

---

# REPLACEMENT PARTS MANUAL

# ECONOMIZER MODELS: ECONCHS-E3-\*, -E5-\*, CHCRV-3

---

## General Notes

- Revised and/or additional pages may be issued from time to time.
- A complete and current manual consists of pages shown in the following contents section.

## Important

- Contact the installing and/or local distributor for all parts requirements. Make sure you have the complete model and serial number available from the unit rating plates.

## Contents

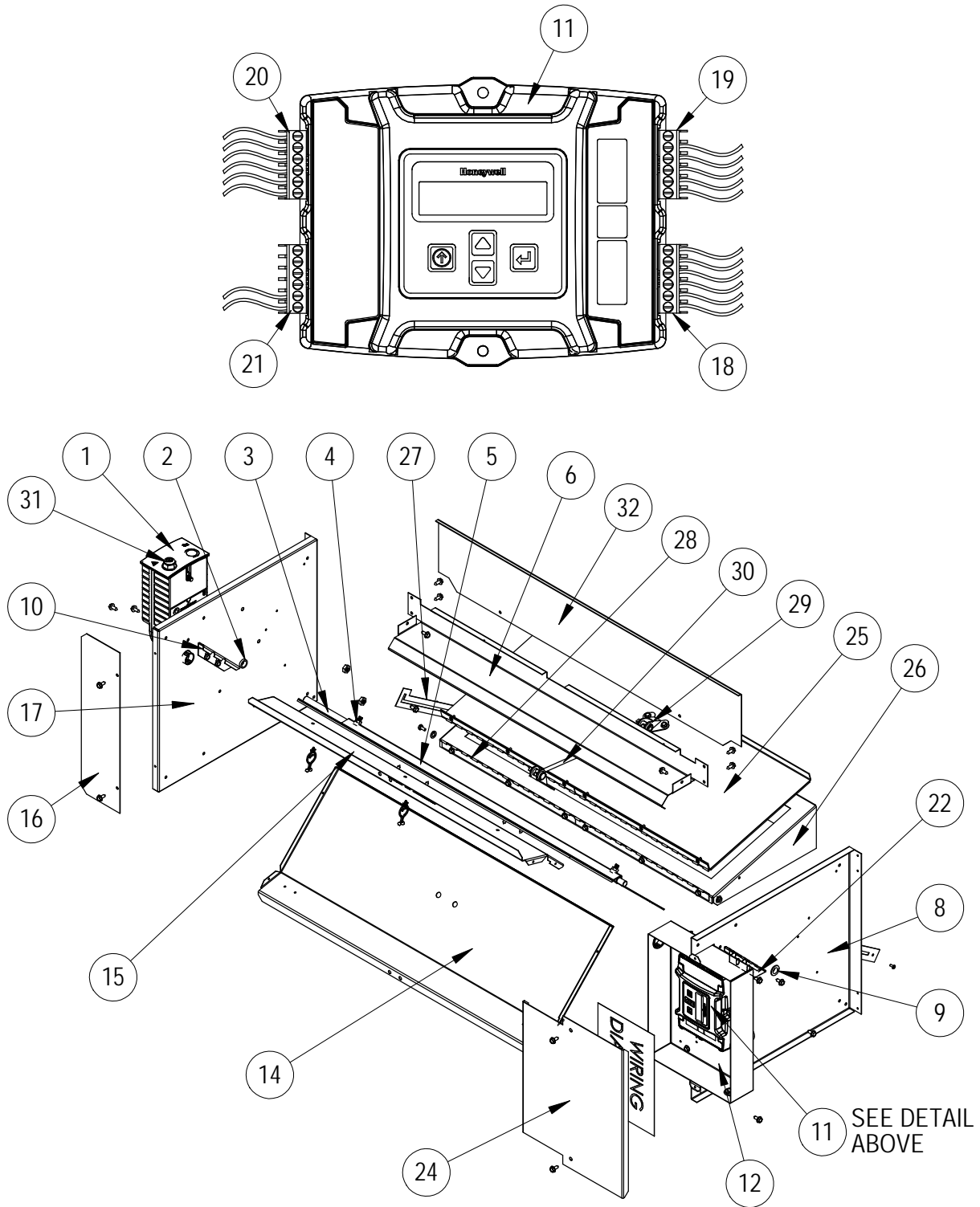
Description	Page
Economizer & Control	
♦ Exploded View .....	2
♦ Usage List .....	3
♦ Exploded View .....	4
♦ Usage List .....	5

---

BMC, Inc.  
Bryan, Ohio 43506

Manual: 2110-698  
Supersedes: **NEW**  
File: Vol. III Tab 19  
Date: 05-30-13

# ECONOMIZER and CONTROL

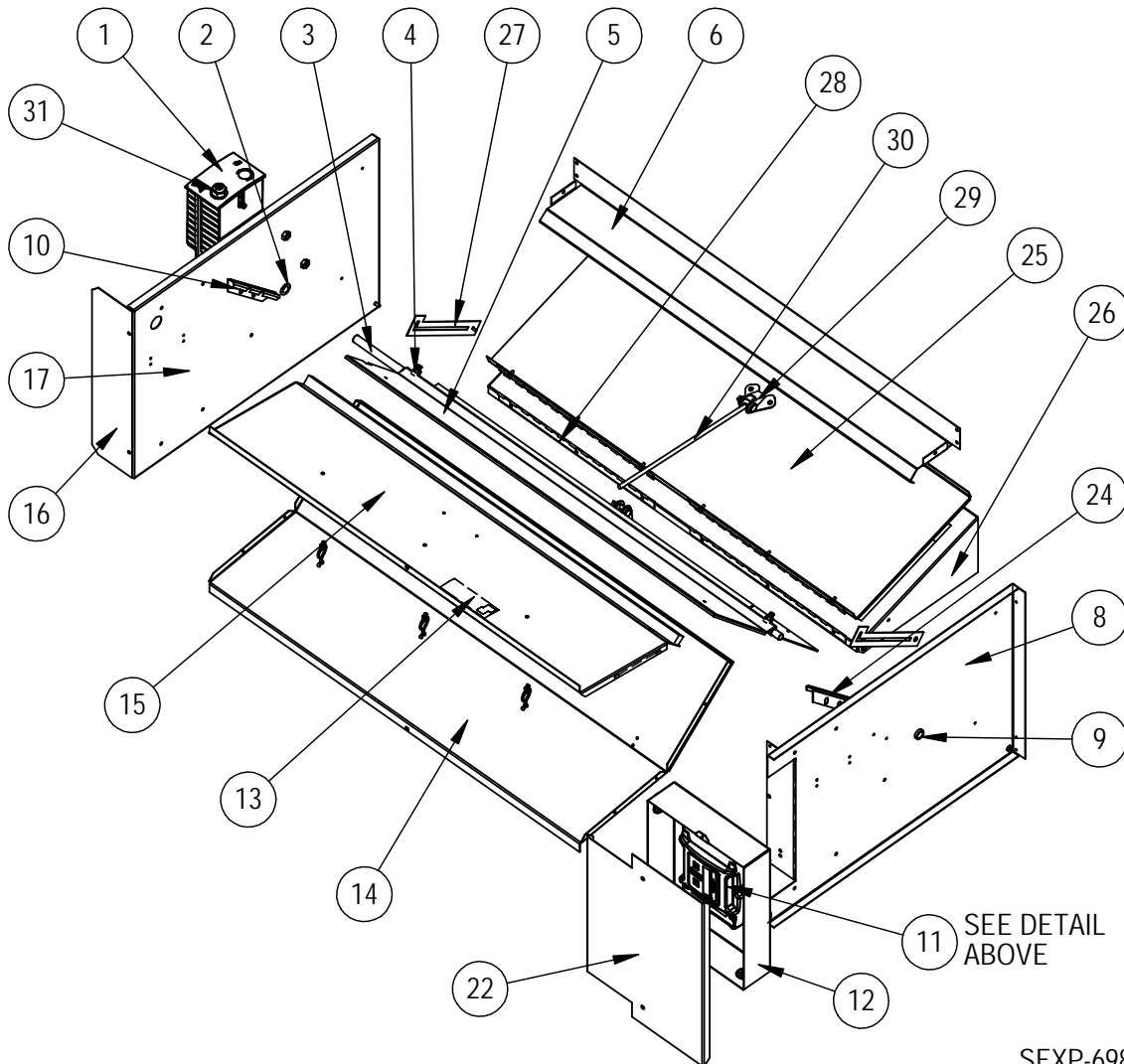
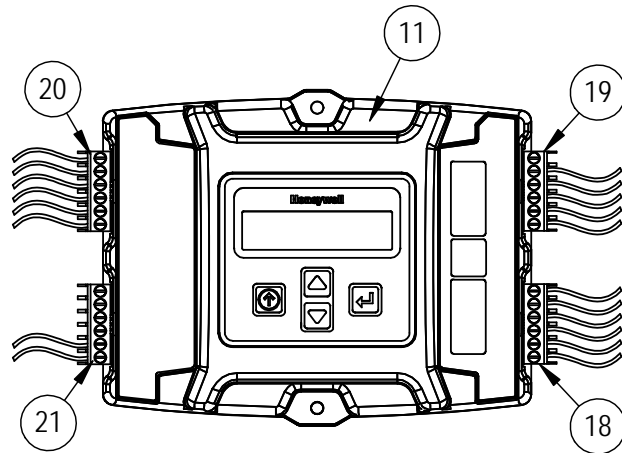


SEXP-699

# ECONOMIZER and CONTROL

Drawing No.	Part No.	Description	ECONCHS-E3-*	
				CHCRV-3
1	8602-059	Direct Coupled Actuator	X	
1	8602-069	Direct Coupled Actuator		X
2	8602-052	1/2" I.D. Bronze Bushing	X	X
3	8602-060	Drive Pin 1/2"	X	X
4	8602-038	Damper Pin with Hardware	X	X
5	S139-297	Damper Blade	X	X
6	105-718	Rear Upper Angle	2	2
8	S101-786	Right Side	X	
8	S101X792	Right Side		X
9	8602-039	Bronze Bushing	X	X
10	S105Y1248	Left Economizer Angle	X	X
11	S8602-056-0003A	Economizer Module - Programmed	X	
12	S137-666	Right Fill Plate	X	
12	137-721	Right Fill Plate		X
13	8602-063	Enthalpy Sensor - Outdoor Air	X	
13A	8602-058	Temperature Sensor - Mixed Air	X	
14	S127-454	Lower Partition/Base	X	X
15	S137-717	Upper Partition	X	X
16	136-635	Left Fill Plate	X	X
17	S101-787	Left Side	X	
17	S101Y792	Left Side		X
18	3000-1417	Wire Harness	X	
19	3000-1382	Wire Harness	X	
20	3000-1395	Wire Harness	X	
21	3000-1384	Wire Harness	X	
22	S105X1248	Right Economizer Angle	X	X
23	105-1247	Return Fill	X	X
24	143-162	Control Cover	X	
25	S139-295	Extension Blade	X	X
26	S139-294	Extension Base	X	X
27	139-296	Locking Plate	2	2
28	5400-002	Hinge	2	2
29	8602-040	Bracket	2	2
30	8602-047	Rod	X	X
31	131-095	Filter Stop Angle	2	2
NS	113-468	Sensor Bracket	X	
NS	8201-141	CRV Control		X

# ECONOMIZER and CONTROL



SEXP-698

# ECONOMIZER and CONTROL

Drawing No.	Part No.	Description	ECONCHS-E5*
1	8602-059	Direct Coupled Actuator	X
2	8602-052	1/2" I.D. Bronze Bushing	X
3	8602-060	Drive Pin 1/2"	X
4	8602-038	Damper Pin with Hardware	X
5	S139-293	Damper Blade	X
6	137-716	Rear Upper Brace	X
8	S101-784	Right Side	X
9	8602-039	Bronze Bushing	X
10	S105Y1248	Left Economizer Angle	X
11	S8602-056-0003A	Economizer Module - Programmed	X
12	S137-666	Right Fill Plate	X
13	8602-063	Enthalpy Sensor - Outdoor Air	X
14	S127-453	Lower Partition/Base	X
15	S137-715	Upper Partition	X
16	137-613	Left Fill Plate	X
17	S101-785	Left Side	X
18	3000-1417	Wire Harness	X
19	3000-1382	Wire Harness	X
20	3000-1395	Wire Harness	X
21	3000-1384	Wire Harness	X
22	143-173	Control Cover	X
25	S139-291	Extension Blade	X
26	S139-290	Extension Base	X
27	138-292	Locking Plate	2
28	5400-002	Hinge	2
29	8602-040	Bracket	2
30	8602-047	Rod	X
31	8611-130	LTF Fitting	X
NS	113-433	Sensor Bracket	X
NS	8602-058	Temperature Sensor - Mixed Air	X
NS	S136-632	Condenser Cover Plate	X