

---

# REPLACEMENT PARTS MANUAL

# ECONOMIZER

MODEL:  
**JIFM-1**

---

## General Notes

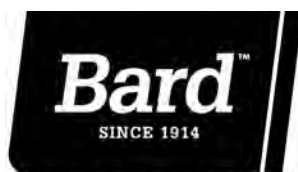
- Revised and/or additional pages may be issued from time to time.
- A complete and current manual consists of pages shown in the following contents section.

## Contents

| Description                       | Page |
|-----------------------------------|------|
| Functional and Cabinet Components |      |
| ◆ Exploded View.....              | 2    |
| ◆ Usage List .....                | 3    |

## Important

- Contact the installing and/or local Bard distributor for all parts requirements. Make sure you have the complete model and serial number available from the unit rating plates.

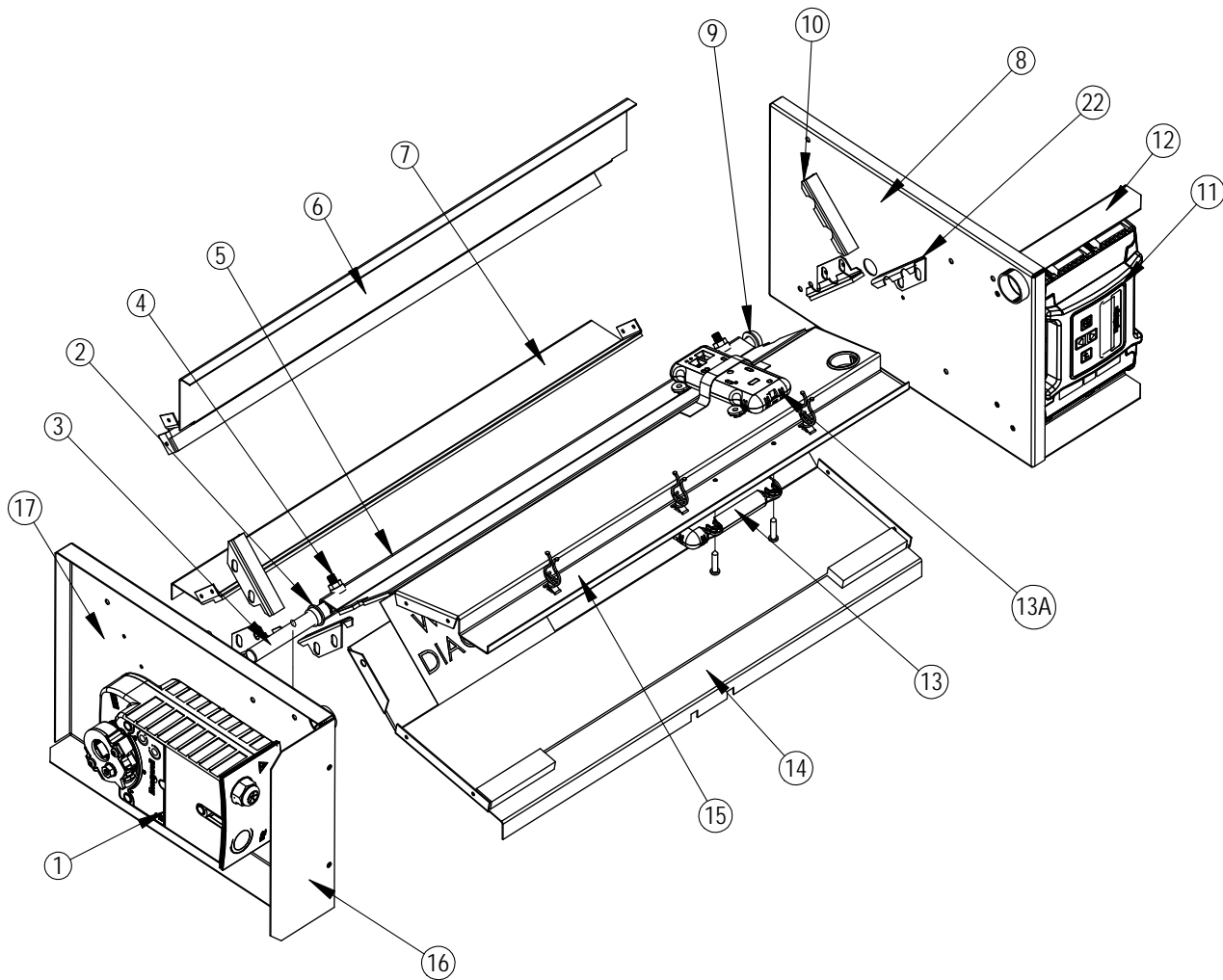
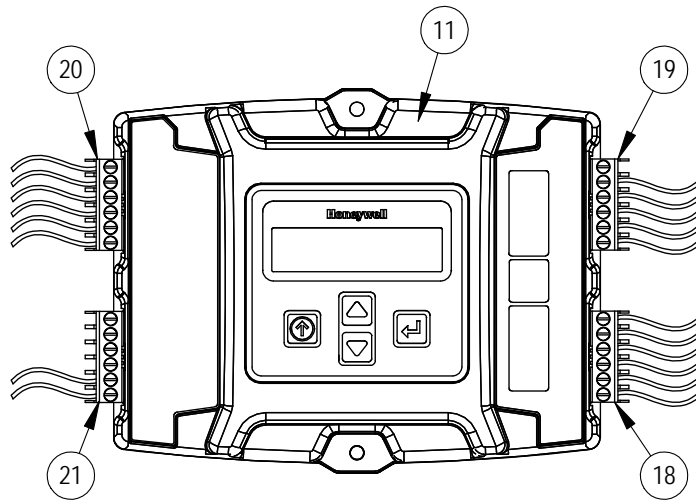


Bard Manufacturing Company, Inc.  
Bryan, Ohio 43506  
*Since 1914...Moving ahead, just as planned.*

Manual: 2110-699  
Supersedes: **NEW**  
File Tab 19  
Date: 09-10-13


**Climate Control Solutions**

# ECONOMIZER & CONTROL



SEXP-703

# ECONOMIZER & CONTROL

| Drawing No. | Part No.        | Description                    | JIFMS-1  |
|-------------|-----------------|--------------------------------|---|
| 1           | 8602-059        | Direct Coupled Actuator        | X   |
| 2           | 8602-052        | 1/2" I.D. Bronze Bushing       | X   |
| 3           | 8602-060        | Drive Pin 1/2"                 | X   |
| 4           | 8602-038        | Damper Pin with Hardware       | 2   |
| 5           | S139-269        | Damper Blade                   | X   |
| 6           | 105-1253        | Rear Upper Partition           | 2   |
| 7           | 127-415         | Rear Lower Partition           | 2   |
| 8           | S101-634        | Right Side                     | X   |
| 9           | 8602-039        | Bronze Bushing                 | X   |
| 10          | S105Y1254       | Left Economizer Angle          | 3   |
| 11          | S8602-056-0003A | Economizer Module - Programmed | X   |
| 12          | 137-639         | Right Fill Plate               | X   |
| 13          | 8602-063        | Enthalpy Sensor - Outdoor Air  | X   |
| 13A         | 8602-058        | Temperature Sensor - Mixed Air | X   |
| 14          | 137-637         | Lower Partition/Base           | X   |
| 15          | 137-640         | Upper Partition                | X   |
| 16          | 136-638         | Left Fill Plate                | X   |
| 17          | S101-633        | Left Side                      | X   |
| 18          | 3000-1432       | Wire Harness                   | X   |
| 19          | 3000-1433       | Wire Harness                   | X   |
| 20          | 3000-1434       | Wire Harness                   | X   |
| 21          | 3000-1435       | Wire Harness                   | X   |
| 22          | S105X1254       | Right Economizer Angle         | 3   |
| NS          | 7003-068        | Mist Eliminator                | X   |