

# REPLACEMENT PARTS MANUAL

## WATER SOURCE HEAT PUMP MODELS WPV24, WPV30B, WPV36B

Manual 2110-726

Revision B

Date 11-05-91

Supersedes 9-01-90

\*\*\*\*\*  
\* GENERAL NOTES \*  
\*\*\*\*\*

\*Revised and/or additional pages may be issued from time to time.  
\*A complete and current manual consists of pages dated as shown in the following index.

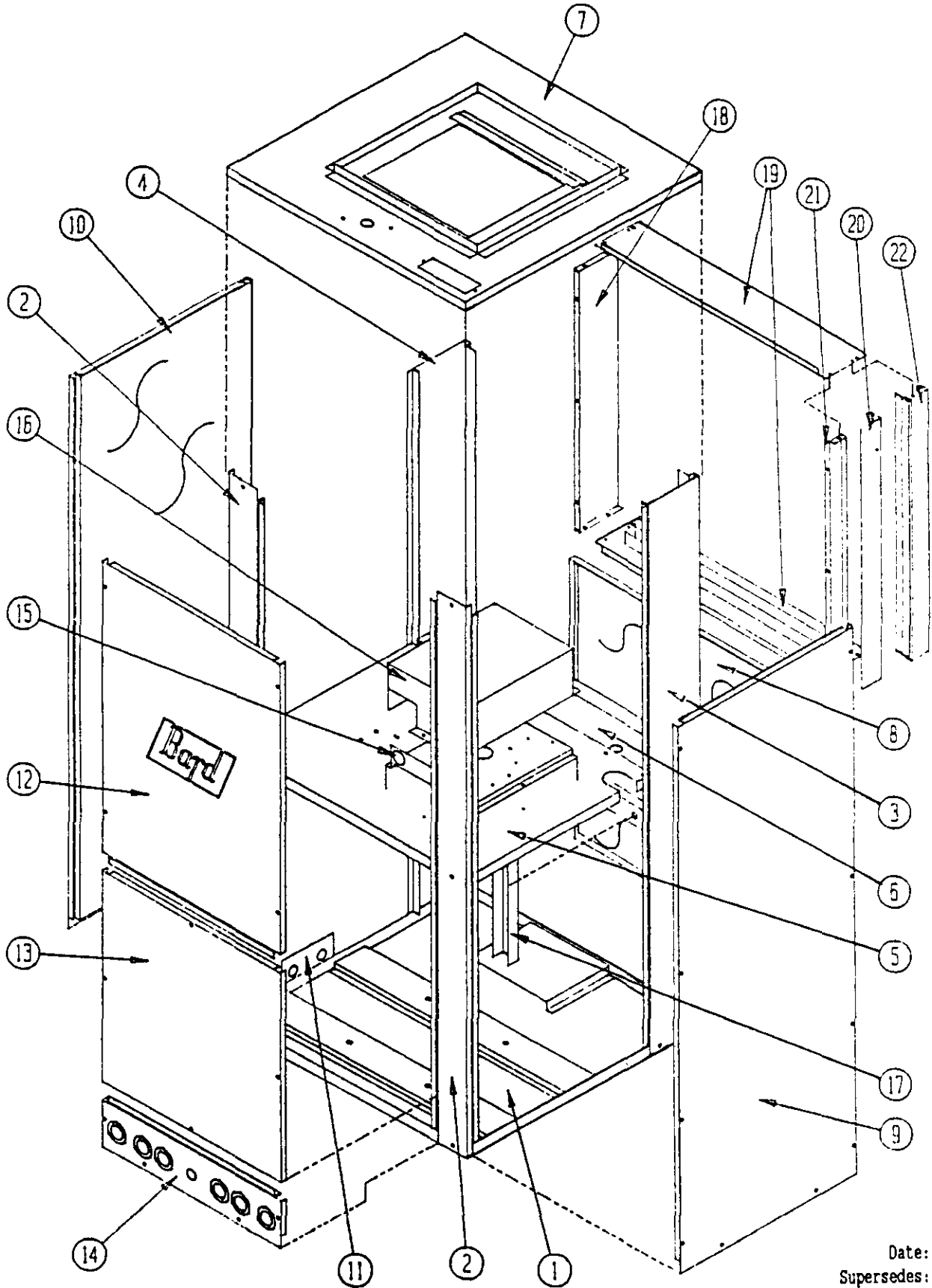
\*\*\*\*\*  
\*\* INDEX \*\*  
\*\*\*\*\*

| <u>Page Description</u>              | <u>Page</u> | <u>Date</u> | <u>Supersedes</u> |
|--------------------------------------|-------------|-------------|-------------------|
| Cabinet Components--Exploded View    | 1           | 7-11-89     |                   |
| " " --Usage List                     | 2           | 11-05-91    | 7-11-89           |
| Functional Components--Exploded View | 3           | 11-05-91    | 7-11-89           |
| " " --Usage List                     | 4           | 11-05-91    | 9-01-90           |
| Control Panel--Layout View           | 5           | 7-11-89     |                   |
| " " --Usage List                     | 6           | 11-05-91    | 9-01-90           |

\*\*\*\*\*  
\*\*\* IMPORTANT \*\*\*  
\*\*\*\*\*

Contact the installing and/or local Bard distributor for all parts requirements. Make sure you have the complete model and serial number available from the unit rating plate.

CABINET COMPONENTS



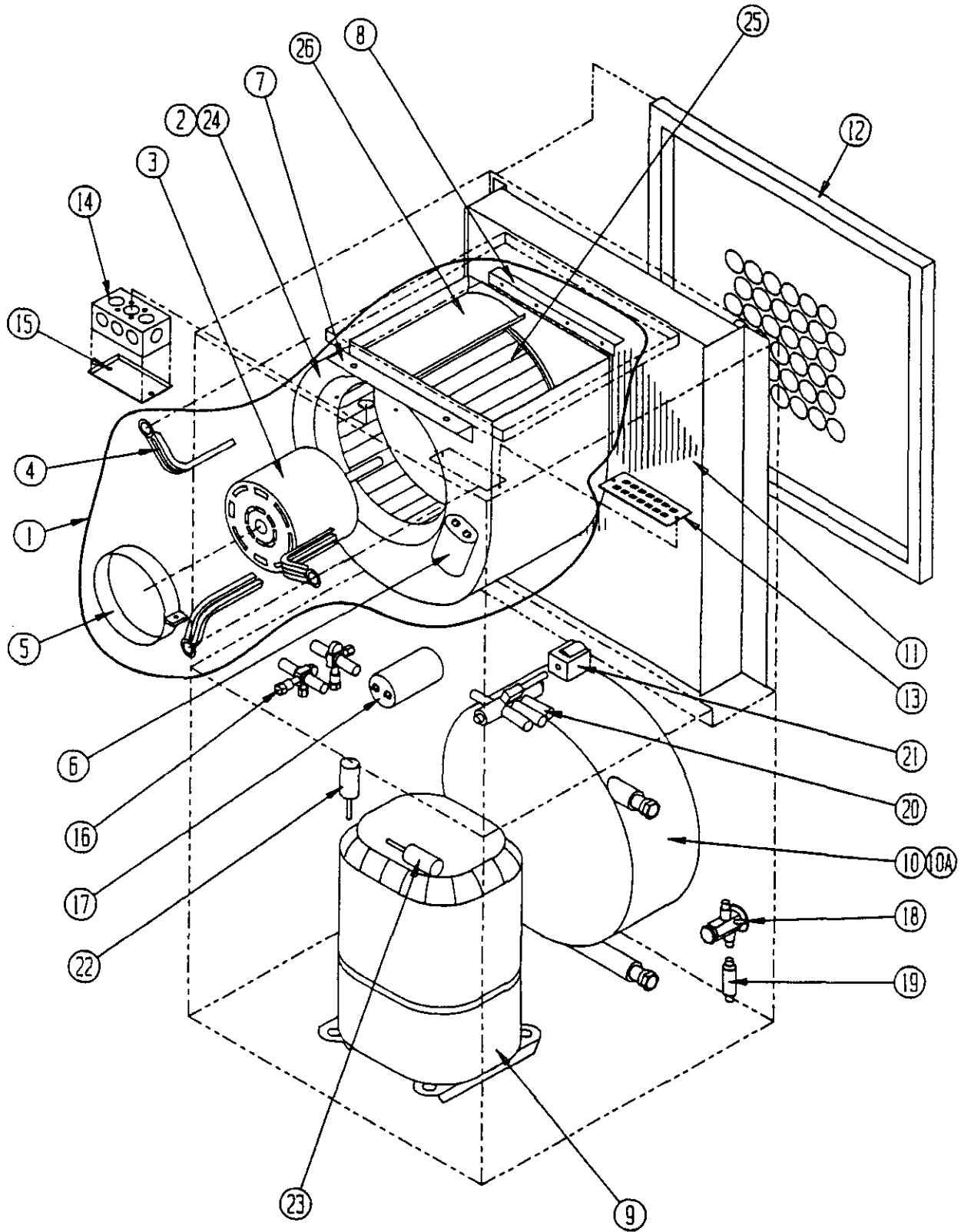
Date: 7-11-8  
Supersedes:

CABINET COMPONENTS

| Dwg. No. | Part No. | Description                              | WPV24 | WPV30B | WPV36B |
|----------|----------|--|-------|--------|--------|
| 1        | 127-145  | Base Weld Assembly                       | X     | X      | X      |
| 2        | 548-003  | Front Corner Assembly                    | (2)   | (2)    | (2)    |
| 3        | 549X001  | Right Rear Corner Assembly               | X     | X      | X      |
| 4        | 549Y001  | Left Rear Corner Assembly                | X     | X      | X      |
| 5        | 520-118  | Partition Assembly                       | X     | X      | X      |
| 6        | 523-004  | Water Pan Assembly                       | X     | X      | X      |
| 7        | 507-110  | Top Assembly                             | X     | X      | X      |
| 8        | 509-072  | Lower Back Assembly                      | X     | X      | X      |
| 9        | 552-006  | Right Access Assembly                    | X     | X      | X      |
| 10       | 552-157  | Left Access Assembly                     | X     | X      | X      |
| 11       | 156-022  | Tubing Entrance Assembly                 | X     | X      | X      |
| 12       | 514-004  | Top Front Assembly                       | X     | X      | X      |
| 13       | 514-005  | Bottom Front Assembly                    | X     | X      | X      |
| 14       | 556-020  | Water Entrance Panel Assembly            | X     | X      | X      |
| 15       | 116-114  | Control Panel                            | X     | X      | X      |
| 16       | 132-006  | Control Panel Cover                      | X     | X      | X      |
| 17       | 140-143  | Support--Water Coil Hold Down            | X     | X      | X      |
| 18       | 130-008  | Filter Rack Side                         | X     | X      | X      |
| 19       | 131-006  | Filter Rack Top and Bottom Weld Assembly | X     | X      | X      |
| 20       | 130-005  | Filter Rack Door                         | X     | X      | X      |
| 21       | 130-009  | Filter Rack Side                         | (2)   | (2)    | (2)    |
| 22       | 131-007  | Filter Rack Side Weld Assembly           | X     | X      | X      |

Date: 11-05-91  
 Supersedes: 7-11-89

FUNCTIONAL COMPONENTS



Date: 11-05-91  
Supersedes: 7-11-89

FUNCTIONAL COMPONENTS

|                | Part No. | Description                                       | WPV24 | WPV30B | WPV36B |
|----------------|----------|---|-------|--------|--------|
| 1              | 900-048  | Blower Assembly Complete (See Note)               |       | A      | A      |
| 1              | 900-162  | Blower Assembly Complete (See Note)               |       | B      | B      |
| 1              | 900-172  | Blower Assembly Complete                          | x     |        |        |
| 2              | 5152-046 | Blower Housing with Wheel and Diffuser            |       | x      | x      |
| 3              | 8104-008 | Motor 1/4 HP                                      | x     |        |        |
| 3              | 8105-010 | Motor 1/3 h.p. (See Note)                         |       | A      | A      |
| 3              | 8105-022 | Motor 1/3 h.p. (See Note)                         |       | B      | B      |
| 4              | 8200-036 | Motor Mount Arm with Grommets                     | 3     | 3      | 3      |
| 5              | 8200-033 | Motor Mount Band                                  | x     | x      | x      |
| 6              | 8552-002 | Capacitor 5 MFD--370 V--1-1/4" Oval (See Note)    | x     | A      | A      |
| 6              | 8552-004 | Capacitor 7-1/2 MFD--370V--1-1/4" Oval (See Note) |       | B      | B      |
| 7              | 104-503  | Angle--Front                                      |       | x      | x      |
| 7              | 104-865  | Angle--Front                                      | x     |        |        |
| 8              | 104-504  | Angle--Rear                                       | x     | x      | x      |
| 9              | 8000-052 | Compressor CRG3-0250-PFV-270                      |       |        | x      |
| 9              | 8000-101 | Compressor 703283-02-1074                         |       | x      |        |
| 9              | 8000-129 | Compressor ZR18K1-PFV-230                         | x     |        |        |
| 10             | 917-0018 | Water Coil Assembly w/Insulation                  |       | x      |        |
| 10             | 917-0017 | Water Coil Assembly w/Insulation                  |       |        | x      |
| 10             | 917-0024 | Water Coil Assembly W/Insulation                  | x     |        |        |
| 10A            | 5020-026 | Insulation Jacket Only                            | x     | x      | x      |
| 11             | 5060-01  | Evaporator Coil                                   | x     | x      | x      |
| 12             | 7004-01  | Filter 22x22x1                                    | x     | x      | x      |
| 13             | 8607-019 | Terminal Board 24V                                | x     | x      | x      |
| 14             | 8614-002 | Outlet Box 2" x 4"                                | x     | x      | x      |
| 15             | 8614-003 | Blank Cover 2" x 4"                               | x     | x      | x      |
| 16             | 5651-055 | Full Flow Valve 3/8"                              | 2     | 2      |        |
| 16             | 5651-056 | Full Flow Valve 1/2"                              |       |        | 2      |
| 17             | 8552-027 | Capacitor 25/370V                                 | x     |        |        |
| 17             | 8552-035 | Capacitor 40/370V 2" round                        |       |        | x      |
| 17             | 8552-045 | Capacitor 30/370 1-3/4" R                         |       | x      |        |
| 18             | 5651-066 | Expansion Valve                                   |       | x      | x      |
| 18             | 5651-085 | Expansion Valve                                   | x     |        |        |
| 19             | 5210-010 | Strainer  | (2)   | (2)    | (2)    |
| 20             | 5650-005 | Reversing Valve                                   | x     | x      |        |
| 20             | 5650-009 | Reversing Valve                                   |       |        | x      |
| 21             | 5650-008 | Reversing Valve Solenoid                          | x     | x      | x      |
| 22             | 8406-045 | Low Pressure Switch                               | x     | x      | x      |
| 23             | 8406-016 | High Pressure Switch                              | x     | x      | x      |
| 24             | 151-100  | Blower Housing                                    | x     |        |        |
| 25             | 5152-003 | Blower Wheel                                      | x     |        |        |
| 26             | 144-165  | Blower Diffuser                                   | x     |        |        |
| OPTIONAL ITEMS |          |   |       |        |        |
|                | 8603-016 | Solenoid Valve 24V                                | x     | x      | x      |
|                | 8603-010 | Constant Flow Valve 4 GPM                         | x     | x      |        |
|                | 8603-011 | Constant Flow Valve 5 GPM                         |       |        | x      |
|                | 8604-080 | Duct Heater 5KW                                   | x     | x      | x      |
|                | 8604-081 | Duct Heater 9.8KW                                 | x     | x      | x      |
|                | 8604-082 | Duct Heater 14.7KW                                | x     | x      | x      |
|                | 8604-083 | Duct Heater 19.2KW                                | x     | x      | x      |

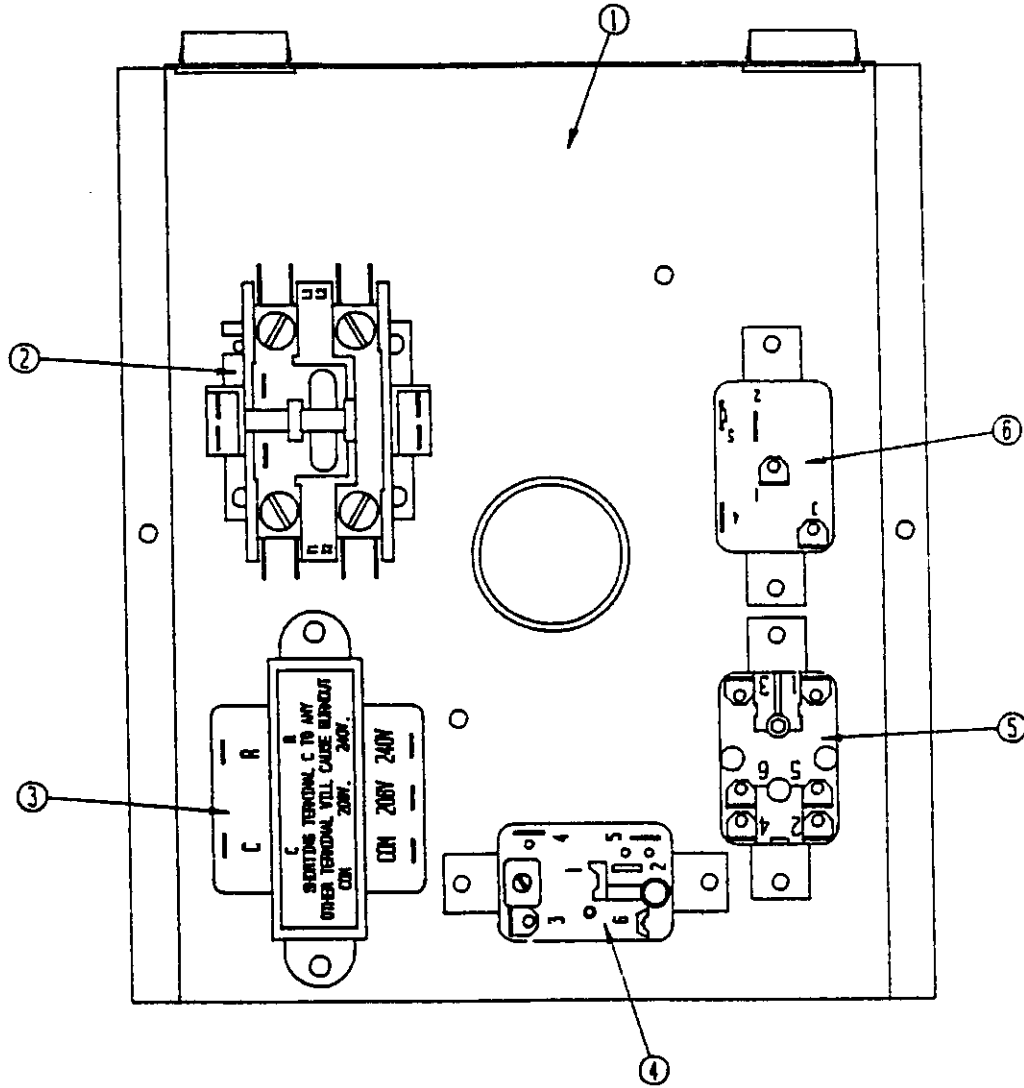
NOTE A: For units produced before date code L90.

NOTE B: For units produced with date code L90 and after.

Date: 11-05-91  
Supersedes: 9-01-90

2110-726

CONTROL PANEL



Date: 7-11-85  
Supersedes:

CONTROL PANEL

| Item | Part No. | Description                                       | WPV24 | WPV30B | WPV36B |
|------|----------|---|-------|--------|--------|
| 1    | 116-114  | Control Panel                                     | X     | X      | X      |
| 2    | 8401-007 | Compressor Contactor                              |       | X      | X      |
| 2    | 8401-026 | Compressor Contactor 1P25A With 5 Min. Time Delay | X     |        |        |
| 3    | 8407-035 | Transformer                                       | X     | X      | X      |
| 4    | 8201-034 | Lockout Relay                                     | X     | X      | X      |
| 5    | 8201-015 | Emergency Heat Relay                              | X     | X      | X      |
| 6    | 8201-008 | Blower Relay                                      | X     | X      | X      |
|      | 4054-110 | Wiring Diagram (See Note)                         |       | A      | A      |
|      | 4054-112 | Wiring Diagram (See Note)                         |       | B      | B      |
|      | 4054-113 | Wiring Diagram                                    | X     |        |        |

NOTE A: For units produced before date code L90.

NOTE B: For units produced with date code L90 and after.

Date: 11-05-91  
Supersedes: 9-01-90

2110-726  
Page: 6

