

REPLACEMENT PARTS MANUAL

WATER SOURCE HEAT PUMP

MODELS: WPV53B, WPV62B

Manual 2110-727

Revision C

Date 04-01-93

Supersedes 07-31-92

* GENERAL NOTES *

*Revised and/or additional pages may be issued from time to time.
*A complete and current manual consists of pages dated as shown in the following index.

** INDEX **

| <u>Page Description</u> | <u>Page</u> | <u>Date</u> | <u>Supersedes</u> |
|--------------------------------------|-------------|-------------|-------------------|
| Cabinet Components--Exploded View | 1 | 08-07-92 | 07-31-92 |
| " " --Usage List | 2 | 07-31-92 | 07-11-89 |
| Functional Components--Exploded View | 3 | 07-11-89 | |
| " " --Usage List | 4 | 04-01-93 | 07-11-89 |
| Control Panel--Layout View | 5 | 07-11-89 | |
| " " --Usage List | 6 | 07-11-89 | |

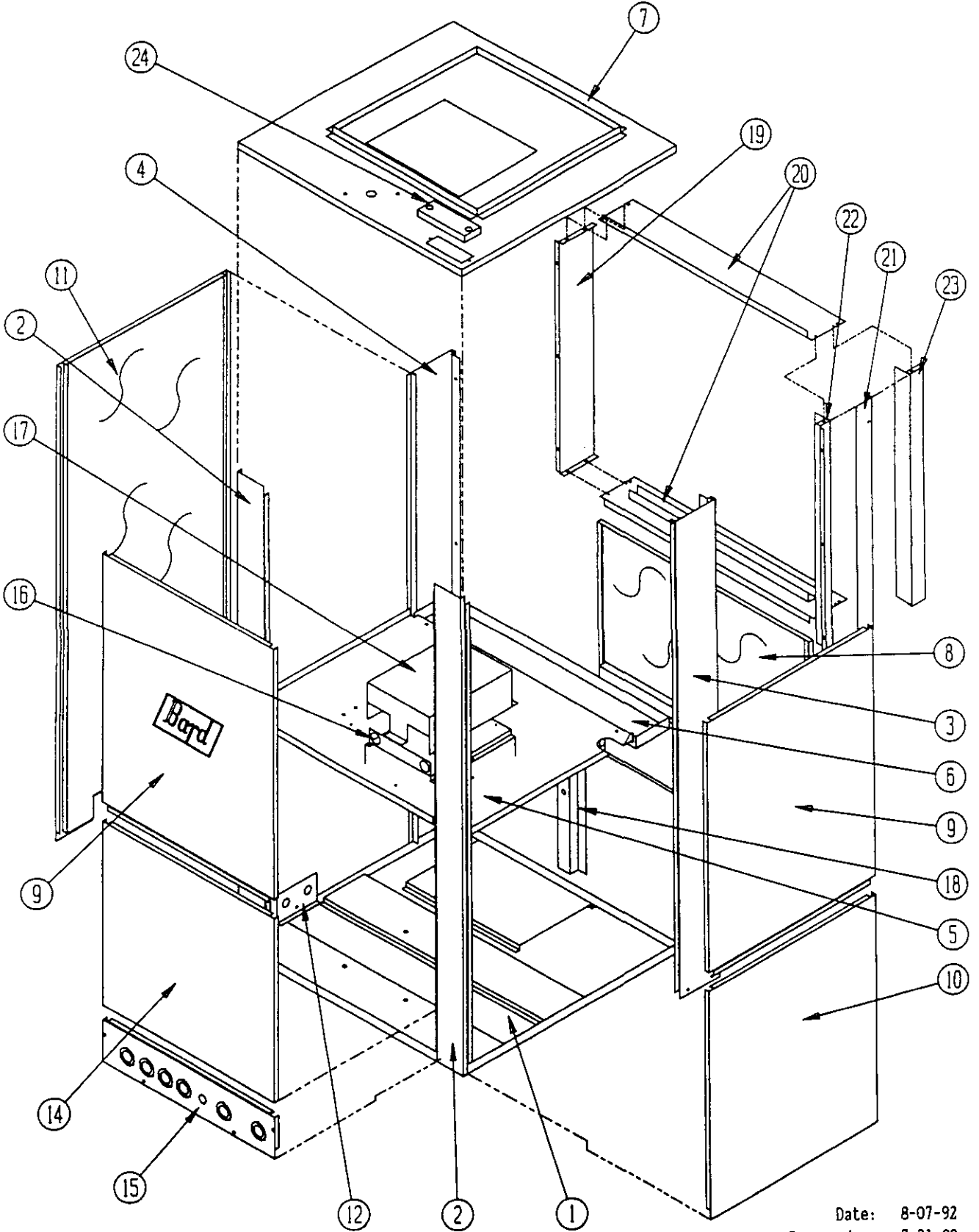
*** IMPORTANT ***

Contact the installing and/or local Bard distributor for all parts requirements. Make sure you have the complete model and serial number available from the unit rating plate.

BARD MANUFACTURING COMPANY

BRYAN, OHIO 43506

CABINET COMPONENTS



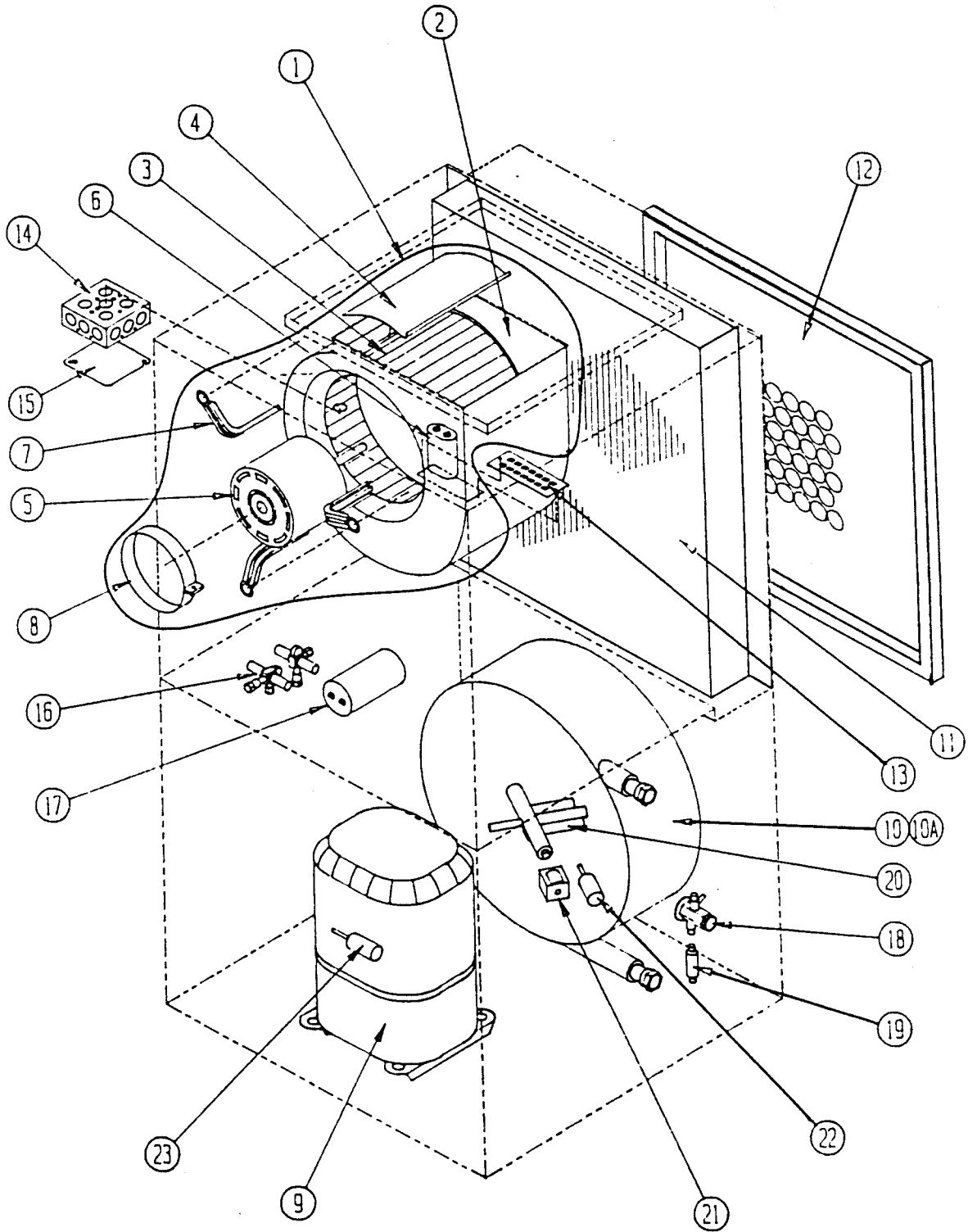
Date: 8-07-92
Supersedes: 7-31-92

CABINET COMPONENTS

| Dwg. No. | Part No. | Description | WPV53B | WPV62B |
|----------|----------|--|--------|--------|
| 1 | 127-008 | Base Weld Assembly | X | X |
| 2 | 548-006 | Front Corner Assembly | (2) | (2) |
| 3 | 549X004 | Right Rear Corner Assembly | X | X |
| 4 | 549Y004 | Left Rear Corner Assembly | X | X |
| 5 | 520-132 | Partition Assembly | X | X |
| 6 | 523-005 | Drain Pan Assembly | X | X |
| 7 | 507-114 | Top Assembly | X | X |
| 8 | 509-074 | Lower Back Assembly | X | X |
| 9 | 514-006 | Front and Right Top Panel Assembly | (2) | (2) |
| 10 | 500-009 | Bottom Right Panel Assembly | X | X |
| 11 | 500-192 | Left Side Assembly | X | X |
| 12 | 156-022 | Tubing Entrance Panel | X | X |
| 14 | 514-007 | Bottom Front Assembly | X | X |
| 15 | 156-021 | Water Entrance Panel | X | X |
| 16 | 116-114 | Control Panel | X | X |
| 17 | 132-006 | Control Panel Cover | X | X |
| 18 | 140-026 | Support--Water Coil Hold Down | X | X |
| 19 | 130-013 | Filter Rack Side | X | X |
| 20 | 131-011 | Filter Rack Top and Bottom Weld Assembly | X | X |
| 21 | 130-010 | Filter Rack Door | X | X |
| 22 | 130-014 | Filter Rack Side | X | X |
| 23 | 131-012 | Filter Rack Side Weld Assembly | X | X |
| 24 | 132-112 | Terminal Board Cover | X | X |

Date: 7-31-92
 Supersedes: 7-11-89

FUNCTIONAL COMPONENTS



Date: 7-11-89
Supersedes:

FUNCTIONAL COMPONENTS

| Dwg. No. | Part No. | Description | WPV53B | WPV62B |
|----------------|-----------|---------------------------------------|--------|--------|
| 1 | 900-140 | Blower Assembly Complete | X | X |
| 2 | 151-070 | Blower Housing | X | X |
| 3 | 5152-010 | Blower Wheel DD10-7 | X | X |
| 4 | 144-125 | Diffuser | X | X |
| 5 | 8106-017 | Blower Motor--1/2 h.p. | X | X |
| 6 | 8552-004 | Capacitor 7-1/2 / 370V 1-1/4 Oval | X | X |
| 7 | 8200-034 | Motor Mount Arm with Grommet | 3 | 3 |
| 8 | 8200-033 | Motor Mount Band | X | X |
| 9 | 8000-072 | Compressor AV144ET-001-A4 | X | |
| 9 | 8000-106 | Compressor AV188ET-038-A4 | | X |
| 10 | 917-0010 | Water Coil Assembly w/Insulation | X | |
| 10 | 917-0011 | Water Coil Assembly w/Insulation | | X |
| 10A | 5021-0336 | Insulation Jacket Only | X | X |
| 11 | 5060-029 | Evaporator Coil | X | X |
| 12 | 7004-018 | Filter 25x25x1 | X | X |
| 13 | 8607-019 | Terminal Block | X | X |
| 14 | 8614-001 | Square Outlet Box 4" | X | X |
| 15 | 8614-029 | Blank Cover 4" x 4" | X | X |
| 16 | 5651-056 | Full Flow Valve 1/2" | 2 | 2 |
| 17 | 8552-030 | Capacitor--Comp. 40/440V 2-1/2" round | X | |
| 17 | 8552-031 | Capacitor--Comp. 45/440V 2-1/2" round | | X |
| 18 | 5651-067 | Expansion Valve | X | |
| 18 | 5651-068 | Expansion Valve | | X |
| 19 | 5210-010 | Strainer | (2) | (2) |
| 20 | 5650-006 | Reversing Valve (See Note A) | X | X |
| 20 | 5650-015 | Reversing Valve (See Note B) | X | X |
| 21 | 5650-008 | Solenoid Coil (See Note A) | X | X |
| 21 | 5650-023 | Solenoid Coil (See Note B) | X | X |
| 22 | 8406-065 | Low Pressure Switch | X | X |
| 23 | 8406-064 | High Pressure Switch | X | X |
| OPTIONAL ITEMS | | | | |
| | 8603-006 | Solenoid Valve 24V | X | X |
| | 8603-007 | Constant Flow Valve 6 GPM | X | |
| | 8603-008 | Constant Flow Valve 8 GPM | | X |
| | 8604-080 | Duct Heater 5KW | X | X |
| | 8604-081 | Duct Heater 9.8KW | X | X |
| | 8604-082 | Duct Heater 14.7KW | X | X |
| | 8604-083 | Duct Heater 19.2KW | X | X |

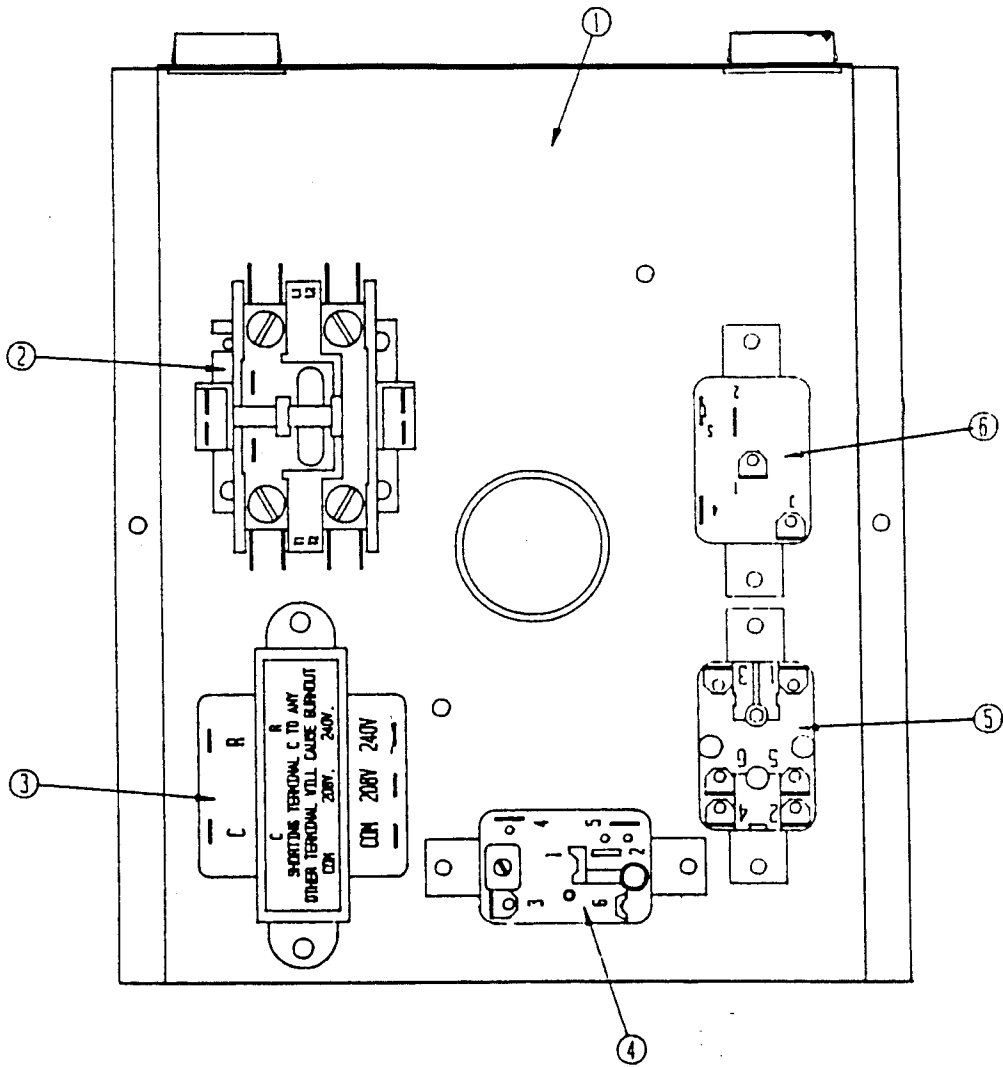
NOTE A: For units produced before date code D93.

NOTE B: For units produced before date code D93 and after.

Date: 04-01-93
Supersedes: 07-11-89

2110-727
Page: 4

CONTROL PANEL



Date: 7-11-89
Supersedes:

CONTROL PANEL

| Item | Part No. | Description | WPV53B | WPV62B |
|------|----------|----------------------|--------|--------|
| 1 | 116-114 | Control Panel | X | X |
| 2 | 8401-003 | Compressor Contactor | | X |
| 2 | 8401-007 | Compressor Contactor | X | |
| 3 | 8407-035 | Transformer | X | X |
| 4 | 8201-034 | Lockout Relay | X | X |
| 5 | 8201-015 | Emergency Heat Relay | X | X |
| 6 | 8201-008 | Blower Relay | X | X |

Date: 7-11-89
 Supersedes: