

REPLACEMENT PARTS MANUAL

WATER SOURCE HEAT PUMP MODELS WPV53B, WPV62B

Manual 2110-727

Revision --

Date 7-11-89

Supersedes

* GENERAL NOTES *

*Revised and/or additional pages may be issued from time to time.
*A complete and current manual consists of pages dated as shown in the following index.

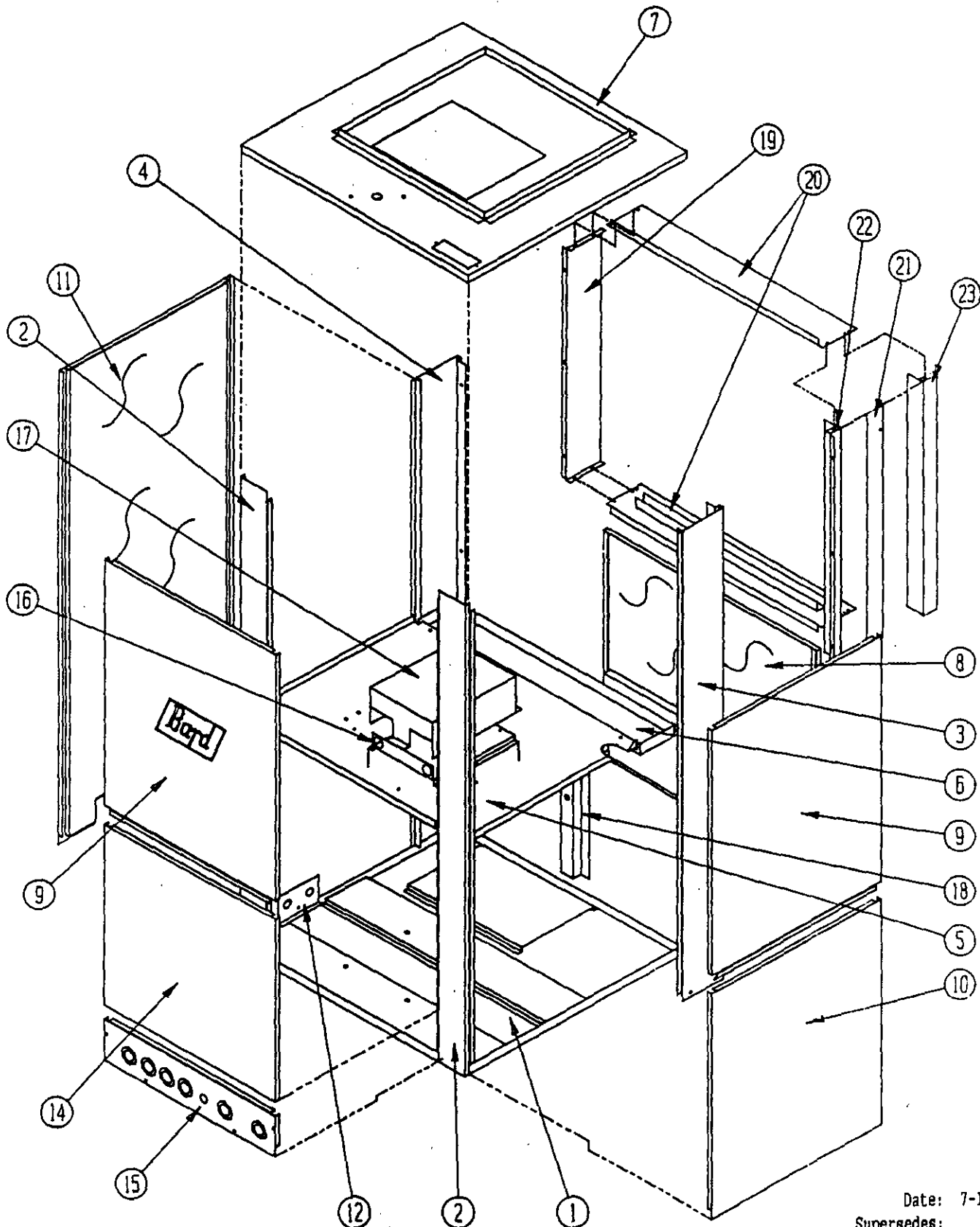
** INDEX **

<u>Page Description</u>	<u>Page</u>	<u>Date</u>	<u>Supersedes</u>
Cabinet Components--Exploded View	1	7-11-89	
" " --Usage List	2	7-11-89	
Functional Components--Exploded View	3	7-11-89	
" " --Usage List	4	7-11-89	
Control Panel--Layout View	5	7-11-89	
" " --Usage List	6	7-11-89	

*** IMPORTANT ***

Contact the installing and/or local Bard distributor for all parts requirements. Make sure you have the complete model and serial number available from the unit rating plate.

CABINET COMPONENTS



Date: 7-11-89
Supersedes:

CABINET COMPONENTS

Dwg. No.	Part No.	Description	WPV53B	WPV62B
1	127-008	Base Weld Assembly	X	X
2	548-006	Front Corner Assembly	(2)	(2)
3	549X004	Right Rear Corner Assembly	X	X
4	549T004	Left Rear Corner Assembly	X	X
5	520-132	Partition Assembly	X	X
6	523-005	Drain Pan Assembly	X	X
7	507-114	Top Assembly	X	X
8	509-074	Lower Back Assembly	X	X
9	514-006	Front and Right Top Panel Assembly	(2)	(2)
10	500-009	Bottom Right Panel Assembly	X	X
11	500-192	Left Side Assembly	X	X
12	156-022	Tubing Entrance Panel	X	X
14	514-007	Bottom Front Assembly	X	X
15	156-021	Water Entrance Panel	X	X
16	116-114	Control Panel	X	X
17	132-006	Control Panel Cover	X	X
18	140-026	Support--Water Coil Hold Down	X	X
19	130-013	Filter Rack Side	X	X
20	131-011	Filter Rack Top and Bottom Weld Assembly	X	X
21	130-010	Filter Rack Door	X	X
22	130-014	Filter Rack Side	X	X
23	131-012	Filter Rack Side Weld Assembly	X	X

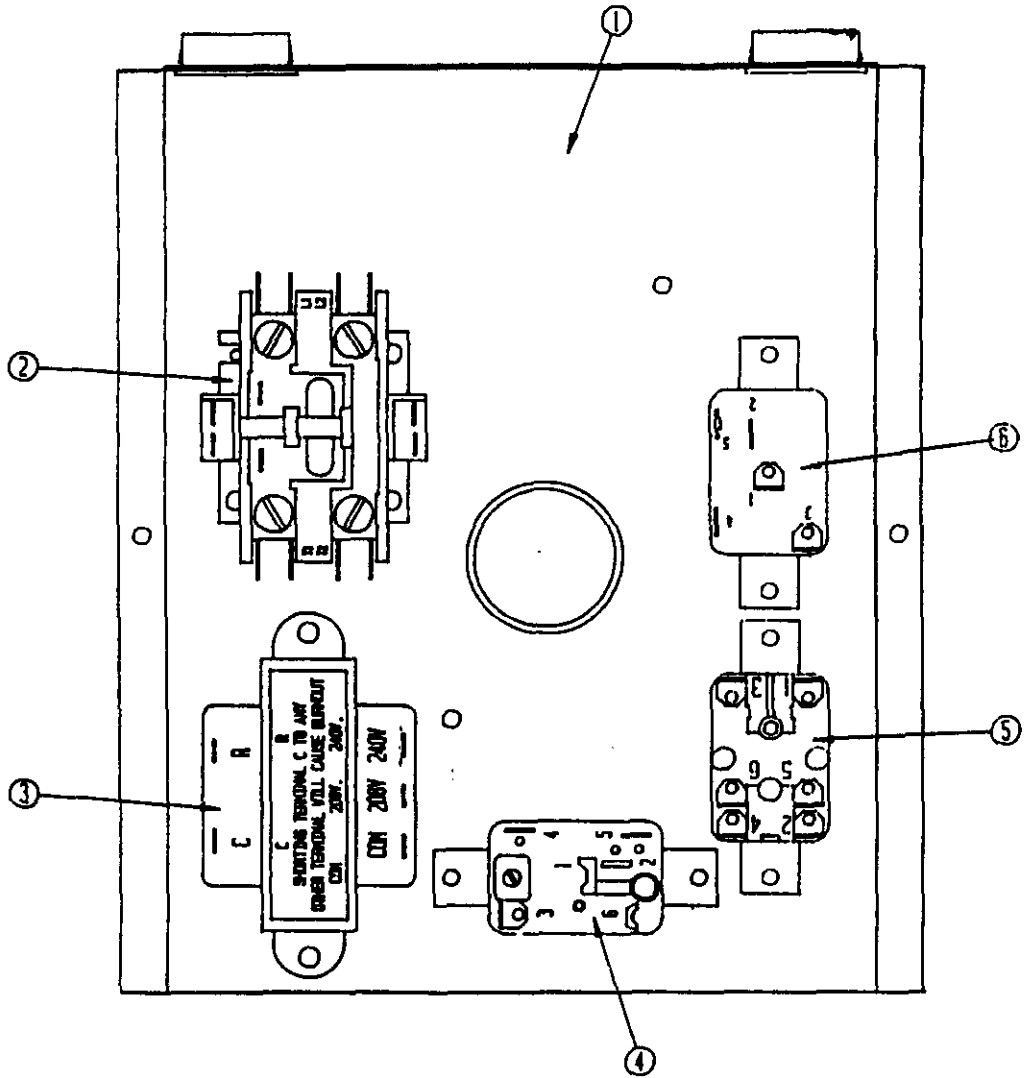
Date: 7-11-89
Supersedes:

FUNCTIONAL COMPONENTS

Dwg. No.	Part No.	Description	WPV53B	WPV62B
1	900-140	Blower Assembly Complete	X	X
2	151-070	Blower Housing	X	X
3	5152-010	Blower Wheel DD10-7	X	X
4	144-125	Diffuser	X	X
5	8106-017	Blower Motor--1/2 h.p.	X	X
6	8552-004	Capacitor 7-1/2 / 370V 1-1/4 Oval	X	X
7	8200-034	Motor Mount Arm with Grommet	3	3
8	8200-033	Motor Mount Band	X	X
9	8000-072	Compressor AV144ET-001-A4	X	
9	8000-106	Compressor AV188ET-038-A4		X
10	917-0010	Water Coil Assembly w/Insulation	X	
10	917-0011	Water Coil Assembly w/Insulation		X
10A	5021-0336	Insulation Jacket Only	X	X
11	5060-029	Evaporator Coil	X	X
12	7004-018	Filter 25x25x1	X	X
13	8607-019	Terminal Block	X	X
14	8614-001	Square Outlet Box 4"	X	X
15	8614-029	Blank Cover 4" x 4"	X	X
16	5651-056	Full Flow Valve 1/2"	2	2
17	8552-030	Capacitor--Comp. 40/440V 2-1/2" round	X	
17	8552-031	Capacitor--Comp. 45/440V 2-1/2" round		X
18	5651-067	Expansion Valve	X	
18	5651-068	Expansion Valve		X
19	5210-010	Strainer	(2)	(2)
20	5650-006	Reversing Valve	X	X
21	5650-008	Solenoid Coil	X	X
22	8406-045	Low Pressure Switch	X	X
23	8406-016	High Pressure Switch	X	X
OPTIONAL ITEMS				
	8603-006	Solenoid Valve 24V	X	X
	8603-007	Constant Flow Valve 6 GPM	X	
	8603-008	Constant Flow Valve 8 GPM		X
	8604-080	Duct Heater 5KW	X	X
	8604-081	Duct Heater 9.8KW	X	X
	8604-082	Duct Heater 14.7KW	X	X
	8604-083	Duct Heater 19.2KW	X	X

Date: 7-11-89
Supersedes:

CONTROL PANEL



Date: 7-11-89
Supersedes:

CONTROL PANEL

Item	Part No.	Description	WPV53B	WPV62B
1	116-114	Control Panel	X	X
2	8401-003	Compressor Contactor		X
2	8401-007	Compressor Contactor	X	
3	8407-035	Transformer	X	X
4	8201-034	Lockout Relay	X	X
5	8201-015	Emergency Heat Relay	X	X
6	8201-008	Blower Relay	X	X

Date: 7-11-89
Supersedes:

