

REPLACEMENT PARTS MANUAL

CHILLED WATER COIL MODEL CW45

Manual 2110-731

Revision --

Date 10-17-89

Supersedes

* GENERAL NOTES *

*Revised and/or additional pages may be issued from time to time.
*A complete and current manual consists of pages dated as shown in the following index.

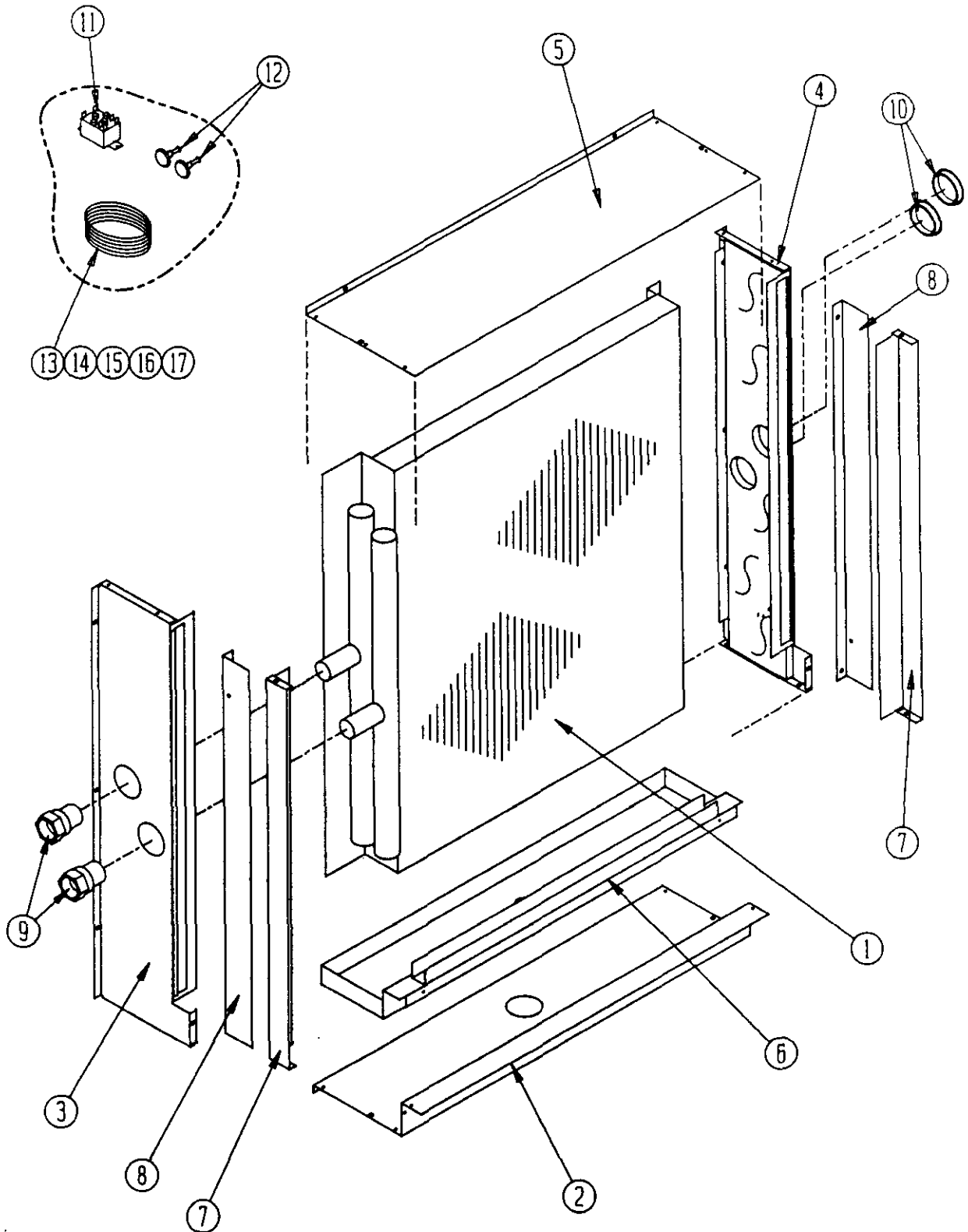
** INDEX **

| <u>Page Description</u> | <u>Page</u> | <u>Date</u> | <u>Supersedes</u> |
|-------------------------------|-------------|-------------|-------------------|
| Functional Components--Layout | 1 | 10-17-89 | |
| " " --Usage List | 2 | 10-17-89 | |

*** IMPORTANT ***

Contact the installing and/or local Bard distributor for all parts requirements. Make sure you have the complete model and serial number available from the unit rating plate.

FUNCTIONAL COMPONENTS



Date: 10-13-89
Supersedes:

FUNCTIONAL COMPONENTS

| | Part No. | Description | CH45 |
|----|----------|-------------------------|------|
| 1 | 5060-031 | Evaporator Coil | X |
| 2 | 526-035 | Bottom Assembly | X |
| 3 | 501-043 | Left Side Assembly | X |
| 4 | 501-044 | Right Side Assembly | X |
| 5 | 507-028 | Top Assembly | X |
| 6 | 123-061 | Drain Pan Weld Assembly | X |
| 7 | 100-045 | Sides--Front | X |
| 8 | 130-010 | Filter Rack Door | X |
| 9 | 5809-010 | Adapter 1-1/8 x 1 | X |
| 10 | 6051-009 | Black Plastic Plug 2" | X |
| 11 | 8201-015 | Emergency Heat Relay | X |
| 12 | 1171-018 | Knob 1" Diameter | X |
| 13 | 3018-350 | AA2-40-AH | X |
| 14 | 3000-096 | Wire Set | X |
| 15 | 3018-351 | AK2-36-AQ | X |
| 16 | 3018-352 | AG2-37-AH | X |
| 17 | 3018-205 | AD2-36-AH | X |

Date: 10-13-89
Supersedes:

