

REPLACEMENT PARTS MANUAL

WATER SOURCE HEAT PUMP

MODELS: WQS30A, WQS36A, WQS42A

Manual 2110-732

Revision A

Date 04-01-93

Supersedes 02-05-91

* GENERAL NOTES *

*Revised and/or additional pages may be issued from time to time.
*A complete and current manual consists of pages dated as shown in the following index.

** INDEX **

<u>Page Description</u>	<u>Page</u>	<u>Date</u>	<u>Supersedes</u>
Functional and Cabinet Components--Exploded View	1	02-05-91	
" " " " --Usage List	2	04-01-93	02-05-91

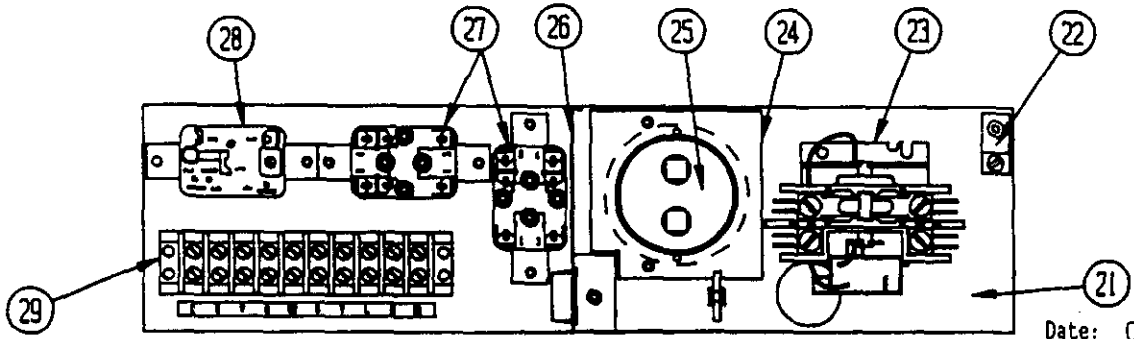
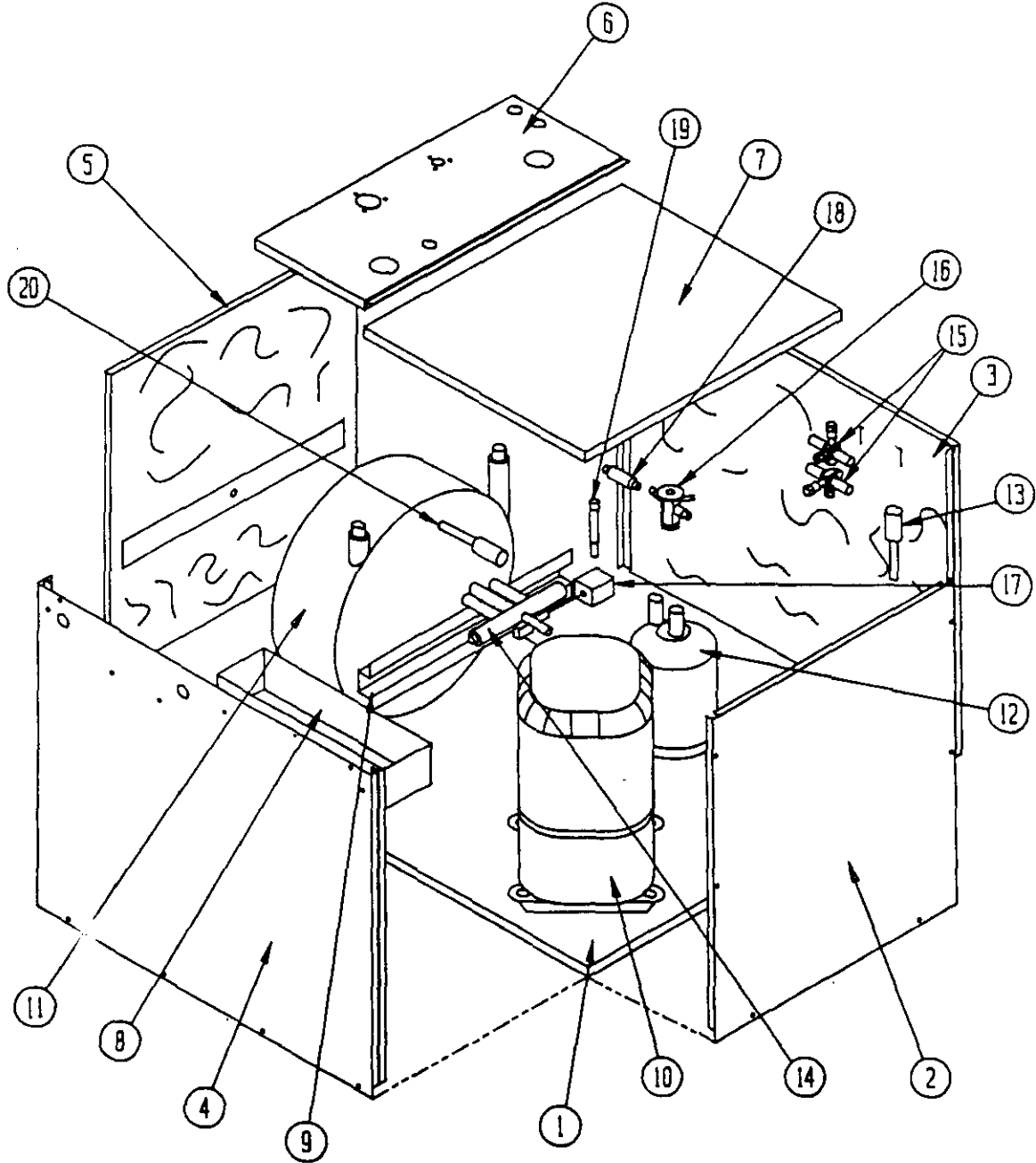
*** IMPORTANT ***

Contact the installing and/or local Bard distributor for all parts requirements. Make sure you have the complete model and serial number available from the unit rating plate.

BARD MANUFACTURING COMPANY

BRYAN, OHIO 43506

FUNCTIONAL AND CABINET COMPONENTS



Date: 02-05-91
Supersedes:

FUNCTIONAL AND CABINET COMPONENTS

Dwg. No.	Part No.	Description	WQS30A	WQS36A	WQS42A
1	127-076	Base Weld Assembly	X	X	
1	127-079	Base Weld Assembly			X
2	552-004	Front Access Panel	X	X	
2	552-082	Front Access Panel			X
3	500-211	Right Side Assembly	X	X	
3	500-220	Right Side Assembly			X
4	500-212	Left Side Assembly	X	X	
4	500-221	Left Side Assembly			X
5	553-004	Condenser Panel	X	X	
5	553-082	Condenser Panel			X
6	156-023	Entrance Panel	X		
6	156-024	Entrance Panel		X	
6	156-025	Entrance Panel			X
7	506-005	Top Assembly	X		
7	506-006	Top Assembly		X	
7	506-072	Top Assembly			X
8	902-0593	Control Panel Assembly	X		
8	902-0594	Control Panel Assembly		X	X
9	140-016	Support--Water Coil	X	X	
9	140-026	Support--Water Coil			X
10	8000-117	Compressor ZR28K1-PFV-23	X		
10	8000-115	Compressor ZR34K1-PFV-23		X	
10	8000-109	Compressor ZR40K1-PFV-23			X
11	917-0006	Water Coil Assembly with Insulation 5052-001	X		
11	917-0007	Water Coil Assembly with Insulation 5052-002		X	
11	917-0023	Water Coil Assembly with Insulation 5052-006			X
11A	5020-026	Insulation Jacket Only	X	X	
11A	5021-0336	Insulation Jacket Only			X
12	5202-020	Accumulator			X
13	8406-040	High Pressure Switch		X	X
13	8406-064	High Pressure Switch	X		
14	5650-005	Reversing Valve (See Note A)	X		
14	5650-009	Reversing Valve (See Note A)		X	
14	5650-006	Reversing Valve (See Note A)			X
14	5650-017	Reversing Valve (See Note B)	X		
14	5650-018	Reversing Valve (See Note B)		X	
14	5650-015	Reversing Valve (See Note B)			X
15	5651-055	Full Flow Valve	2		
15	5651-056	Full Flow Valve		2	2
16	5651-074	Expansion Valve	X		
16	5651-075	Expansion Valve		X	
16	5651-076	Expansion Valve			X
17	5650-008	Solenoid Coil (See Note A)	X	X	X
18	5201-010	Strainer	X	X	X
19	5651-036	Check Valve	X	X	X
20	8406-063	Low Pressure Switch	X	X	X
21	116-119	Control Panel	X	X	X
22	8611-006	Ground Terminal	X	X	X
23	8401-026	Contactora 1 Pole 25 Amp (See Note A)	X	X	X
23	8401-007	Contactora 1 Pole 25 Amp (See Note B)	X	X	X
24	112-101	Adapter Plate	X		
25	8552-032	Capacitor 35/370V	X		
25	8552-028	Capacitor 35/440V		X	X
26	116-120	Control Panel Low Voltage Barrier	X	X	X
27	8201-038	Relay	2	2	2
28	8201-037	Impedance Relay	1	1	1
29	8607-011	Terminal Block	X	X	X
30	8201-050	5 Min. Time Delay (See Note B)	X	X	X
	4050-121	Wiring Diagram	X	X	X

NOTE A: For units produced before date code D93.
 NOTE B: For units produced with date code D93 and after.

Date: 04-01-93
 Supersedes: 02-05-91
 2110-732

