

# REPLACEMENT PARTS MANUAL

## WATER SOURCE HEAT PUMP MODELS WQS30A, WQS36A, WQS42A

Manual 2110-732      Revision --      Date 02-05-91      Supersedes

\*\*\*\*\*  
\* GENERAL NOTES \*  
\*\*\*\*\*

\*Revised and/or additional pages may be issued from time to time.  
\*A complete and current manual consists of pages dated as shown in the following index.

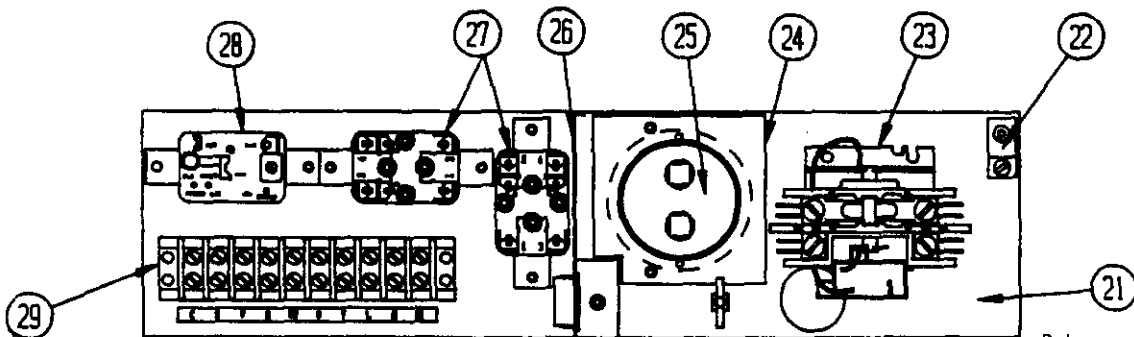
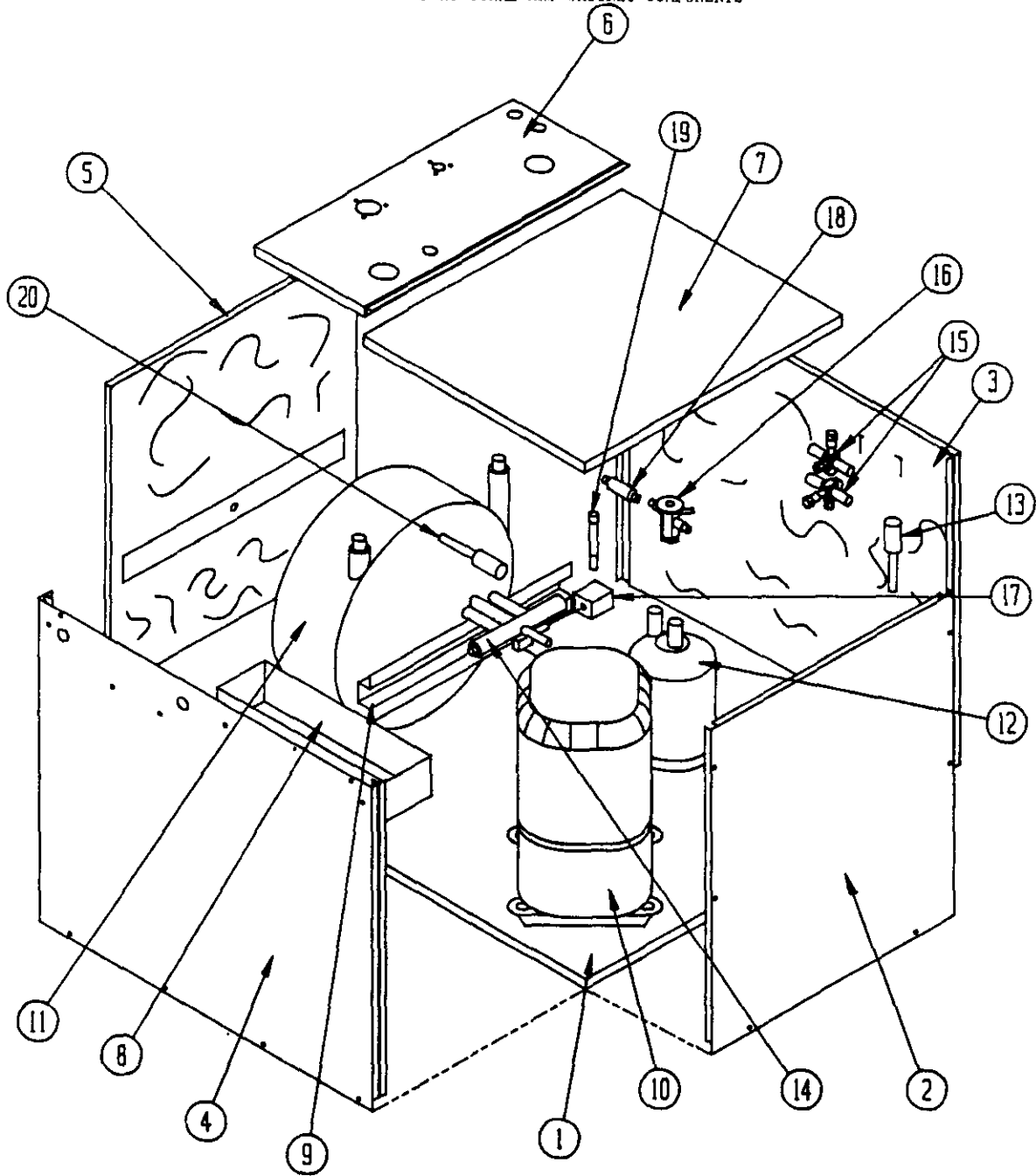
\*\*\*\*\*  
\*\* INDEX \*\*  
\*\*\*\*\*

<u>Page Description</u>	<u>Page</u>	<u>Date</u>	<u>Supersedes</u>
Functional and Cabinet Components--Exploded View	1	02-05-91	
" " " " --Usage List	2	02-05-91	

\*\*\*\*\*  
\*\*\* IMPORTANT \*\*\*  
\*\*\*\*\*

Contact the installing and/or local Bard distributor for all parts requirements. Make sure you have the complete model and serial number available from the unit rating plate.

FUNCTIONAL AND CABINET COMPONENTS



Date: 02-05-91  
Supersedes:

FUNCTIONAL AND CABINET COMPONENTS

Dwg. No.	Part No.	Description	WOS30A	WOS36A	WOS42A
1	127-076	Base Weld Assembly	X	X	
1	127-079	Base Weld Assembly			X
2	552-004	Front Access Panel	X	X	
2	552-082	Front Access Panel			X
3	500-211	Right Side Assembly	X	X	
3	500-220	Right Side Assembly			X
4	500-212	Left Side Assembly	X	X	
4	500-221	Left Side Assembly			X
5	553-004	Condenser Panel	X	X	
5	553-082	Condenser Panel			X
6	156-023	Entrance Panel	X		
6	156-024	Entrance Panel		X	
6	156-025	Entrance Panel			X
7	506-005	Top Assembly	X		
7	506-006	Top Assembly		X	
7	506-072	Top Assembly			X
8	902-0593	Control Panel Assembly	X		
8	902-0594	Control Panel Assembly		X	X
9	140-016	Support--Water Coil	X	X	
9	140-026	Support--Water Coil			X
10	8000-117	Compressor ZR28K1-PFV-230	X		
10	8000-115	Compressor ZR34K1-PFV-230		X	
10	8000-109	Compressor ZR40K1-PFV-230			X
11	917-0006	Water Coil Assembly with Insulation 5052-001	X		
11	917-0007	Water Coil Assembly with Insulation 5052-002		X	
11	917-0023	Water Coil Assembly with Insulation 5052-006			X
11A	5020-026	Insulation Jacket Only	X	X	
11A	5021-0336	Insulation Jacket Only			X
12	5202-020	Accumulator			X
13	8406-048	High Pressure Switch		X	X
13	8406-016	High Pressure Switch	X		
14	5650-005	Reversing Valve	X		
14	5650-009	Reversing Valve		X	
14	5650-006	Reversing Valve			X
15	5651-055	Full Flow Valve	2		
15	5651-056	Full Flow Valve		2	2
16	5651-074	Expansion Valve	X		
16	5651-075	Expansion Valve		X	
16	5651-076	Expansion Valve			X
17	5650-008	Solenoid Coil	X	X	X
18	5201-010	Strainer	X	X	X
19	5651-036	Check Valve	X	X	X
20	8406-015	Low Pressure Switch	X	X	X
21	116-119	Control Panel	X	X	X
22	8611-006	Ground Terminal	X	X	X
23	8401-026	Contactor 1 Pole 25 Amp	X	X	X
24	112-101	Adapter Plate	X		
25	8552-032	Capacitor 35/370V	X		
25	8552-028	Capacitor 35/440V		X	X
26	116-120	Control Panel Low Voltage Barrier	X	X	X
27	8201-038	Relay	2	2	2
28	8201-037	Impedance Relay	1	1	1
29	8607-011	Terminal Block	X	X	X
	4050-121	Wiring Diagram	X	X	X

Date: 02-05-91

Supersedes:

2110-732

Page 2

