
REPLACEMENT PARTS MANUAL

WATER SOURCE HEAT PUMP

MODELS: WPV24C WPV30C
 WPV36C WPV42C
 WPV48C WPV60C

General Notes

- Revised and/or additional pages may be issued from time to time.
- A complete and current manual consists of pages shown in the following contents section.

Important

- Contact the installing and/or local Bard distributor for all parts requirements. Make sure you have the complete model and serial number available from the unit rating plates.

Contents

Description	Page
Cabinet Components	
♦ Exploded View	1
♦ Usage List	2
Functional Components	
♦ Exploded View	3
♦ Usage List	4
♦ Usage List	5
Control Panel	
♦ Exploded View	6

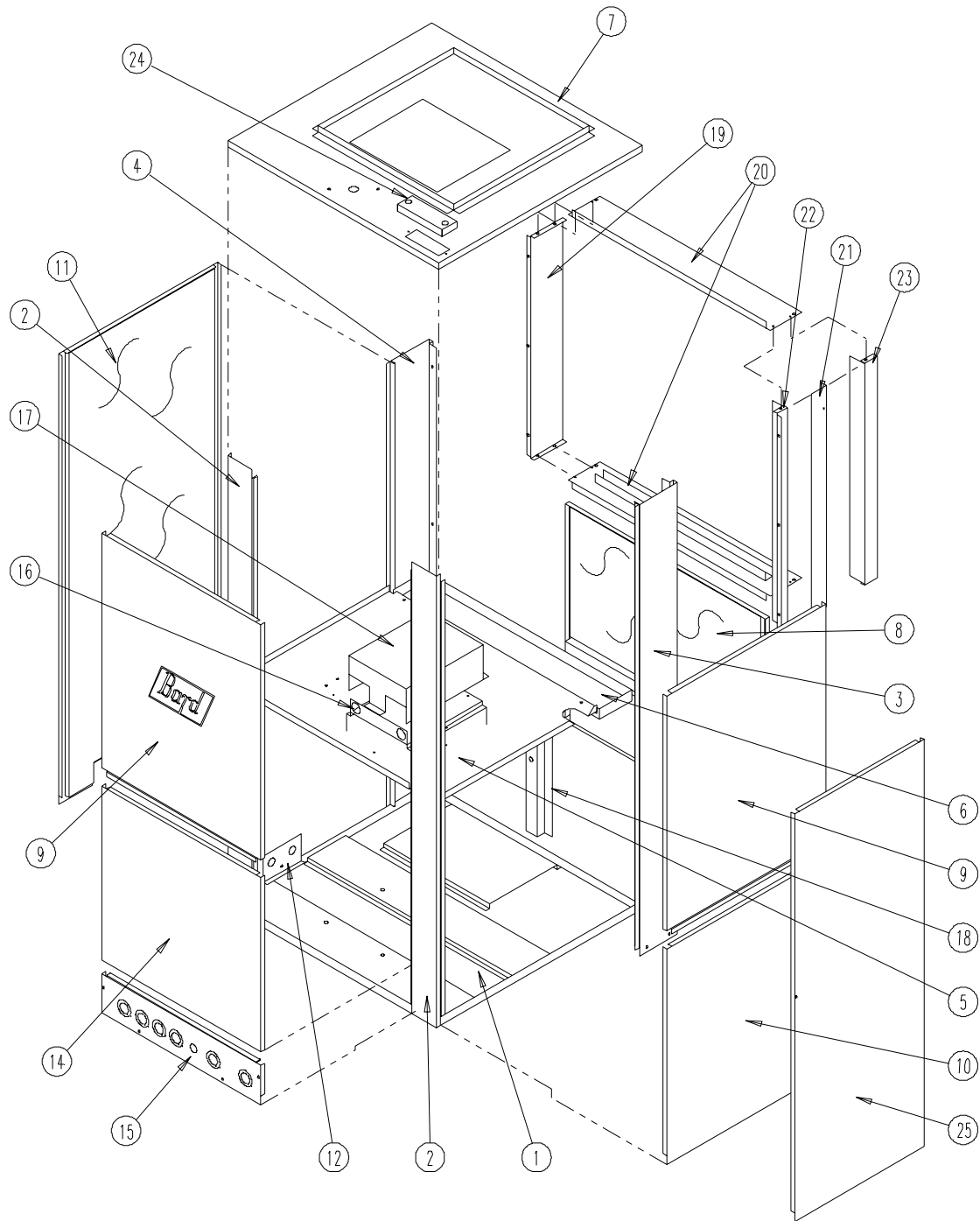


BARD MANUFACTURING COMPANY
Bryan, Ohio 43506

Since 1914...Moving, ahead just as planned.

Manual: 2110-733C
Supersedes: 2110-733B
File: Tab 8
Date: 02-10-2000

CABINET COMPONENTS

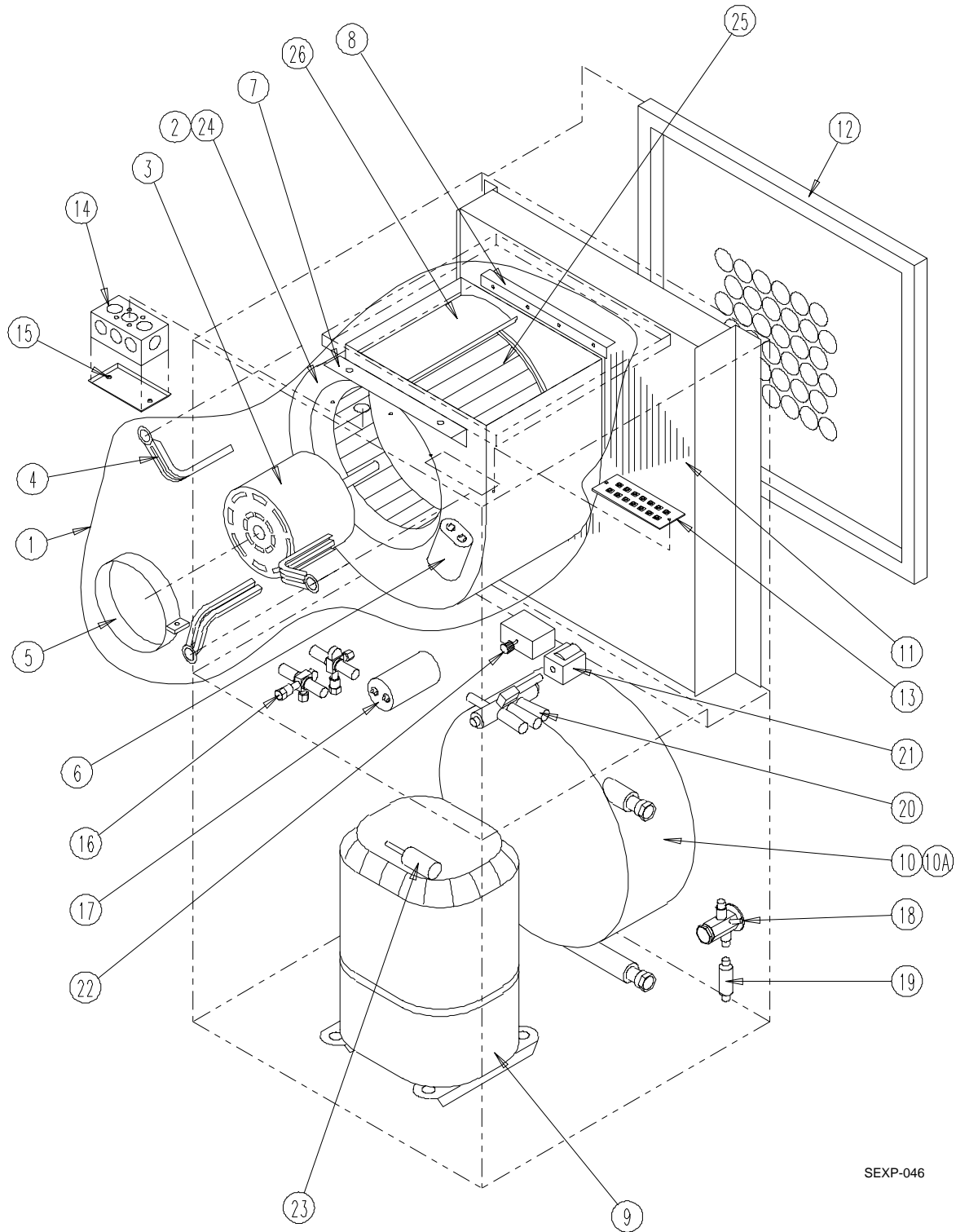


SEXP-042

CABINET COMPONENTS

Drawing			WPV24C	WPV30C	WPV36C	WPV42C	WPV48C	WPV60C
No.	Part No.	Description						
1	127-145	Base Weld Assembly	X	X	X			
1	127-008	Base Weld Assembly				X	X	X
2	548-003	Front Corner Assembly	2	2	2			
2	548-006	Front Corner Assembly				2	2	2
3	549X001	Right Rear Corner Assembly	X	X	X			
3	519X004	Right Rear Corner Assembly				X	X	X
4	549Y001	Left Rear Corner Assembly	X	X	X			
4	549Y004	Left Rear Corner Assembly				X	X	X
5	520-118	Partition Assembly	X	X	X			
5	520-132	Partition Assembly				X	X	X
6	523-004	Water Pan Assembly	X	X	X			
6	523-005	Drain Pan Assembly				X	X	X
7	507-110	Top Assembly	X	X	X			
7	507-114	Top Assembly				X	X	X
8	509-072	Lower Back Assembly	X	X	X			
8	509-074	Lower Back Assembly				X	X	X
9	514-004	Top Front Assembly	X	X	X			
9	514-006	Front and Right Top Panel Assembly				2	2	2
10	500-009	Bottom Right Panel Assembly				X	X	X
11	552-157	Left Access Assembly	X	X	X			
11	500-192	Left Side Assembly				X	X	X
12	156-022	Tubing Entrance Assembly	X	X	X	X	X	X
14	514-005	Bottom Front Assembly	X	X	X			
14	514-007	Bottom Front Assembly				X	X	X
15	556-020	Water Entrance Panel Assembly	X	X	X			
15	156-021	Water Entrance Panel Assembly				X	X	X
16	116-114	Control Panel	X	X	X	X	X	X
17	132-006	Control Panel Cover	X	X	X	X	X	X
18	140-143	Support - Water Coil Hold Down	X	X	X			
18	140-026	Support - Water Coil Hold Down				X	X	X
19	130-008	Filter Rack Side	X	X	X			
19	130-013	Filter Rack Side				X	X	X
20	131-006	Filter Rack Top and Bottom Weld Assy	X	X	X			
20	131-011	Filter Rack Top and Bottom Weld Assy				X	X	X
21	130-005	Filter Rack Door	X	X	X			
21	130-010	Filter Rack Door				X	X	X
22	130-009	Filter Rack Side	X	X	X			
22	130-014	Filter Rack Side				X	X	X
23	131-007	Filter Rack Side Weld Assembly	X	X	X			
23	131-012	Filter Rack Side Weld Assembly				X	X	X
24	132-112	Terminal Board Cover	X	X	X	X	X	X
25	552-006	Right Access Assembly	X	X	X			

FUNCTIONAL COMPONENTS



SEXP-046

Tables on Pages 4 and 5 Refer to the Above Drawing

FUNCTIONAL COMPONENTS

Drawing			WPV24C	WPV30C	WPV36C	WPV42C	WPV48C	WPV60C
No.	Part No.	Description						
1	S900-162	Blower Assembly Complete		X	X			
1	S900-172	Blower Assembly Complete	X					
1	S900-140	Blower Assembly Complete				X	X	X
2	5152-016	Blower Housing w/Wheel and Diffuser		X	X			
3	8104-008	Motor 1/4 HP	X					
3	8106-017	Motor 1/2 HP				X	X	X
3	8105-022	Motor 1/3 HP		X	X			
4	8200-036	Motor Mount Arm with Grommets	3	3	3			
4	8200-034	Motor Mount Arm with Grommets				3	3	3
5	8200-033	Motor Mount Band	X	X	X	X	X	X
6	8552-002	Capacitor 5 MFD 370V 1-1/4" Oval	X					
6	8552-004	Capacitor 7-1/2 MFD 370V 1-1/4" Oval		X	X	X	X	X
7	104-503	Angle - Front		X	X			
7	104-865	Angle - Front	X					
8	104-504	Angle - Rear	X	X	X			
9	8000-171	Compressor ZR24K3-PFV-230		X				
9	8000-174	Compressor ZR32K3-PFV-230			X			
9	8000-129	Compressor ZR18K1-PFV-230	X					
9	8000-149	Compressor ZR46K3-PFV-230					X	
9	8000-177	Compressor ZR42K3-PFV-230				X		
9	8000-178	Compressor ZR54K3-PFV-230						X
10	917-0018	Water Coil Assembly w/Insulation		X				
10	917-0017	Water Coil Assembly w/Insulation			X			
10	917-0024	Water Coil Assembly w/Insulation	X					
10	917-0010	Water Coil Assembly w/Insulation				X		
10	917-0011	Water Coil Assembly w/Insulation					X	X
10A	5020-026	Insulation Jacket Only	X	X	X			
10A	5021-0336	Insulation Jacket Only				X	X	X
11	5060-053	Evaporator Coil	X	X	X			
11	5060-029	Evaporator Coil				X	X	X
12	7004-017	Filter 22 x 22 x 1	X	X	X			
12	7004-018	Filter 25 x 25 x 1				X	X	X
13	8607-019	Terminal Board 24V	X	X	X	X	X	X
14	8614-002	Outlet Box 2" x 4"	X	X	X			
14	8614-001	Square Outlet Box 4"				X	X	X
15	8614-003	Blank Cover 2" x 4"	X	X	X			
15	8614-029	Blank Cover 4" x 4"				X	X	X
16	5651-117	Full Flow Valve 3/8"	2	2				
16	5651-118	Full Flow Valve 1/2"			2	2	2	2
17	8552-027	Capacitor 25/370V	X					
17	8552-035	Capacitor 40/370V 2" Round		X				
17	8552-043	Capacitor 45/370V 2-1/2" Round			X			
17	8552-033	Capacitor - Compressor 20/370 1-3/4" Rnd				1	1	
17	8552-035	Capacitor - Compressor 40/370 2" Round				1	1	2

Table on this page refers to drawing on Page 3

FUNCTIONAL COMPONENTS

Drawing			WPV24C	WPV30C	WPV36C	WPV42C	WPV48C	WPV60C
No.	Part No.	Description						
18	800-0254	Expansion Valve 5651-066		X	X			
18	800-0256	Expansion Valve 5651-085	X					
18	800-0253	Expansion Valve 5651-067				X		
18	800-0255	Expansion Valve 5651-068					X	X
19	5210-010	Strainer	2	2	2	2	2	2
20	5650-017	Reversing Valve	X	X				
20	5650-018	Reversing Valve			X			
20	5650-015	Reversing Valve				X	X	X
21	5650-023	Reversing Valve Solenoid	X	X	X	X	X	X
22	8408-028	Low Temperature Switch	X	X	X	X	X	X
23	8406-064	High Pressure Switch	X	X	X	X	X	X
24	151-100	Blower Housing	X					
24	151-070	Blower Housing				X	X	X
25	5152-003	Blower Wheel	X					
25	5152-010	Blower Wheel DD10-7				X	X	X
26	144-165	Blower Diffuser	X					
26	144-125	Diffuser				X	X	X
OPTIONAL ITEMS								
NS	8603-006	Solenoid Valve 24V	X	X	X	X	X	X
NS	8603-007	Constant Flow Valve 6 GPM				X	X	
NS	8603-008	Constant Flow Valve 8 GPM						X
NS	8603-010	Constant Flow Valve 4 GPM	X	X				
NS	8603-011	Constant Flow Valve 5 GPM			X			
NS	8604-080	Duct Heater 5 KW	X	X	X	X	X	X
NS	8604-081	Duct Heater 9.8 KW	X	X	X	X	X	X
NS	8604-082	Duct Heater 14.7 KW	X	X	X	X	X	X
NS	8604-083	Duct Heater 19.2 KW	X	X	X	X	X	X

NS = Not Shown

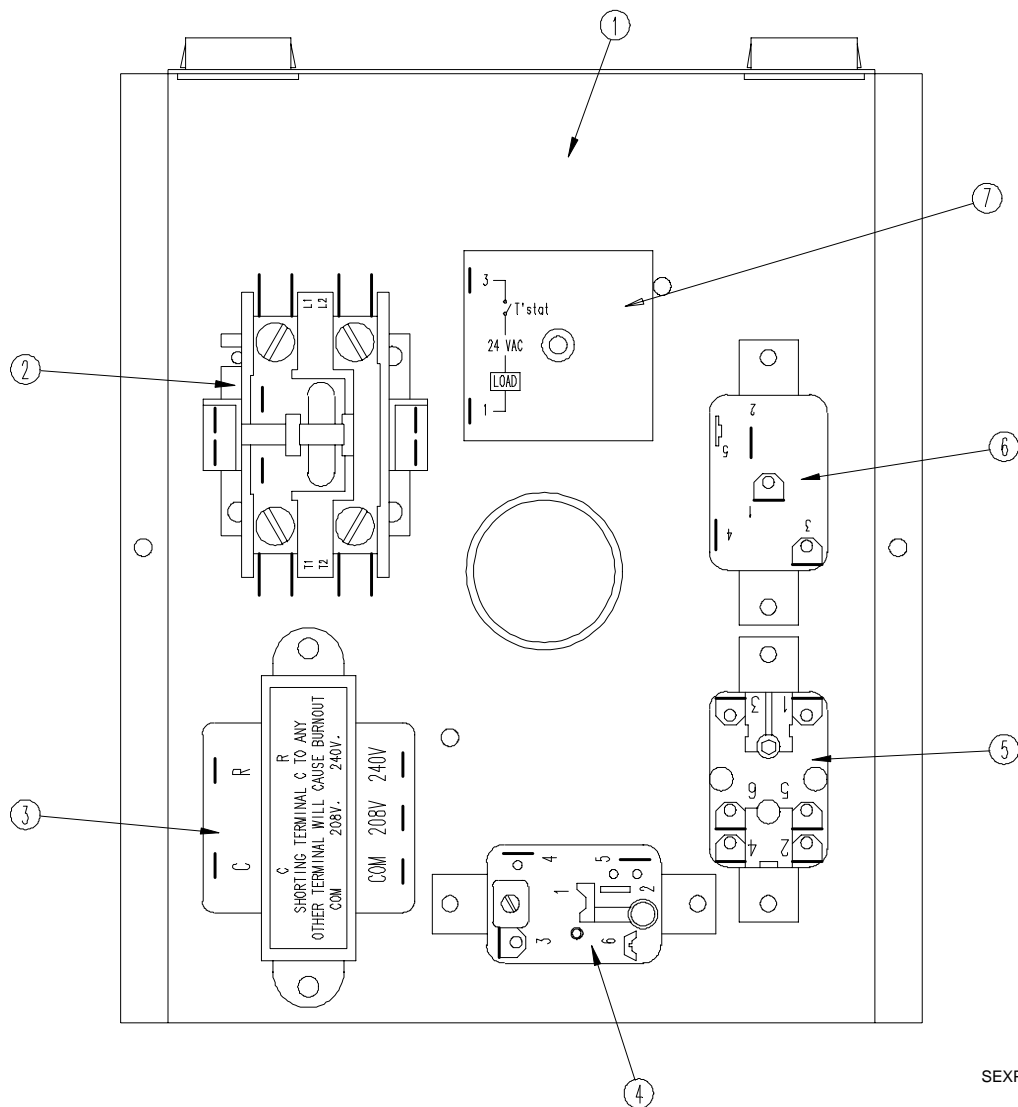
Table on this page refers to drawing on Page 3

CONTROL PANEL

Drawing

No.	Part No.	Description	WPV24C	WPV30C	WPV36C	WPV42C	WPV48C	WPV60C
1	116-114	Control Panel	X	X	X	X	X	X
2	8401-016	Compressor Contactor					X	X
2	8401-007	Compressor Contactor	X	X	X	X		
3	8407-035	Transformer	X	X	X	X	X	X
4	8201-034	Lockout Relay	X	X	X	X	X	X
5	8201-015	Emergency Heat Relay	X	X	X	X	X	X
6	8201-008	Blower Relay	X	X	X	X	X	X
7	8201-050	5 Minute Time Delay Relay	X					
NS	4054-113	Wiring Diagram	X					
NS	4054-114	Wiring Diagram		X	X			
NS	4054-115	Wiring Diagram				X	X	X

NS = Not Shown



SEXP-212