
REPLACEMENT PARTS MANUAL

WATER SOURCE HEAT PUMP

MODELS: **WPV48D**
WPV60D

General Notes

- Revised and/or additional pages may be issued from time to time.
- A complete and current manual consists of pages shown in the following contents section.

Important

- Contact the installing and/or local Bard distributor for all parts requirements. Make sure you have the complete model and serial number available from the unit rating plates.

Contents

Description	Page
Cabinet Components	
♦ Exploded View	1
♦ Usage List	2
Functional Components	
♦ Exploded View	3
♦ Usage List	4
Control Panel	
♦ Exploded View	5
♦ Usage List	5



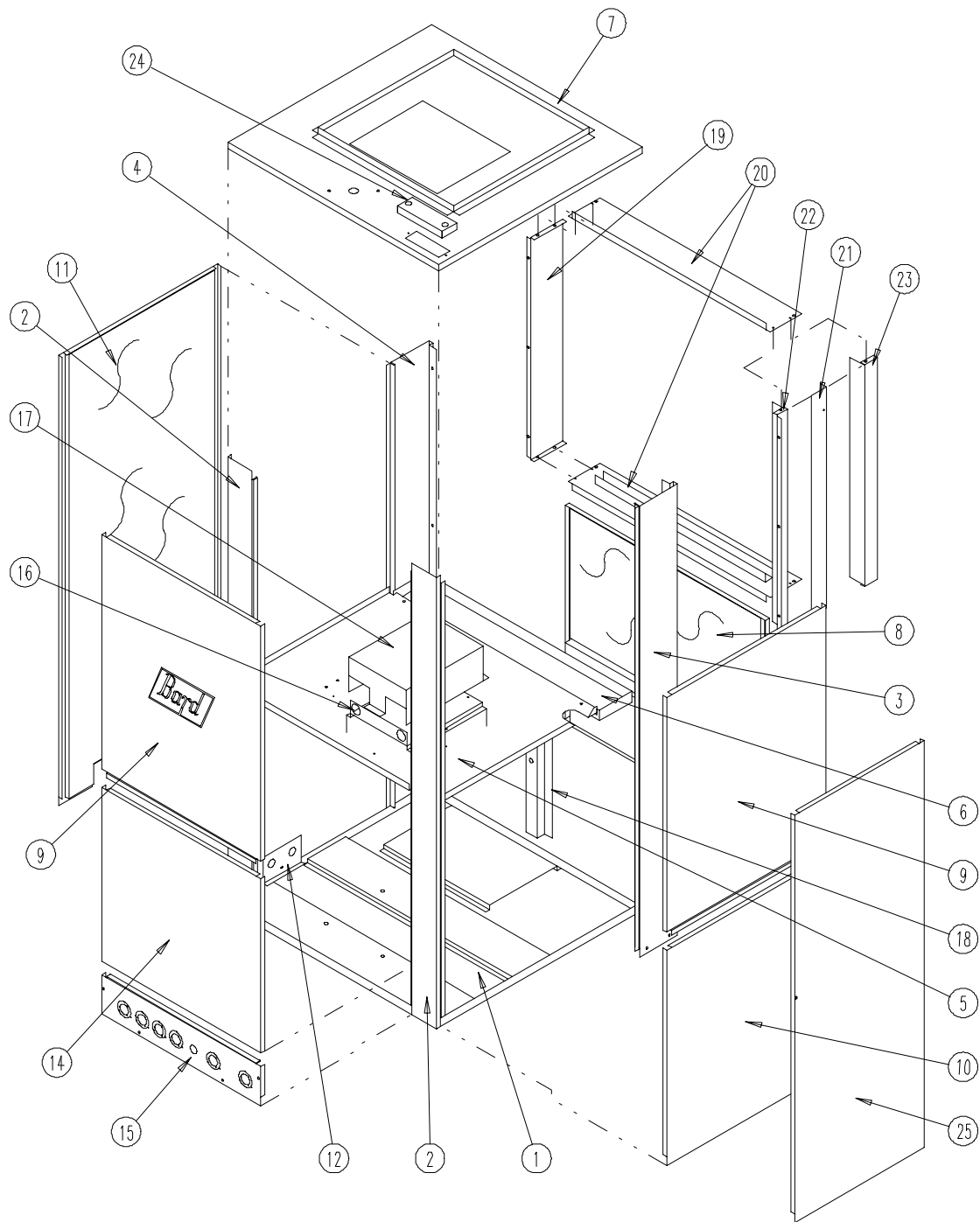
CLIMATE CONTROL SOLUTIONS

BARD MANUFACTURING COMPANY
Bryan, Ohio 43506

Since 1914...Moving, ahead just as planned.

Manual: 2110-733E
Supersedes: 2110-733D
File: Tab 8
Date: 04-01-02

CABINET COMPONENTS

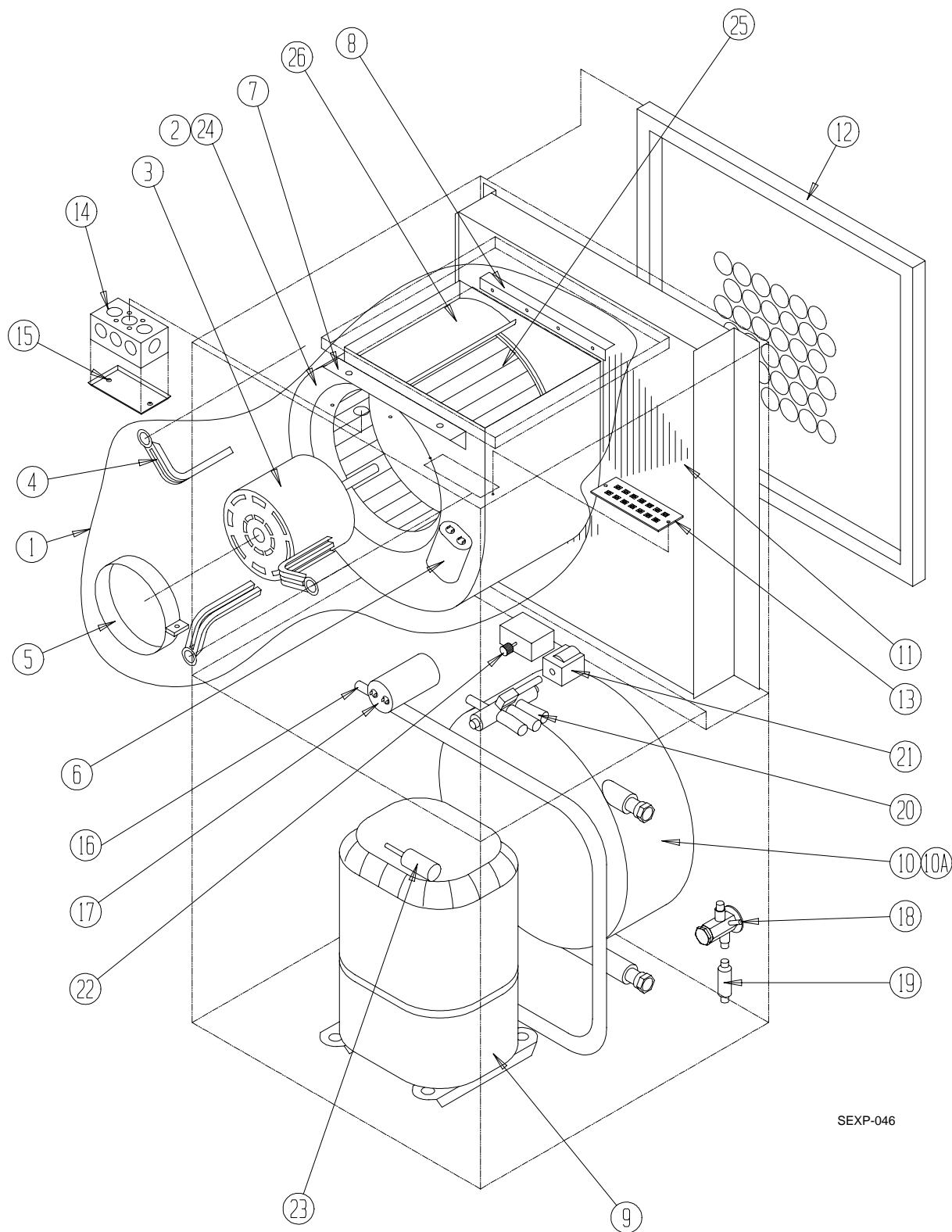


SEXP-042

CABINET COMPONENTS

Drawing			WPV48D	WPV60D
No.	Part No.	Description		
1	127-008	Base Weld Assembly	X	X
2	548-006	Front Corner Assembly	2	2
3	519X004	Right Rear Corner Assembly	X	X
4	549Y004	Left Rear Corner Assembly	X	X
5	520-132	Partition Assembly	X	X
6	523-005	Drain Pan Assembly	X	X
7	507-114	Top Assembly	X	X
8	509-074	Lower Back Assembly	X	X
9	514-006	Front and Right Top Panel Assembly	2	2
10	500-009	Bottom Right Panel Assembly	X	X
11	500-192	Left Side Assembly	X	X
12	156-022	Tubing Entrance Assembly	X	X
14	514-007	Bottom Front Assembly	X	X
15	156-021	Water Entrance Panel Assembly	X	X
16	116-114	Control Panel	X	X
17	132-006	Control Panel Cover	X	X
18	140-026	Support - Water Coil Hold Down	X	X
19	130-013	Filter Rack Side	X	X
20	131-011	Filter Rack Top and Bottom Weld Assy	X	X
21	130-010	Filter Rack Door	X	X
22	130-014	Filter Rack Side	X	X
23	131-012	Filter Rack Side Weld Assembly	X	X
24	132-112	Terminal Board Cover	X	X

FUNCTIONAL COMPONENTS



SEXP-046

FUNCTIONAL COMPONENTS

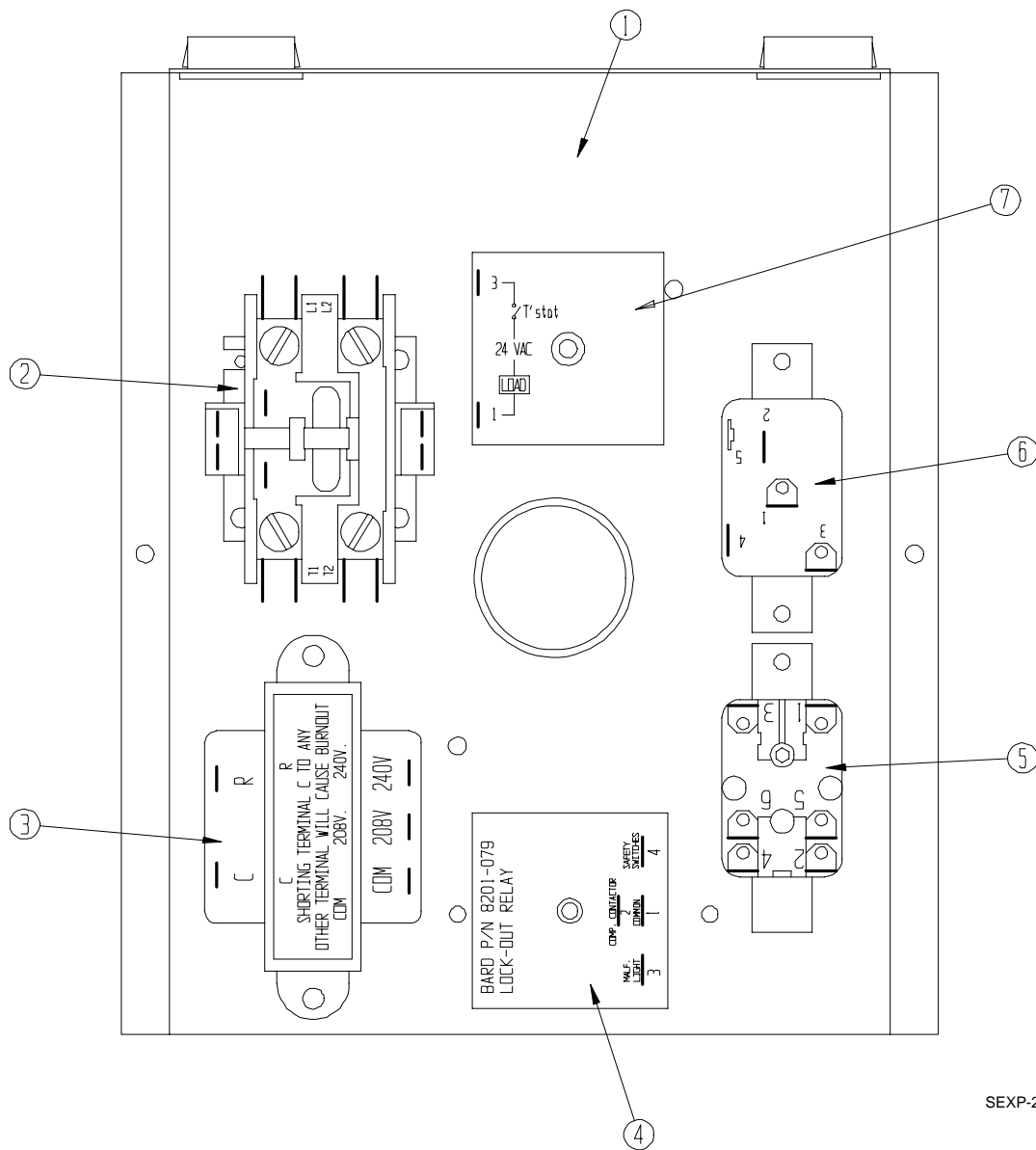
Drawing			WPV48D	WPV60D
No.	Part No.	Description		
1	S900-140	Blower Assembly Complete	X	X
3	8106-017	Motor 1/2 HP	X	X
4	8200-034	Motor Mount Arm with Grommets	3	3
5	8200-033	Motor Mount Band	X	X
6	8552-004	Capacitor 7-1/2 MFD 370V 1-1/4" Oval	X	X
9	8000-149	Compressor ZR46K3-PFV-230	X	
9	8000-178	Compressor ZR54K3-PFV-230		X
10	917-0011	Water Coil Assembly w/Insulation	X	X
10A	5021-0336	Insulation Jacket Only	X	X
11	5060-029	Evaporator Coil	X	X
12	7004-018	Filter 25 x 25 x 1	X	X
13	8607-019	Terminal Board 24V	X	X
14	8614-001	Square Outlet Box 4"	X	X
15	8614-029	Blank Cover 4" x 4"	X	X
16	5052-012	Desuperheater Coil	X	X
17	8552-033	Capacitor - Compressor 20/370 1-3/4" Rnd.	1	
17	8552-035	Capacitor - Compressor 40/370 2" Round	1	2
18	800-0255	Expansion Valve 5651-068	X	X
19	5210-010	Strainer	2	2
20	5650-015	Reversing Valve	X	X
21	5650-023	Reversing Valve Solenoid	X	X
22	8408-028	Low Temperature Switch	X	X
23	8406-064	High Pressure Switch	X	X
24	151-070	Blower Housing	X	X
25	5152-010	Blower Wheel DD10-7	X	X
26	144-125	Diffuser	X	X
OPTIONAL ITEMS				
NS	8603-006	Solenoid Valve 24V	X	X
NS	8603-007	Constant Flow Valve 6 GPM	X	
NS	8603-008	Constant Flow Valve 8 GPM		X
NS	8604-080	Duct Heater 5 KW	X	X
NS	8604-081	Duct Heater 9.8 KW	X	X
NS	8604-082	Duct Heater 14.7 KW	X	X
NS	8604-083	Duct Heater 19.2 KW	X	X

NS = Not Shown

CONTROL PANEL

Drawing			WPV48D	WPV60D
No.	Part No.	Description		
1	116-114	Control Panel	X	X
2	8401-016	Compressor Contactor	X	X
3	8407-035	Transformer	X	X
4	8201-079	Lockout Control	X	X
5	8201-015	Emergency Heat Relay	X	X
6	8201-008	Blower Relay	X	X
NS	4054-115	Wiring Diagram	X	X

NS = Not Shown



SEXP-212