



# REPLACEMENT PARTS MANUAL WATER SOURCE HEAT PUMP

**MODELS: WPV24C, WPV30C, WPV36C,  
WPV42C, WPV60C**

---

## GENERAL NOTES

- \* Revised and/or additional pages may be issued from time to time.
- \* A complete and current manual consists of pages dated as shown in the following index.

## INDEX

<u>PAGE DESCRIPTION</u>	<u>PAGE</u>	<u>DATE</u>	<u>SUPERSEDES</u>
Cabinet Components--Exploded View	2	12-05-94	
Cabinet Components--Usage List	3	12-05-94	
Functional Components--Exploded View	4	12-05-94	
Functional Components--Usage List	5	12-05-94	
Functional Components--Exploded View	6	12-05-94	
Functional Components--Usage List	7	12-05-94	
Control Panel--Exploded View & Usage List	8	12-05-94	

## IMPORTANT

Contact the installing and/or local Bard distributor for all parts requirements. Make sure you have the complete model and serial number available from the unit rating plates.

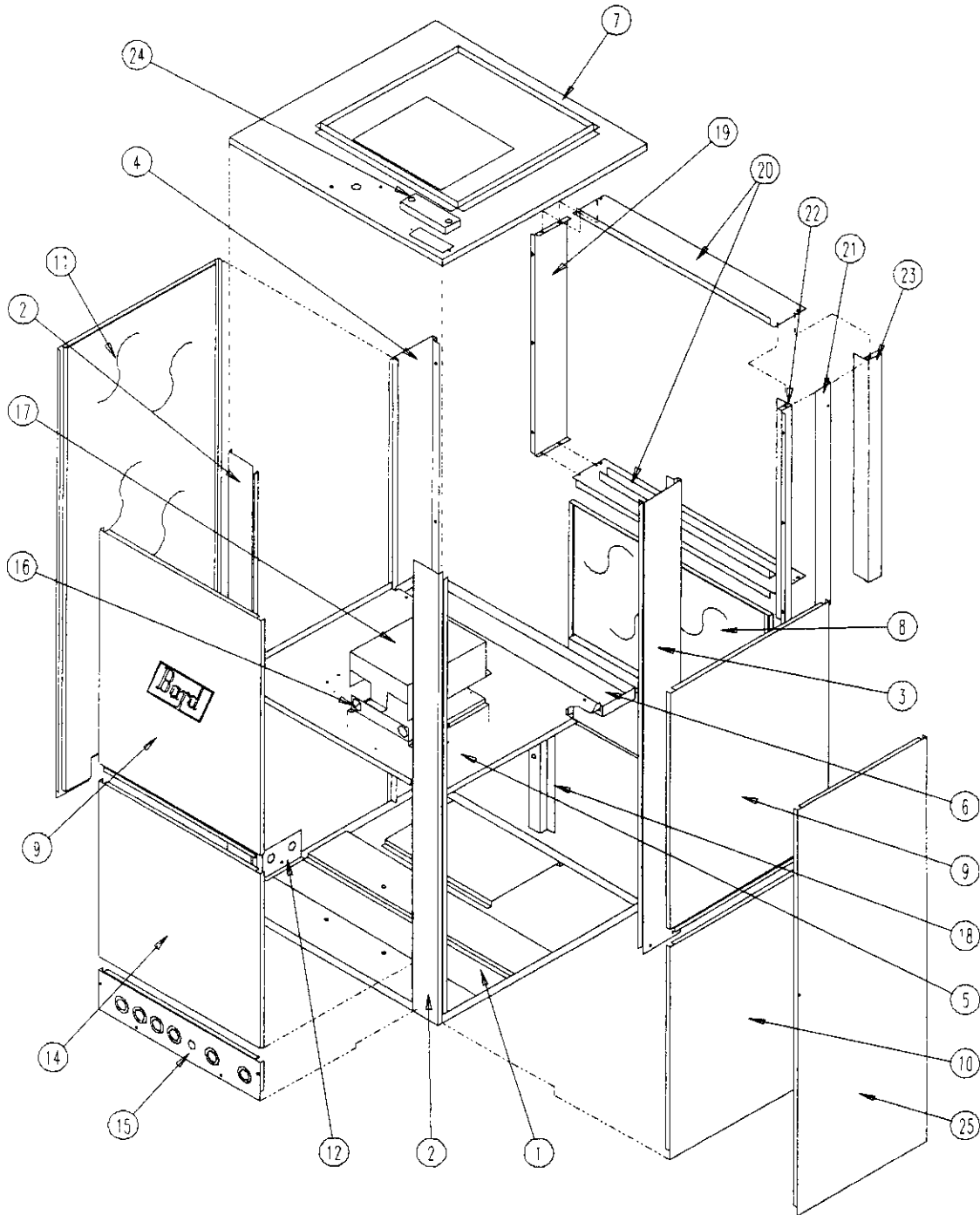
---

BARD MANUFACTURING COMPANY  
Bryan, Ohio 43506

Since 1914...Moving, ahead just as planned.

Manual: 2110-733 Rev.  
Supersedes: Rev.  
File: 2150-004, Tab 8

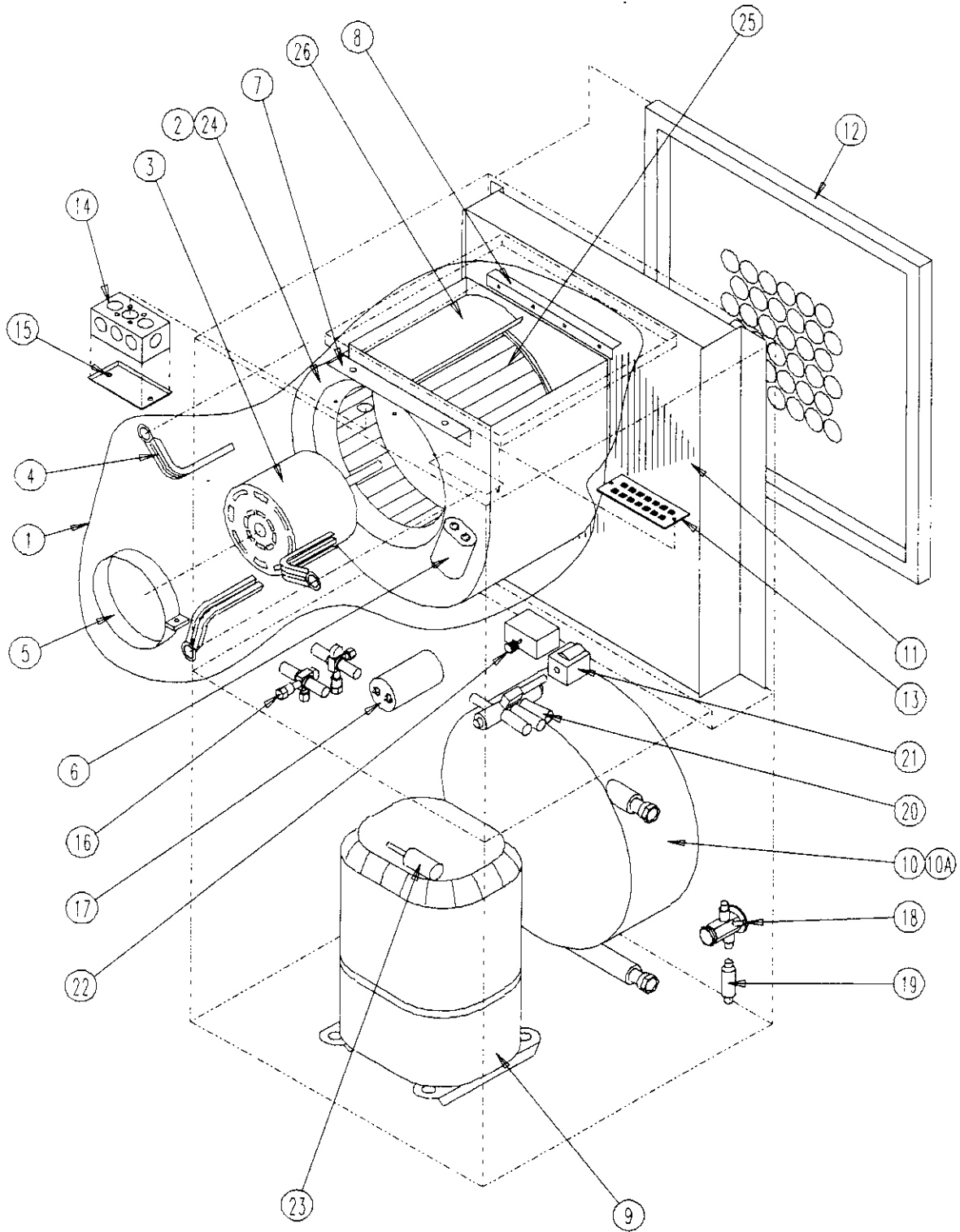
# CABINET COMPONENTS





SEXP-042

DWG. NO.	PART NO.	CABINET COMPONENTS DESCRIPTION	WPV24C	WPV30C	WPV36C	WPV42C	WPV60C
1	127-145	Base Weld Assembly	x	x	x		
1	127-008	Base Weld Assembly				x	x
2	548-003	Front Corner Assembly	2	2	2		
2	548-006	Front Corner Assembly				2	2
3	549X001	Right Rear Corner Assembly	x	x	x		
3	549X004	Right Rear Corner Assembly				x	x
4	549Y001	Left Rear Corner Assembly	x	x	x		
4	549Y004	Left Rear Corner Assembly				x	x
5	520-118	Partition Assembly	x	x	x		
5	520-132	Partition Assembly				x	x
6	523-004	Water Pan Assembly	x	x	x		
6	523-005	Drain Pan Assembly				x	x
7	507-110	Top Assembly	x	x	x		
7	507-114	Top Assembly				x	x
8	509-072	Lower Back Assembly	x	x	x		
8	509-074	Lower Back Assembly				x	x
9	514-004	Top Front Assembly	x	x	x		
9	514-006	Front and Right Top Panel Assembly				2	2
10	500-009	Bottom Right Panel Assembly				x	x
11	552-157	Left Access Assembly	x	x	x		
11	500-192	Left Side Assembly				x	x
12	156-022	Tubing Entrance Assembly	x	x	x	x	x
14	514-005	Bottom Front Assembly	x	x	x		
14	514-007	Bottom Front Assembly				x	x
15	556-020	Water Entrance Panel Assembly	x	x	x		
15	556-021	Water Entrance Panel Assembly				x	x
16	116-114	Control Panel	x	x	x	x	x
17	132-006	Control Panel Cover	x	x	x	x	x
18	140-143	Support -- Water Coil Hold Down	x	x	x		
18	140-026	Support -- Water Coil Hold Down				x	x
19	130-008	Filter Rack Side	x	x	x		
19	130-013	Filter Rack Side				x	x
20	131-006	Filter Rack Top and Bottom Weld Assembly	x	x	x		
20	131-011	Filter Rack Top and Bottom Weld Assembly				x	x
21	130-005	Filter Rack Door	x	x	x		
21	130-010	Filter Rack Door				x	x
22	130-009	Filter Rack Side	2	2	2		
22	130-014	Filter Rack Side				x	x
23	131-007	Filter Rack Side Weld Assembly	x	x	x		
23	131-012	Filter Rack Side Weld Assembly				x	x
24	132-112	Terminal Board Cover	x	x	x	x	x

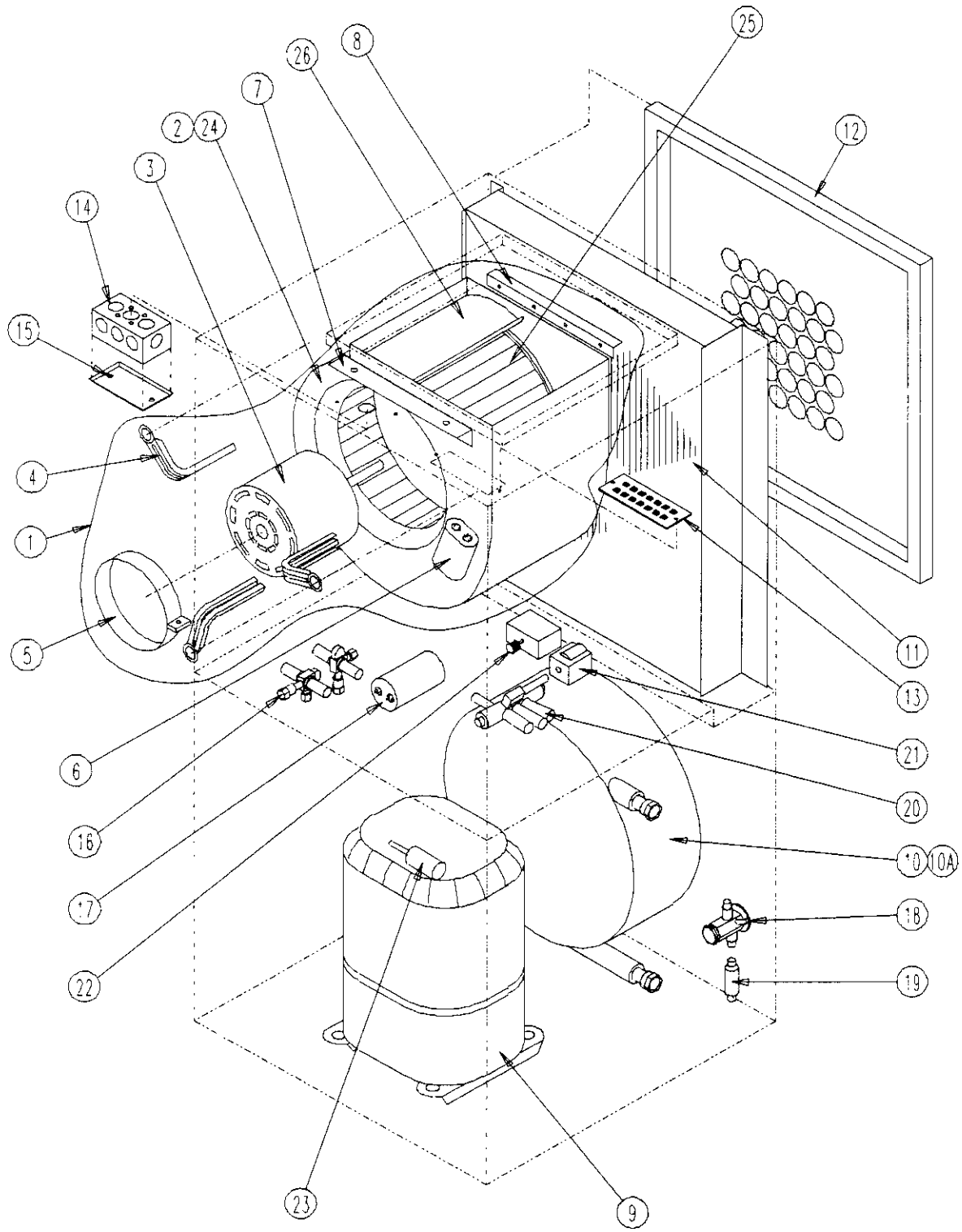
# FUNCTIONAL COMPONENTS



SEXP-046

DWG. NO.	PART NO.	FUNCTIONAL COMPONENTS DESCRIPTION	WPV24C	WPV30C	WPV36C	WPV42C	WPV60C
1	S900-162	Blower Assembly Complete		x	x		
1	S900-172	Blower Assembly Complete	x				
1	S900-140	Blower Assembly Complete				x	x
2	5152-046	Blower Housing with Wheel and Diffuser		x	x		
3	8104-008	Motor 1/4 HP	x				
3	8106-017	Motor 1/2 HP				x	x
3	8105-022	Motor 1/3 HP		x	x		
4	8200-036	Motor Mount Arm with Grommets	3	3	3		
4	8200-034	Motor Mount Arm with Grommets				3	3
5	8200-033	Motor Mount Band	x	x	x	x	x
6	8552-002	Capacitor 5 MFD 370V 1 1/4" Oval	x				
6	8552-004	Capacitor 7 1/2 MFD 370V 1 1/4" Oval		x	x	x	x
7	104-503	Angle - Front		x	x		
7	104-865	Angle - Front	x				
8	104-504	Angle - Rear	x	x	x		
9	8000-171	Compressor ZR24K3-PFV-230		x			
9	8000-174	Compressor ZR32K3-PFV-230			x		
9	8000-129	Compressor ZR18K1-PFV-230	x				
9	8000-177	Compressor ZR42K3-PFV-230				x	
9	8000-178	Compressor ZR54K3-PFV-230					x
10	917-0018	Water Coil Assembly w/Insulation		x			
10	917-0017	Water Coil Assembly w/Insulation			x		
10	917-0024	Water Coil Assembly w/Insulation	x				
10	917-0010	Water Coil Assembly w/Insulation				x	
10	917-0011	Water Coil Assembly w/Insulation					x
10A	5020-026	Insulation Jacket Only	x	x	x		
10A	5021-0336	Insulation Jacket Only				x	x
11	5060-0 	Evaporator Coil	x	x	x		
11	5060-0 	Evaporator Coil				x	x
12	7004-017	Filter 22 x 22 x 1	x	x	x		
12	7004-018	Filter 25 x 25 x 1				x	x
13	8607-019	Terminal Board 24V	x	x	x	x	x
14	8614-002	Outlet Box 2" x 4"	x	x	x		
14	8614-001	Square Outlet Box 4"				x	x
15	8614-003	Blank Cover 2" x 4"	x	x	x		
15	8614-029	Blank Cover 4" x 4"				x	x
16	5651-117	Full Flow Valve 3/8"	2	2			
16	5651-118	Full Flow Valve 1/2"			2	2	2
17	8552-027	Capacitor 25/370V	x				
17	8552-035	Capacitor 40/370V 2" Round		x			
17	8552-043	Capacitor 45/370 2 1/2" Round			x		
17	8552-033	Capacitor - Compressor 20/370 1 3/4" Round				1	
17	8552-035	Capacitor - Compressor 40/370 2" Round				1	2

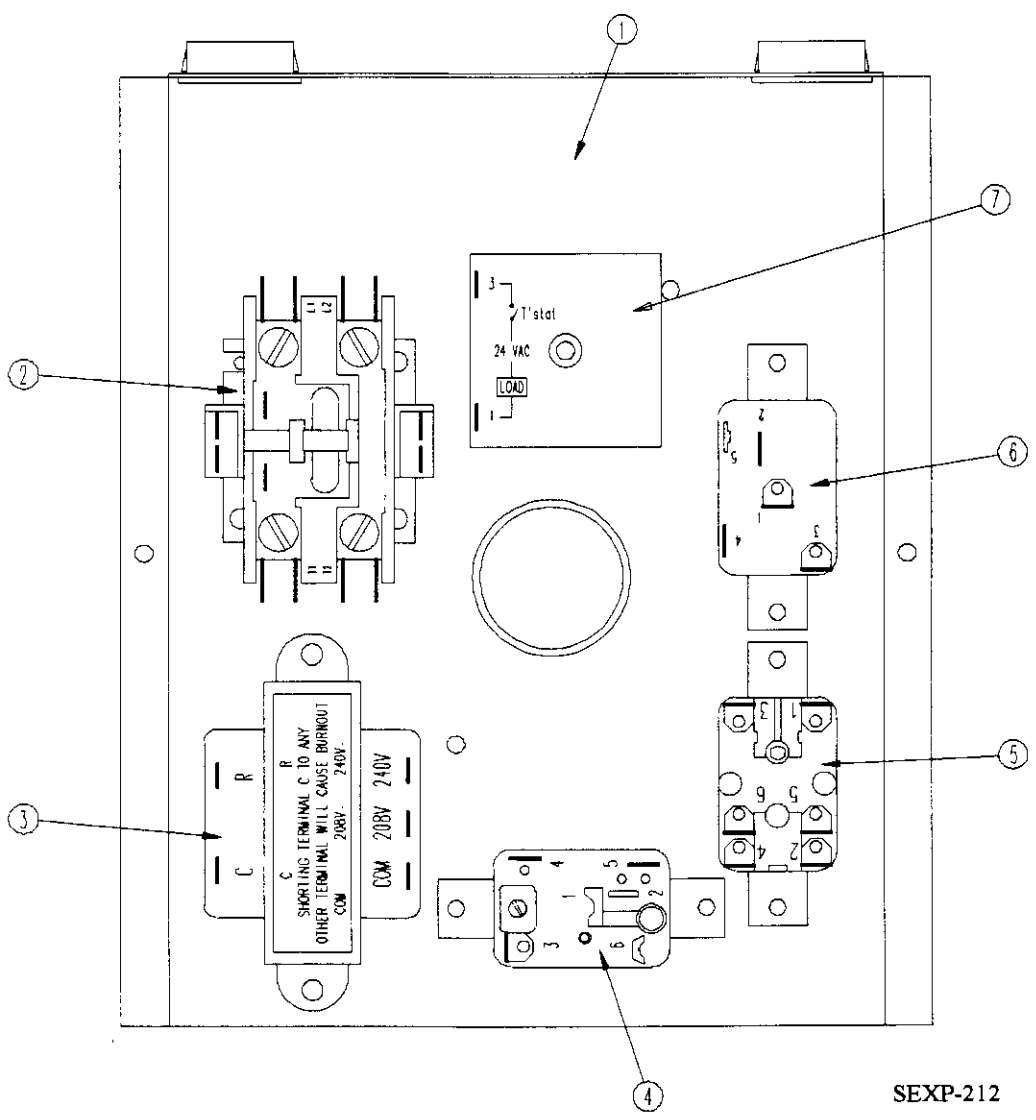
# FUNCTIONAL COMPONENTS



SEXP-046

DWG. NO.	PART NO.	FUNCTIONAL COMPONENTS DESCRIPTION	WPV24C	WPV30C	WPV36C	WPV42C	WPV60C
18	5651-066	Expansion Valve		x	x		
18	5651-085	Expansion Valve	x				
18	5651-067	Expansion Valve				x	
18	5651-068	Expansion Valve					x
19	5210-010	Strainer	2	2	2	2	2
20	5650-017	Reversing Valve	x	x			
20	5650-018	Reversing Valve			x		
20	5650-015	Reversing Valve				x	x
21	5650-023	Reversing Valve Solenoid	x	x	x	x	x
22	8408-028	Low Temperature Switch	x	x	x	x	x
23	8406-064	High Pressure Switch	x	x	x	x	x
24	151-100	Blower Housing	x				
24	151-070	Blower Housing				x	x
25	5152-003	Blower Wheel	x				
25	5152-010	Blower Wheel DD10-7				x	x
26	144-165	Blower Diffuser	x				
26	144-125	Diffuser				x	x
OPTIONAL ITEMS							
	8603-006	Solenoid Valve 24V	x	x	x	x	x
	8603-007	Constant Flow Valve 6 GPM				x	
	8603-008	Constant Flow Valve 8 GPM					x
	8603-010	Constant Flow Valve 4 GPM	x	x			
	8603-011	Constant Flow Valve 5 GPM			x		
	8604-080	Duct Heater 5KW	x	x	x	x	x
	8604-081	Duct Heater 9.8KW	x	x	x	x	x
	8604-082	Duct Heater 14.7KW	x	x	x	x	x
	8604-083	Duct Heater 19.2KW	x	x	x	x	x

DWG. NO.	PART NO.	CONTROL PANEL DESCRIPTION	WPV24C	WPV30C	WPV36C	WPV42C	WPV60C
1	116-114	Control Panel	x	x	x	x	x
2	8401-003	Compressor Contactor					x
2	8401-007	Compressor Contactor	x	x	x	x	
3	8407-035	Transformer	x	x	x	x	x
4	8201-034	Lockout Relay	x	x	x	x	x
5	8201-015	Emergency Heat Relay	x	x	x	x	x
6	8201-008	Blower Relay	x	x	x	x	x
7	8201-050	5 Minute Time Delay Relay	x				
	4054-113	Wiring Diagram	x				
	4054-114	Wiring Diagram		x	x		
	4054-115	Wiring Diagram				x	x



SEXP-212