
REPLACEMENT PARTS MANUAL

GROUND SOURCE and GROUND WATER SOURCE HEAT PUMP

MODELS: **GSVS481-A**
GSVS601-A

General Notes

- Revised and/or additional pages may be issued from time to time.
- A complete and current manual consists of pages shown in the following contents section.

Important

- Contact the installing and/or local Bard distributor for all parts requirements. Make sure you have the complete model and serial number available from the unit rating plates.

Contents

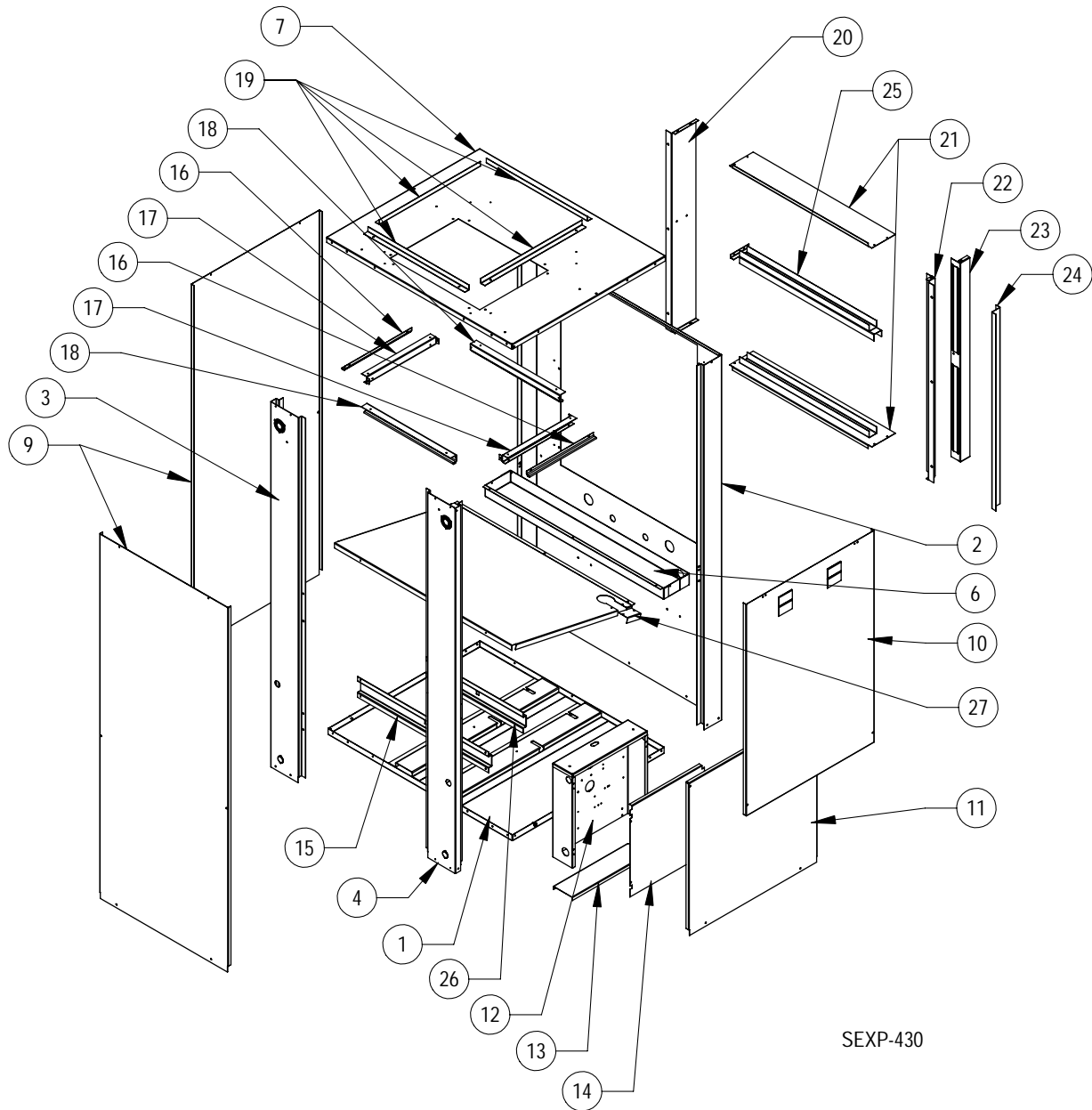
Description	Page
Cabinet Components	
♦ Exploded View	2
♦ Usage List	3
Functional Components	
♦ Exploded View	4
♦ Usage List	5
Control Panel	
♦ Exploded View	6
♦ Usage List	7



BARD MANUFACTURING COMPANY
Bryan, Ohio 43506
Since 1914...Moving ahead, just as planned.

Manual: 2110-735B
Supersedes: 2110-735A
File: Tab 8
Date: 04-17-06

CABINET COMPONENTS

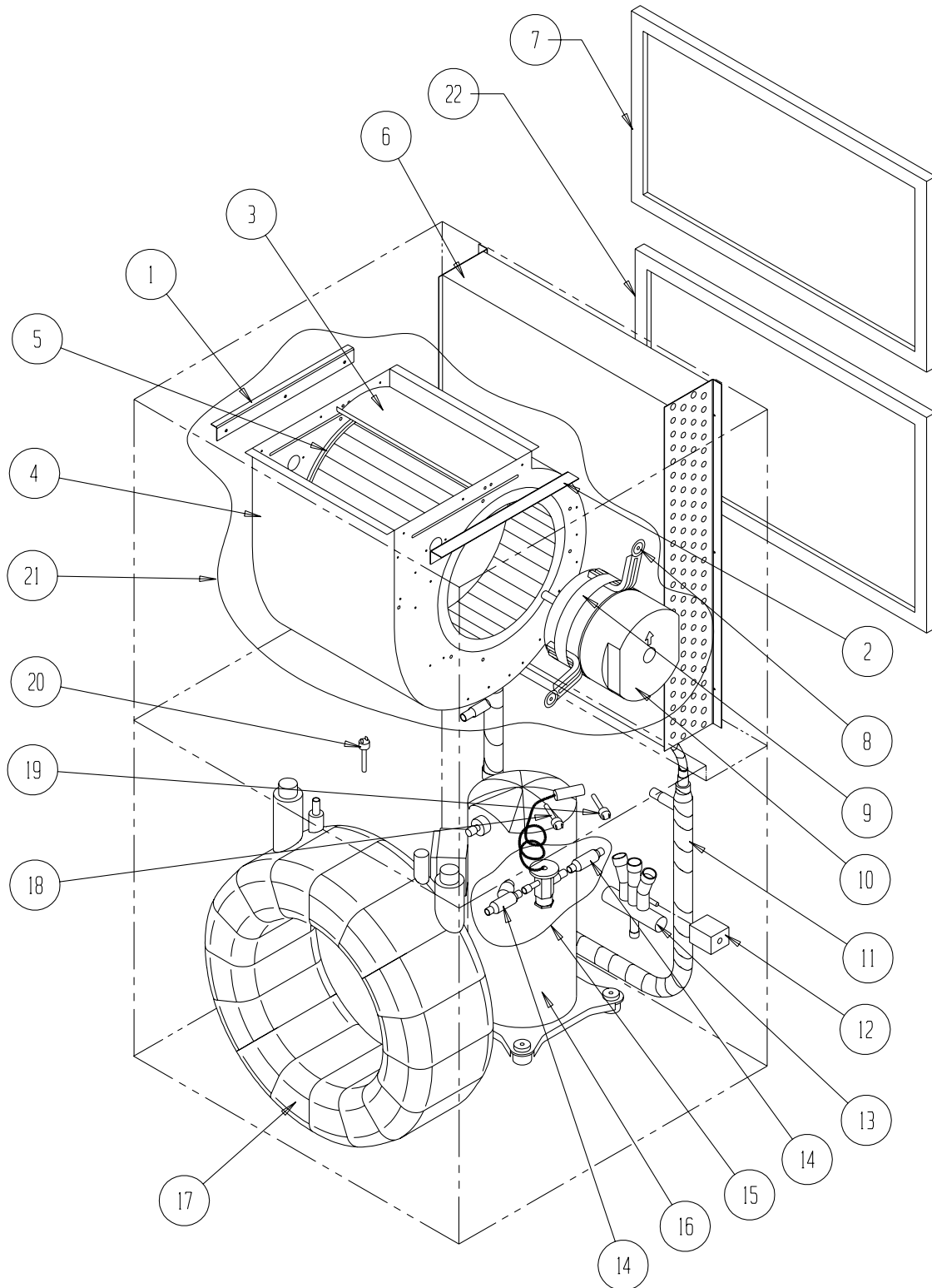


SEXP-430

CABINET COMPONENTS

Drawing No.	Part No.	Description	GSVS481-A	GSVS601-A
1	127-335-X	Base Assembly	X	X
2	S509-177-4	Back Assembly	X	X
3	549-096-4	Right Corner	X	X
4	549-097-4	Left Corner	X	X
5	521-380	Partition	X	X
6	S523-110	Drain Pan Assembly	X	X
7	507-334-4	Top	X	X
9	501-422-4	Side Assembly	2	2
10	S553-369-4	Upper Door	X	X
11	553-370-4	Lower Door	X	X
12		See Control Panel Drawing	X	X
13	116-221	Control Panel Base	X	X
14	S132-157	Control Panel Cover	X	X
15	140-306	Water Coil Support	X	X
16	140-262	Blower Hanger	2	2
17	140-305	Blower Slide End	2	2
18	145-186	Blower Slide	2	2
19	105-1161-4	Plenum Angle	4	4
20	131-143-4	Filter Rack Side – Right	X	X
21	131-144-4	Filter Rack Top and Base	2	2
22	131-142-4	Filter Rack Side – Left	X	X
23	131-145-4	Filter Rack Side – Left	X	X
24	131-141-4	Filter Rack Door	X	X
25	165-583	Filter Rack Channel Assembly	X	X
26	140-265	Water Coil Support	X	X
27	136-425	Cover Plate	X	X

FUNCTIONAL COMPONENTS

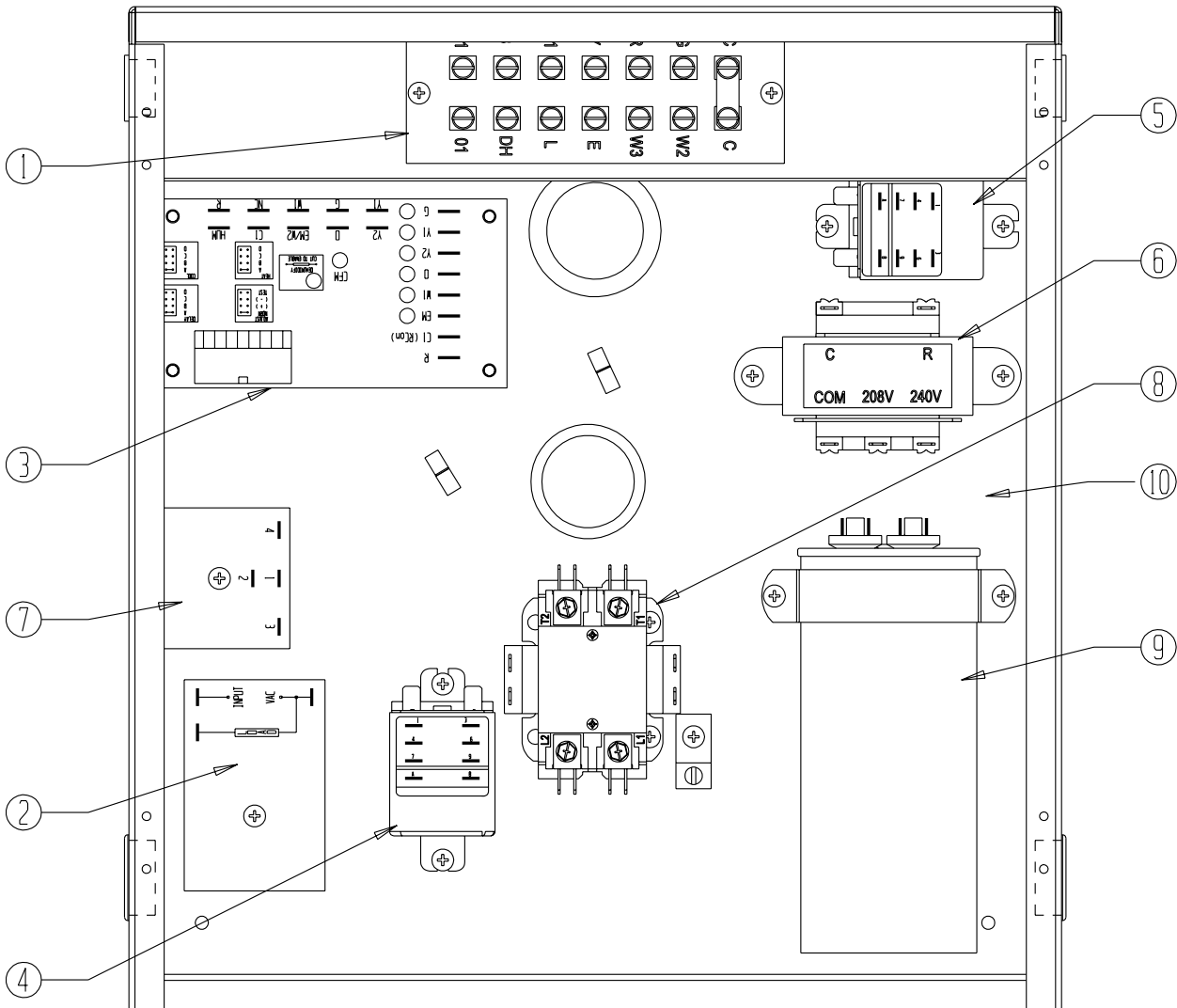


SEXP-431

FUNCTIONAL COMPONENTS

Drawing No.	Part No.	Description	GSVS481-A	GSVS601-A
1	104-1162	Blower Angle	X	X
2	104-1162	Blower Angle	X	X
3	144-131	Blower Diffuser	X	X
4	151-118	Blower Housing	X	X
5	5152-061	Blower Wheel	X	X
6	5060-121BX	Evaporator Coil	X	
6	5060-120BX	Evaporator Coil		X
7	7004-006	Filter 14 x 25 x 1	X	X
8	8620-034	Motor Mount Arm	3	3
9	8620-034	Motor Mound Band	X	X
10	8107-009-0032	Motor 3/4 HP ECM	X	
10	8107-009-0031	Motor 3/4 HP ECM		X
11	5052-012	Desuperheater Coil	X	X
12	5650-042	Reversing Valve Solenoid, Red Casing (Ranco)	X	X
12	5650-043	Reversing Valve Solenoid, Black Casing (Wilspec)	X	X
13	5650-040	Reversing Valve with 24V Solenoid Coil	X	X
14	5210-010	Strainer	X	X
15	800-0337	Expansion Valve 5651-153	X	
15	800-0338	Expansion Valve 5651-162		X
16	8000-177	Compressor ZR42K3-PFV	X	
16	8000-178	Compressor ZR54K3-PFV		X
17	S917-0096	Water Coil Assembly 5052-011	X	
17	S917-0097	Water Coil Assembly 5052-013		X
18	1804-0242	Low Pressure Switch 27 PSIG 8406-095	X	X
19	1804-0243	Low Pressure Switch 15 PSIG 8406-096	X	X
20	1804-0241	High Pressure Switch 8406-094	X	X
21	900-270-001	Blower Assembly	X	
21	900-270-002	Blower Assembly		X
22	7004-011	Filter 16 x 25 x 1	X	X
NS	3000-1212	Low Voltage Motor Leads	X	X
NS	3000-1089	High Voltage Motor Leads	X	X

CONTROL PANEL



SEXP-429

CONTROL PANEL

Drawing No.	Part No.	Description	GSVS481-A	GSVS601-A
1	8607-019	Terminal Board	X	X
2	8201-084	Blinker Relay	X	X
3	8201-083	Blower Control	X	X
4	8201-048	Relay – Low Pressure Lockout	X	X
5	8201-048	Relay – Emergency Heat	X	X
6	8407-035	Transformer	X	X
7	8201-079	Solid State Lockout Control	X	X
8	8401-025	Contactator	X	X
9	8552-062	Capacitor 60+5 mf / 370V	X	
9	8552-061	Capacitor 80+5 mf / 370V		X
10	116-220	Control Panel	X	X
NS	4105-101	Wiring Diagram	X	X