
WATER SOURCE HEAT PUMPS

MODELS:

REPLACEMENT PARTS MANUAL

| | |
|--------------|--------------------|
| GTB1-A | Blower Section |
| GTA3600UD1AA | Coil Section |
| GTA4860UD1AA | Coil Section |
| GTC36S2-ADCX | Compressor Section |
| GTC48S2-ADCX | Compressor Section |
| GTC60S2-ADCX | Compressor Section |
| GTC36S2-ADNX | Compressor Section |
| GTC48S2-ADNX | Compressor Section |
| GTC60S2-ADNX | Compressor Section |

General Notes

- Revised and/or additional pages may be issued from time to time.
- A complete and current manual consists of pages shown in the following contents section.

Important

- Contact the installing and/or local distributor for all parts requirements. Make sure you have the complete model and serial number available from the unit rating plates.

Contents

| Description | Page |
|-----------------------|------|
| Blower Section | |
| ♦ Exploded View | 2 |
| ♦ Usage List | 3 |
| ♦ Exploded View | 4 |
| ♦ Usage List | 5 |
| "A" Coil Section | |
| ♦ Exploded View | 6 |
| ♦ Usage List | 7 |
| Compressor Section | |
| ♦ Exploded View | 8 |
| ♦ Usage List | 9 |
| ♦ Exploded View | 10 |
| ♦ Usage List | 11 |

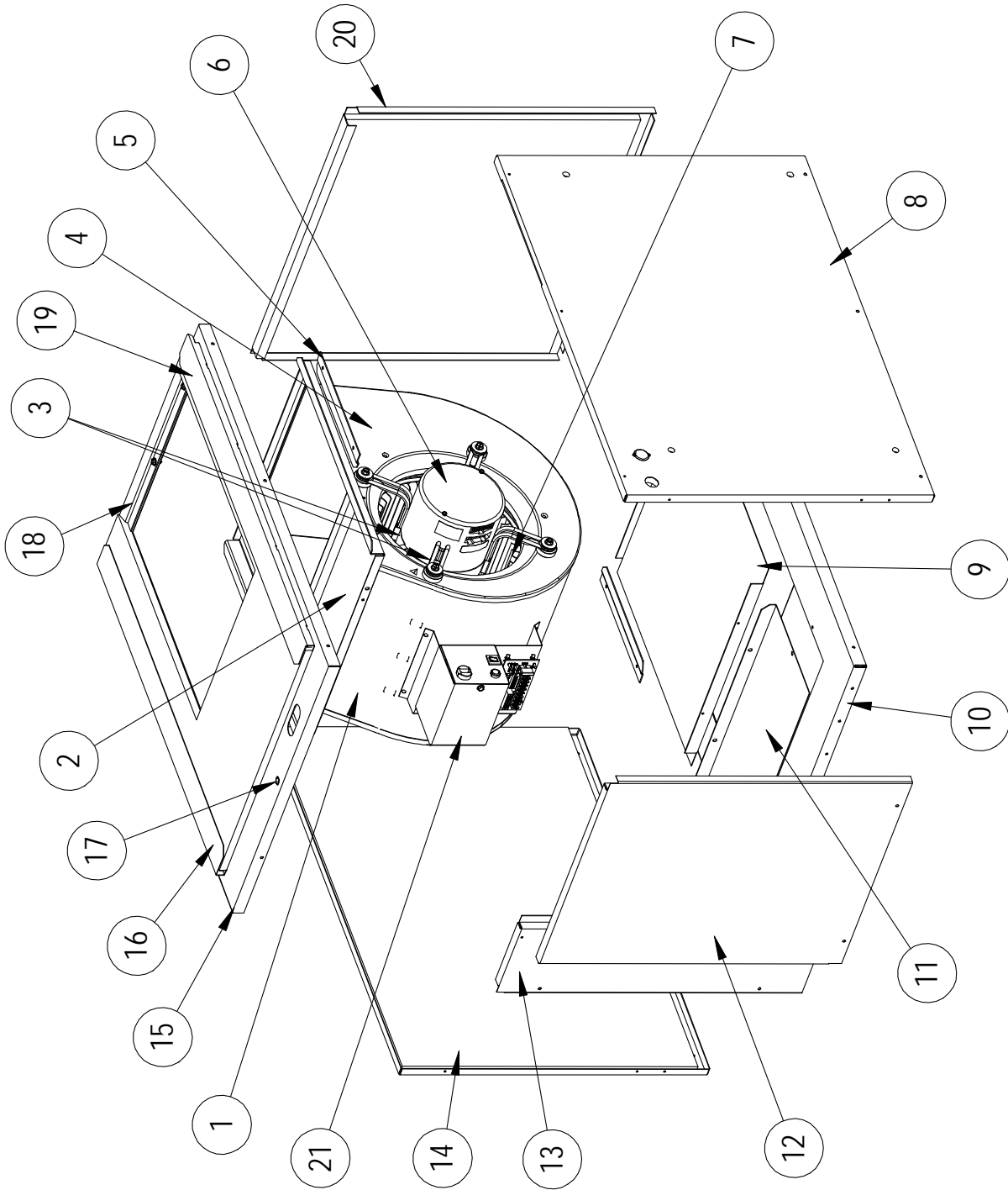
BMC, Inc.
Bryan, Ohio 43506

**Manufactured under the following
U.S. patent number:
8,127,566**

Manual: 2110-737I
Supersedes: 2110-737H
File: Volume I, Tab 8
Date: 02-14-13

BLOWER SECTION

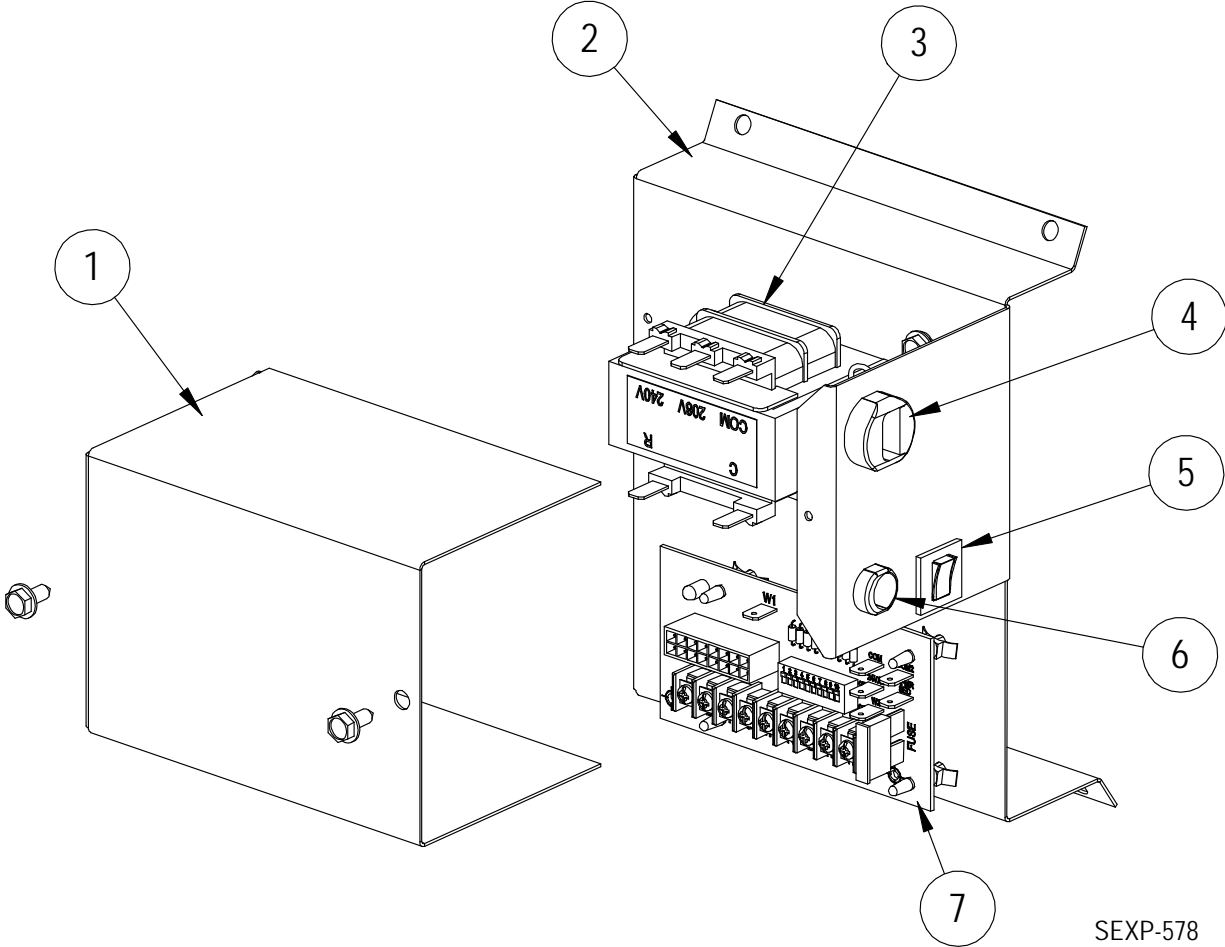
SEXP-576



BLOWER SECTION

| Drawing No. | Part No. | Description | GTB1-A |
|-------------|----------------|--------------------------------------|--------|
| 1 | 900-306 | Complete Blower Assembly | X |
| 2 | 141-351 | Blower Mounting Plate | X |
| 3 | 8620-216 | Motor Mount Band and Arms Kit | X |
| 4 | 151-122 | Blower Housing | X |
| 5 | 103-477 | Blower Offset | 4 |
| 6 | S8107-009-0074 | 3/4 HP Programmed Motor with Control | X |
| 6 | C8107-009-0074 | Motor Control Module Only | X |
| 7 | 5152-049 | Blower Wheel | X |
| 8 | 501-595-1 | Right Side | X |
| 9 | 136-601 | Rear Blower Base Fill Plate | X |
| 10 | S127-389 | Base | X |
| 11 | 136-600 | Front Blower Base Fill Plate | X |
| 12 | S553-480-1 | Front Door | X |
| 13 | 515-184-1 | Front Corner | X |
| 14 | 501-594-1 | Left Side | X |
| 15 | S107-285-1 | Top | X |
| 16 | 141Y349 | Left Blower Top Rail | X |
| 17 | 1012-222 | 1/4-20 Hex Threaded Insert | X |
| 18 | 103-478 | Rear Securing Offset | X |
| 19 | 141X349 | Right Blower Top Rail | X |
| 20 | 509-244-1 | Back | X |
| 21 | | See Control Panel Drawing | X |

BLOWER SECTION

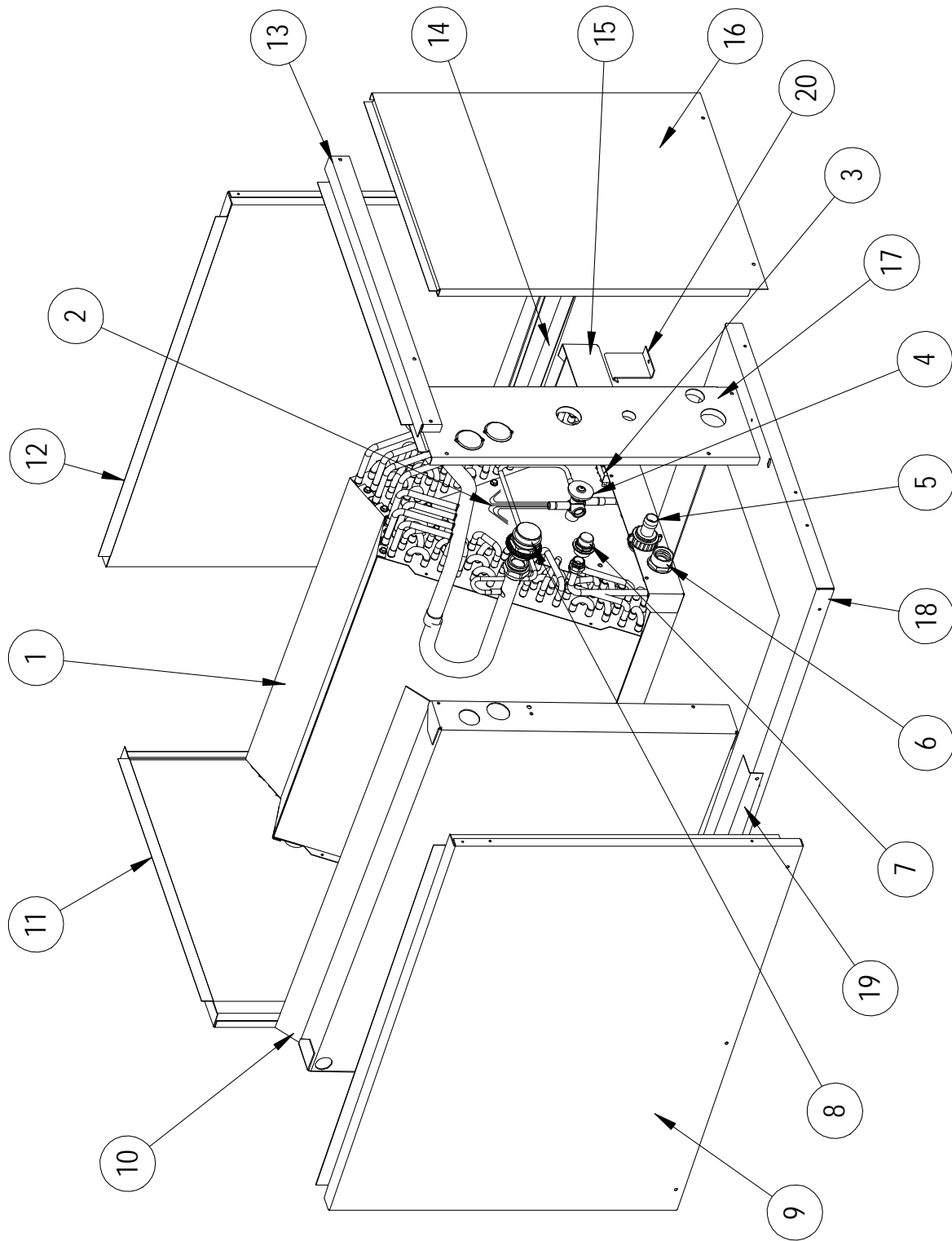


SEXP-578

BLOWER SECTION

| Drawing No. | Part No. | Description | GTB1-A |
|--------------------|-----------------|---------------------------|---------------|
| 1 | S143-143 | Lower Control Panel Cover | X |
| 2 | 117-297 | Lower Control Panel | X |
| 3 | 8407-035 | 50VA Transformer | X |
| 4 | 8611-019 | Strain Relief | X |
| 5 | 8614-036 | 3 Amp Circuit Breaker | X |
| 6 | 8611-020 | Strain Relief | X |
| 7 | 8201-121 | Electronic Control Module | X |
| NS | 3000-1350 | Power Harness | X |
| NS | 3000-1351 | ECM Control Harness | X |

"A" COIL SECTION



SEXP-575

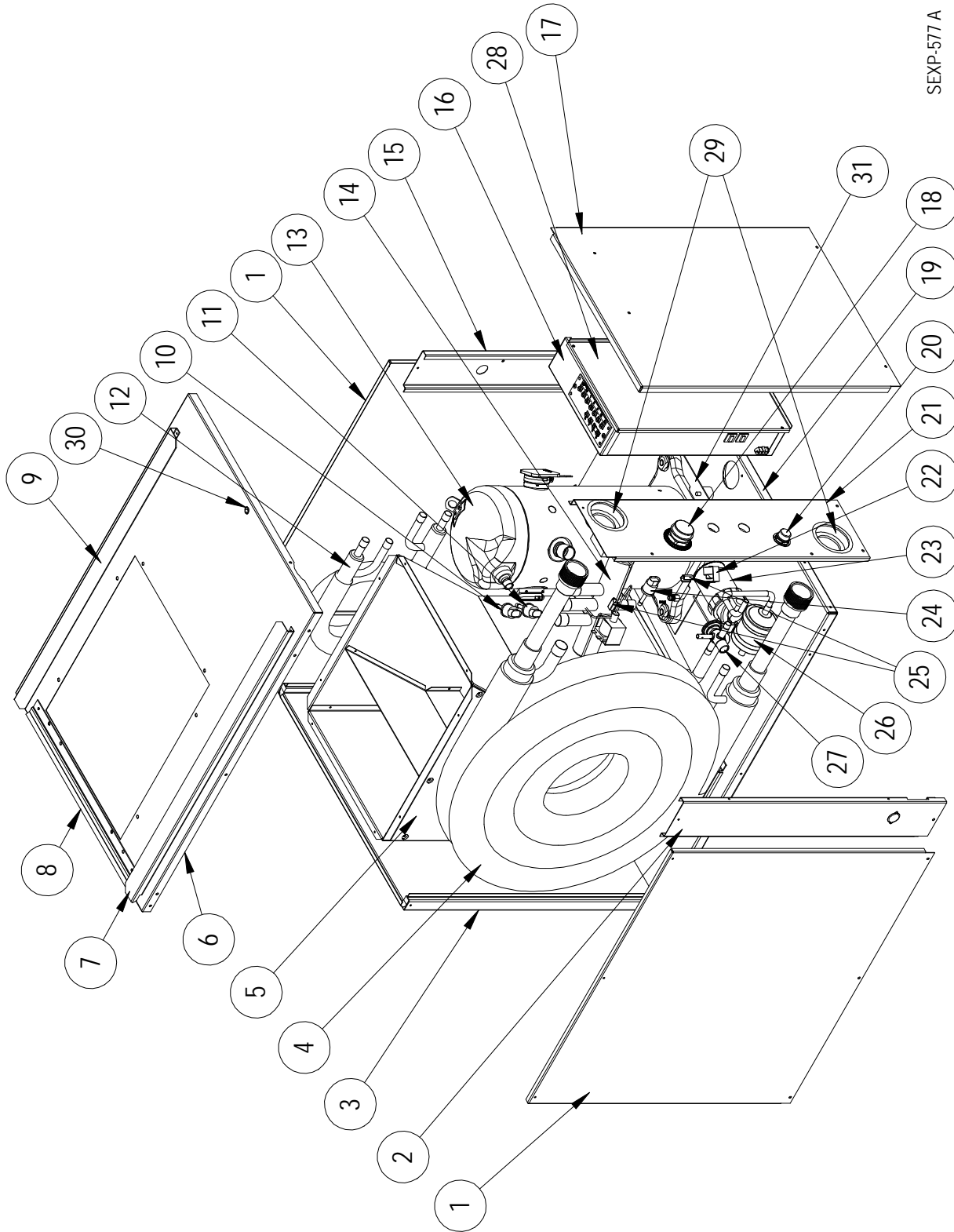
"A" COIL SECTION

GTA3600UD1AA

GTA4860UD1AA

| Drawing No. | Part No. | Description | | |
|-------------|------------|---------------------------------|---|---|
| 1 | S917-0178 | Coated Coil Assembly | X | |
| 1 | S917-0179 | Coated Coil Assembly | | X |
| 2 | 800-0406 | Cooling Distributor | X | X |
| 3 | 8607-017 | Terminal Block | X | X |
| 4 | 5651-210 | Expansion Valve | X | |
| 4 | 5651-212 | Expansion Valve | | X |
| 5 | 6094-011 | 3/4" Barbed Drain Pan Fitting | X | X |
| 6 | 6094-003 | Secondary Drain Pan Fitting | X | X |
| 7 | 7000-042 | 3/8" Male Coupling | X | X |
| 8 | 7000-044 | 3/4" Male Coupling | X | X |
| 9 | 501-592-1 | Left Side | X | X |
| 10 | 123-135 | Horizontal Drain Pan (Optional) | X | X |
| 11 | 509-243-1 | Back | X | X |
| 12 | S501-593-1 | Right Side | X | X |
| 13 | 515-183-1 | Evaporator Front Fill | X | X |
| 14 | 105X1223 | Right Drain Pan Angle | X | X |
| 15 | S123-134 | Drain Pan | X | X |
| 16 | 553-476-1 | Front Door | X | X |
| 17 | 515-182-1 | Evaporator Access Plate | X | X |
| 18 | 527-388 | Base | X | X |
| 19 | 105Y1223 | Left Drain Pan Angle | X | X |
| 20 | 141-352 | Drain Pan Support Clip | X | X |

COMPRESSOR SECTION

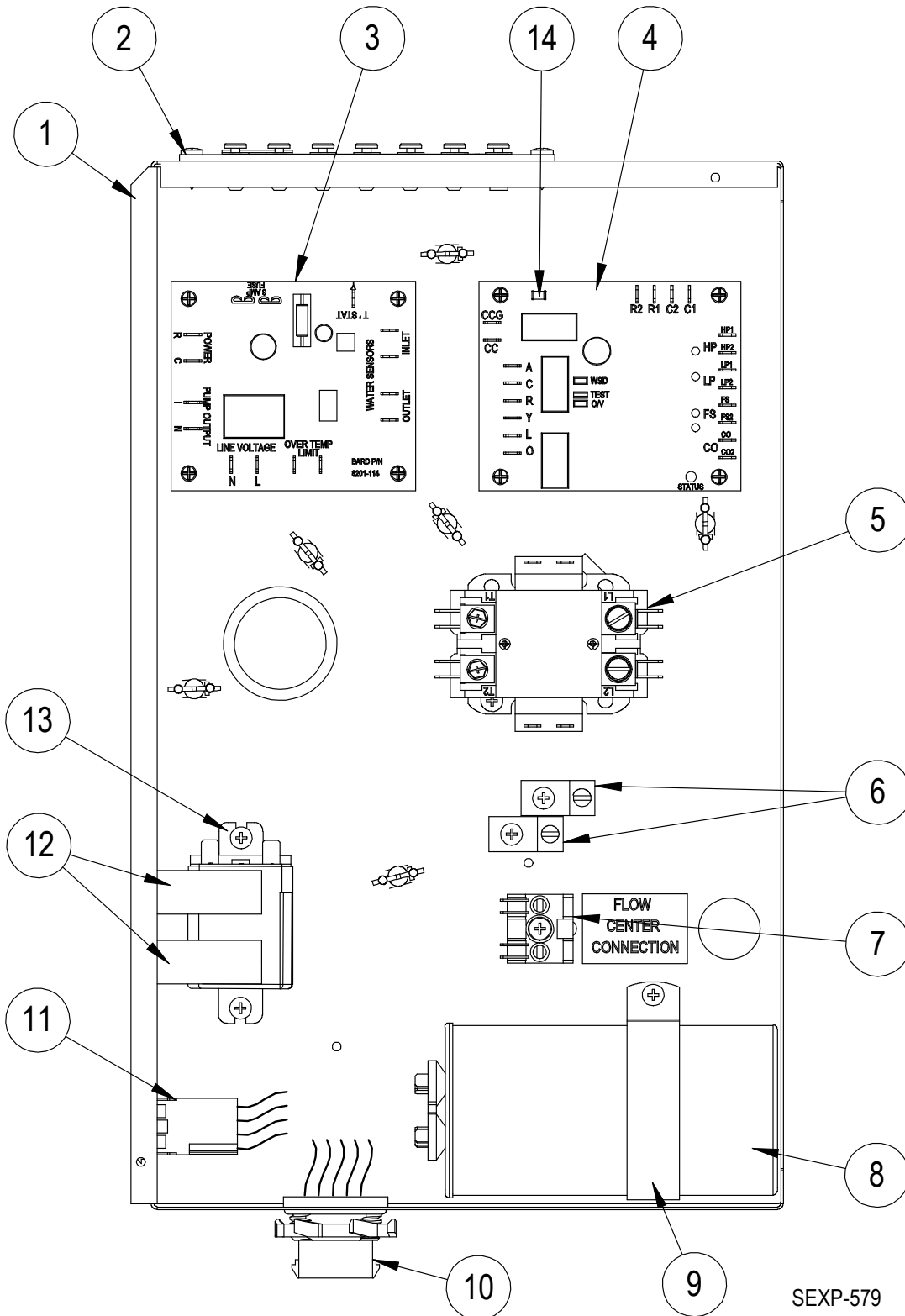


SEXP-577A

COMPRESSOR SECTION

| Drawing No. | Part No. | Description | GTC36S2-ADCX | GTC48S2-ADCX | GTC60S2-ADCX | GTC36S2-ADNX | GTC48S2-ADNX | GTC60S2-ADNX |
|-------------|------------|---|--------------|--------------|--------------|--------------|--------------|--------------|
| 1 | 501-591-1 | Side | 2 | 2 | 2 | 2 | 2 | 2 |
| 2 | 549-113-1 | Left Corner | X | X | X | X | X | X |
| 3 | 509-242-1 | Back | X | X | X | X | X | X |
| 4 | S917-0167 | 3-Ton Water Coil Assembly | X | | | | | |
| 4 | S917-0168 | 4-Ton Water Coil Assembly | | X | | | | |
| 4 | S917-0169 | 5-Ton Water Coil Assembly | | | X | | | |
| 4 | S917-0239 | 3-Ton Cupronickel Coil Assembly | | | | X | | |
| 4 | S917-0240 | 4-Ton Cupronickel Coil Assembly | | | | | X | |
| 4 | S917-0241 | 5-Ton Cupronickel Coil Assembly | | | | | | X |
| 5 | S539-237 | Condenser Duct Assembly | X | X | X | X | X | X |
| 6 | S107-284-1 | Top | X | X | X | X | X | X |
| 7 | 141Y354 | Left Condenser Top Rail | X | X | X | X | X | X |
| 8 | 103-480 | Condenser Hold Down Offset | X | X | X | X | X | X |
| 9 | 141X354 | Right Condenser Top Rail | X | X | X | X | X | X |
| 10 | 1804-0499 | Low Pressure Switch (55 PSIG Open) Yellow | X | X | X | X | X | X |
| 11 | 1804-0496 | Low Pressure Switch (75 PSIG Open) Blue | X | X | X | X | X | X |
| 12 | 917-0171 | Desuperheater Coil Assembly | X | X | X | X | X | X |
| 13 | 8000-379 | Compressor | X | | | X | | |
| 13 | 8000-382 | Compressor | | X | | | X | |
| 13 | 8000-385 | Compressor | | | X | | | X |
| NS | 8001-013 | Compressor Grommet | 4 | 4 | 4 | 4 | 4 | 4 |
| NS | 1012-328 | 5/16-18x1.94 Compressor Bolt | 4 | 4 | 4 | 4 | 4 | 4 |
| 14 | 5650-039 | Reversing Valve with 24V Solenoid Coil | X | | | X | | |
| 14 | 5650-040 | Reversing Valve with 24V Solenoid Coil | | X | X | | X | X |
| 15 | S549-112-1 | Right Corner | X | X | X | X | X | X |
| 16 | | See Control Panel Drawing | X | X | X | X | X | X |
| 17 | S553-475-1 | Condenser Service Door | X | X | X | X | X | X |
| 18 | 7000-042 | 3/4" Male Coupling | X | X | X | X | X | X |
| 19 | 527-387 | Base | X | X | X | X | X | X |
| 20 | 7000-044 | 3/8" Male Coupling | X | X | X | X | X | X |
| 21 | S515-180-1 | Front Panel | X | X | X | X | X | X |
| 22 | 8402-171 | Water Temperature Limit | X | X | X | X | X | X |
| 23 | 910-1765 | Circulating Pump Assembly | X | X | X | X | X | X |
| 24 | 8406-111 | High Pressure Switch | X | X | X | X | X | X |
| 25 | 8408-040 | Inlet Thermistor (Black Wires) | X | X | X | X | X | X |
| 25 | 8408-043 | Outlet Thermistor (Red Wires) | X | X | X | X | X | X |
| 26 | 5201-020 | Filter Drier | X | X | X | X | X | X |
| 27 | 5651-210 | Expansion Valve | X | | | X | | |
| 27 | 5651-211 | Expansion Valve | | X | | | X | |
| 27 | 5651-212 | Expansion Valve | | | X | | | X |
| 28 | S143-142 | Control Panel Cover | X | X | X | X | X | X |
| 29 | 6094-013 | Closeout | 2 | 2 | 2 | 2 | 2 | 2 |
| 30 | 1012-222 | 1/4-20 Hex Threaded Insert | X | X | X | X | X | X |
| 31 | 140-369 | Compressor Support Plate | X | X | X | X | X | X |
| NS | 5451-018 | Grommet | 4 | 4 | 4 | 4 | 4 | 4 |
| NS | 1012-221 | 1/4-20 Hex Flange Nut | 8 | 8 | 8 | 8 | 8 | 8 |

COMPRESSOR SECTION



SEXP-579

COMPRESSOR SECTION

| Drawing No. | Part No. | Description | GTC36S2-ADCX | GTC48S2-ADCX | GTC60S2-ADCX |
|-------------|-----------|-----------------------------|--------------|--------------|--------------|
| 1 | 117-296 | Control Panel | X | X | X |
| 2 | 8607-029 | Terminal Strip | X | X | X |
| 3 | 8201-114 | Desuperheater Control Board | X | X | X |
| 4 | 8201-140 | Geothermal Logic Control | X | X | X |
| 5 | 8401-033 | 2-Pole Contactor 20 Amp | X | | |
| 5 | 8401-034 | 2-Pole Contactor 40 Amp | | X | X |
| 6 | 8611-006 | Terminal | 2 | 2 | 2 |
| 7 | 8607-030 | Screw to Tab Terminal Block | X | X | X |
| 8 | 8552-035 | Capacitor 40MFD 370V | X | | |
| 8 | 8552-095 | Capacitor 30MFD 370V | | X | |
| 8 | 8552-096 | Capacitor 40MFD 440V | | | X |
| 9 | 8550-010 | Capacitor Bracket | | X | |
| 9 | 8550-035 | Capacitor Bracket | X | | X |
| 10 | 3000-1352 | Wire Assembly | X | X | X |
| 11 | 3000-1353 | Wire Assembly | X | X | X |
| 12 | 8614-036 | Mini Circuit Breaker 3 Amp | 2 | 2 | 2 |
| 13 | 8201-048 | Relay | X | X | X |
| 14 | 8614-052 | 3.15 Amp Glass Mini Fuse | X | X | X |