
Water-to-Water Geothermal Heat Pump

REPLACEMENT PARTS MANUAL

MODELS: **GW0241S1-A*H*CX**
 GW0361S1-A*H*CX
 GW0481S1-A*H*CX
 GW0601S1-A*H*CX
 GW0701S1-A*H*CX

General Notes

- Revised and/or additional pages may be issued from time to time.
- A complete and current manual consists of pages shown in the following contents section.

Important

- Contact the installing and/or local distributor for all parts requirements. Make sure you have the complete model and serial number available from the unit rating plates.

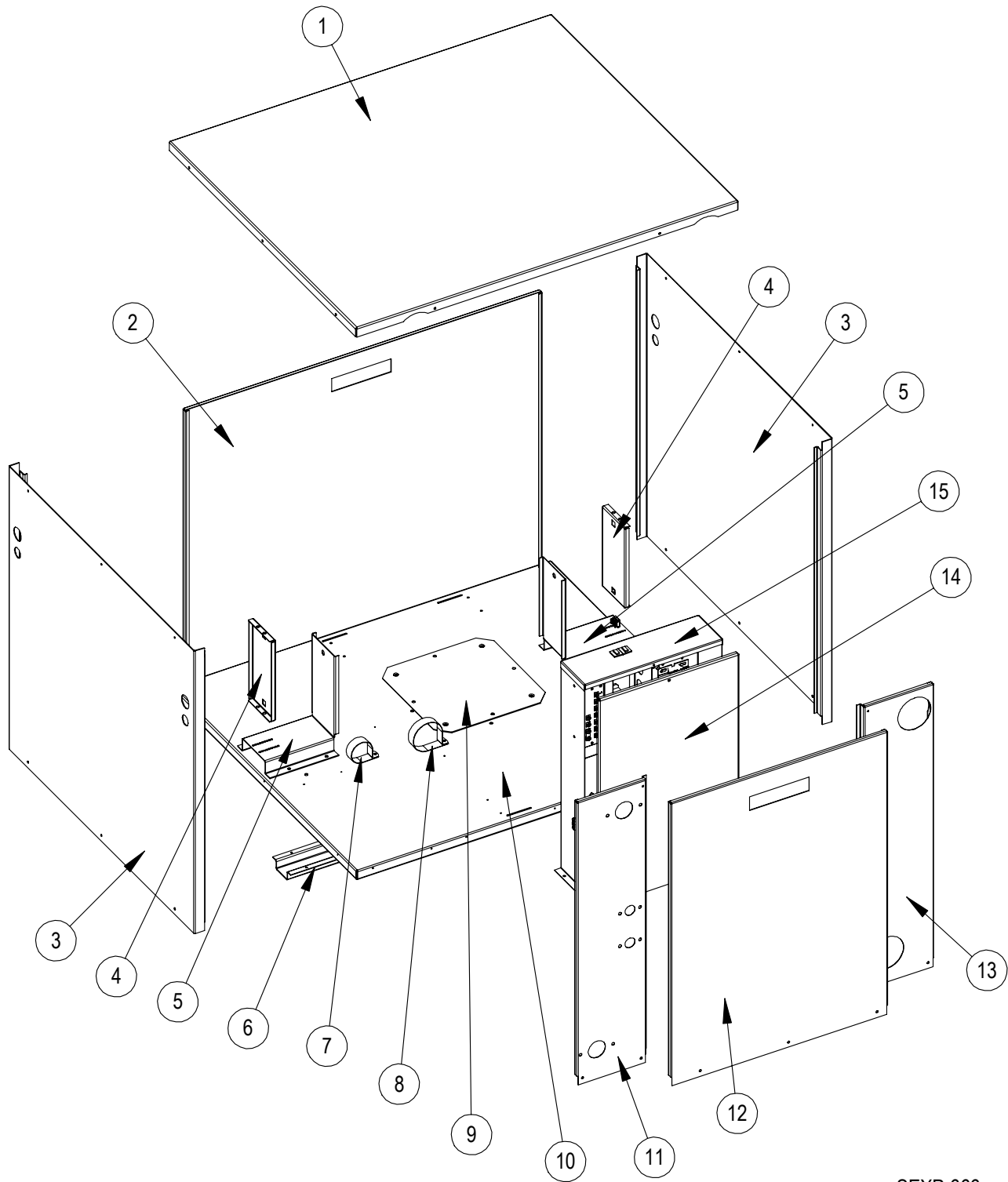
Contents

<i>Description</i>	<i>Page</i>
Cabinet Components	
♦ Exploded View	2
♦ Usage List	3
Functional Components	
♦ Exploded View	4
♦ Usage List	5
Control Panel	
♦ Exploded View	6
♦ Usage List	7

BMC, Inc.
Bryan, Ohio 43506

Manual: 2110-740
Supersedes: **NEW**
File: Tab 8
Date: 06-13-13

CABINET COMPONENTS



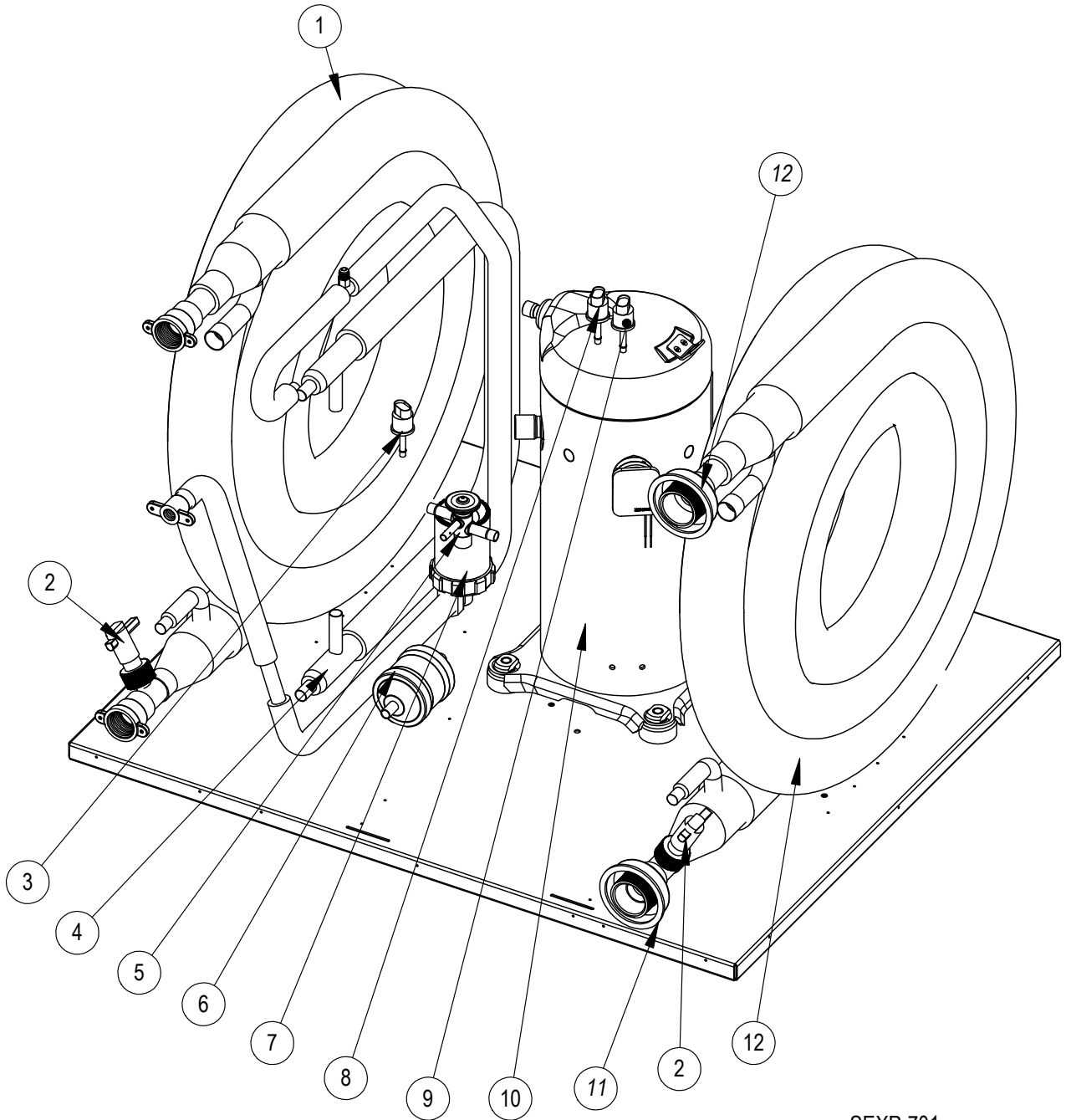
SEXP-666

CABINET COMPONENTS

Drawing No.	Part No.	Description	GW0241S1-A1H*CX	GW0361S1-A1H*CX	GW0481S1-A1H*CX	GW0601S1-A1H*CX	GW0701S1-A1H*CX	GW0241S1-AXH*CX	GW0361S1-AXH*CX	GW0481S1-AXH*CX	GW0601S1-AXH*CX	GW0701S1-AXH*CX
1	S107-313-4	Top	X	X	X	X	X	X	X	X	X	X
2	553-546-4	Rear Door	X	X	X	X	X	X	X	X	X	X
3	501-717-4	Side	2	2	2	2	2	2	2	2	2	2
4	141-401	Coil Support	2	2	2	2	2	2	2	2	2	2
5	141-400	Coil Bracket	2	2	2	2	2	2	2	2	2	2
6	141-387	Base Rail	X	X	X	X	X	X	X	X	X	X
7	8550-010	1-3/4 strap	X	X	X	X	X					
8	8550-011	2-1/2 strap	X	X	X	X	X	X	X	X	X	X
9	140-369	Compressor Support Plate	X	X	X	X	X	X	X	X	X	X
10	127-438	Base	X	X	X	X	X	X	X	X	X	X
11	115-228-4	Left Front Door	X	X								
11	115-226-4	Left Front Door			X							
11	115-224-4	Left Front Door				X						
11	115-222-4	Left Front Door					X					
11	115-250-4	Left Front Door						X	X			
11	115-249-4	Left Front Door								X		
11	115-248-4	Left Front Door									X	
11	115-247-4	Left Front Door										X
12	S553-546-4	Front Door	X	X	X	X	X	X	X	X	X	X
13	115-229-4	Right Front Door	X	X				X	X			
13	115-227-4	Right Front Door			X					X		
13	115-225-4	Right Front Door				X					X	
13	115-223-4	Right Front Door					X					X
14	133-234	Control Panel Door	X	X	X	X	X	X	X	X	X	X
15		Control Panel (See Control Panel Drawing)	X	X	X	X	X	X	X	X	X	X

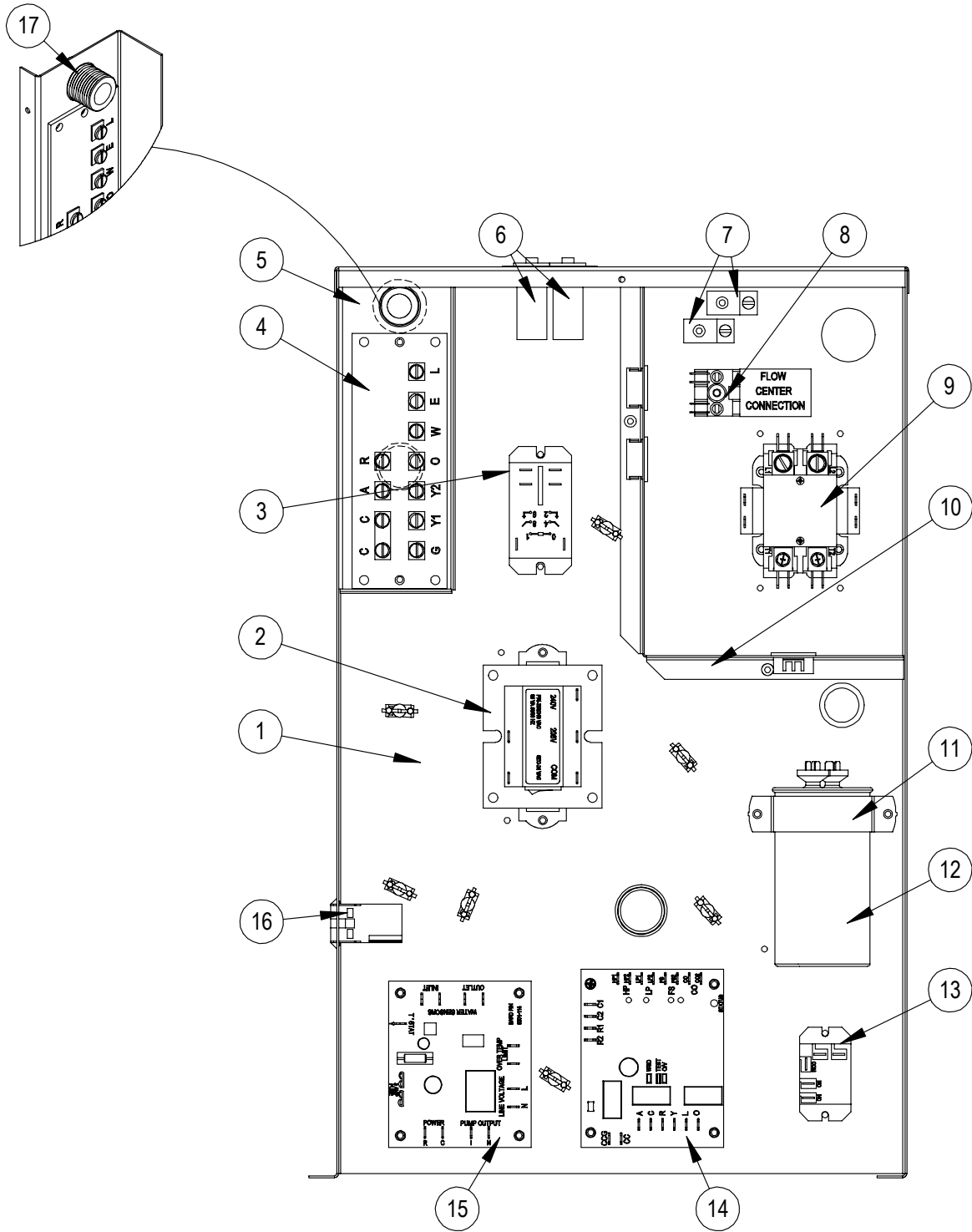
* C = Copper Source Coil
 N = Cupronickel Source Coil

FUNCTIONAL COMPONENTS



SEXP-701

CONTROL PANEL



SEXP-664

CONTROL PANEL

Drawing No.	Part No.	Description	GW0241S1-A1H*CX	GW0361S1-A1H*CX	GW0481S1-A1H*CX	GW0601S1-A1H*CX	GW0701S1-A1H*CX	GW0241S1-AXH*CX	GW0361S1-AXH*CX	GW0481S1-AXH*CX	GW0601S1-AXH*CX	GW0701S1-AXH*CX
1	117-337	Control Panel	X	X	X	X	X	X	X	X	X	X
2	8407-048	75VA Transformer w/Circuit Breaker	X	X	X	X	X	X	X	X	X	X
3	8401-036	Flow Center Relay	X	X	X	X	X	X	X	X	X	X
4	8607-029	Low Voltage Terminal Strip	X	X	X	X	X	X	X	X	X	X
5	117-338	Low Voltage Partition	X	X	X	X	X	X	X	X	X	X
6	8614-036	Circuit Breaker 3A	2	2	2	2	2	2	2	2	2	2
7	8611-006	Grounding Terminal	2	2	2	2	2	2	2	2	2	2
8	8607-030	Flow Center Terminal Block	X	X	X	X	X	X	X	X	X	X
9	8401-033	Contactor 2-Pole 20A	X	X				X	X			
9	8401-034	Contactor 2-Pole 40A			X	X	X			X	X	X
10	117-339	Field Wire Barrier	X	X	X	X	X	X	X	X	X	X
11	8550-006	Capacitor Bracket	X		X			X		X		
11	8550-007	Capacitor Bracket		X		X	X		X		X	X
12	8552-086	Capacitor 35MFD 370V	X					X				
12	8552-035	Capacitor 40MFD 370V		X					X			
12	8552-095	Capacitor 30MFD 370V			X					X		
12	8552-096	Capacitor 40MFD 440V				X	X				X	X
13	8201-130	Flow Switch Bypass Relay	X	X	X	X	X					
14	8201-140	Geothermal Logic Control	X	X	X	X	X	X	X	X	X	X
15	8201-114	Desuperheater Logic Control	X	X	X	X	X					
16	3000-1353	Wire Assembly	X	X	X	X	X					
17	8611-124	1/2" Snap Lock Fitting	X	X	X	X	X	X	X	X	X	X
NS	3000-1427	Compressor Power Harness	X	X	X	X	X	X	X	X	X	X
NS	3000-1436	Compressor Staging Solenoid Harness	X	X	X	X	X	X	X	X	X	X

* C = Copper Source Coil
 N = Cupronickel Source Coil