

---

# REPLACEMENT PARTS MANUAL

# WALL MOUNTED GAS/ELECTRIC

MODELS: **WG241**  
**WG301**  
**WG361**

---

## General Notes

- Revised and/or additional pages may be issued from time to time.
- A complete and current manual consists of pages shown in the following contents section.

## Important

- Contact the installing and/or local Bard distributor for all parts requirements. Make sure you have the complete model and serial number available from the unit rating plates.

## Contents

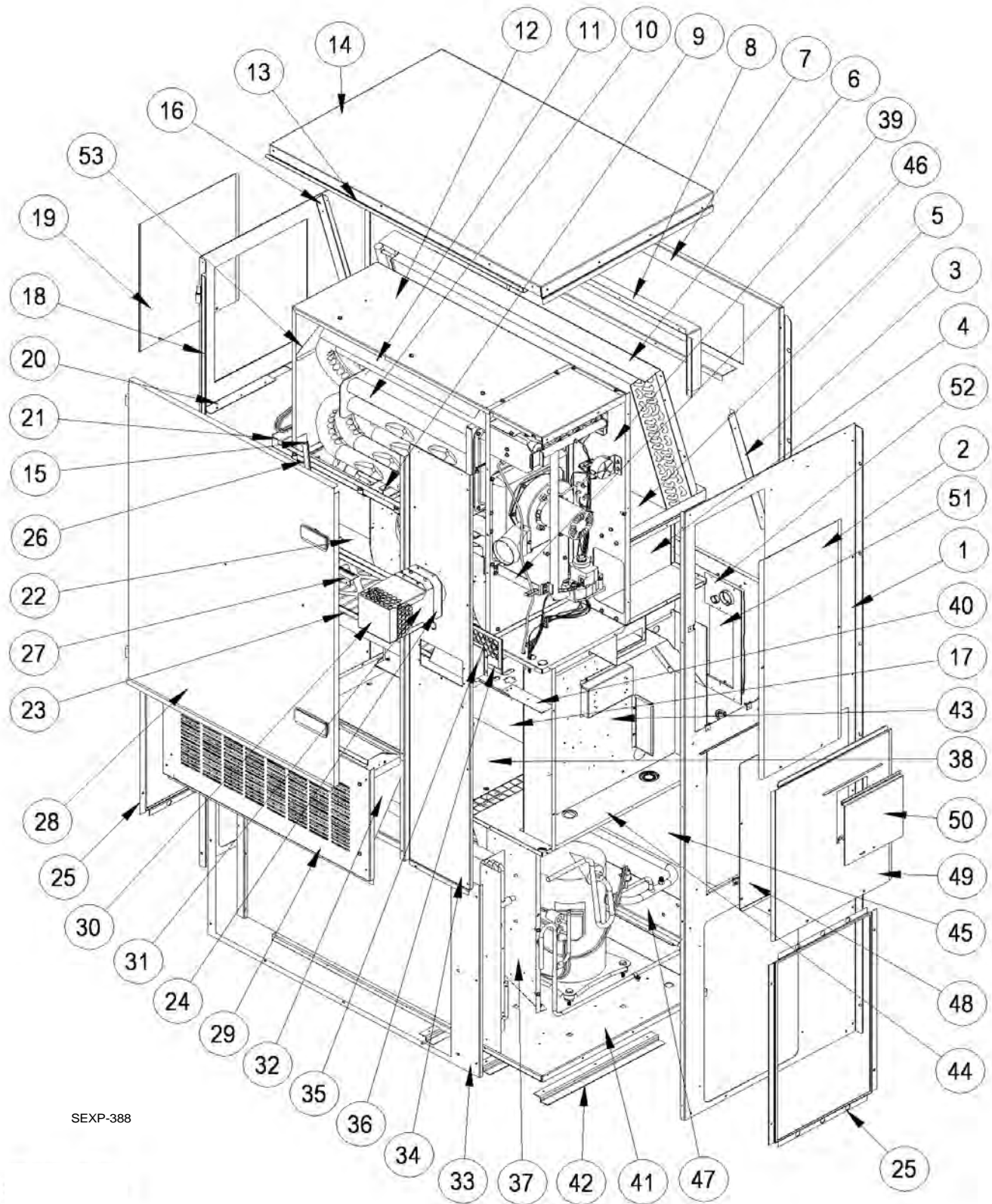
<i>Description</i>	<i>Page</i>
Cabinet Components	
♦ Exploded View .....	1
♦ Usage List .....	2
♦ Usage List .....	3
♦ Usage List .....	4
♦ Usage List .....	5
♦ Usage List .....	6
♦ Usage List .....	7
♦ Blank Page .....	8
Functional Components	
♦ Exploded View .....	9
♦ Usage List .....	10
♦ Usage List .....	11
♦ Usage List .....	12
Functional Components	
♦ Exploded View .....	13
♦ Usage List .....	14
♦ Usage List .....	15
♦ Usage List .....	16
Control Panel	
♦ Layout .....	17
♦ Usage List .....	18
Blower Assembly	
♦ Exploded View .....	19
♦ Usage List .....	19



BARD MANUFACTURING COMPANY  
Bryan, Ohio 43506  
*Since 1914...Moving ahead, just as planned.*

Manual: 2110-805A  
Supersedes: 2110-805  
File: Vol. III Tab 20  
Date: 07-31-03

# CABINET COMPONENTS



SEXP-388

**This drawing to be used as reference for Pages 2, 3, 4, 5, 6 and 7.**

# CABINET COMPONENTS

Dwg No.	Part No.	Description	WG241-AXA	WG241-AXB	WG241-AXC	WG241-BXA	WG241-BXB	WG241-BXC	WG241-CXA	WG241-CXB	WG241-CXC
1	501-398-*	Right Side Assembly	X	X	X	X	X	X	X	X	X
2	153-347-*	Vestibule Service Door	X	X	X	X	X	X	X	X	X
3	105X1073	Right Evaporator Support Angle	X	X	X	X	X	X	X	X	X
4	541-285	Right Drain Pan Support Assembly	X	X	X	X	X	X	X	X	X
5	523-107	Drain Pan Assembly	X	X	X	X	X	X	X	X	X
6	105-1115	Evaporator Coil Fill Angle	X	X	X	X	X	X	X	X	X
7	509-166	Upper Back	X	X	X	X	X	X	X	X	X
8	111-091	Supply Air Frame	2	2	2	2	2	2	2	2	2
9	103-452	Heat Exchanger Support Offset	X	X	X	X	X	X	X	X	X
10	Heat Exch Assy	See Burner Components Diagram									
11	105-1113	Top Heat Exchanger Deflector	X	X	X	X	X	X	X	X	X
12	135-200	Inner Air Baffle	X	X	X	X	X	X	X	X	X
13	165-573-*	Top Rain Channel	X	X	X	X	X	X	X	X	X
14	507-227-*	Top Assembly	X	X	X	X	X	X	X	X	X
15	105-1112	Door Stop Gusset	X	X	X	X	X	X	X	X	X
16	105Y1073	Left Evaporator Support Angle	X	X	X	X	X	X	X	X	X
17	542-082	Rear Block Off Plate Assembly	X	X	X	X	X	X	X	X	X
18	501-399-*	Left Side Assembly	X	X	X	X	X	X	X	X	X
19	543-070-*	Left Access Cover	X	X	X	X	X	X	X	X	X
20	105-1108	Left Support Angle	X	X	X	X	X	X	X	X	X
21	121-353	Blower Partition	X	X	X	X	X	X	X	X	X
22	900-255	Complete Blower Assembly - 230V	X	X	X	X	X				
22	900-256	Complete Blower Assembly - 460V							X	X	X
23	131-137	Filter Tray	X	X	X	X	X	X	X	X	X
24	1921-051	Vent Terminal Gasket	X	X	X	X	X	X	X	X	X
25	118-056-*	Side Grille	2	2	2	2	2	2	2	2	2
26	103-440	Door Stop Angle	X	X	X	X	X	X	X	X	X

**Continued on page 3**

\* Exterior cabinet parts are manufactured with various paint color options. To insure that you receive the proper paint color, you must include the complete model and serial number of the unit for which cabinet parts are being ordered.

**Refer to drawing on Page 1**

# CABINET COMPONENTS

Dwg No.	Part No.	Description	WG241-AXA	WG241-AXB	WG241-AXC	WG241-BXA	WG241-BXB	WG241-BXC	WG241-CXA	WG241-CXB	WG241-CXC
<b>Continued from Page 2</b>											
27	105-1069	Door Stop Slide	X	X	X	X	X	X	X	X	X
28	553-345-*	Front Door Assembly	X	X	X	X	X	X	X	X	X
29	553-346-*	Vent Option Door Assembly	X	X	X	X	X	X	X	X	X
30	169-119	Outer Vent Hood	X	X	X	X	X	X	X	X	X
31	169-120	Inner Vent Hood	X	X	X	X	X	X	X	X	X
32	962157	Barometric Fresh Air Damper	X	X	X	X	X	X	X	X	X
33	118-059-*	Condenser Grille	X	X	X	X	X	X	X	X	X
34	549-095-*	Right Front Corner Assembly	X	X	X	X	X	X	X	X	X
35	135-181-*	Air Intake Hood	X	X	X	X	X	X	X	X	X
36	134-182-*	Air Intake Back	X	X	X	X	X	X	X	X	X
37	125-028	Fan Shroud	X	X	X	X	X	X	X	X	X
38	542-081	Front Block Off Plate Assembly	X	X	X	X	X	X	X	X	X
39	541-286	Heat Exchanger Support Assembly	X	X	X	X	X	X	X	X	X
40	142-080	Filter Blank Off Plate	X	X	X	X	X	X	X	X	X
41	127-318	Lower Base	X	X	X	X	X	X	X	X	X
42	103-449	Lower Base Offset	3	3	3	3	3	3	3	3	3
43	902-1142	Control Panel Assembly	X	X	X						
43	902-1145	Control Panel Assembly				X	X	X			
43	902-1148	Control Panel Assembly							X	X	X
44	521-352	Condenser Partition Assembly	X	X	X	X	X	X	X	X	X
45	509-167	Lower Back Assembly	X	X	X	X	X	X	X	X	X
46	113-268	Manifold Bracket	X	X	X	X	X	X	X	X	X
47	113-140	Bottom Support Bracket	X	X	X	X	X	X	X	X	X
48	113-163	Control Panel Cover (Inner)	X	X	X	X	X	X	X	X	X
49	S533-162-*	Control Panel Cover Assembly	X	X	X	X	X	X	X	X	X
50	153-328-*	Disconnect Access Door	X	X	X	X	X	X	X	X	X
51	134-199	Conduit Access Panel	X	X	X	X	X	X	X	X	X
52	156-030	Conduit Entrance Plate	X	X	X	X	X	X	X	X	X
53	135-200	Inner Furnace Air Baffle	X	X	X	X	X	X	X	X	X

\* Exterior cabinet parts are manufactured with various paint color options. To insure that you receive the proper paint color, you must include the complete model and serial number of the unit for which cabinet parts are being ordered.

Refer to drawing on Page 1

## CABINET COMPONENTS

Dwg No.	Part No.	Description	WG301-AXA	WG301-AXB	WG301-AXC	WG301-BXA	WG301-BXB	WG301-BXC	WG301-CXA	WG301-CXB	WG301-CXC
1	501-398-*	Right Side Assembly	X	X	X	X	X	X	X	X	X
2	153-347-*	Vestibule Service Door	X	X	X	X	X	X	X	X	X
3	105X1073	Right Evaporator Support Angle	X	X	X	X	X	X	X	X	X
4	541-285	Right Drain Pan Support Assembly	X	X	X	X	X	X	X	X	X
5	523-107	Drain Pan Assembly	X	X	X	X	X	X	X	X	X
6	105-1115	Evaporator Coil Fill Angle	X	X	X	X	X	X	X	X	X
7	509-166	Upper Back	X	X	X	X	X	X	X	X	X
8	111-091	Supply Air Frame	2	2	2	2	2	2	2	2	2
9	103-452	Heat Exchanger Support Offset	X	X	X	X	X	X	X	X	X
10	Heat Exch Assy	See Burner Components Diagram									
11	105-1113	Top Heat Exchanger Deflector	X	X	X	X	X	X	X	X	X
12	135-200	Inner Air Baffle	X	X	X	X	X	X	X	X	X
13	165-573-*	Top Rain Channel	X	X	X	X	X	X	X	X	X
14	507-227-*	Top Assembly	X	X	X	X	X	X	X	X	X
15	105-1112	Door Stop Gusset	X	X	X	X	X	X	X	X	X
16	105Y1073	Left Evaporator Support Angle	X	X	X	X	X	X	X	X	X
17	542-082	Rear Block Off Plate Assembly	X	X	X	X	X	X	X	X	X
18	501-399-*	Left Side Assembly	X	X	X	X	X	X	X	X	X
19	543-070-*	Left Access Cover	X	X	X	X	X	X	X	X	X
20	105-1108	Left Support Angle	X	X	X	X	X	X	X	X	X
21	121-353	Blower Partition	X	X	X	X	X	X	X	X	X
22	900-255	Complete Blower Assembly - 230V	X	X	X	X	X				
22	900-256	Complete Blower Assembly - 460V							X	X	X
23	131-137	Filter Tray	X	X	X	X	X	X	X	X	X
24	1921-051	Vent Terminal Gasket	X	X	X	X	X	X	X	X	X
25	118-056-*	Side Grille	2	2	2	2	2	2	2	2	2
26	103-440	Door Stop Angle	X	X	X	X	X	X	X	X	X

**Continued on page 5**

- \* Exterior cabinet parts are manufactured with various paint color options. To insure that you receive the proper paint color, you must include the complete model and serial number of the unit for which cabinet parts are being ordered.

**Refer to drawing on Page 1**

# CABINET COMPONENTS

Dwg No.	Part No.	Description	WG301-AXA	WG301-AXB	WG301-AXC	WG301-BXA	WG301-BXB	WG301-BXC	WG301-CXA	WG301-CXB	WG301-CXC
<b>Continued from Page 4</b>											
27	105-1069	Door Stop Slide	X	X	X	X	X	X	X	X	X
28	553-345-*	Front Door Assembly	X	X	X	X	X	X	X	X	X
29	553-346-*	Vent Option Door Assembly	X	X	X	X	X	X	X	X	X
30	169-119	Outer Vent Hood	X	X	X	X	X	X	X	X	X
31	169-120	Inner Vent Hood	X	X	X	X	X	X	X	X	X
32	962157	Barometric Fresh Air Damper	X	X	X	X	X	X	X	X	X
33	118-059-*	Condenser Grille	X	X	X	X	X	X	X	X	X
34	549-095-*	Right Front Corner Assembly	X	X	X	X	X	X	X	X	X
35	135-181-*	Air Intake Hood	X	X	X	X	X	X	X	X	X
36	134-182-*	Air Intake Back	X	X	X	X	X	X	X	X	X
37	125-028	Fan Shroud	X	X	X	X	X	X	X	X	X
38	542-081	Front Block Off Plate Assembly	X	X	X	X	X	X	X	X	X
39	541-286	Heat Exchanger Support Assembly	X	X	X	X	X	X	X	X	X
40	142-080	Filter Blank Off Plate	X	X	X	X	X	X	X	X	X
41	127-318	Lower Base	X	X	X	X	X	X	X	X	X
42	103-449	Lower Base Offset	3	3	3	3	3	3	3	3	3
43	902-1143	Control Panel Assembly	X	X	X						
43	902-1146	Control Panel Assembly				X	X	X			
43	902-1148	Control Panel Assembly							X	X	X
44	521-352	Condenser Partition Assembly	X	X	X	X	X	X	X	X	X
45	509-167	Lower Back Assembly	X	X	X	X	X	X	X	X	X
46	113-268	Manifold Bracket	X	X	X	X	X	X	X	X	X
47	113-140	Bottom Support Bracket	X	X	X	X	X	X	X	X	X
48	113-163	Control Panel Cover (Inner)	X	X	X	X	X	X	X	X	X
49	S533-162-*	Control Panel Cover Assembly	X	X	X	X	X	X	X	X	X
50	153-328-*	Disconnect Access Door	X	X	X	X	X	X	X	X	X
51	134-199	Conduit Access Panel	X	X	X	X	X	X	X	X	X
52	156-030	Conduit Entrance Plate	X	X	X	X	X	X	X	X	X
53	135-200	Inner Furnace Air Baffle	X	X	X	X	X	X	X	X	X

\* Exterior cabinet parts are manufactured with various paint color options. To insure that you receive the proper paint color, you must include the complete model and serial number of the unit for which cabinet parts are being ordered.

**Refer to drawing on Page 1**

# CABINET COMPONENTS

Dwg No.	Part No.	Description	WG361-AXA	WG361-AXB	WG361-AXC	WG361-BXA	WG361-BXB	WG361-BXC	WG361-CXA	WG361-CXB	WG361-CXC
1	501-398-*	Right Side Assembly	X	X	X	X	X	X	X	X	X
2	153-347-*	Vestibule Service Door	X	X	X	X	X	X	X	X	X
3	105X1073	Right Evaporator Support Angle	X	X	X	X	X	X	X	X	X
4	541-285	Right Drain Pan Support Assembly	X	X	X	X	X	X	X	X	X
5	523-107	Drain Pan Assembly	X	X	X	X	X	X	X	X	X
6	105-1115	Evaporator Coil Fill Angle	X	X	X	X	X	X	X	X	X
7	509-166	Upper Back	X	X	X	X	X	X	X	X	X
8	111-091	Supply Air Frame	2	2	2	2	2	2	2	2	2
9	103-452	Heat Exchanger Support Offset	X	X	X	X	X	X	X	X	X
10	Heat Exch Assy	See Burner Components Diagram									
11	105-1113	Top Heat Exchanger Deflector	X	X	X	X	X	X	X	X	X
12	135-200	Inner Air Baffle	X	X	X	X	X	X	X	X	X
13	165-573-*	Top Rain Channel	X	X	X	X	X	X	X	X	X
14	507-227-*	Top Assembly	X	X	X	X	X	X	X	X	X
15	105-1112	Door Stop Gusset	X	X	X	X	X	X	X	X	X
16	105Y1073	Left Evaporator Support Angle	X	X	X	X	X	X	X	X	X
17	542-082	Rear Block Off Plate Assembly	X	X	X	X	X	X	X	X	X
18	501-399-*	Left Side Assembly	X	X	X	X	X	X	X	X	X
19	543-070-*	Left Access Cover	X	X	X	X	X	X	X	X	X
20	105-1108	Left Support Angle	X	X	X	X	X	X	X	X	X
21	121-353	Blower Partition	X	X	X	X	X	X	X	X	X
22	900-255	Complete Blower Assembly - 230V	X	X	X	X	X				
22	900-256	Complete Blower Assembly - 460V							X	X	X
23	131-137	Filter Tray	X	X	X	X	X	X	X	X	X
24	1921-051	Vent Terminal Gasket	X	X	X	X	X	X	X	X	X
25	118-056-*	Side Grille	2	2	2	2	2	2	2	2	2
26	103-440	Door Stop Angle	X	X	X	X	X	X	X	X	X

Continued on page 7

\* Exterior cabinet parts are manufactured with various paint color options. To insure that you receive the proper paint color, you must include the complete model and serial number of the unit for which cabinet parts are being ordered.

Refer to drawing on Page 1

# CABINET COMPONENTS

Dwg No.	Part No.	Description	WG361-AXA	WG361-AXB	WG361-AXC	WG361-BXA	WG361-BXB	WG361-BXC	WG361-CXA	WG361-CXB	WG361-CXC
Continued from Page 6											
27	105-1069	Door Stop Slide	X	X	X	X	X	X	X	X	X
28	553-345-*	Front Door Assembly	X	X	X	X	X	X	X	X	X
29	553-346-*	Vent Option Door Assembly	X	X	X	X	X	X	X	X	X
30	169-119	Outer Vent Hood	X	X	X	X	X	X	X	X	X
31	169-120	Inner Vent Hood	X	X	X	X	X	X	X	X	X
32	962157	Barometric Fresh Air Damper	X	X	X	X	X	X	X	X	X
33	118-059-*	Condenser Grille	X	X	X	X	X	X	X	X	X
34	549-095-*	Right Front Corner Assembly	X	X	X	X	X	X	X	X	X
35	135-181-*	Air Intake Hood	X	X	X	X	X	X	X	X	X
36	134-182-*	Air Intake Back	X	X	X	X	X	X	X	X	X
37	125-028	Fan Shroud	X	X	X	X	X	X	X	X	X
38	542-081	Front Block Off Plate Assembly	X	X	X	X	X	X	X	X	X
39	541-286	Heat Exchanger Support Assembly	X	X	X	X	X	X	X	X	X
40	142-080	Filter Blank Off Plate	X	X	X	X	X	X	X	X	X
41	127-318	Lower Base	X	X	X	X	X	X	X	X	X
42	103-449	Lower Base Offset	3	3	3	3	3	3	3	3	3
43	902-1144	Control Panel Assembly	X	X	X						
43	902-1146	Control Panel Assembly				X	X	X			
43	902-1148	Control Panel Assembly							X	X	X
44	521-352	Condenser Partition Assembly	X	X	X	X	X	X	X	X	X
45	509-167	Lower Back Assembly	X	X	X	X	X	X	X	X	X
46	113-268	Manifold Bracket	X	X	X	X	X	X	X	X	X
47	113-140	Bottom Support Bracket	X	X	X	X	X	X	X	X	X
48	113-163	Control Panel Cover (Inner)	X	X	X	X	X	X	X	X	X
49	S533-162-*	Control Panel Cover Assembly	X	X	X	X	X	X	X	X	X
50	153-328-*	Disconnect Access Door	X	X	X	X	X	X	X	X	X
51	134-199	Conduit Access Panel	X	X	X	X	X	X	X	X	X
52	156-030	Conduit Entrance Plate	X	X	X	X	X	X	X	X	X
53	135-200	Inner Furnace Air Baffle	X	X	X	X	X	X	X	X	X

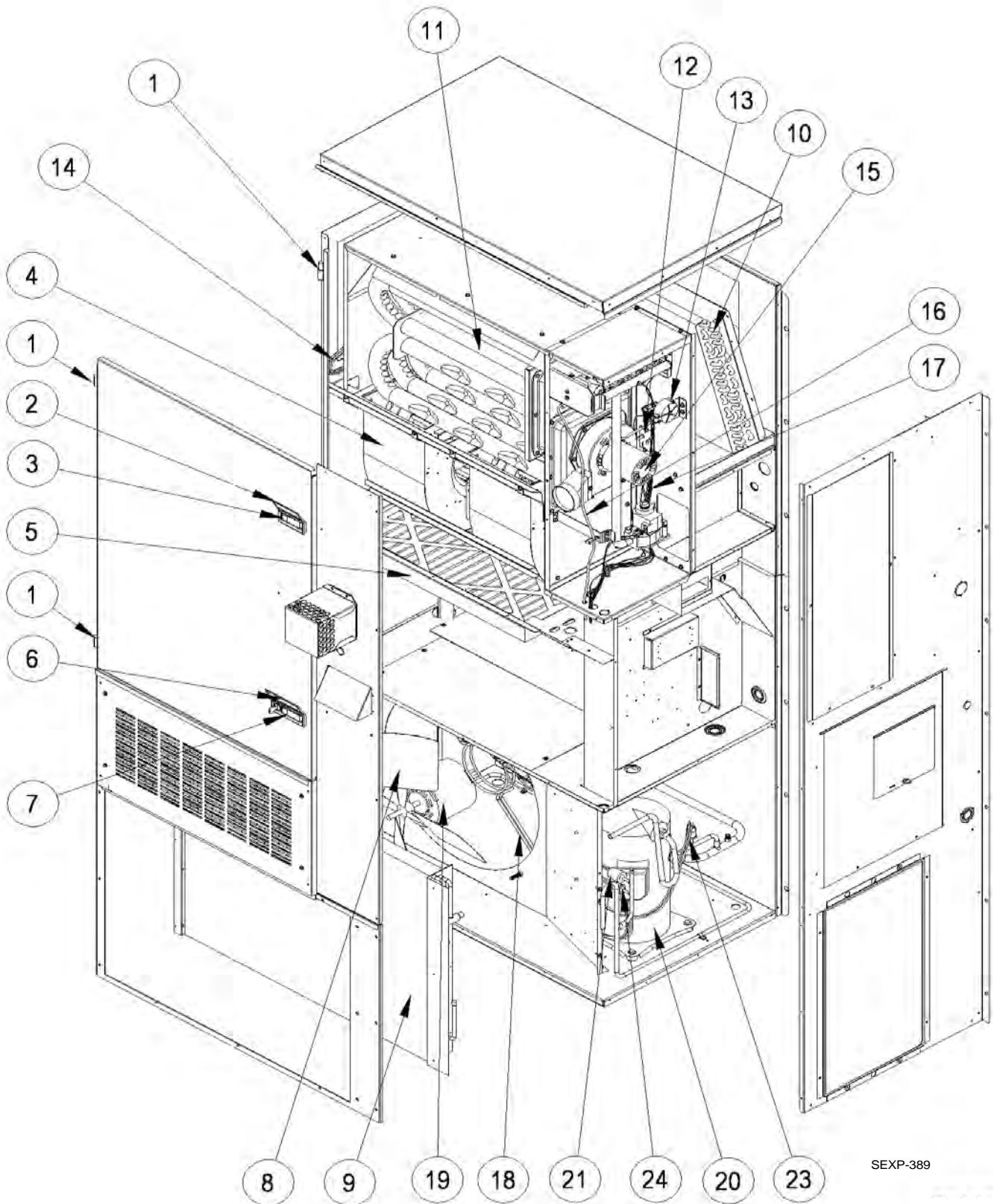
\* Exterior cabinet parts are manufactured with various paint color options. To insure that you receive the proper paint color, you must include the complete model and serial number of the unit for which cabinet parts are being ordered.

Refer to drawing on Page 1



**This page left blank intentionally**

# FUNCTIONAL COMPONENTS



SEXP-389

This drawing to be used for reference for Pages 10, 11 and 12.

# FUNCTIONAL COMPONENTS

Dwg No.	Part No.	Description	WG241-AXA	WG241-AXB	WG241-AXC	WG241-BXA	WG241-BXB	WG241-BXC	WG241-CXA	WG241-CXB	WG241-CXC
1	5400-005	Metal Lift-Off Hinge	2	2	2	2	2	2	2	2	2
2	1171-050	Weather Cover for Latch 1171-048	X	X	X	X	X	X	X	X	X
3	1171-048	Black Non-Lockable Latch	X	X	X	X	X	X	X	X	X
4	900-255	Complete Blower Assembly 230/208	X	X	X	X	X	X			
4	900-256	Complete Blower Assembly 460V							X	X	X
5	7004-040	20 x 25 x 2 Pleated Filter (standard)	X	X	X	X	X	X	X	X	X
5	7003-042	20 x 25 x 1 AF Filter (optional)	X	X	X	X	X	X	X	X	X
6	1171-051	Weather Cover for Latch 1171-049	X	X	X	X	X	X	X	X	X
7	1171-049	Black Lockable Latch	X	X	X	X	X	X	X	X	X
8	5151-050	Fan Blade	X	X	X	X	X	X	X	X	X
9	5051-068	Coil	X	X	X	X	X	X	X	X	X
10	5060-112	Coil	X	X	X	X	X	X	X	X	X
11	Heat Exch.	See Burner Components Diagram	X	X	X	X	X	X	X	X	X
12	8402-133	Limit Control L140-30 3"	X			X			X		
12	8402-135	Limit Control L150-30 3"		X	X		X	X		X	X
13	8406-103	.55" ± .05" Pressure Switch	X	X	X	X	X	X	X	X	X
14	800-0329	Distributor/Orifice	X	X	X	X	X	X	X	X	X
15	8109-012	Induced Draft Blower 230V	X	X	X	X	X	X			
15	8109-013	Induced Draft Blower 460V							X	X	X
16	8600-011	Suppression Ignition Cable	X	X	X	X	X	X	X	X	X
17	3000-1121	Wire Assembly	X	X	X	X	X	X			
17	3000-1124	Wire Assembly							X	X	X
18	8200-001	Fan Motor Mount	X	X	X	X	X	X	X	X	X
19	8103-013	Motor 230/208V	X	X	X	X	X	X			
19	8103-020	Motor 460V							X	X	X
20	8000-256	Compressor ZR24KC-PFV	X	X	X						
20	8000-201	Compressor ZR24K3-TF5				X	X	X			
20	8000-202	Compressor ZR24K3-TFD							X	X	X
21	1804-0106	High Pressure Switch (Flare)	X	X	X	X	X	X	X	X	X
23	1804-0107	Low Pressure Switch - Opt. - (Flare)	X	X	X	X	X	X	X	X	X
24	CMA-6	Low Ambient Control - Opt. - (Flare)	X	X	X	X	X	X	X	X	X
NS	S400-0203	Orifice Parts Bag 2 Tube 45K	X			X			X		
NS	S400-0204	Orifice Parts Bag 3 Tube 67.5K		X			X			X	
NS	S400-0205	Orifice Parts Bag 4 Tube 90K			X			X			X

Opt. = Optional

Refer to drawing on Page 9

# FUNCTIONAL COMPONENTS

Dwg No.	Part No.	Description	WG301-AXA	WG301-AXB	WG301-AXC	WG301-BXA	WG301-BXB	WG301-BXC	WG301-CXA	WG301-CXB	WG301-CXC
1	5400-005	Metal Lift-Off Hinge	2	2	2	2	2	2	2	2	2
2	1171-050	Weather Cover for Latch 1171-048	X	X	X	X	X	X	X	X	X
3	1171-048	Black Non-Lockable Latch	X	X	X	X	X	X	X	X	X
4	900-2255	Complete Blower Assembly 230/208	X	X	X	X	X	X			
4	900-256	Complete Blower Assembly 460V							X	X	X
5	7004-040	20 x 25 x 2 Pleated Filter (standard)	X	X	X	X	X	X	X	X	X
5	7003-042	20 x 25 x 1 AF Filter (optional)	X	X	X	X	X	X	X	X	X
6	1171-051	Weather Cover for Latch 1171-049	X	X	X	X	X	X	X	X	X
7	1171-049	Black Lockable Latch	X	X	X	X	X	X	X	X	X
8	5151-050	Fan Blade	X	X	X	X	X	X	X	X	X
9	5051-051	Coil	X	X	X	X	X	X	X	X	X
10	5060-111	Coil	X	X	X	X	X	X	X	X	X
11	Heat Exch.	See Burner Components Diagram	X	X	X	X	X	X	X	X	X
12	8402-133	Limit Control L140-30 3"	X			X			X		
12	8402-135	Limit Control L150-30 3"		X	X		X	X		X	X
13	8406-103	.55" ± .05" Pressure Switch	X	X	X	X	X	X	X	X	X
14	800-0330	Distributor/Orifice	X	X	X	X	X	X	X	X	X
15	8109-012	Induced Draft Blower 230V	X	X	X	X	X	X			
15	8109-013	Induced Draft Blower 460V							X	X	X
16	8600-011	Suppression Ignition Cable	X	X	X	X	X	X	X	X	X
17	3000-1121	Wire Assembly	X	X	X	X	X	X			
17	3000-1124	Wire Assembly							X	X	X
18	8200-001	Fan Motor Mount	X	X	X	X	X	X	X	X	X
19	8103-013	Motor 230/208V	X	X	X	X	X	X			
19	8103-020	Motor 460V							X	X	X
20	8000-255	Compressor ZR28KC-PFV	X	X	X						
20	8000-203	Compressor ZR28K3-TF5				X	X	X			
20	8000-204	Compressor ZR28K3-TFD							X	X	X
21	1804-0106	High Pressure Switch (Flare)	X	X	X	X	X	X	X	X	X
23	1804-0107	Low Pressure Switch - Opt. - (Flare)	X	X	X	X	X	X	X	X	X
24	CMA-6	Low Ambient Control - Opt. - (Flare)	X	X	X	X	X	X	X	X	X
NS	S400-0203	Orifice Parts Bag 2 Tube 45K	X			X			X		
NS	S400-0204	Orifice Parts Bag 3 Tube 67.5K		X			X			X	
NS	S400-0205	Orifice Parts Bag 4 Tube 90K			X			X			X

Opt. = Optional

Refer to drawing on Page 9

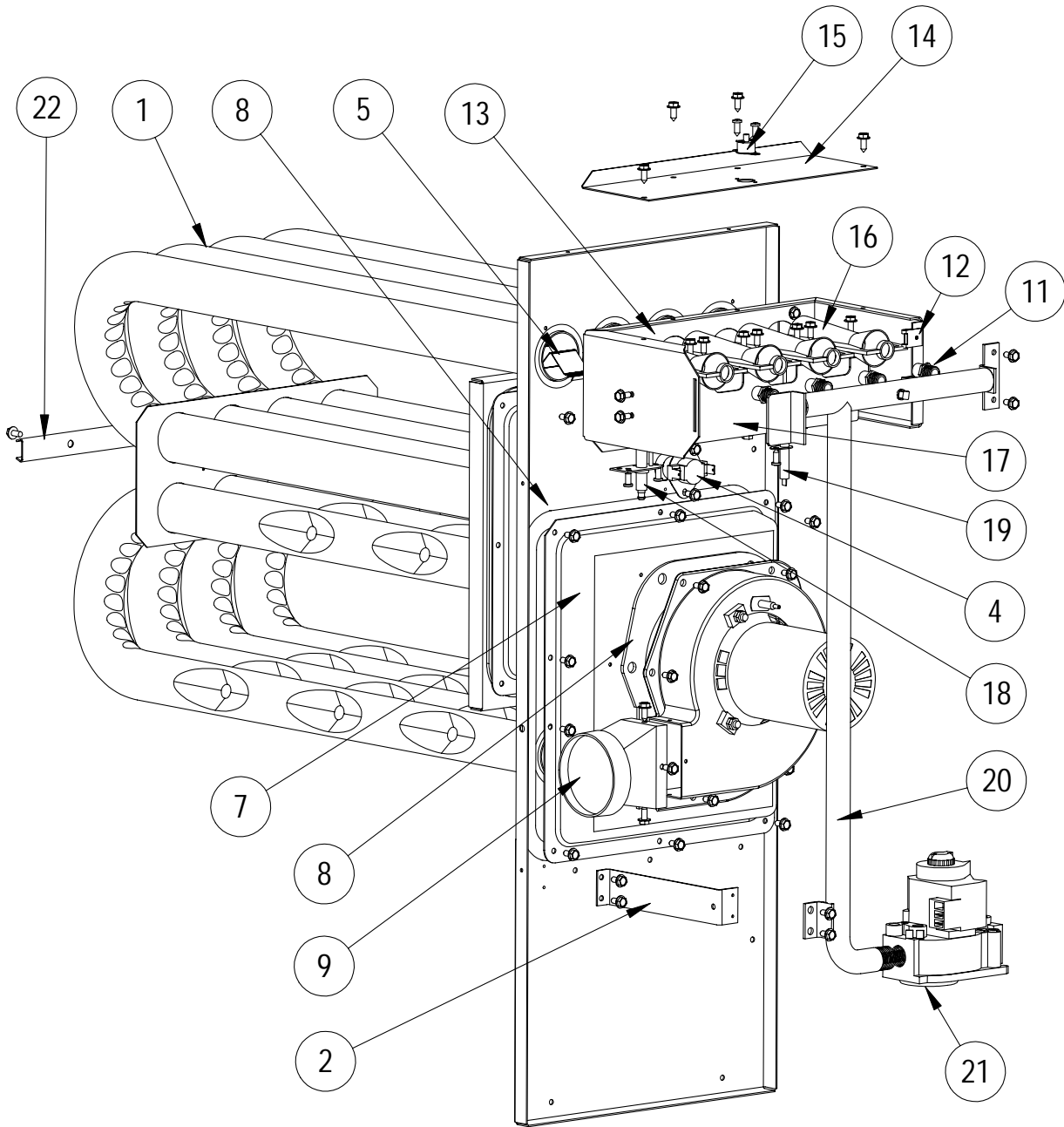
# FUNCTIONAL COMPONENTS

Dwg No.	Part No.	Description	WG361-AXA	WG361-AXB	WG361-AXC	WG361-BXA	WG361-BXB	WG361-BXC	WG361-CXA	WG361-CXB	WG361-CXC
1	5400-005	Metal Lift-Off Hinge	2	2	2	2	2	2	2	2	2
2	1171-050	Weather Cover for Latch 1171-048	X	X	X	X	X	X	X	X	X
3	1171-048	Black Non-Lockable Latch	X	X	X	X	X	X	X	X	X
4	900-255	Complete Blower Assembly 230/208	X	X	X	X	X	X			
4	900-256	Complete Blower Assembly 460V							X	X	X
5	7004-040	20 x 25 x 2 Pleated Filter (standard)	X	X	X	X	X	X	X	X	X
5	7003-042	20 x 25 x 1 AF Filter (optional)	X	X	X	X	X	X	X	X	X
6	1171-051	Weather Cover for Latch 1171-049	X	X	X	X	X	X	X	X	X
7	1171-049	Black Lockable Latch	X	X	X	X	X	X	X	X	X
8	5151-050	Fan Blade	X	X	X	X	X	X	X	X	X
9	5051-066	Coil	X	X	X	X	X	X	X	X	X
10	5060-111	Coil	X	X	X	X	X	X	X	X	X
11	Heat Exch.	See Burner Components Diagram	X	X	X	X	X	X	X	X	X
12	8402-133	Limit Control L140-30 3"	X			X			X		
12	8402-135	Limit Control L150-30 3"		X	X		X	X		X	X
13	8406-103	.55" ± .05" Pressure Switch	X	X	X	X	X	X	X	X	X
14	800-0331	Distributor/Orifice	X	X	X	X	X	X	X	X	X
15	8109-012	Induced Draft Blower 230V	X	X	X	X	X	X			
15	8109-013	Induced Draft Blower 460V							X	X	X
16	8600-011	Suppression Ignition Cable	X	X	X	X	X	X	X	X	X
17	3000-1121	Wire Assembly	X	X	X	X	X	X			
17	3000-1124	Wire Assembly							X	X	X
18	8200-001	Fan Motor Mount	X	X	X	X	X	X	X	X	X
19	8103-013	Motor 230/208V	X	X	X	X	X	X			
19	8103-020	Motor 460V							X	X	X
20	8000-225	Compressor ZR36KC-PFV	X	X	X						
20	8000-214	Compressor ZR36K3-TF5				X	X	X			
20	8000-217	Compressor ZR36K3-TFD							X	X	X
21	1804-0106	High Pressure Switch Flare	X	X	X	X	X	X	X	X	X
23	1804-0107	Low Pressure Switch - Opt. - (Flare)	X	X	X	X	X	X	X	X	X
24	CMA-6	Low Ambient Control - Opt. - (Flare)	X	X	X	X	X	X	X	X	X
NS	S400-0203	Orifice Parts Bag 2 Tube 45K	X			X			X		
NS	S400-0204	Orifice Parts Bag 3 Tube 67.5K		X			X			X	
NS	S400-0205	Orifice Parts Bag 4 Tube 90K			X			X			X

Opt. = Optional

Refer to drawing on Page 9

# BURNER COMPONENTS



SEXP-387

This drawing to be used for reference for Pages 14, 15 and 16.

# BURNER COMPONENTS

Dwg No.	Part No.	Description	WG241-*XA	WG241-*NA	WG241-*XB	WG241-*NB	WG241-*XC	WG241-*NC
1	S171-254	Heat Exchanger Assembly (2 Burner)	X	X				
1	S171-256	Heat Exchanger Assembly (3 Burner)			X	X		
1	S171-258	Heat Exchanger Assembly (4 Burner)					X	X
2	113-268	Manifold Bracket	X	X	X	X	X	X
4	8402-134	Limit Control L265-30	X	X				
4	8402-116	Limit Control L300-30			X	X	X	X
5	9010-083	NOx Screen		2		3		4
7	168-142	Collector Box	X	X				
7	168-143	Collector Box			X	X		
7	168-144	Collector Box					X	X
8	1921-043	Gasket Set	X	X	X	X	X	X
9	5809-013	3" Cast Inducer Transition	X	X	X	X	X	X
11	9010-082	Orifice 2.30mm (.0885 dia.)	2	2	3	3	4	4
11	9010-087	Orifice 2.20mm (10% derate)	2	2	3	3	4	4
12	1012-314	U Clip Fastener	2	2	2	2	2	2
13	163-047	Burner Box	X	X				
13	163-042	Burner Box			X	X		
13	163-044	Burner Box					X	X
14	141-268	Flame Rollout Support	X	X	X	X		
14	141-269	Flame Rollout Support					X	X
15	8402-124	Flame Rollout Switch L270	X	X	X	X	X	X
16	9010-078	In-Shot Burner 2.5 x 4.5	2	2	3	3	4	4
17	163-048	Burner Support	X	X				
17	163-041	Burner Support			X	X		
17	163-043	Burner Support					X	X
18	8554-024	DSI Spark Igniter	X	X	X	X	X	X
19	8554-025	Flame Sensor	X	X	X	X	X	X
20	5818-053	2-Hole Gas Manifold - 1/2"	X	X				
20	5818-054	3-Hole Gas Manifold - 1/2"			X	X		
20	5818-055	4-Hole Gas Manifold - 1/2"					X	X
21	5651-160	Natural Gas Valve 1/2 x 1/2	X	X	X	X	X	X
22	168-140	Tube Brace 2 Burner	X	X				
22	168-135	Tube Brace 3 Burner			X	X		
22	168-134	Tube Brace 4 Burner					X	X

Refer to drawing on Page 13

# BURNER COMPONENTS

Dwg No.	Part No.	Description	WG301-*XA	WG301-*NA	WG301-*XB	WG301-*NB	WG301-*XC	WG301-*NC
1	S171-254	Heat Exchanger Assembly (2 Burner)	X	X				
1	S171-256	Heat Exchanger Assembly (3 Burner)			X	X		
1	S171-258	Heat Exchanger Assembly (4 Burner)					X	X
2	113-268	Manifold Bracket	X	X	X	X	X	X
4	8402-134	Limit Control L265-30	X	X				
4	8402-116	Limit Control L300-30			X	X	X	X
5	9010-083	NOx Screen		2		3		4
7	168-142	Collector Box	X	X				
7	168-143	Collector Box			X	X		
7	168-144	Collector Box					X	X
8	1921-043	Gasket Set	X	X	X	X	X	X
9	5809-013	3" Cast Inducer Transition	X	X	X	X	X	X
11	9010-082	Orifice 2.30mm (.0885 dia.)	2	2	3	3	4	4
11	9010-087	Orifice 2.20mm (10% derate)	2	2	3	3	4	4
12	1012-314	U Clip Fastener	2	2	2	2	2	2
13	163-047	Burner Box	X	X				
13	163-042	Burner Box			X	X		
13	163-044	Burner Box					X	X
14	141-268	Flame Rollout Support	X	X	X	X		
14	141-269	Flame Rollout Support					X	X
15	8402-124	Flame Rollout Switch L270	X	X	X	X	X	X
16	9010-078	In-Shot Burner 2.5 x 4.5	2	2	3	3	4	4
17	163-048	Burner Support	X	X				
17	163-041	Burner Support			X	X		
17	163-043	Burner Support					X	X
18	8554-024	DSI Spark Igniter	X	X	X	X	X	X
19	8554-025	Flame Sensor	X	X	X	X	X	X
20	5818-053	2-Hole Gas Manifold - 1/2"	X	X				
20	5818-054	3-Hole Gas Manifold - 1/2"			X	X		
20	5818-055	4-Hole Gas Manifold - 1/2"					X	X
21	5651-160	Natural Gas Valve 1/2 x 1/2	X	X	X	X	X	X
22	168-140	Tube Brace 2 Burner	X	X				
22	168-135	Tube Brace 3 Burner			X	X		
22	168-134	Tube Brace 4 Burner					X	X

Refer to drawing on Page 13

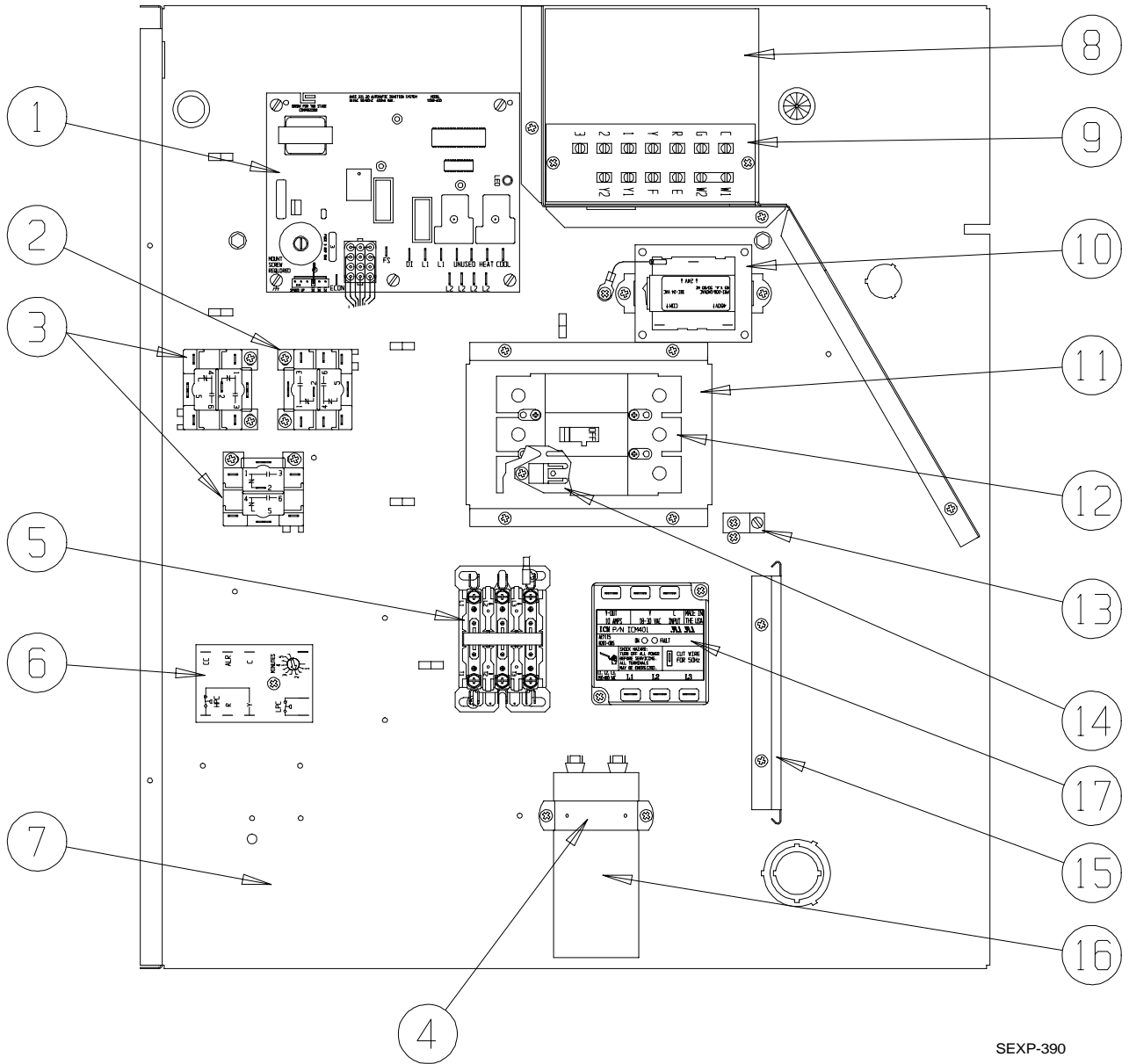


# BURNER COMPONENTS

Dwg No.	Part No.	Description	WG361-*XA	WG361-*NA	WG361-*XB	WG361-*NB	WG361-*XC	WG361-*NC
1	S171-254	Heat Exchanger Assembly (2 Burner)	X	X				
1	S171-256	Heat Exchanger Assembly (3 Burner)			X	X		
1	S171-258	Heat Exchanger Assembly (4 Burner)					X	X
2	113-268	Manifold Bracket	X	X	X	X	X	X
4	8402-134	Limit Control L265-30	X	X				
4	8402-116	Limit Control L300-30			X	X	X	X
5	9010-083	NOx Screen		2		3		4
7	168-142	Collector Box	X	X				
7	168-143	Collector Box			X	X		
7	168-144	Collector Box					X	X
8	1921-043	Gasket Set	X	X	X	X	X	X
9	5809-013	3" Cast Inducer Transition	X	X	X	X	X	X
11	9010-082	Orifice 2.30mm (.0885 dia.)	2	2	3	3	4	4
11	9010-087	Orifice 2.20mm (10% derate)	2	2	3	3	4	4
12	1012-314	U Clip Fastener	2	2	2	2	2	2
13	163-047	Burner Box	X	X				
13	163-042	Burner Box			X	X		
13	163-044	Burner Box					X	X
14	141-268	Flame Rollout Support	X	X	X	X		
14	141-269	Flame Rollout Support					X	X
15	8402-124	Flame Rollout Switch L270	X	X	X	X	X	X
16	9010-078	In-Shot Burner 2.5 x 4.5	2	2	3	3	4	4
17	163-048	Burner Support	X	X				
17	163-041	Burner Support			X	X		
17	163-043	Burner Support					X	X
18	8554-024	DSI Spark Igniter	X	X	X	X	X	X
19	8554-025	Flame Sensor	X	X	X	X	X	X
20	5818-053	2-Hole Gas Manifold - 1/2"	X	X				
20	5818-054	3-Hole Gas Manifold - 1/2"			X	X		
20	5818-055	4-Hole Gas Manifold - 1/2"					X	X
21	5651-160	Natural Gas Valve 1/2 x 1/2	X	X	X	X	X	X
22	168-140	Tube Brace 2 Burner	X	X				
22	168-135	Tube Brace 3 Burner			X	X		
22	168-134	Tube Brace 4 Burner					X	X

Refer to drawing on Page 13

# CONTROL PANEL



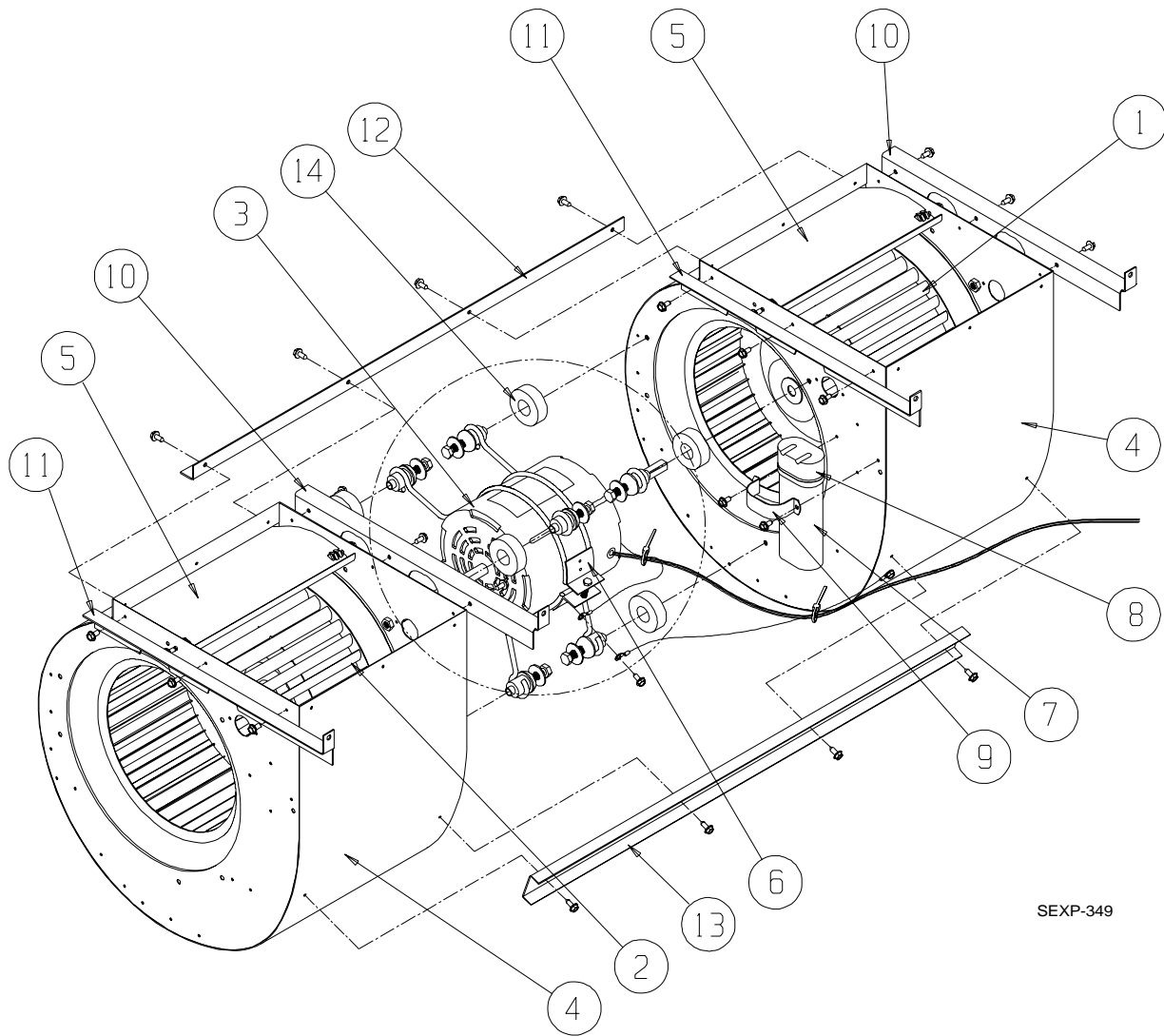
SEXP-390

# CONTROL PANEL

Drawing No.	Part No.	Description	WG241-A	WG241-B	WG241-C	WG301-A	WG301-B WG361-B	WG361-A	WG301-C WG361-C
1	5651-159	Integrated Furnace Control	X	X	X	X	X	X	X
2	8201-090	460 Volt Relay DPDT			X				X
3	8201-032	460 Volt Relay SPDT			2				2
4	8550-008	Capacitor Bracket	X			X		X	
4	8550-003	Capacitor Bracket		X	X		X		X
5	8401-007	Compressor Contactor, 1-Pole, 25A	X			X		X	
5	8401-002	Compressor Contactor, 3-Pole, 25A		X	X		X		X
6	8201-088	Compressor Control Module	X	X	X	X	X	X	X
7	517-233	Control Panel	X	X	X	X	X	X	X
8	117-248	Low Voltage Box	X	X	X	X	X	X	X
9	8607-024	Terminal Strip	X	X	X	X	X	X	X
10	8407-035	Transformer 55 VA 208/240 - 24V	X	X		X	X	X	
10	8407-050	Transformer 65 VA 480 - 24V			X				X
11	113-269	Circuit Breaker Mounting Base	X	X	X	X	X	X	X
12	8615-037	Circuit Breaker, 30A, 2-Pole, 240V	X						
12	8615-054	Circuit Breaker, 20A, 3-Pole, 240V		X					
12	8615-062	Circuit Breaker, 15A, 3-Pole, 480V			X				X
12	8615-038	Circuit Breaker, 35A, 2-Pole, 240V				X			
12	8615-055	Circuit Breaker, 40A, 2-Pole, 240V						X	
12	8315-051	Circuit Breaker, 25A, 3-Pole, 240V					X		
13	8611-006	Ground Terminal	X	X	X	X	X	X	X
14	8615-057	Circuit Breaker Mounting Feet	2	2		2	2	2	
14	8605-008	Circuit Breaker Mounting Feet			X				X
15	135-130	Wire Shield	X	X	X	X	X	X	X
16	8552-005	Capacitor 5 MFD 370V		X	X		X		X
16	8552-048	Capacitor 35+5 MFD 370V	X			X			
16	8552-051	Capacitor 40+5 MFD 440V						X	
17	8201-085	3 Phase Line Monitor		X	X		X		X
NS	4085-130	Wiring Diagram	X			X		X	
NS	4085-230	Wiring Diagram		X			X		
NS	4085-327	Wiring Diagram			X				X

NS – Not Shown

# BLOWER ASSEMBLY



SEXP-349

Dwg. No.	Part No.	Description	900-255	900-256
1	5152-096	Blower Wheel 10-6	X	X
2	5152-072	Blower Wheel 10-6	X	X
3	8105-047	Motor 230/208 V	X	
3	8105-048	Motor 460 V		X
4	151-117	Blower Housing	2	2
5	144-167	Diffuser	2	2
6	8200-040	Motor Mount	X	X
7	8552-004	Capacitor 7.5 MFD 370V	X	X
8	8611-002	Capacitor Boot	X	X
9	8550-003	Capacitor Bracket	X	X
10	105X1075	Angle - Right	2	2
11	105Y1075	Angle - Left	2	2
12	105-1169	Angle - Back	X	X
13	165-572	Channel - Front	X	X
14	5451-011	Grommets	3	3