

---

# REPLACEMENT PARTS MANUAL

# WALL MOUNTED GAS/ELECTRIC

## MODELS:

W42G1-A	W42G1-B	W42G1-C
W48G1-A	W48G1-B	W48G1-C
W60G1-A	W60G1-B	W60G1-C

---

## General Notes

- Revised and/or additional pages may be issued from time to time.
- A complete and current manual consists of pages shown in the following contents section.

## Important

- Contact the installing and/or local Bard distributor for all parts requirements. Make sure you have the complete model and serial number available from the unit rating plates.

## Contents

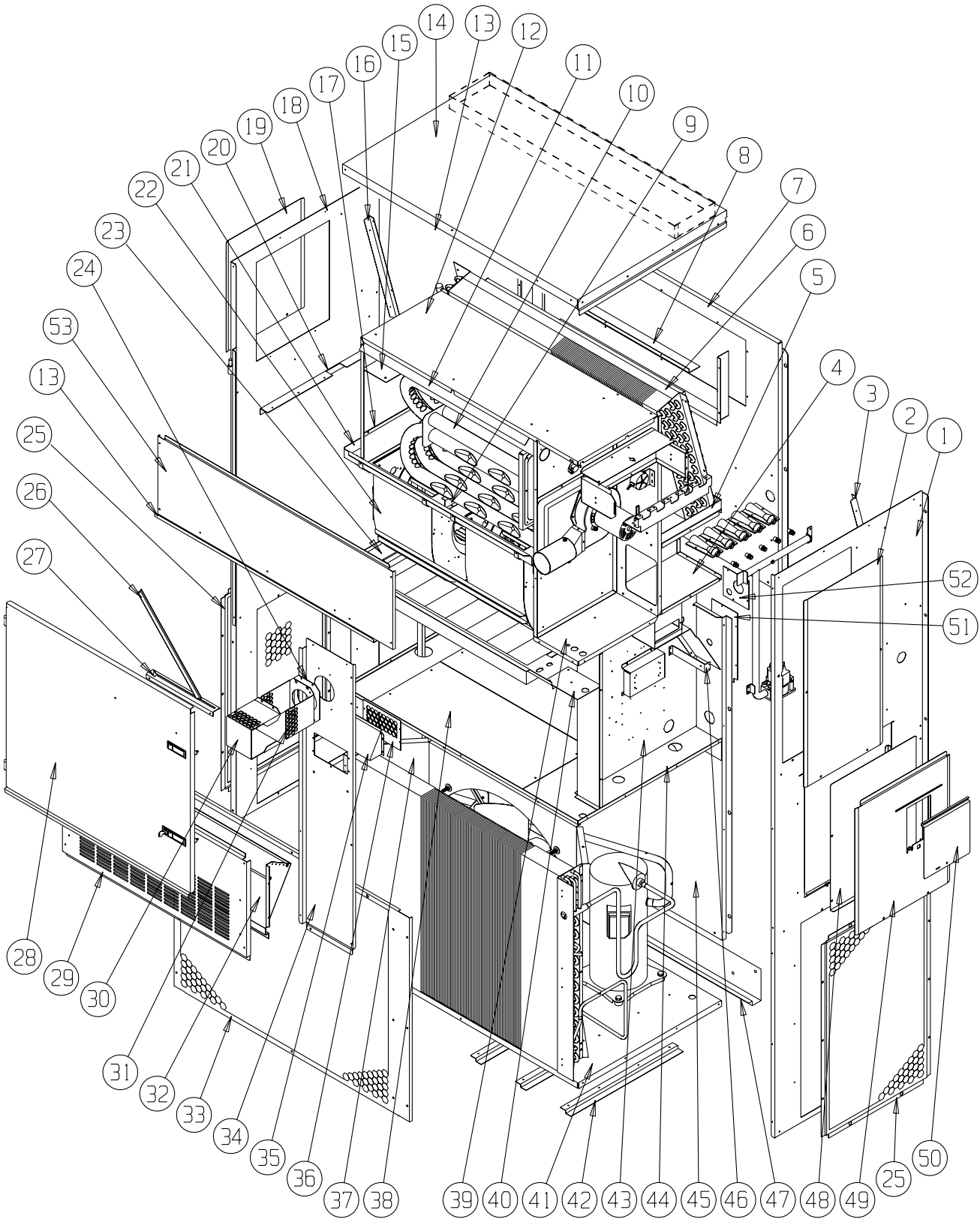
<i>Description</i>	<i>Page</i>
Cabinet Components	
♦ Exploded View .....	2
♦ Usage List .....	3
♦ Usage List .....	4
♦ Usage List .....	5
♦ Usage List .....	6
♦ Usage List .....	7
♦ Usage List .....	8
♦ Blank Page .....	9
Functional Components	
♦ Exploded View .....	10
♦ Usage List .....	11
♦ Usage List .....	12
♦ Usage List .....	13
Burner Components	
♦ Exploded View .....	14
♦ Usage List .....	15
♦ Usage List .....	16
♦ Usage List .....	17
Control Panel	
♦ Layout .....	18
♦ Usage List .....	19
Blower Assembly	
♦ Exploded View .....	20
♦ Usage List .....	20



Bard Manufacturing Company, Inc.  
Bryan, Ohio 43506  
*Since 1914...Moving ahead, just as planned.*

Manual: 2110-809A  
Supersedes: 2110-809  
File: Vol. III Tab 20  
Date: 01-05-11

# CABINET COMPONENTS



SEXP-459

**This drawing to be used for reference for Pages 3, 4, 5, 6, 7 and 8.**

# CABINET COMPONENTS

Drawing No.	Part No.	Description	W42G1-AXB	W42G1-AXC	W42G1-AXD	W42G1-BXB	W42G1-BXC	W42G1-BXD	W42G1-CXB	W42G1-CXC	W42G1-CXD
1	501-570-*	Right Side Assembly	X	X	X	X	X	X	X	X	X
2	S153-326-*	Vestibule Service Door	X	X	X	X	X	X	X	X	X
3	105X1073	Right Evaporator Support Angle	X	X	X	X	X	X	X	X	X
4	541-266	Right Drain Pan Support Assembly	X	X	X	X	X	X	X	X	X
5	S523-103	Drain Pan Assembly	X	X	X	X	X	X	X	X	X
6	105-1080	Evaporator Coil Fill Angle	X	X	X	X	X	X	X	X	X
7	509-156	Upper Back	X	X	X	X	X	X	X	X	X
8	111-063	Supply Air Frame	2	2	2	2	2	2	2	2	2
9	103-439	Heat Exchanger Support Offset	X	X	X	X	X	X	X	X	X
10	Heat Exch Assy	See Burner Components Diagram									
11	105-1076	Top Heat Exchanger Deflector	X	X	X	X	X	X	X	X	X
12	135-216	Inner Air Baffle	X	X	X	X	X	X	X	X	X
13	165-563-*	Top Rain Channel	X	X	X	X	X	X	X	X	X
14	507-246-*	Top Assembly	X	X	X	X	X	X	X	X	X
15	135-184	Right Heat Exchanger Deflector	X	X	X	X	X	X	X	X	X
16	105Y1073	Left Evaporator Support Angle	X	X	X	X	X	X	X	X	X
17	105-1066	Lower Heat Exchanger Deflector	X	X	X	X	X	X	X	X	X
18	501-571-*	Left Side Assembly	X	X	X	X	X	X	X	X	X
19	543-070-*	Left Access Cover	X	X	X	X	X	X	X	X	X
20	105-1070	Left Support Angle	X	X	X	X	X	X	X	X	X
21	S121-337	Blower Partition	X	X	X	X	X	X	X	X	X
22	S900-249	Complete Blower Assembly - 230V	X	X	X	X	X				
22	S900-277	Complete Blower Assembly - 460V						X	X	X	
23	131-163	Filter Tray	X	X	X	X	X	X	X	X	X
24	1921-051	Vent Terminal Gasket	X	X	X	X	X	X	X	X	X
25	118-084-*	Side Grille	2	2	2	2	2	2	2	2	2
26	105-1068	Door Stop Angle	X	X	X	X	X	X	X	X	X
<b>Continued on Page 4</b>											

\* Exterior cabinet parts are manufactured with various paint color options. To insure that you receive the proper paint color, you must include the complete model and serial number of the unit for which cabinet parts are being ordered.

**Refer to drawing on Page 2**

# CABINET COMPONENTS

Drawing No.	Part No.	Description	W42G1-AXB	W42G1-AXC	W42G1-AXD	W42G1-BXB	W42G1-BXC	W42G1-BXD	W42G1-CXB	W42G1-CXC	W42G1-CXD
<b>Continued from Page 3</b>											
27	105-1069	Door Stop Slide	X	X	X	X	X	X	X	X	X
28	S553-389-*	Front Door Assembly	X	X	X	X	X	X	X	X	X
29	553-327-*	Vent Option Door Assembly	X	X	X	X	X	X	X	X	X
30	169-119	Outer Vent Hood	X	X	X	X	X	X	X	X	X
31	169-120	Inner Vent Hood	X	X	X	X	X	X	X	X	X
32	WGBFAD-5	Barometric Fresh Air Damper	X	X	X	X	X	X	X	X	X
33	118-048-*	Condenser Grille	X	X	X	X	X	X	X	X	X
34	549-098-*	Right Front Corner Assembly	X	X	X	X	X	X	X	X	X
35	S135-181-*	Air Intake Hood	X	X	X	X	X	X	X	X	X
36	S134-182-*	Air Intake Back	X	X	X	X	X	X	X	X	X
37	125-024	Fan Shroud	X	X	X	X	X	X	X	X	X
38	542-072	Condenser Partition Blank Off Plate	X	X	X	X	X	X	X	X	X
39	541-267	Heat Exchanger Support Assembly	X	X	X	X	X	X	X	X	X
40	142-071	Filter Blank Off Plate	X	X	X	X	X	X	X	X	X
41	127-302	Lower Base	X	X	X	X	X	X	X	X	X
42	103-438	Lower Base Offset	3	3	3	3	3	3	3	3	3
43	517-276	Control Panel Assembly	X	X	X	X	X	X	X	X	X
44	521-420	Condenser Partition Assembly	X	X	X	X	X	X	X	X	X
45	509-157	Lower Back Assembly	X	X	X	X	X	X	X	X	X
46	113-268	Manifold Bracket	X	X	X	X	X	X	X	X	X
47	113-140	Bottom Support Bracket	X	X	X	X	X	X	X	X	X
48	S133-163	Circuit Breaker Inner Door	X	X	X	X	X	X	X	X	X
49	S533-162-*	Control Panel Cover Assembly	X	X	X	X	X	X	X	X	X
50	S153-328-*	Disconnect Access Door	X	X	X	X	X	X	X	X	X
51	134-193	Conduit Access Panel	X	X	X	X	X	X	X	X	X
52	156-029	Conduit Entrance Plate	X	X	X	X	X	X	X	X	X
53	553-388-*	Upper Door Assembly	X	X	X	X	X	X	X	X	X

\* Exterior cabinet parts are manufactured with various paint color options. To insure that you receive the proper paint color, you must include the complete model and serial number of the unit for which cabinet parts are being ordered.

**Refer to drawing on Page 2**

# CABINET COMPONENTS

Drawing No.	Part No.	Description	W48G1-AXB	W48G1-AXC	W48G1-AXD	W48G1-BXB	W48G1-BXC	W48G1-BXD	W48G1-CXB	W48G1-CXC	W48G1-CXD
1	501-570-*	Right Side Assembly	X	X	X	X	X	X	X	X	X
2	S153-326-*	Vestibule Service Door	X	X	X	X	X	X	X	X	X
3	105X1073	Right Evaporator Support Angle	X	X	X	X	X	X	X	X	X
4	541-266	Right Drain Pan Support Assembly	X	X	X	X	X	X	X	X	X
5	S523-103	Drain Pan Assembly	X	X	X	X	X	X	X	X	X
6	105-1080	Evaporator Coil Fill Angle	X	X	X	X	X	X	X	X	X
7	509-156	Upper Back	X	X	X	X	X	X	X	X	X
8	111-063	Supply Air Frame	2	2	2	2	2	2	2	2	2
9	103-439	Heat Exchanger Support Offset	X	X	X	X	X	X	X	X	X
10	Heat Exch Assy	See Burner Components Diagram									
11	105-1076	Top Heat Exchanger Deflector	X	X	X	X	X	X	X	X	X
12	135-216	Inner Air Baffle	X	X	X	X	X	X	X	X	X
13	165-563-*	Top Rain Channel	X	X	X	X	X	X	X	X	X
14	507-246-*	Top Assembly	X	X	X	X	X	X	X	X	X
15	135-184	Right Heat Exchanger Deflector	X	X	X	X	X	X	X	X	X
16	105Y1073	Left Evaporator Support Angle	X	X	X	X	X	X	X	X	X
17	105-1066	Lower Heat Exchanger Deflector	X	X	X	X	X	X	X	X	X
18	501-571-*	Left Side Assembly	X	X	X	X	X	X	X	X	X
19	543-070-*	Left Access Cover	X	X	X	X	X	X	X	X	X
20	105-1070	Left Support Angle	X	X	X	X	X	X	X	X	X
21	S121-337	Blower Partition	X	X	X	X	X	X	X	X	X
22	S900-249	Complete Blower Assembly - 230V	X	X	X	X	X				
22	S900-277	Complete Blower Assembly - 460V						X	X	X	
23	131-163	Filter Tray	X	X	X	X	X	X	X	X	X
24	1921-051	Vent Terminal Gasket	X	X	X	X	X	X	X	X	X
25	118-084-*	Side Grille	2	2	2	2	2	2	2	2	2
26	105-1068	Door Stop Angle	X	X	X	X	X	X	X	X	X
<b>Continued on Page 6</b>											

\* Exterior cabinet parts are manufactured with various paint color options. To insure that you receive the proper paint color, you must include the complete model and serial number of the unit for which cabinet parts are being ordered.

**Refer to drawing on Page 2**

# CABINET COMPONENTS

Drawing No.	Part No.	Description	W48G1-AXB	W48G1-AXC	W48G1-AXD	W48G1-BXB	W48G1-BXC	W48G1-BXD	W48G1-CXB	W48G1-CXC	W48G1-CXD
<b>Continued from Page 5</b>											
27	105-1069	Door Stop Slide	X	X	X	X	X	X	X	X	X
28	S553-389-*	Front Door Assembly	X	X	X	X	X	X	X	X	X
29	553-327-*	Vent Option Door Assembly	X	X	X	X	X	X	X	X	X
30	169-119	Outer Vent Hood	X	X	X	X	X	X	X	X	X
31	169-120	Inner Vent Hood	X	X	X	X	X	X	X	X	X
32	WGBFAD-5	Barometric Fresh Air Damper	X	X	X	X	X	X	X	X	X
33	118-048-*	Condenser Grille	X	X	X	X	X	X	X	X	X
34	549-098-*	Right Front Corner Assembly	X	X	X	X	X	X	X	X	X
35	S135-181-*	Air Intake Hood	X	X	X	X	X	X	X	X	X
36	S134-182-*	Air Intake Back	X	X	X	X	X	X	X	X	X
37	125-024	Fan Shroud	X	X	X	X	X	X	X	X	X
38	542-072	Condenser Partition Blank Off Plate	X	X	X	X	X	X	X	X	X
39	541-267	Heat Exchanger Support Assembly	X	X	X	X	X	X	X	X	X
40	142-071	Filter Blank Off Plate	X	X	X	X	X	X	X	X	X
41	127-302	Lower Base	X	X	X	X	X	X	X	X	X
42	103-438	Lower Base Offset	3	3	3	3	3	3	3	3	3
43	517-276	Control Panel Assembly	X	X	X	X	X	X	X	X	X
44	521-420	Condenser Partition Assembly	X	X	X	X	X	X	X	X	X
45	509-157	Lower Back Assembly	X	X	X	X	X	X	X	X	X
46	113-268	Manifold Bracket	X	X	X	X	X	X	X	X	X
47	113-140	Bottom Support Bracket	X	X	X	X	X	X	X	X	X
48	S133-163	Circuit Breaker Inner Door	X	X	X	X	X	X	X	X	X
49	S533-162-*	Control Panel Cover Assembly	X	X	X	X	X	X	X	X	X
50	S153-328-*	Disconnect Access Door	X	X	X	X	X	X	X	X	X
51	134-193	Conduit Access Panel	X	X	X	X	X	X	X	X	X
52	156-029	Conduit Entrance Plate	X	X	X	X	X	X	X	X	X
53	553-388-*	Upper Door Assembly	X	X	X	X	X	X	X	X	X

\* Exterior cabinet parts are manufactured with various paint color options. To insure that you receive the proper paint color, you must include the complete model and serial number of the unit for which cabinet parts are being ordered.

**Refer to drawing on Page 2**

# CABINET COMPONENTS

Drawing No.	Part No.	Description	W60G1-AXB	W60G1-AXC	W60G1-AXD	W60G1-BXB	W60G1-BXC	W60G1-BXD	W60G1-CXB	W60G1-CXC	W60G1-CXD
1	501-570-*	Right Side Assembly	X	X	X	X	X	X	X	X	X
2	S153-326-*	Vestibule Service Door	X	X	X	X	X	X	X	X	X
3	105X1073	Right Evaporator Support Angle	X	X	X	X	X	X	X	X	X
4	541-266	Right Drain Pan Support Assembly	X	X	X	X	X	X	X	X	X
5	S523-103	Drain Pan Assembly	X	X	X	X	X	X	X	X	X
6	105-1080	Evaporator Coil Fill Angle	X	X	X	X	X	X	X	X	X
7	509-156	Upper Back	X	X	X	X	X	X	X	X	X
8	111-063	Supply Air Frame	2	2	2	2	2	2	2	2	2
9	103-439	Heat Exchanger Support Offset	X	X	X	X	X	X	X	X	X
10	Heat Exch Assy	See Burner Components Diagram									
11	105-1076	Top Heat Exchanger Deflector	X	X	X	X	X	X	X	X	X
12	135-216	Inner Air Baffle	X	X	X	X	X	X	X	X	X
13	165-563-*	Top Rain Channel	X	X	X	X	X	X	X	X	X
14	507-246-*	Top Assembly	X	X	X	X	X	X	X	X	X
15	135-184	Right Heat Exchanger Deflector	X	X	X	X	X	X	X	X	X
16	105Y1073	Left Evaporator Support Angle	X	X	X	X	X	X	X	X	X
17	105-1066	Lower Heat Exchanger Deflector	X	X	X	X	X	X	X	X	X
18	501-571-*	Left Side Assembly	X	X	X	X	X	X	X	X	X
19	543-070-*	Left Access Cover	X	X	X	X	X	X	X	X	X
20	105-1070	Left Support Angle	X	X	X	X	X	X	X	X	X
21	S121-337	Blower Partition	X	X	X	X	X	X	X	X	X
22	S900-249	Complete Blower Assembly - 230V	X	X	X	X	X				
22	S900-277	Complete Blower Assembly - 460V						X	X	X	
23	131-163	Filter Tray	X	X	X	X	X	X	X	X	X
24	1921-051	Vent Terminal Gasket	X	X	X	X	X	X	X	X	X
25	118-084-*	Side Grille	2	2	2	2	2	2	2	2	2
26	105-1068	Door Stop Angle	X	X	X	X	X	X	X	X	X
<b>Continued on Page 8</b>											

\* Exterior cabinet parts are manufactured with various paint color options. To insure that you receive the proper paint color, you must include the complete model and serial number of the unit for which cabinet parts are being ordered.

**Refer to drawing on Page 2**

# CABINET COMPONENTS

Drawing No.	Part No.	Description	W60G1-AXB	W60G1-AXC	W60G1-AXD	W60G1-BXB	W60G1-BXC	W60G1-BXD	W60G1-CXB	W60G1-CXC	W60G1-CXD
Continued from Page 7											
27	105-1069	Door Stop Slide	X	X	X	X	X	X	X	X	X
28	S553-389-*	Front Door Assembly	X	X	X	X	X	X	X	X	X
29	553-327-*	Vent Option Door Assembly	X	X	X	X	X	X	X	X	X
30	169-119	Outer Vent Hood	X	X	X	X	X	X	X	X	X
31	169-120	Inner Vent Hood	X	X	X	X	X	X	X	X	X
32	WGBFAD-5	Barometric Fresh Air Damper	X	X	X	X	X	X	X	X	X
33	118-048-*	Condenser Grille	X	X	X	X	X	X	X	X	X
34	549-098-*	Right Front Corner Assembly	X	X	X	X	X	X	X	X	X
35	S135-181-*	Air Intake Hood	X	X	X	X	X	X	X	X	X
36	S134-182-*	Air Intake Back	X	X	X	X	X	X	X	X	X
37	125-024	Fan Shroud	X	X	X	X	X	X	X	X	X
38	542-072	Condenser Partition Blank Off Plate	X	X	X	X	X	X	X	X	X
39	541-267	Heat Exchanger Support Assembly	X	X	X	X	X	X	X	X	X
40	142-071	Filter Blank Off Plate	X	X	X	X	X	X	X	X	X
41	127-302	Lower Base	X	X	X	X	X	X	X	X	X
42	103-438	Lower Base Offset	3	3	3	3	3	3	3	3	3
43	517-276	Control Panel Assembly	X	X	X	X	X	X	X	X	X
44	521-420	Condenser Partition Assembly	X	X	X	X	X	X	X	X	X
45	509-157	Lower Back Assembly	X	X	X	X	X	X	X	X	X
46	113-268	Manifold Bracket	X	X	X	X	X	X	X	X	X
47	113-140	Bottom Support Bracket	X	X	X	X	X	X	X	X	X
48	S133-163	Circuit Breaker Inner Door	X	X	X	X	X	X	X	X	X
49	S533-162-*	Control Panel Cover Assembly	X	X	X	X	X	X	X	X	X
50	S153-328-*	Disconnect Access Door	X	X	X	X	X	X	X	X	X
51	134-193	Conduit Access Panel	X	X	X	X	X	X	X	X	X
52	156-029	Conduit Entrance Plate	X	X	X	X	X	X	X	X	X
53	553-388-*	Upper Door Assembly	X	X	X	X	X	X	X	X	X

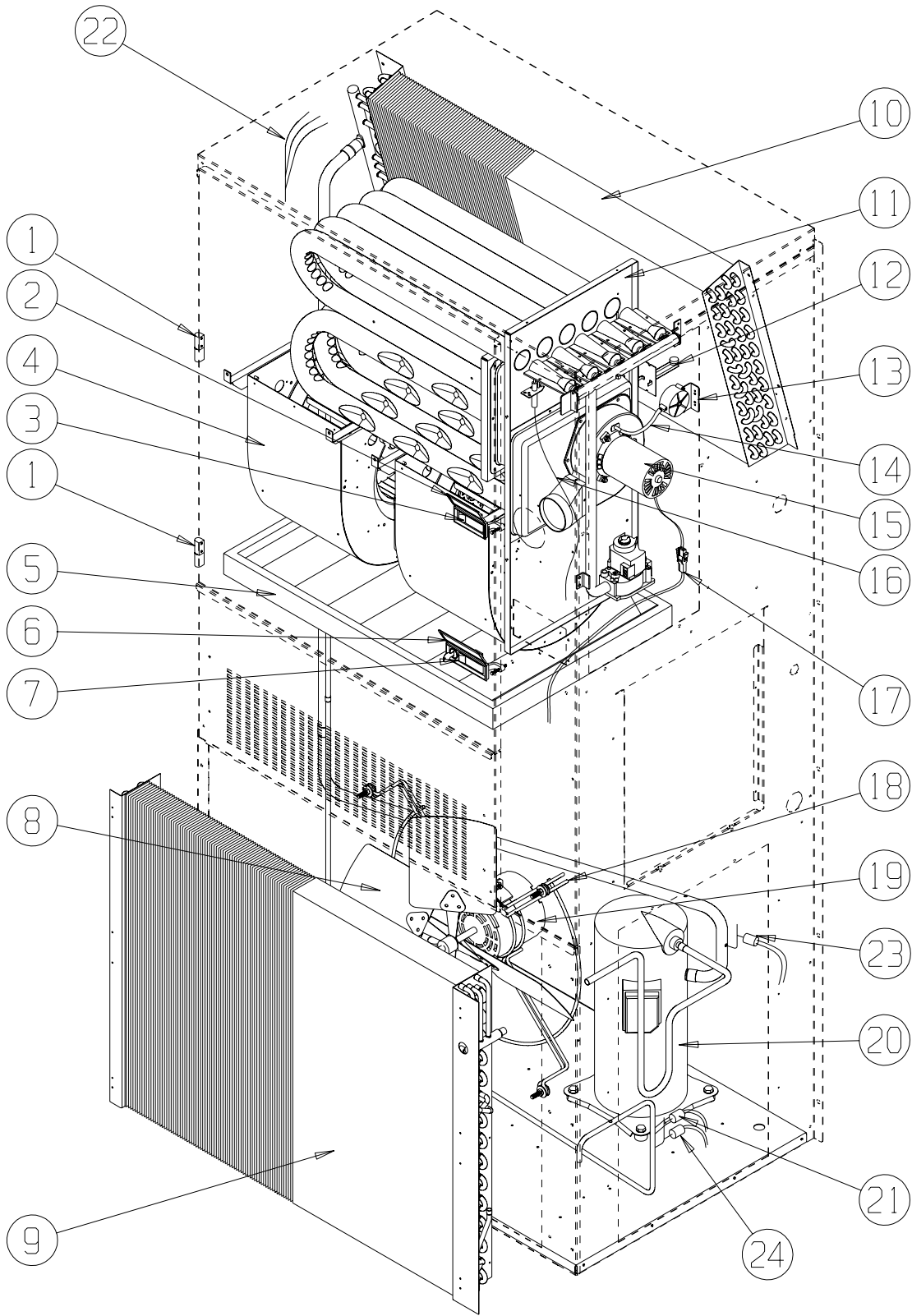
\* Exterior cabinet parts are manufactured with various paint color options. To insure that you receive the proper paint color, you must include the complete model and serial number of the unit for which cabinet parts are being ordered.

**Refer to drawing on Page 2**



**This page left blank intentionally**

# FUNCTIONAL COMPONENTS



**This drawing to be used for reference for Pages 11, 12 and 13.**

SEXP-460

# FUNCTIONAL COMPONENTS

Drawing No.	Part No.	Description	W42G1-AXB	W42G1-AXC	W42G1-AXD	W42G1-BXB	W42G1-BXC	W42G1-BXD	W42G1-CXB	W42G1-CXC	W42G1-CXD
1	5400-005	Metal Lift-Off Hinge	2	2	2	2	2	2	2	2	2
2	1171-050	Weather Cover for Latch 1171-048	X	X	X	X	X	X	X	X	X
3	1171-048	Black Non-Lockable Latch	X	X	X	X	X	X	X	X	X
4	S900-249	Complete Blower Assembly 230/208	X	X	X	X	X	X			
4	S900-277	Complete Blower Assembly 460V							X	X	X
5	7004-027	20 x 30 x 2 Pleated Filter (Standard)	X	X	X	X	X	X	X	X	X
5	7003-030	20 x 30 x 1 AF Filter (Optional)	X	X	X	X	X	X	X	X	X
6	1171-051	Weather Cover for Latch 1171-049	X	X	X	X	X	X	X	X	X
7	1171-049	Black Lockable Latch	X	X	X	X	X	X	X	X	X
8	5151-027	Fan Blade	X	X	X	X	X	X	X	X	X
9	5051-078BX	Coil	X	X	X	X	X	X	X	X	X
10	5060-106BX	Coil	X	X	X	X	X	X	X	X	X
11	Heat Exch.	See Burner Components Diagram	X	X	X	X	X	X	X	X	X
12	8402-123	Limit Control L180-30 3"	X	X		X	X		X	X	
12	8402-126	Limit Control L200-30 3"			X			X			X
13	8406-103	.55" ± .05" Pressure Switch	X	X	X	X	X	X	X	X	X
15	8109-014	Induced Draft Blower 230V w/Transition	X	X	X	X	X	X			
15	8109-015	Induced Draft Blower 460V w/Transition							X	X	X
16	8600-011	Suppression Ignition Cable	X	X	X	X	X	X	X	X	X
17	3000-1121	Wire Assembly	X	X	X	X	X	X			
17	3000-1124	Wire Assembly							X	X	X
18	8200-004	Fan Motor Mount	X	X	X	X	X	X	X	X	X
19	8105-039	Motor 230/208V	X	X	X	X	X	X			
19	8105-030	Motor 460V							X	X	X
20	8000-318	Compressor ZP39K5E-PFV-130	X	X	X						
20	8000-319	Compressor ZP39K5E-TF5-130				X	X	X			
20	8000-320	Compressor ZP39K5E-TFD-130							X	X	X
21	1804-0385	High Pressure Switch (Flare)	X	X	X	X	X	X	X	X	X
22	S800-0397	Distributor/Orifice .072	X	X	X	X	X	X	X	X	X
23	1804-0386	Low Pressure Switch - (Flare)	X	X	X	X	X	X	X	X	X
24	CMA-28	Low Ambient Control - Opt. - (Flare)	X	X	X	X	X	X	X	X	X
NS	S400-0183	Orifice Parts Bag 3 Tube 75K	X			X			X		
NS	S400-0184	Orifice Parts Bag 4 Tube 100K		X			X			X	
NS	S400-0185	Orifice Parts Bag 5 Tube 125K			X			X			X

NS - Not Shown  
Opt. = Optional

Refer to drawing on Page 10

# FUNCTIONAL COMPONENTS

Drawing No.	Part No.	Description	W48G1-AXB	W48G1-AXC	W48G1-AXD	W48G1-BXB	W48G1-BXC	W48G1-BXD	W48G1-CXB	W48G1-CXC	W48G1-CXD
1	5400-005	Metal Lift-Off Hinge	2	2	2	2	2	2	2	2	2
2	1171-050	Weather Cover for Latch 1171-048	X	X	X	X	X	X	X	X	X
3	1171-048	Black Non-Lockable Latch	X	X	X	X	X	X	X	X	X
4	S900-249	Complete Blower Assembly 230/208	X	X	X	X	X	X			
4	S900-277	Complete Blower Assembly 460V							X	X	X
5	7004-027	20 x 30 x 2 Pleated Filter (Standard)	X	X	X	X	X	X	X	X	X
5	7003-030	20 x 30 x 1 AF Filter (Optional)	X	X	X	X	X	X	X	X	X
6	1171-051	Weather Cover for Latch 1171-049	X	X	X	X	X	X	X	X	X
7	1171-049	Black Lockable Latch	X	X	X	X	X	X	X	X	X
8	5151-027	Fan Blade	X	X	X	X	X	X	X	X	X
9	5051-083BX	Coil	X	X	X	X	X	X	X	X	X
10	5060-106BX	Coil	X	X	X	X	X	X	X	X	X
11	Heat Exch.	See Burner Components Diagram	X	X	X	X	X	X	X	X	X
12	8402-123	Limit Control L180-30 3"	X	X		X	X		X	X	
12	8402-126	Limit Control L200-30 3"			X			X			X
13	8406-103	.55" ± .05" Pressure Switch	X	X	X	X	X	X	X	X	X
15	8109-014	Induced Draft Blower 230V w/Transition	X	X	X	X	X	X			
15	8109-015	Induced Draft Blower 460V w/Transition							X	X	X
16	8600-011	Suppression Ignition Cable	X	X	X	X	X	X	X	X	X
17	3000-1121	Wire Assembly	X	X	X	X	X	X			
17	3000-1124	Wire Assembly							X	X	X
18	8200-004	Fan Motor Mount	X	X	X	X	X	X	X	X	X
19	8105-039	Motor 230/208V	X	X	X	X	X	X			
19	8105-030	Motor 460V							X	X	X
20	8000-343	Compressor ZP44K5E-PFV-130	X	X	X						
20	8000-344	Compressor ZP44K5E-TF5-130				X	X	X			
20	8000-345	Compressor ZP44K5E-TFD-130							X	X	X
21	1804-0385	High Pressure Switch (Flare)	X	X	X	X	X	X	X	X	X
22	S800-0369	Distributor/Orifice .073	X	X	X	X	X	X	X	X	X
23	1804-0386	Low Pressure Switch - (Flare)	X	X	X	X	X	X	X	X	X
24	CMA-28	Low Ambient Control - Opt. - (Flare)	X	X	X	X	X	X	X	X	X
NS	S400-0183	Orifice Parts Bag 3 Tube 75K	X			X			X		
NS	S400-0184	Orifice Parts Bag 4 Tube 100K		X			X			X	
NS	S400-0185	Orifice Parts Bag 5 Tube 125K			X			X			X

NS - Not Shown  
Opt. = Optional

Refer to drawing on Page 10

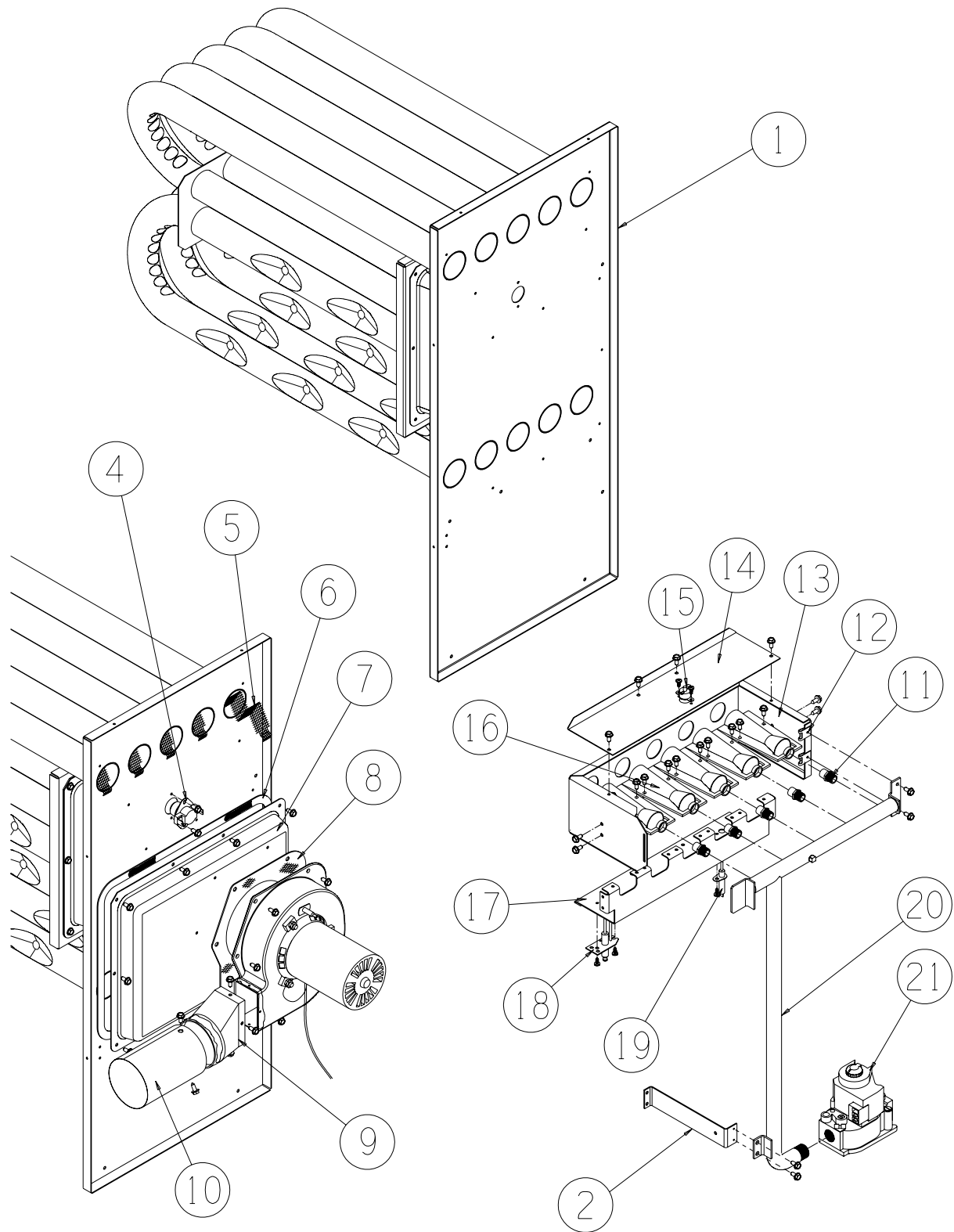
# FUNCTIONAL COMPONENTS

Drawing No.	Part No.	Description	W60G1-AXB	W60G1-AXC	W60G1-AXD	W60G1-BXB	W60G1-BXC	W60G1-BXD	W60G1-CXB	W60G1-CXC	W60G1-CXD
1	5400-005	Metal Lift-Off Hinge	2	2	2	2	2	2	2	2	2
2	1171-050	Weather Cover for Latch 1171-048	X	X	X	X	X	X	X	X	X
3	1171-048	Black Non-Lockable Latch	X	X	X	X	X	X	X	X	X
4	S900-249	Complete Blower Assembly 230/208	X	X	X	X	X	X			
4	S900-277	Complete Blower Assembly 460V							X	X	X
5	7004-027	20 x 30 x 2 Pleated Filter (Standard)	X	X	X	X	X	X	X	X	X
5	7003-030	20 x 30 x 1 AF Filter (Optional)	X	X	X	X	X	X	X	X	X
6	1171-051	Weather Cover for Latch 1171-049	X	X	X	X	X	X	X	X	X
7	1171-049	Black Lockable Latch	X	X	X	X	X	X	X	X	X
8	5151-027	Fan Blade	X	X	X	X	X	X	X	X	X
9	5051-083BX	Coil	X	X	X	X	X	X	X	X	X
10	5060-105BX	Coil	X	X	X	X	X	X	X	X	X
11	Heat Exch.	See Burner Components Diagram	X	X	X	X	X	X	X	X	X
12	8402-123	Limit Control L180-30 3"	X	X		X	X		X	X	
12	8402-126	Limit Control L200-30 3"			X			X			X
13	8406-103	.55" ± .05" Pressure Switch	X	X	X	X	X	X	X	X	X
15	8109-014	Induced Draft Blower 230V w/Transition	X	X	X	X	X	X			
15	8109-015	Induced Draft Blower 460V w/Transition							X	X	X
16	8600-011	Suppression Ignition Cable	X	X	X	X	X	X	X	X	X
17	3000-1121	Wire Assembly	X	X	X	X	X	X			
17	3000-1124	Wire Assembly							X	X	X
18	8200-004	Fan Motor Mount	X	X	X	X	X	X	X	X	X
19	8105-039	Motor 230/208V	X	X	X	X	X	X			
19	8105-030	Motor 460V							X	X	X
20	8000-324	Compressor ZP54K5E-PFV-130	X	X	X						
20	8000-325	Compressor ZP54K5E-TF5-130				X	X	X			
20	8000-326	Compressor ZP54K5E-TFD-130							X	X	X
21	1804-0385	High Pressure Switch (Flare)	X	X	X	X	X	X	X	X	X
22	S800-0398	Distributor/Orifice .086	X	X	X	X	X	X	X	X	X
23	1804-0386	Low Pressure Switch - (Flare)	X	X	X	X	X	X	X	X	X
24	CMA-28	Low Ambient Control - Opt. - (Flare)	X	X	X	X	X	X	X	X	X
NS	S400-0183	Orifice Parts Bag 3 Tube 75K	X			X			X		
NS	S400-0184	Orifice Parts Bag 4 Tube 100K		X			X			X	
NS	S400-0185	Orifice Parts Bag 5 Tube 125K			X			X			X

NS - Not Shown  
Opt. = Optional

**Refer to drawing on Page 10**

# BURNER COMPONENTS



SEXP-351

**This drawing to be used for reference for Pages 15, 16 and 17.**

# BURNER COMPONENTS

Drawing No.	Part No.	Description	W42G1-*XB	W42G1-*NB	W42G1-*XC	W42G1-*NC	W42G1-*XD
1	S171-243	Heat Exchanger Assembly 75K	X	X			
1	S171-245	Heat Exchanger Assembly 100K			X	X	
1	S171-247	Heat Exchanger Assembly 125K					X
2	113-268	Manifold Bracket	X	X	X	X	X
4	8402-116	Limit Control L300-30	X	X	X	X	X
5	9010-083	NOx Screen		3		4	
6	1921-025-4600	46" Glas-Tak Tape	X	X	X	X	X
7	168-126	Collector Box	X	X			
7	168-127	Collector Box			X	X	
7	168-128	Collector Box					X
8	1921-044	Gasket Set	X	X	X	X	X
9	5809-013	3" Cast Inducer Transition	X	X	X	X	X
10	5809-017	3.031" x 4.625" Transition	X	X	X	X	X
11	9010-079	Orifice 2.40mm (.0960 diameter)	3	3	4	4	5
11	9010-082	Orifice 2.30mm (10% derate)	3	3	4	4	5
12	1012-314	U Clip Fastener	4	4	4	4	4
13	163-042	Burner Box	X	X			
13	163-044	Burner Box			X	X	
13	163-046	Burner Box					X
14	141-268	Flame Rollout Support	X	X			
14	141-269	Flame Rollout Support			X	X	
14	141-270	Flame Rollout Support					X
15	8402-124	Flame Rollout Switch L270	X	X	X	X	X
16	9010-078	In-Shot Burner 2.5 x 4.5	3	3	4	4	5
17	163-041	Burner Support	X	X			
17	163-043	Burner Support			X	X	
17	163-045	Burner Support					X
18	8554-024	DSI Spark Igniter	X	X	X	X	X
19	8554-025	Flame Sensor	X	X	X	X	X
20	5818-054	3-Hole Gas Manifold - 1/2"	X	X			
20	5818-055	4-Hole Gas Manifold - 1/2"			X	X	
20	5818-056	5-Hole Gas Manifold - 1/2"					X
21	5651-160	Natural Gas Valve 1/2 x 1/2	X	X	X	X	X

**Refer to drawing on Page 14**

# BURNER COMPONENTS

Drawing No.	Part No.	Description	W48G1-*XB	W48G1-*NB	W48G1-*XC	W48G1-*NC	W48G1-*XD
1	S171-243	Heat Exchanger Assembly 75K	X	X			
1	S171-245	Heat Exchanger Assembly 100K			X	X	
1	S171-247	Heat Exchanger Assembly 125K					X
2	113-268	Manifold Bracket	X	X	X	X	X
4	8402-116	Limit Control L300-30	X	X	X	X	X
5	9010-083	NOx Screen		3		4	
6	1921-025-4600	46" Glas-Tak Tape	X	X	X	X	X
7	168-126	Collector Box	X	X			
7	168-127	Collector Box			X	X	
7	168-128	Collector Box					X
8	1921-044	Gasket Set	X	X	X	X	X
9	5809-013	3" Cast Inducer Transition	X	X	X	X	X
10	5809-017	3.031" x 4.625" Transition	X	X	X	X	X
11	9010-079	Orifice 2.40mm (.0960 diameter)	3	3	4	4	5
11	9010-082	Orifice 2.30mm (10% derate)	3	3	4	4	5
12	1012-314	U Clip Fastener	4	4	4	4	4
13	163-042	Burner Box	X	X			
13	163-044	Burner Box			X	X	
13	163-046	Burner Box					X
14	141-268	Flame Rollout Support	X	X			
14	141-269	Flame Rollout Support			X	X	
14	141-270	Flame Rollout Support					X
15	8402-124	Flame Rollout Switch L270	X	X	X	X	X
16	9010-078	In-Shot Burner 2.5 x 4.5	3	3	4	4	5
17	163-041	Burner Support	X	X			
17	163-043	Burner Support			X	X	
17	163-045	Burner Support					X
18	8554-024	DSI Spark Igniter	X	X	X	X	X
19	8554-025	Flame Sensor	X	X	X	X	X
20	5818-054	3-Hole Gas Manifold - 1/2"	X	X			
20	5818-055	4-Hole Gas Manifold - 1/2"			X	X	
20	5818-056	5-Hole Gas Manifold - 1/2"					X
21	5651-160	Natural Gas Valve 1/2 x 1/2	X	X	X	X	X

Refer to drawing on Page 14

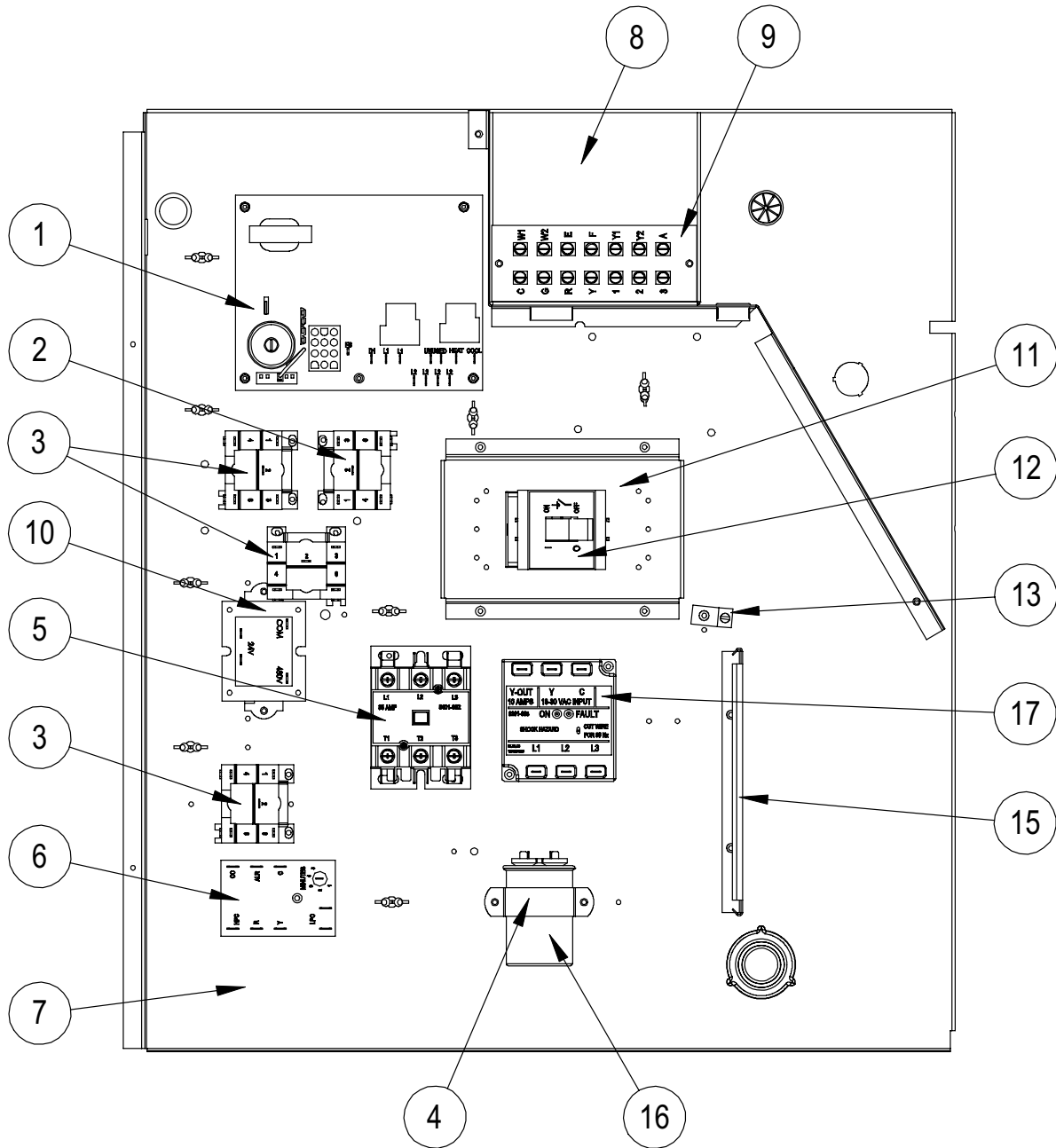


# BURNER COMPONENTS

Drawing No.	Part No.	Description	W60G1-*XB	W60G1-*NB	W60G1-*XC	W60G1-*NC	W60G1-*XD
1	S171-243	Heat Exchanger Assembly 75K	X	X			
1	S171-245	Heat Exchanger Assembly 100K			X	X	
1	S171-247	Heat Exchanger Assembly 125K					X
2	113-268	Manifold Bracket	X	X	X	X	X
4	8402-116	Limit Control L300-30	X	X	X	X	X
5	9010-083	NOx Screen		3		4	
6	1921-025-4600	46" Glas-Tak Tape	X	X	X	X	X
7	168-126	Collector Box	X	X			
7	168-127	Collector Box			X	X	
7	168-128	Collector Box					X
8	1921-044	Gasket Set	X	X	X	X	X
9	5809-013	3" Cast Inducer Transition	X	X	X	X	X
10	5809-017	3.031" x 4.625" Transition	X	X	X	X	X
11	9010-079	Orifice 2.40mm (.0960 diameter)	3	3	4	4	5
11	9010-082	Orifice 2.30mm (10% derate)	3	3	4	4	5
12	1012-314	U Clip Fastener	4	4	4	4	4
13	163-042	Burner Box	X	X			
13	163-044	Burner Box			X	X	
13	163-046	Burner Box					X
14	141-268	Flame Rollout Support	X	X			
14	141-269	Flame Rollout Support			X	X	
14	141-270	Flame Rollout Support					X
15	8402-124	Flame Rollout Switch L270	X	X	X	X	X
16	9010-078	In-Shot Burner 2.5 x 4.5	3	3	4	4	5
17	163-041	Burner Support	X	X			
17	163-043	Burner Support			X	X	
17	163-045	Burner Support					X
18	8554-024	DSI Spark Igniter	X	X	X	X	X
19	8554-025	Flame Sensor	X	X	X	X	X
20	5818-054	3-Hole Gas Manifold - 1/2"	X	X			
20	5818-055	4-Hole Gas Manifold - 1/2"			X	X	
20	5818-056	5-Hole Gas Manifold - 1/2"					X
21	5651-160	Natural Gas Valve 1/2 x 1/2	X	X	X	X	X

**Refer to drawing on Page 14**

# CONTROL PANEL



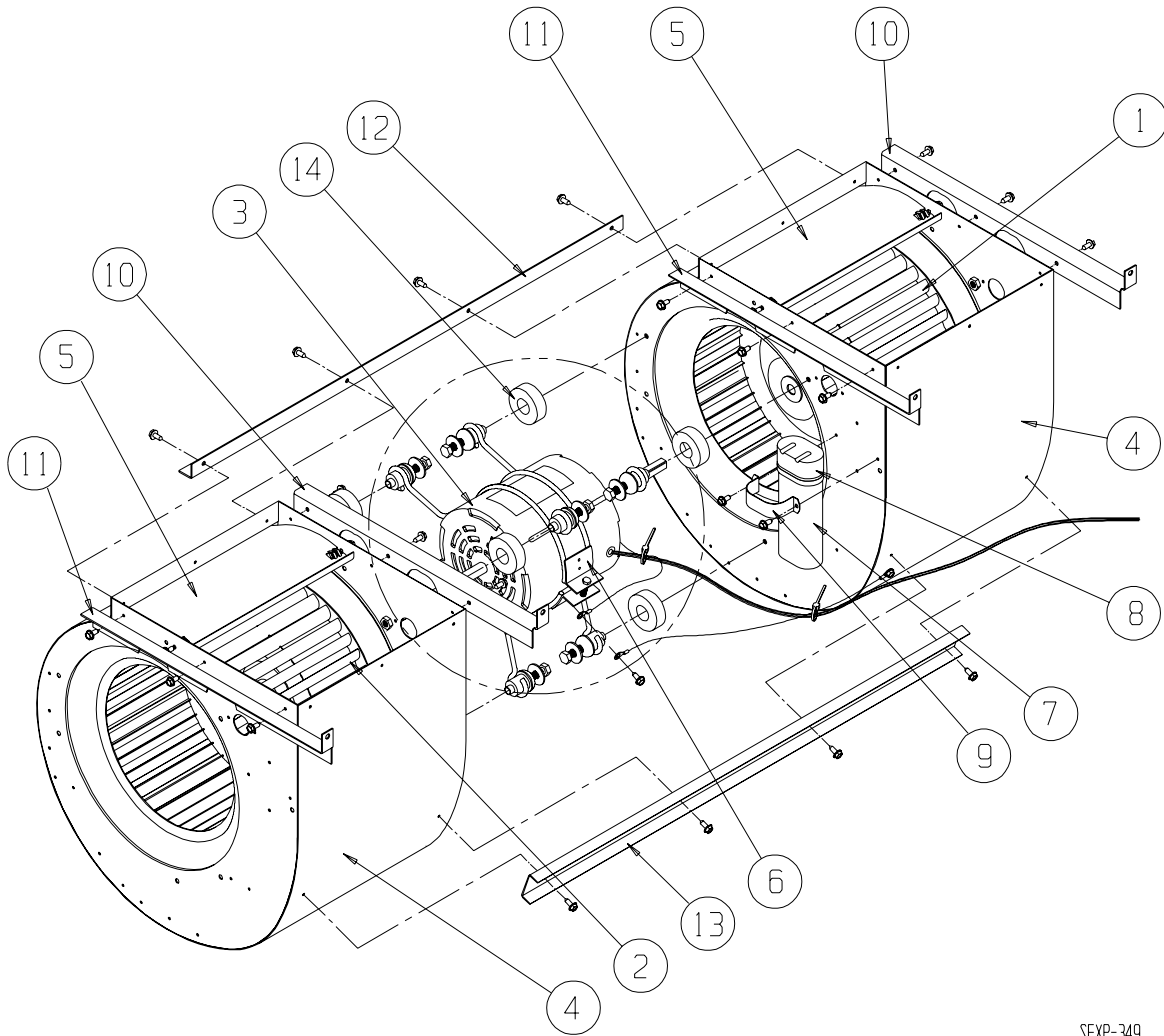
SEXP-564

# CONTROL PANEL

Drawing No.	Part No.	Description	W42G1-A	W42G1-B	W42G1-C	W48G1-A	W48G1-B	W48G1-C	W60G1-A	W60G1-B	W60G1-C
1	5651-159	Integrated Furnace Control	X	X	X	X	X	X	X	X	X
1	8614-045	3A Circuit Board Fuse	X	X	X	X	X	X	X	X	X
2	8201-086	460 Volt Relay DPDT			X			X			X
3	8201-032	460 Volt Relay SPDT			3			3			3
4	8550-008	Capacitor Bracket	X			X			X		
4	8550-003	Capacitor Bracket		X	X		X	X		X	X
5	8401-025	Compressor Contactor, 2 Pole, 40A	X			X			X		
5	8401-002	Compressor Contactor, 3 Pole, 25A		X	X		X	X		X	X
6	8201-088	Compressor Control Module	X	X	X	X	X	X	X	X	X
7	517-276	Control Panel	X	X	X	X	X	X	X	X	X
8	117-248	Low Voltage Box	X	X	X	X	X	X	X	X	X
9	8607-024	Terminal Strip	X	X	X	X	X	X	X	X	X
10	8407-035	Transformer 50 VA 208/240 - 24V	X	X		X	X		X	X	
10	8407-042	Transformer 50 VA 480 - 24V			X			X			X
11	113-269	Circuit Breaker Mounting Base	X	X	X	X	X	X	X	X	X
12	8615-040	Circuit Breaker, 50A, 2 Pole, 240V	X			X					
12	8615-042	Circuit Breaker, 35A, 3 Pole, 240V		X			X				
12	8615-067	460V 40A Toggle Disconnect			X			X			X
12	8615-041	Circuit Breaker, 60A, 2 Pole, 240V							X		
12	8615-043	Circuit Breaker, 40A, 3 Pole, 240V								X	
13	8611-006	Ground Terminal	X	X	X	X	X	X	X	X	X
14	8615-057	Circuit Breaker Mounting Feet	2	2		2	2		2	2	
14	8615-008	Circuit Breaker Mounting Feet			.5			.5			.5
15	135-130	Wire Shield	X	X	X	X	X	X	X	X	X
16	8552-079	Capacitor 45+10 MFD 370V	X								
16	8552-005	Capacitor 10 MFD 370V		X			X			X	
16	8552-089	Capacitor 70+10 MFD 370V				X					
16	8552-058	Capacitor 80+10 MFD 440V							X		
16	8552-026	Capacitor 15 MFD 370V			X			X			X
17	8201-085	3 Phase Line Monitor		X	X		X	X		X	X
NS	4085A146	Wiring Diagram	X			X					
NS	4085A246	Wiring Diagram		X			X				
NS	4085A367	Wiring Diagram			X			X			
NS	4085A148	Wiring Diagram							X		
NS	4085A248	Wiring Diagram								X	
NS	4085A369	Wiring Diagram									X

NS – Not Shown

# BLOWER ASSEMBLY



SEXP-349

Drawing No.	Part No.	Description	S900-249	S900-277
1	5152-011	Blower Wheel 10-8	X	X
2	5152-012	Blower Wheel 10-8	X	X
3	8106-038	Motor 230/208 V	X	
3	8620-209	Motor 460V		X
4	151-101	Blower Housing	2	2
5	144-166	Diffuser	2	2
6	8200-040	Motor Mount	X	X
7	8552-005	Capacitor 10 MFD 370V	X	X
8	8611-002	Capacitor Boot	X	X
9	8550-003	Capacitor Bracket	X	X
10	105X1075	Angle – Right	2	2
11	105Y1075	Angle – Left	2	2
12	105-881	Angle – Back	X	X
13	165-564	Channel – Front	X	X
14	5451-011	Grommets	3	3