

---

# WALL MOUNTED GAS/ELECTRIC

## REPLACEMENT PARTS MANUAL

### MODELS:

W24G1DA	W24G1DB	W24G1DC
W30G1DA	W30G1DB	W30G1DC
W36G1DA	W36G1DB	W36G1DC

---

### General Notes

- Revised and/or additional pages may be issued from time to time.
- A complete and current manual consists of pages shown in the following contents section.

### Important

- Contact the installing and/or local Bard distributor for all parts requirements. Make sure you have the complete model and serial number available from the unit rating plates.

### Contents

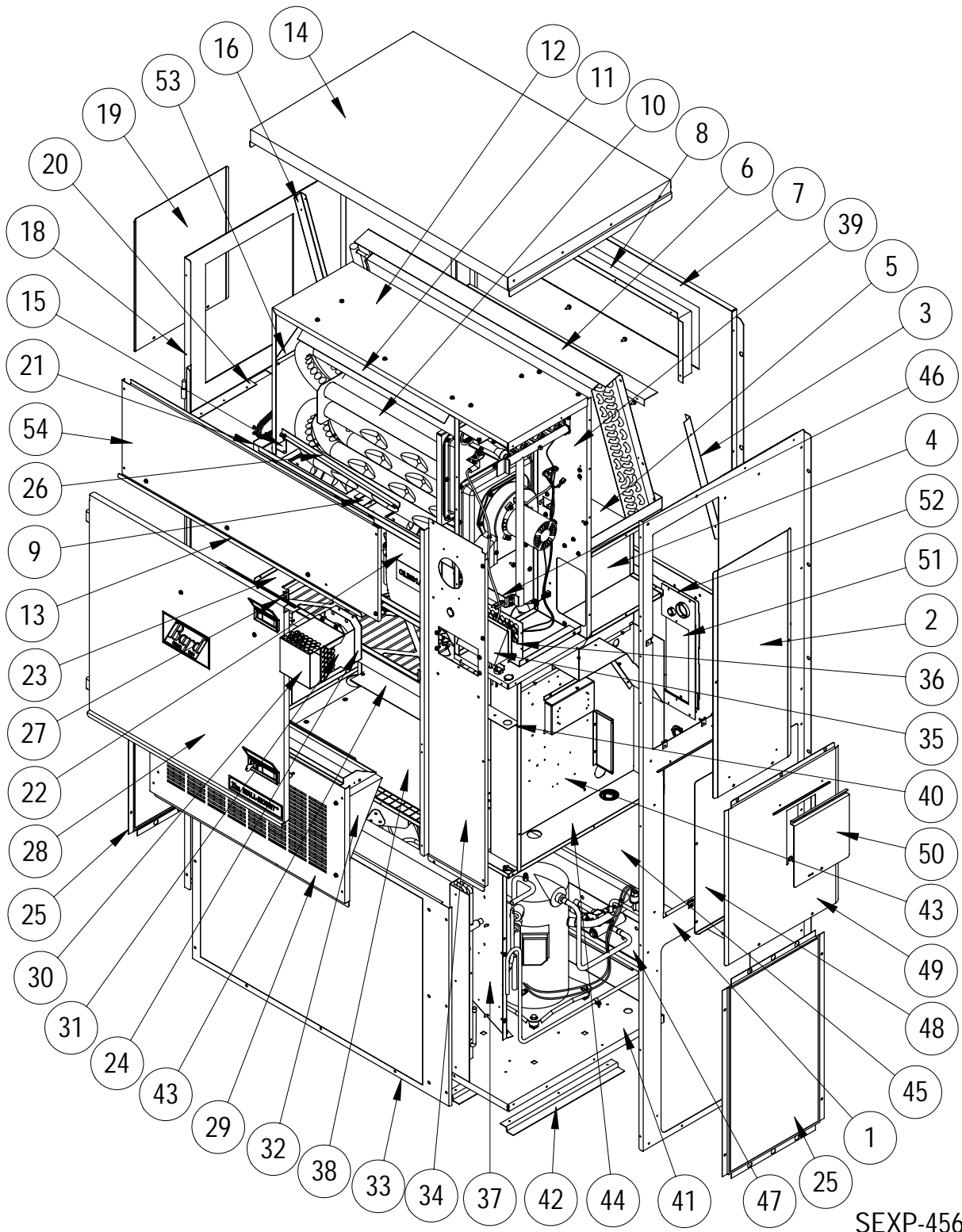
<i>Description</i>	<i>Page</i>
Cabinet Components	
♦ Exploded View .....	2
♦ Usage List .....	3
♦ Usage List .....	4
♦ Usage List .....	5
♦ Usage List .....	6
♦ Usage List .....	7
♦ Usage List .....	8
♦ Blank Page .....	9
Functional Components	
♦ Exploded View .....	10
♦ Usage List .....	11
♦ Usage List .....	12
♦ Usage List .....	13
Burner Components	
♦ Exploded View .....	14
♦ Usage List .....	15
♦ Usage List .....	16
♦ Usage List .....	17
Control Panel	
♦ Layout .....	18
♦ Usage List .....	19
Blower Assembly	
♦ Exploded View .....	20
♦ Usage List .....	20



Bard Manufacturing Company, Inc.  
Bryan, Ohio 43506  
*Since 1914...Moving ahead, just as planned.*

Manual: 2110-810A  
Supersedes: 2110-810  
File: Vol. III Tab 20  
Date: 08-22-13

# CABINET COMPONENTS



SEXP-456

This drawing to be used as reference for Pages 3, 4, 5, 6, 7 and 8.

# CABINET COMPONENTS

Drawing No.	Part No.	Description	W24G1DAXA	W24G1DAXB	W24G1DAXC	W24G1DBXA	W24G1DBXB	W24G1DBXC	W24G1DCXA	W24G1DCXB	W24G1DCXC
1	501-568-*	Right Side Assembly	X	X	X	X	X	X	X	X	X
2	S153-347-*	Vestibule Service Door	X	X	X	X	X	X	X	X	X
3	105X1073	Right Evaporator Support Angle	X	X	X	X	X	X	X	X	X
4	541-285	Right Drain Pan Support Assembly	X	X	X	X	X	X	X	X	X
5	S523-107	Drain Pan Assembly	X	X	X	X	X	X	X	X	X
6	105-1115	Evaporator Coil Fill Angle	X	X	X	X	X	X	X	X	X
7	509-166	Upper Back	X	X	X	X	X	X	X	X	X
8	111-091	Supply Air Frame	2	2	2	2	2	2	2	2	2
9	103-452	Heat Exchanger Support Offset	X	X	X	X	X	X	X	X	X
10	Heat Exch Assy	See Burner Components Diagram									
11	105-1113	Top Heat Exchanger Deflector	X	X	X	X	X	X	X	X	X
12	135-217	Inner Air Baffle	X	X	X	X	X	X	X	X	X
13	165-573-*	Top Rain Channel	X	X	X	X	X	X	X	X	X
14	507-242-*	Top Assembly	X	X	X	X	X	X	X	X	X
15	105-1112	Door Stop Gusset	X	X	X	X	X	X	X	X	X
16	105Y1073	Left Evaporator Support Angle	X	X	X	X	X	X	X	X	X
17	542-082	Rear Block Off Plate Assembly	X	X	X	X	X	X	X	X	X
18	501-569-*	Left Side Assembly	X	X	X	X	X	X	X	X	X
19	543-070-*	Left Access Cover	X	X	X	X	X	X	X	X	X
20	105-1108	Left Support Angle	X	X	X	X	X	X	X	X	X
21	S121-353	Blower Partition	X	X	X	X	X	X	X	X	X
22	S900-266	Complete Blower Assembly - 230V	X	X	X	X	X				
22	S900-275	Complete Blower Assembly - 460V						X	X	X	
23	131-162	Filter Tray	X	X	X	X	X	X	X	X	X
24	1921-051	Vent Terminal Gasket	X	X	X	X	X	X	X	X	X
25	118-083-*	Side Grille	2	2	2	2	2	2	2	2	2
26	105-1111	Door Stop Angle	X	X	X	X	X	X	X	X	X
<b>Continued on Page 4</b>											

\* Exterior cabinet parts are manufactured with various paint color options. To ensure that you receive the proper paint color, you must include the complete model and serial number of the unit for which cabinet parts are being ordered.

**Refer to drawing on Page 2**

# CABINET COMPONENTS

Drawing No.	Part No.	Description	W24G1DAXA	W24G1DAXB	W24G1DAXC	W24G1DBXA	W24G1DBXB	W24G1DBXC	W24G1DCXA	W24G1DCXB	W24G1DCXC
<b>Continued from Page 3</b>											
27	105-1069	Door Stop Slide	X	X	X	X	X	X	X	X	X
28	S553-377-*	Front Door Assembly	X	X	X	X	X	X	X	X	X
29	553-346-*	Vent Option Door Assembly	X	X	X	X	X	X	X	X	X
30	169-119	Outer Vent Hood	X	X	X	X	X	X	X	X	X
31	169-120	Inner Vent Hood	X	X	X	X	X	X	X	X	X
32	WGBFAD-3	Barometric Fresh Air Damper	X	X	X	X	X	X	X	X	X
33	118-059-*	Condenser Grille	X	X	X	X	X	X	X	X	X
34	549-098-*	Right Front Corner Assembly	X	X	X	X	X	X	X	X	X
35	S135-181-*	Air Intake Hood	X	X	X	X	X	X	X	X	X
36	S134-182-*	Air Intake Back	X	X	X	X	X	X	X	X	X
37	125-022	Fan Shroud	X	X	X	X	X	X	X	X	X
38	542-138	Cond. Block Off Plate Assembly	X	X	X	X	X	X	X	X	X
39	541-286	Heat Exchanger Support Assembly	X	X	X	X	X	X	X	X	X
40	142-080	Filter Blank Off Plate	X	X	X	X	X	X	X	X	X
41	127-318	Lower Base	X	X	X	X	X	X	X	X	X
42	103-449	Lower Base Offset	3	3	3	3	3	3	3	3	3
43	517-276	Control Panel Assembly	X	X	X	X	X	X	X	X	X
44	521-441	Condenser Partition Assembly	X	X	X	X	X	X	X	X	X
45	509-167	Lower Back Assembly	X	X	X	X	X	X	X	X	X
46	113-268	Manifold Bracket	X	X	X	X	X	X	X	X	X
47	113-140	Bottom Support Bracket	X	X	X	X	X	X	X	X	X
48	S133-163	Circuit Breaker Inner Door	X	X	X	X	X				
48	S133-205	Toggle Disconnect Inner Door							X	X	X
49	S533-162-*	Control Panel Cover Assembly	X	X	X	X	X	X	X	X	X
50	S153-328-*	Disconnect Access Door	X	X	X	X	X	X	X	X	X
51	134-199	Conduit Access Panel	X	X	X	X	X	X	X	X	X
52	156-030	Conduit Entrance Plate	X	X	X	X	X	X	X	X	X
53	135-200	Inner Furnace Air Baffle	X	X	X	X	X	X	X	X	X
54	553-376-*	Upper Door Assembly	X	X	X	X	X	X	X	X	X

\* Exterior cabinet parts are manufactured with various paint color options. To ensure that you receive the proper paint color, you must include the complete model and serial number of the unit for which cabinet parts are being ordered.

**Refer to drawing on Page 2**

# CABINET COMPONENTS

Drawing No.	Part No.	Description	W30G1DAXA	W30G1DAXB	W30G1DAXC	W30G1DBXA	W30G1DBXB	W30G1DBXC	W30G1DCXA	W30G1DCXB	W30G1DCXC
1	501-568-*	Right Side Assembly	X	X	X	X	X	X	X	X	X
2	S153-347-*	Vestibule Service Door	X	X	X	X	X	X	X	X	X
3	105X1073	Right Evaporator Support Angle	X	X	X	X	X	X	X	X	X
4	541-285	Right Drain Pan Support Assembly	X	X	X	X	X	X	X	X	X
5	S523-107	Drain Pan Assembly	X	X	X	X	X	X	X	X	X
6	105-1115	Evaporator Coil Fill Angle	X	X	X	X	X	X	X	X	X
7	509-166	Upper Back	X	X	X	X	X	X	X	X	X
8	111-091	Supply Air Frame	2	2	2	2	2	2	2	2	2
9	103-452	Heat Exchanger Support Offset	X	X	X	X	X	X	X	X	X
10	Heat Exch Assy	See Burner Components Diagram									
11	105-1113	Top Heat Exchanger Deflector	X	X	X	X	X	X	X	X	X
12	135-217	Inner Air Baffle	X	X	X	X	X	X	X	X	X
13	165-573-*	Top Rain Channel	X	X	X	X	X	X	X	X	X
14	507-242-*	Top Assembly	X	X	X	X	X	X	X	X	X
15	105-1112	Door Stop Gusset	X	X	X	X	X	X	X	X	X
16	105Y1073	Left Evaporator Support Angle	X	X	X	X	X	X	X	X	X
17	542-082	Rear Block Off Plate Assembly	X	X	X	X	X	X	X	X	X
18	501-569-*	Left Side Assembly	X	X	X	X	X	X	X	X	X
19	543-070-*	Left Access Cover	X	X	X	X	X	X	X	X	X
20	105-1108	Left Support Angle	X	X	X	X	X	X	X	X	X
21	S121-353	Blower Partition	X	X	X	X	X	X	X	X	X
22	S900-267	Complete Blower Assembly - 230V	X	X	X	X	X				
22	S900-276	Complete Blower Assembly - 460V						X	X	X	
23	131-162	Filter Tray	X	X	X	X	X	X	X	X	X
24	1921-051	Vent Terminal Gasket	X	X	X	X	X	X	X	X	X
25	118-083-*	Side Grille	2	2	2	2	2	2	2	2	2
26	105-1111	Door Stop Angle	X	X	X	X	X	X	X	X	X
<b>Continued on Page 6</b>											

\* Exterior cabinet parts are manufactured with various paint color options. To ensure that you receive the proper paint color, you must include the complete model and serial number of the unit for which cabinet parts are being ordered.

**Refer to drawing on Page 2**

# CABINET COMPONENTS

Drawing No.	Part No.	Description	W30G1DAXA	W30G1DAXB	W30G1DAXC	W30G1DBXA	W30G1DBXB	W30G1DBXC	W30G1DCXA	W30G1DCXB	W30G1DCXC
<b>Continued from Page 5</b>											
27	105-1069	Door Stop Slide	X	X	X	X	X	X	X	X	X
28	S553-377-*	Front Door Assembly	X	X	X	X	X	X	X	X	X
29	553-346-*	Vent Option Door Assembly	X	X	X	X	X	X	X	X	X
30	169-119	Outer Vent Hood	X	X	X	X	X	X	X	X	X
31	169-120	Inner Vent Hood	X	X	X	X	X	X	X	X	X
32	WGBFAD-3	Barometric Fresh Air Damper	X	X	X	X	X	X	X	X	X
33	118-059-*	Condenser Grille	X	X	X	X	X	X	X	X	X
34	549-098-*	Right Front Corner Assembly	X	X	X	X	X	X	X	X	X
35	S135-181-*	Air Intake Hood	X	X	X	X	X	X	X	X	X
36	S134-182-*	Air Intake Back	X	X	X	X	X	X	X	X	X
37	125-022	Fan Shroud	X	X	X	X	X	X	X	X	X
38	542-138	Cond. Block Off Plate Assembly	X	X	X	X	X	X	X	X	X
39	541-286	Heat Exchanger Support Assembly	X	X	X	X	X	X	X	X	X
40	142-080	Filter Blank Off Plate	X	X	X	X	X	X	X	X	X
41	127-318	Lower Base	X	X	X	X	X	X	X	X	X
42	103-449	Lower Base Offset	3	3	3	3	3	3	3	3	3
43	517-276	Control Panel Assembly	X	X	X	X	X	X	X	X	X
44	521-441	Condenser Partition Assembly	X	X	X	X	X	X	X	X	X
45	509-167	Lower Back Assembly	X	X	X	X	X	X	X	X	X
46	113-268	Manifold Bracket	X	X	X	X	X	X	X	X	X
47	113-140	Bottom Support Bracket	X	X	X	X	X	X	X	X	X
48	S133-163	Circuit Breaker Inner Door	X	X	X	X	X				
48	S133-205	Disconnect Inner Door							X	X	X
49	S533-162-*	Control Panel Cover Assembly	X	X	X	X	X	X	X	X	X
50	S153-328-*	Disconnect Access Door	X	X	X	X	X	X	X	X	X
51	134-199	Conduit Access Panel	X	X	X	X	X	X	X	X	X
52	156-030	Conduit Entrance Plate	X	X	X	X	X	X	X	X	X
53	135-200	Inner Furnace Air Baffle	X	X	X	X	X	X	X	X	X
54	553-376-*	Upper Door Assembly	X	X	X	X	X	X	X	X	X

\* Exterior cabinet parts are manufactured with various paint color options. To ensure that you receive the proper paint color, you must include the complete model and serial number of the unit for which cabinet parts are being ordered.

**Refer to drawing on Page 2**

# CABINET COMPONENTS

Drawing No.	Part No.	Description	W36G1DAXA	W36G1DAXB	W36G1DAXC	W36G1DBXA	W36G1DBXB	W36G1DBXC	W36G1DCXA	W36G1DCXB	W36G1DCXC
1	501-568-*	Right Side Assembly	X	X	X	X	X	X	X	X	X
2	S153-347-*	Vestibule Service Door	X	X	X	X	X	X	X	X	X
3	105X1073	Right Evaporator Support Angle	X	X	X	X	X	X	X	X	X
4	541-285	Right Drain Pan Support Assembly	X	X	X	X	X	X	X	X	X
5	S523-107	Drain Pan Assembly	X	X	X	X	X	X	X	X	X
6	105-1115	Evaporator Coil Fill Angle	X	X	X	X	X	X	X	X	X
7	509-166	Upper Back	X	X	X	X	X	X	X	X	X
8	111-091	Supply Air Frame	2	2	2	2	2	2	2	2	2
9	103-452	Heat Exchanger Support Offset	X	X	X	X	X	X	X	X	X
10	Heat Exch Assy	See Burner Components Diagram									
11	105-1113	Top Heat Exchanger Deflector	X	X	X	X	X	X	X	X	X
12	135-217	Inner Air Baffle	X	X	X	X	X	X	X	X	X
13	165-573-*	Top Rain Channel	X	X	X	X	X	X	X	X	X
14	507-242-*	Top Assembly	X	X	X	X	X	X	X	X	X
15	105-1112	Door Stop Gusset	X	X	X	X	X	X	X	X	X
16	105Y1073	Left Evaporator Support Angle	X	X	X	X	X	X	X	X	X
17	542-082	Rear Block Off Plate Assembly	X	X	X	X	X	X	X	X	X
18	501-569-*	Left Side Assembly	X	X	X	X	X	X	X	X	X
19	543-070-*	Left Access Cover	X	X	X	X	X	X	X	X	X
20	105-1108	Left Support Angle	X	X	X	X	X	X	X	X	X
21	S121-353	Blower Partition	X	X	X	X	X	X	X	X	X
22	S900-267	Complete Blower Assembly - 230V	X	X	X	X	X				
22	S900-276	Complete Blower Assembly - 460V						X	X	X	
23	131-162	Filter Tray	X	X	X	X	X	X	X	X	X
24	1921-051	Vent Terminal Gasket	X	X	X	X	X	X	X	X	X
25	118-083-*	Side Grille	2	2	2	2	2	2	2	2	2
26	105-1111	Door Stop Angle	X	X	X	X	X	X	X	X	X
<b>Continued on Page 8</b>											

\* Exterior cabinet parts are manufactured with various paint color options. To ensure that you receive the proper paint color, you must include the complete model and serial number of the unit for which cabinet parts are being ordered.

**Refer to drawing on Page 2**

# CABINET COMPONENTS

Drawing No.	Part No.	Description	W36G1DAXA	W36G1DAXB	W36G1DAXC	W36G1DBXA	W36G1DBXB	W36G1DBXC	W36G1DCXA	W36G1DCXB	W36G1DCXC
<b>Continued from Page 7</b>											
27	105-1069	Door Stop Slide	X	X	X	X	X	X	X	X	X
28	S553-377-*	Front Door Assembly	X	X	X	X	X	X	X	X	X
29	553-346-*	Vent Option Door Assembly	X	X	X	X	X	X	X	X	X
30	169-119	Outer Vent Hood	X	X	X	X	X	X	X	X	X
31	169-120	Inner Vent Hood	X	X	X	X	X	X	X	X	X
32	WGBFAD-3	Barometric Fresh Air Damper	X	X	X	X	X	X	X	X	X
33	118-059-*	Condenser Grille	X	X	X	X	X	X	X	X	X
34	549-098-*	Right Front Corner Assembly	X	X	X	X	X	X	X	X	X
35	S135-181-*	Air Intake Hood	X	X	X	X	X	X	X	X	X
36	S134-182-*	Air Intake Back	X	X	X	X	X	X	X	X	X
37	125-022	Fan Shroud	X	X	X	X	X	X	X	X	X
38	542-138	Cond. Block Off Plate Assembly	X	X	X	X	X	X	X	X	X
39	541-286	Heat Exchanger Support Assembly	X	X	X	X	X	X	X	X	X
40	142-080	Filter Blank Off Plate	X	X	X	X	X	X	X	X	X
41	127-318	Lower Base	X	X	X	X	X	X	X	X	X
42	103-449	Lower Base Offset	3	3	3	3	3	3	3	3	3
43	517-276	Control Panel Assembly	X	X	X	X	X	X	X	X	X
44	521-441	Condenser Partition Assembly	X	X	X	X	X	X	X	X	X
45	509-167	Lower Back Assembly	X	X	X	X	X	X	X	X	X
46	113-268	Manifold Bracket	X	X	X	X	X	X	X	X	X
47	113-140	Bottom Support Bracket	X	X	X	X	X	X	X	X	X
48	S133-163	Circuit Breaker Inner Door	X	X	X	X	X				
48	S133-205	Disconnect Inner Door							X	X	X
49	S533-162-*	Control Panel Cover Assembly	X	X	X	X	X	X	X	X	X
50	S153-328-*	Disconnect Access Door	X	X	X	X	X	X	X	X	X
51	134-199	Conduit Access Panel	X	X	X	X	X	X	X	X	X
52	156-030	Conduit Entrance Plate	X	X	X	X	X	X	X	X	X
53	135-200	Inner Furnace Air Baffle	X	X	X	X	X	X	X	X	X
54	553-376-*	Upper Door Assembly	X	X	X	X	X	X	X	X	X

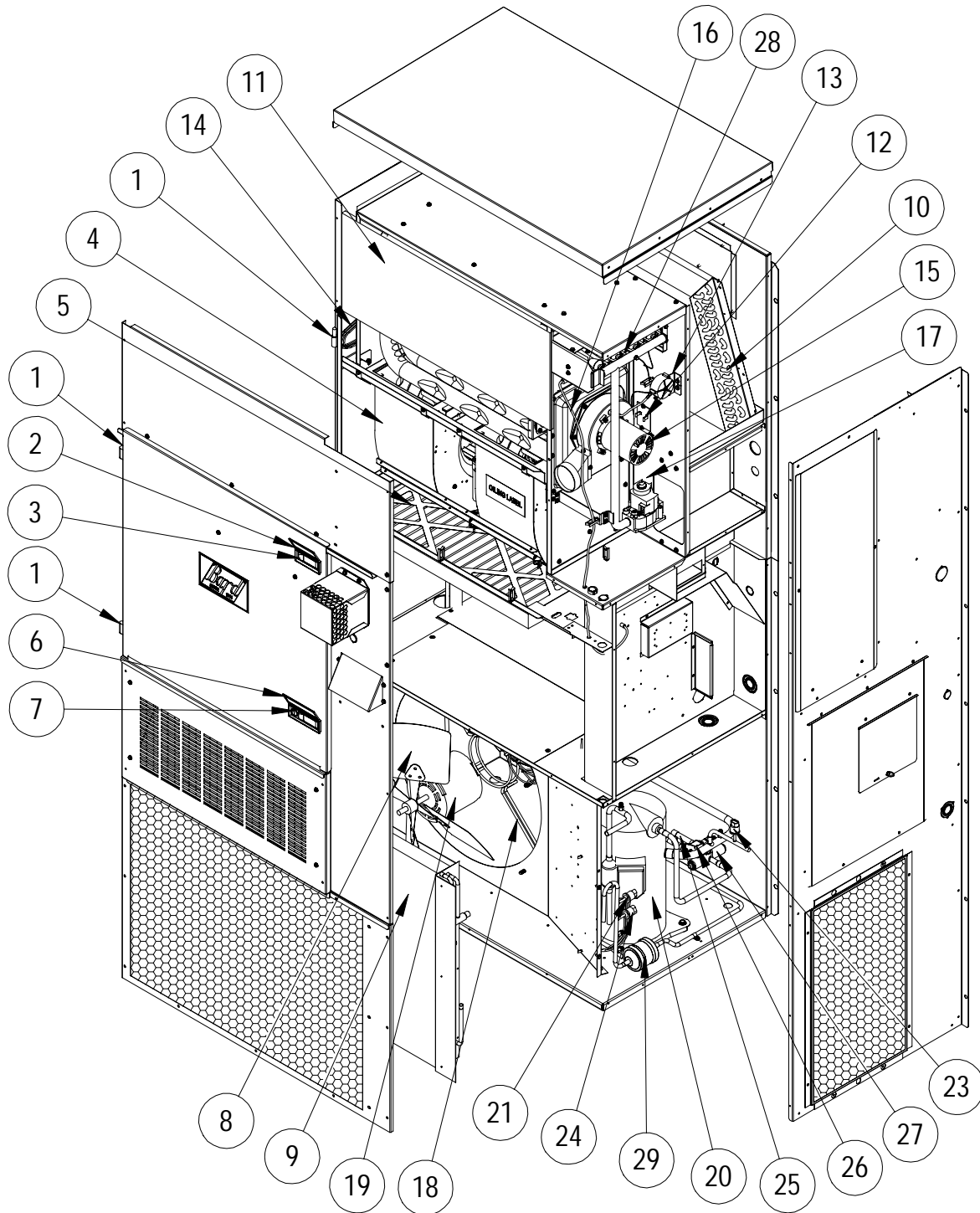
\* Exterior cabinet parts are manufactured with various paint color options. To ensure that you receive the proper paint color, you must include the complete model and serial number of the unit for which cabinet parts are being ordered.

**Refer to drawing on Page 2**



*This page intentionally left blank.*

# FUNCTIONAL COMPONENTS



SEXP-458

This drawing to be used for reference for Pages 11, 12 and 13.

# FUNCTIONAL COMPONENTS

Drawing No.	Part No.	Description	W24G1DAXA	W24G1DAXB	W24G1DAXC	W24G1DBXA	W24G1DBXB	W24G1DBXC	W24G1DCXA	W24G1DCXB	W24G1DCXC
1	5400-005	Metal Lift-Off Hinge	2	2	2	2	2	2	2	2	2
2	1171-050	Weather Cover for Latch 1171-048	X	X	X	X	X	X	X	X	X
3	1171-048	Black Non-Lockable Latch	X	X	X	X	X	X	X	X	X
4	S900-266	Complete Blower Assembly 230/208	X	X	X	X	X	X			
4	S900-275	Complete Blower Assembly 460V							X	X	X
5	7004-040	20 x 25 x 2 Pleated Filter (Standard)	X	X	X	X	X	X	X	X	X
5	7003-042	20 x 25 x 1 AF Filter (Optional)	X	X	X	X	X	X	X	X	X
6	1171-051	Weather Cover for Latch 1171-049	X	X	X	X	X	X	X	X	X
7	1171-049	Black Lockable Latch	X	X	X	X	X	X	X	X	X
8	5151-045	Fan Blade	X	X	X	X	X	X	X	X	X
9	5051-066BX	Standard Outdoor Coil	X	X	X	X	X	X	X	X	X
9	5054-066BX	Coated Outdoor Coil	(Optional Coil in place of Standard)								
10	5060-148BX	Standard Indoor Coil	X	X	X	X	X	X	X	X	X
10	5062-148BX	Coated Indoor Coil	(Optional Coil in place of Standard)								
11	Heat Exch.	See Burner Components Diagram	X	X	X	X	X	X	X	X	X
12	8402-133	Limit Control L140-30 3"	X			X			X		
12	8402-135	Limit Control L150-30 3"		X	X		X	X		X	X
13	8406-103	.55" ± .05" Pressure Switch	X	X	X	X	X	X	X	X	X
14	5651-205	Expansion Valve	X	X	X	X	X	X	X	X	X
15	8109-014	Induced Draft Blower 230V w/Transition	X	X	X	X	X	X			
15	8109-015	Induced Draft Blower 460V w/Transition							X	X	X
16	8600-011	Suppression Ignition Cable	X	X	X	X	X	X	X	X	X
17	3000-1121	Wire Assembly	X	X	X	X	X	X			
17	3000-1124	Wire Assembly							X	X	X
18	8200-001	Fan Motor Mount	X	X	X	X	X	X	X	X	X
19	8103-013	Motor 230/208V	X	X	X	X	X	X			
19	8103-020	Motor 460V							X	X	X
20	8000-314	Compressor ZP24K5E-PFV	X	X	X						
20	8000-315	Compressor ZP24K5E-TF5				X	X	X			
20	8000-316	Compressor ZP24K5E-TFD							X	X	X
21	1804-0385	High Pressure Switch (Flare)	X	X	X	X	X	X	X	X	X
23	1804-0386	Low Pressure Switch (Flare)	X	X	X	X	X	X	X	X	X
24	CMA-28	Low Ambient Control - Opt. - (Flare)	X	X	X	X	X	X	X	X	X
25	5651-146	Check Valve	X	X	X	X	X	X	X	X	X
26	5650-044	Molded Plug	X	X	X	X	X	X	X	X	X
27	5650-045	Three Way Valve with Solenoid	X	X	X	X	X	X	X	X	X
28	5051-120BX	Reheat Coil	X	X	X	X	X	X	X	X	X
28	5054-120BX	Coated Reheat Coil	(Optional Coil in place of Standard)								
29	5201-017	Filter Drier	X	X	X	X	X	X	X	X	X
NS	8408-038	Freeze Thermostat	X	X	X	X	X	X	X	X	X
NS	5650-046	Solenoid Coil 24V	X	X	X	X	X	X	X	X	X
NS	S400-0203	Orifice Parts Bag 2 Tube 45K	X			X			X		
NS	S400-0204	Orifice Parts Bag 3 Tube 67.5K		X			X			X	
NS	S400-0205	Orifice Parts Bag 4 Tube 90K			X			X			X

NS = Not Shown

Refer to drawing on Page 10

# FUNCTIONAL COMPONENTS

Drawing No.	Part No.	Description	W30G1DAXA	W30G1DAXB	W30G1DAXC	W30G1DBXA	W30G1DBXB	W30G1DBXC	W30G1DCXA	W30G1DCXB	W30G1DCXC
1	5400-005	Metal Lift-Off Hinge	2	2	2	2	2	2	2	2	2
2	1171-050	Weather Cover for Latch 1171-048	X	X	X	X	X	X	X	X	X
3	1171-048	Black Non-Lockable Latch	X	X	X	X	X	X	X	X	X
4	S900-267	Complete Blower Assembly 230/208	X	X	X	X	X	X			
4	S900-276	Complete Blower Assembly 460V							X	X	X
5	7004-040	20 x 25 x 2 Pleated Filter (Standard)	X	X	X	X	X	X	X	X	X
5	7003-042	20 x 25 x 1 AF Filter (Optional)	X	X	X	X	X	X	X	X	X
6	1171-051	Weather Cover for Latch 1171-049	X	X	X	X	X	X	X	X	X
7	1171-049	Black Lockable Latch	X	X	X	X	X	X	X	X	X
8	5151-045	Fan Blade	X	X	X	X	X	X	X	X	X
9	5051-066BX	Standard Outdoor Coil	X	X	X	X	X	X	X	X	X
9	5054-066BX	Coated Outdoor Coil	(Optional Coil in place of Standard)								
10	5060-149BX	Standard Indoor Coil	X	X	X	X	X	X	X	X	X
10	5062-149BX	Coated Indoor Coil	(Optional Coil in place of Standard)								
11	Heat Exch.	See Burner Components Diagram	X	X	X	X	X	X	X	X	X
12	8402-133	Limit Control L140-30 3"	X			X			X		
12	8402-135	Limit Control L150-30 3"		X	X		X	X		X	X
13	8406-103	.55" ± .05" Pressure Switch	X	X	X	X	X	X	X	X	X
14	5651-205	Expansion Valve	X	X	X	X	X	X	X	X	X
15	8109-014	Induced Draft Blower 230V w/Transition	X	X	X	X	X	X			
15	8109-015	Induced Draft Blower 460V w/Transition							X	X	X
16	8600-011	Suppression Ignition Cable	X	X	X	X	X	X	X	X	X
17	3000-1121	Wire Assembly	X	X	X	X	X	X			
17	3000-1124	Wire Assembly							X	X	X
18	8200-001	Fan Motor Mount	X	X	X	X	X	X	X	X	X
19	8103-013	Motor 230/208V	X	X	X	X	X	X			
19	8103-020	Motor 460V							X	X	X
20	8000-298	Compressor ZP29K5E-PFV	X	X	X						
20	8000-299	Compressor ZP29K5E-TF5				X	X	X			
20	8000-300	Compressor ZP29K5E-TFD							X	X	X
21	1804-0385	High Pressure Switch (Flare)	X	X	X	X	X	X	X	X	X
23	1804-0386	Low Pressure Switch (Flare)	X	X	X	X	X	X	X	X	X
24	CMA-28	Low Ambient Control - Opt. - (Flare)	X	X	X	X	X	X	X	X	X
25	5651-146	Check Valve	X	X	X	X	X	X	X	X	X
26	5650-044	Molded Plug	X	X	X	X	X	X	X	X	X
27	5650-045	Three Way Valve with Solenoid	X	X	X	X	X	X	X	X	X
28	5051-120BX	Reheat Coil	X	X	X	X	X	X	X	X	X
28	5054-120BX	Coated Reheat Coil	(Optional Coil in place of Standard)								
29	5201-017	Filter Drier	X	X	X	X	X	X	X	X	X
NS	8408-038	Freeze Thermostat	X	X	X	X	X	X	X	X	X
NS	5650-046	Solenoid Coil 24V	X	X	X	X	X	X	X	X	X
NS	S400-0203	Orifice Parts Bag 2 Tube 45K	X			X			X		
NS	S400-0204	Orifice Parts Bag 3 Tube 67.5K		X			X			X	
NS	S400-0205	Orifice Parts Bag 4 Tube 90K			X			X			X

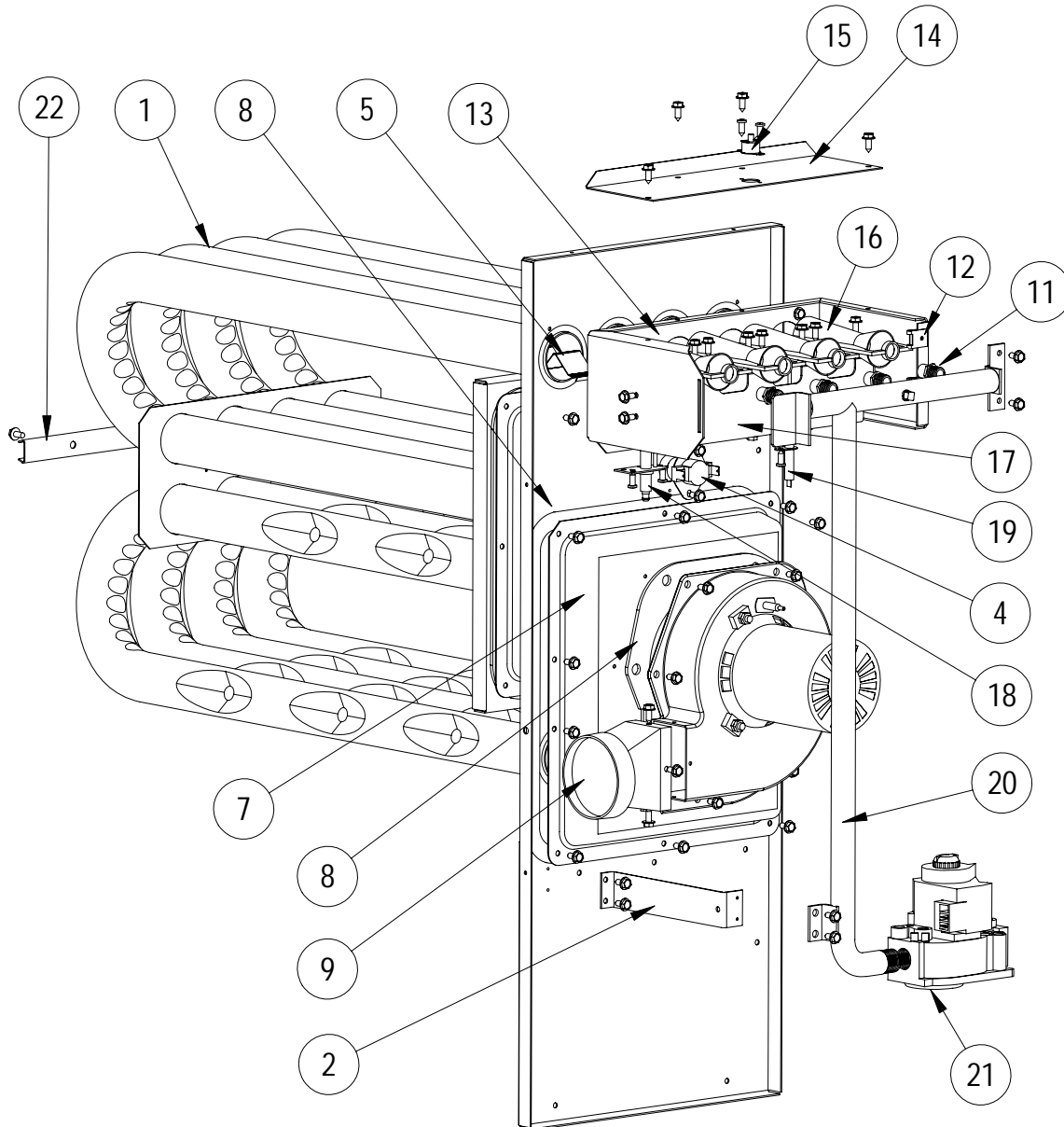
# FUNCTIONAL COMPONENTS

Drawing No.	Part No.	Description	W36G1DAXA	W36G1DAXB	W36G1DAXC	W36G1DBXA	W36G1DBXB	W36G1DBXC	W36G1DCXA	W36G1DCXB	W36G1DCXC
1	5400-005	Metal Lift-Off Hinge	2	2	2	2	2	2	2	2	2
2	1171-050	Weather Cover for Latch 1171-048	X	X	X	X	X	X	X	X	X
3	1171-048	Black Non-Lockable Latch	X	X	X	X	X	X	X	X	X
4	S900-267	Complete Blower Assembly 230/208	X	X	X	X	X	X			
4	S900-276	Complete Blower Assembly 460V							X	X	X
5	7004-040	20 x 25 x 2 Pleated Filter (Standard)	X	X	X	X	X	X	X	X	X
5	7003-042	20 x 25 x 1 AF Filter (Optional)	X	X	X	X	X	X	X	X	X
6	1171-051	Weather Cover for Latch 1171-049	X	X	X	X	X	X	X	X	X
7	1171-049	Black Lockable Latch	X	X	X	X	X	X	X	X	X
8	5151-045	Fan Blade	X	X	X	X	X	X	X	X	X
9	5051-066BX	Standard Outdoor Coil	X	X	X	X	X	X	X	X	X
9	5054-066BX	Coated Outdoor Coil	(Optional Coil in place of Standard)								
10	5060-149BX	Standard Indoor Coil	X	X	X	X	X	X	X	X	X
10	5062-149BX	Coated Indoor Coil	(Optional Coil in place of Standard)								
11	Heat Exch.	See Burner Components Diagram	X	X	X	X	X	X	X	X	X
12	8402-133	Limit Control L140-30 3"	X			X			X		
12	8402-135	Limit Control L150-30 3"		X	X		X	X		X	X
13	8406-103	.55" ± .05" Pressure Switch	X	X	X	X	X	X	X	X	X
14	5651-206	Expansion Valve	X	X	X	X	X	X	X	X	X
15	8109-014	Induced Draft Blower 230V w/Transition	X	X	X	X	X	X			
15	8109-015	Induced Draft Blower 460V w/Transition							X	X	X
16	8600-011	Suppression Ignition Cable	X	X	X	X	X	X	X	X	X
17	3000-1121	Wire Assembly	X	X	X	X	X	X			
17	3000-1124	Wire Assembly							X	X	X
18	8200-001	Fan Motor Mount	X	X	X	X	X	X	X	X	X
19	8103-013	Motor 230/208V	X	X	X	X	X	X			
19	8103-020	Motor 460V							X	X	X
20	8000-309	Compressor ZP34K5E-PFV	X	X	X						
20	8000-310	Compressor ZP34K5E-TF5				X	X	X			
20	8000-311	Compressor ZP34K5E-TFD							X	X	X
21	1804-0385	High Pressure Switch (Flare)	X	X	X	X	X	X	X	X	X
23	1804-0386	Low Pressure Switch (Flare)	X	X	X	X	X	X	X	X	X
24	CMA-28	Low Ambient Control - Opt. - (Flare)	X	X	X	X	X	X	X	X	X
25	5651-146	Check Valve	X	X	X	X	X	X	X	X	X
26	5650-044	Molded Plug	X	X	X	X	X	X	X	X	X
27	5650-045	Three Way Valve with Solenoid	X	X	X	X	X	X	X	X	X
28	5051-120BX	Reheat Coil	X	X	X	X	X	X	X	X	X
28	5054-120BX	Coated Reheat Coil	(Optional Coil in place of Standard)								
29	5201-017	Filter Drier	X	X	X	X	X	X	X	X	X
NS	8408-038	Freeze Thermostat	X	X	X	X	X	X	X	X	X
NS	5650-046	Solenoid Coil 24V	X	X	X	X	X	X	X	X	X
NS	S400-0203	Orifice Parts Bag 2 Tube 45K	X			X			X		
NS	S400-0204	Orifice Parts Bag 3 Tube 67.5K		X			X			X	
NS	S400-0205	Orifice Parts Bag 4 Tube 90K			X			X			X

NS = Not Shown

Refer to drawing on Page 10

# BURNER COMPONENTS



SEXP-387

This drawing to be used for reference for Pages 15, 16 and 17.

# BURNER COMPONENTS

Drawing No.	Part No.	Description	W24G1D*XA	W24G1D*NA	W24G1D*XB	W24G1D*NB	W24G1D*XC	W24G1D*NC
1	S171-254	Heat Exchanger Assembly (2 Burner)	X	X				
1	S171-256	Heat Exchanger Assembly (3 Burner)			X	X		
1	S171-258	Heat Exchanger Assembly (4 Burner)					X	X
2	113-268	Manifold Bracket	X	X	X	X	X	X
4	8402-134	Limit Control L265-30	X	X				
4	8402-116	Limit Control L300-30			X	X	X	X
5	9010-083	NOx Screen		2		3		4
7	168-142	Collector Box	X	X				
7	168-143	Collector Box			X	X		
7	168-144	Collector Box					X	X
8	1921-043	Gasket Set	X	X	X	X	X	X
9	5809-013	3" Cast Inducer Transition	X	X	X	X	X	X
11	9010-082	Orifice 2.30mm (.0885 diameter)	2	2	3	3	4	4
11	9010-087	Orifice 2.20mm (10% derate)	2	2	3	3	4	4
12	1012-314	U Clip Fastener	2	2	2	2	2	2
13	163-047	Burner Box	X	X				
13	163-042	Burner Box			X	X		
13	163-044	Burner Box					X	X
14	141-268	Flame Rollout Support	X	X	X	X		
14	141-269	Flame Rollout Support					X	X
15	8402-124	Flame Rollout Switch L270	X	X	X	X	X	X
16	9010-078	In-Shot Burner 2.5 x 4.5	2	2	3	3	4	4
17	163-048	Burner Support	X	X				
17	163-041	Burner Support			X	X		
17	163-043	Burner Support					X	X
18	8554-024	DSI Spark Igniter	X	X	X	X	X	X
19	8554-025	Flame Sensor	X	X	X	X	X	X
20	5818-053	2-Hole Gas Manifold - 1/2"	X	X				
20	5818-054	3-Hole Gas Manifold - 1/2"			X	X		
20	5818-055	4-Hole Gas Manifold - 1/2"					X	X
21	5651-160	Natural Gas Valve 1/2 x 1/2	X	X	X	X	X	X
22	168-140	Tube Brace 2 Burner	X	X				
22	168-135	Tube Brace 3 Burner			X	X		
22	168-134	Tube Brace 4 Burner					X	X

Refer to drawing on Page 14

# BURNER COMPONENTS

Drawing No.	Part No.	Description	W30G1D*XA	W30G1D*NA	W30G1D*XB	W30G1D*NB	W30G1D*XC	W30G1D*NC
1	S171-254	Heat Exchanger Assembly (2 Burner)	X	X				
1	S171-256	Heat Exchanger Assembly (3 Burner)			X	X		
1	S171-258	Heat Exchanger Assembly (4 Burner)					X	X
2	113-268	Manifold Bracket	X	X	X	X	X	X
4	8402-134	Limit Control L265-30	X	X				
4	8402-116	Limit Control L300-30			X	X	X	X
5	9010-083	NOx Screen		2		3		4
7	168-142	Collector Box	X	X				
7	168-143	Collector Box			X	X		
7	168-144	Collector Box					X	X
8	1921-043	Gasket Set	X	X	X	X	X	X
9	5809-013	3" Cast Inducer Transition	X	X	X	X	X	X
11	9010-082	Orifice 2.30mm (.0885 diameter)	2	2	3	3	4	4
11	9010-087	Orifice 2.20mm (10% derate)	2	2	3	3	4	4
12	1012-314	U Clip Fastener	2	2	2	2	2	2
13	163-047	Burner Box	X	X				
13	163-042	Burner Box			X	X		
13	163-044	Burner Box					X	X
14	141-268	Flame Rollout Support	X	X	X	X		
14	141-269	Flame Rollout Support					X	X
15	8402-124	Flame Rollout Switch L270	X	X	X	X	X	X
16	9010-078	In-Shot Burner 2.5 x 4.5	2	2	3	3	4	4
17	163-048	Burner Support	X	X				
17	163-041	Burner Support			X	X		
17	163-043	Burner Support					X	X
18	8554-024	DSI Spark Igniter	X	X	X	X	X	X
19	8554-025	Flame Sensor	X	X	X	X	X	X
20	5818-053	2-Hole Gas Manifold - 1/2"	X	X				
20	5818-054	3-Hole Gas Manifold - 1/2"			X	X		
20	5818-055	4-Hole Gas Manifold - 1/2"					X	X
21	5651-160	Natural Gas Valve 1/2 x 1/2	X	X	X	X	X	X
22	168-140	Tube Brace 2 Burner	X	X				
22	168-135	Tube Brace 3 Burner			X	X		
22	168-134	Tube Brace 4 Burner					X	X

Refer to drawing on Page 14

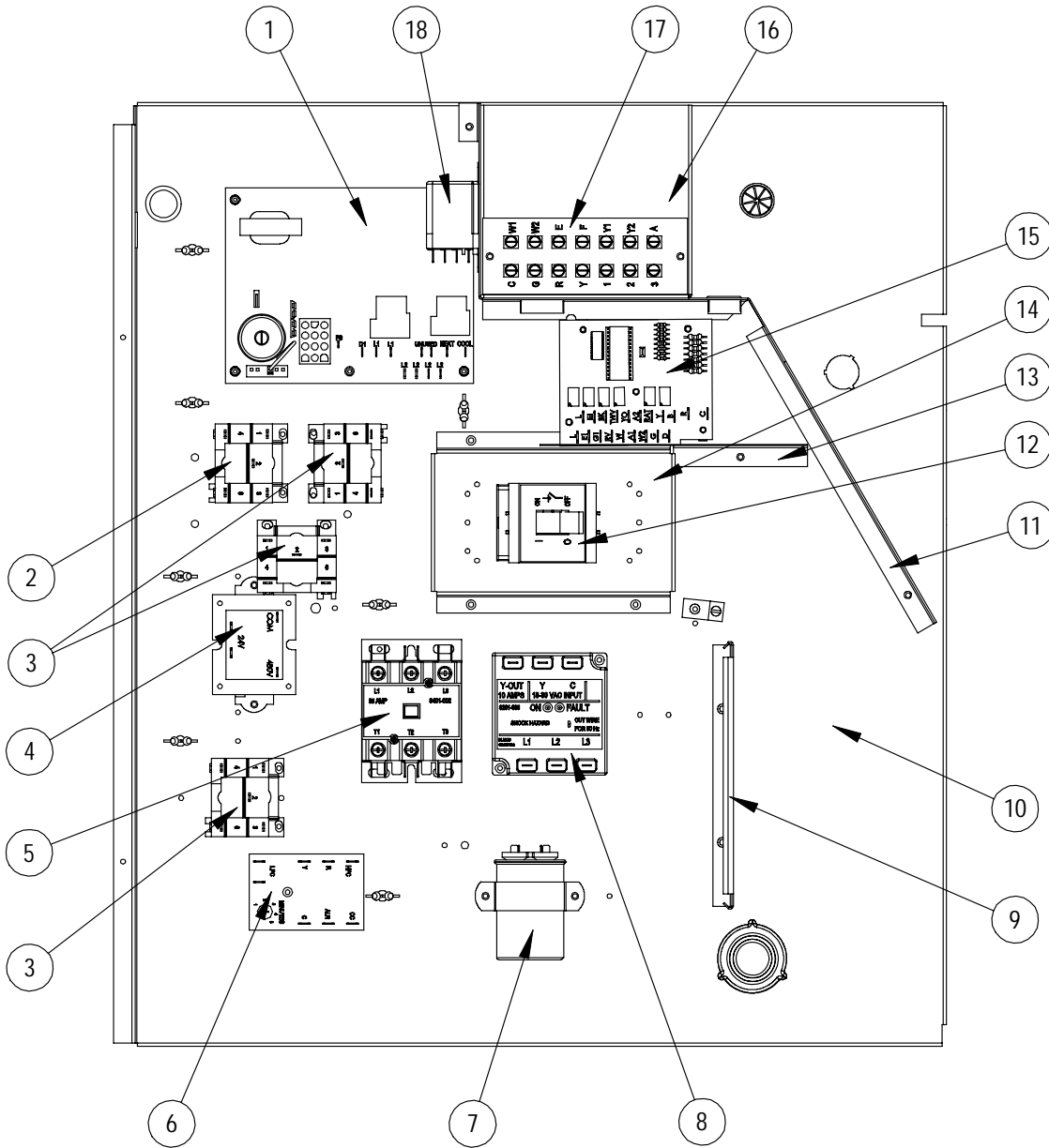


# BURNER COMPONENTS

Drawing No.	Part No.	Description	W36G1D*XA	W36G1D*NA	W36G1D*XB	W36G1D*NB	W36G1D*XC	W36G1D*NC
1	S171-254	Heat Exchanger Assembly (2 Burner)	X	X				
1	S171-256	Heat Exchanger Assembly (3 Burner)			X	X		
1	S171-258	Heat Exchanger Assembly (4 Burner)					X	X
2	113-268	Manifold Bracket	X	X	X	X	X	X
4	8402-134	Limit Control L265-30	X	X				
4	8402-116	Limit Control L300-30			X	X	X	X
5	9010-083	NOx Screen		2		3		4
7	168-142	Collector Box	X	X				
7	168-143	Collector Box			X	X		
7	168-144	Collector Box					X	X
8	1921-043	Gasket Set	X	X	X	X	X	X
9	5809-013	3" Cast Inducer Transition	X	X	X	X	X	X
11	9010-082	Orifice 2.30mm (.0885 diameter)	2	2	3	3	4	4
11	9010-087	Orifice 2.20mm (10% derate)	2	2	3	3	4	4
12	1012-314	U Clip Fastener	2	2	2	2	2	2
13	163-047	Burner Box	X	X				
13	163-042	Burner Box			X	X		
13	163-044	Burner Box					X	X
14	141-268	Flame Rollout Support	X	X	X	X		
14	141-269	Flame Rollout Support					X	X
15	8402-124	Flame Rollout Switch L270	X	X	X	X	X	X
16	9010-078	In-Shot Burner 2.5 x 4.5	2	2	3	3	4	4
17	163-048	Burner Support	X	X				
17	163-041	Burner Support			X	X		
17	163-043	Burner Support					X	X
18	8554-024	DSI Spark Igniter	X	X	X	X	X	X
19	8554-025	Flame Sensor	X	X	X	X	X	X
20	5818-053	2-Hole Gas Manifold - 1/2"	X	X				
20	5818-054	3-Hole Gas Manifold - 1/2"			X	X		
20	5818-055	4-Hole Gas Manifold - 1/2"					X	X
21	5651-160	Natural Gas Valve 1/2 x 1/2	X	X	X	X	X	X
22	168-140	Tube Brace 2 Burner	X	X				
22	168-135	Tube Brace 3 Burner			X	X		
22	168-134	Tube Brace 4 Burner					X	X

Refer to drawing on Page 14

# CONTROL PANEL



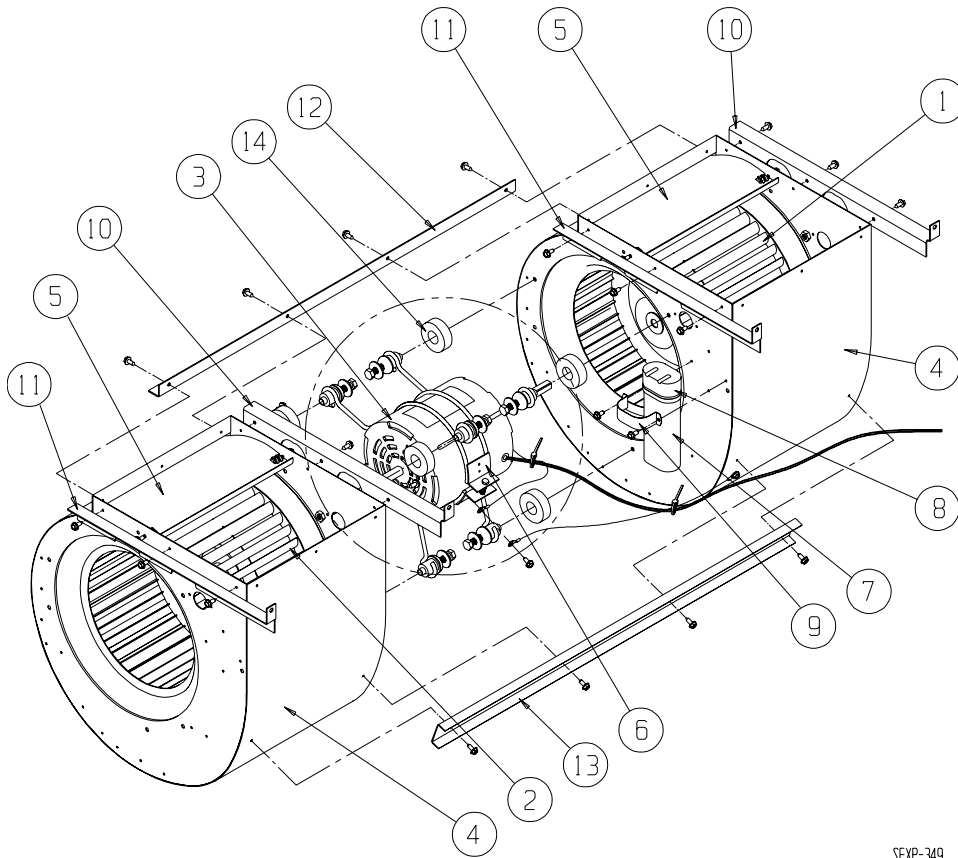
SEXP-567

# CONTROL PANEL

Dwg. No.	Part No.	Description	W24G1DA	W24G1DB	W24G1DC	W30G1DA	W30G1DB	W30G1DC	W36G1DA	W36G1DB	W36G1DC
1	5651-159	Integrated Furnace Control	X	X	X	X	X	X	X	X	X
2	8201-086	460 Volt Relay DPDT			X			X			X
3	8201-032	460 Volt Relay SPDT			3			3			3
4	8407-035	Transformer 50 VA 208/240 - 24V	X	X		X	X		X	X	
4	8407-042	Transformer 50 VA 480 - 24V			X			X			X
5	8401-006	Contactor 2-Pole 20 Amp	X	X		X	X		X	X	
5	8401-002	Contactor 3-Pole 25 Amp			X			X			X
6	8201-088	Compressor Control Module	X	X	X	X	X	X	X	X	X
7	8552-002	Capacitor 5MFD 370 V 1-1/4" Oval		X	X		X	X		X	X
7	8552-050	Capacitor 40+5MFD 370 V 2-1/2" Round	X						X		
7	8552-052	Capacitor 45+5MFD 370 V 2-1/2" Round				X					
8	8201-085	Phase Monitor		X	X		X	X		X	X
9	135-130	Wire Shield	X	X	X	X	X	X	X	X	X
10	517-276	Control Panel Assembly	X	X	X	X	X	X	X	X	X
11	117-248	Low Voltage Partition	X	X	X	X	X	X	X	X	X
12	8615-057	Circuit Breaker 30A, 2 Pole	X								
12	8615-051	Circuit Breaker 25A, 3 Pole		X			X				
12	8615-067	460V 40A Toggle Disconnect			X			X			X
12	8615-069	Switch Cover Plate			X			X			X
12	8615-038	Circuit Breaker 35A, 2 Pole				X					
12	8615-055	Circuit Breaker 40A, 2 Pole							X		
12	8615-042	Circuit Breaker 35A, 3 Pole								X	
13	135-266	High Voltage Barrier			X			X			X
14	113-269	Circuit Breaker Mounting Base	X	X		X	X		X	X	
14	113-393	Toggle Disconnect Base			X			X			X
15	8201-113	Dehumidification Logic Control Board	X	X	X	X	X	X	X	X	X
16	117-247	Low Voltage Box	X	X	X	X	X	X	X	X	X
17	8607-024	Low Voltage Terminal Strip	X	X	X	X	X	X	X	X	X
18	8201-048	Relay DPDT	X	X	X	X	X	X	X	X	X
NS	4085A149	Wiring Diagram	X								
NS	4085A249	Wiring Diagram		X							
NS	4085A371	Wiring Diagram			X						
NS	4085A151	Wiring Diagram				X			X		
NS	4085A251	Wiring Diagram					X			X	
NS	4085A373	Wiring Diagram						X			X

NS – Not Shown

# BLOWER ASSEMBLY



SEXP-349

Drawing No.	Part No.	Description	S900-266	S900-267	S900-275	S900-276
1	5152-096	Blower Wheel 10-6	X	X	X	X
2	5152-072	Blower Wheel 10-6	X	X	X	X
3	8105-049	Motor 230/208 V		X		
3	8620-208	Motor 460V				X
3	8104-017	Motor 230/208 V	X			
3	8620-207	Motor 460V			X	
4	151-117	Blower Housing	2	2	2	2
5	144-167	Diffuser	2	2	2	2
6	8200-040	Motor Mount	X	X	X	X
7	8552-004	Capacitor 7.5 MFD 370V	X	X	X	X
8	8611-002	Capacitor Boot	X	X	X	X
9	8550-003	Capacitor Bracket	X	X	X	X
10	105X1075	Angle – Right	2	2	2	2
11	105Y1075	Angle – Left	2	2	2	2
12	105-1109	Angle – Back	X	X	X	X
13	165-572	Channel – Front	X	X	X	X
14	5451-011	Grommets	3	3	3	3