
REPLACEMENT PARTS MANUAL

WALL MOUNTED GAS/ELECTRIC

Models:

W24G3-A	W30G3-A	W36G3-A
W24G3-B	W30G3-B	W36G3-B
W24G3-C	W30G3-C	W36G3-C

Contents

<i>Description</i>	<i>Page</i>
Cabinet Components	
♦ Exploded View	2
♦ Usage List	3
♦ Usage List	4
Functional Components	
♦ Exploded View	6
♦ Usage List	7
♦ Usage List	8
♦ Usage List	9
Burner Components	
♦ Exploded View	10
♦ Usage List	11
♦ Usage List	12
♦ Usage List	13
Control Panel	
♦ Exploded View	14
♦ Usage List	15
Blower Assembly	
♦ Exploded View	16
♦ Usage List	16

General Notes

- Revised and/or additional pages may be issued from time to time.
- A complete and current manual consists of pages shown in the following contents section.

Important

- Contact the installing and/or local Bard distributor for all parts requirements. Make sure you have the complete model and serial number available from the unit rating plates.

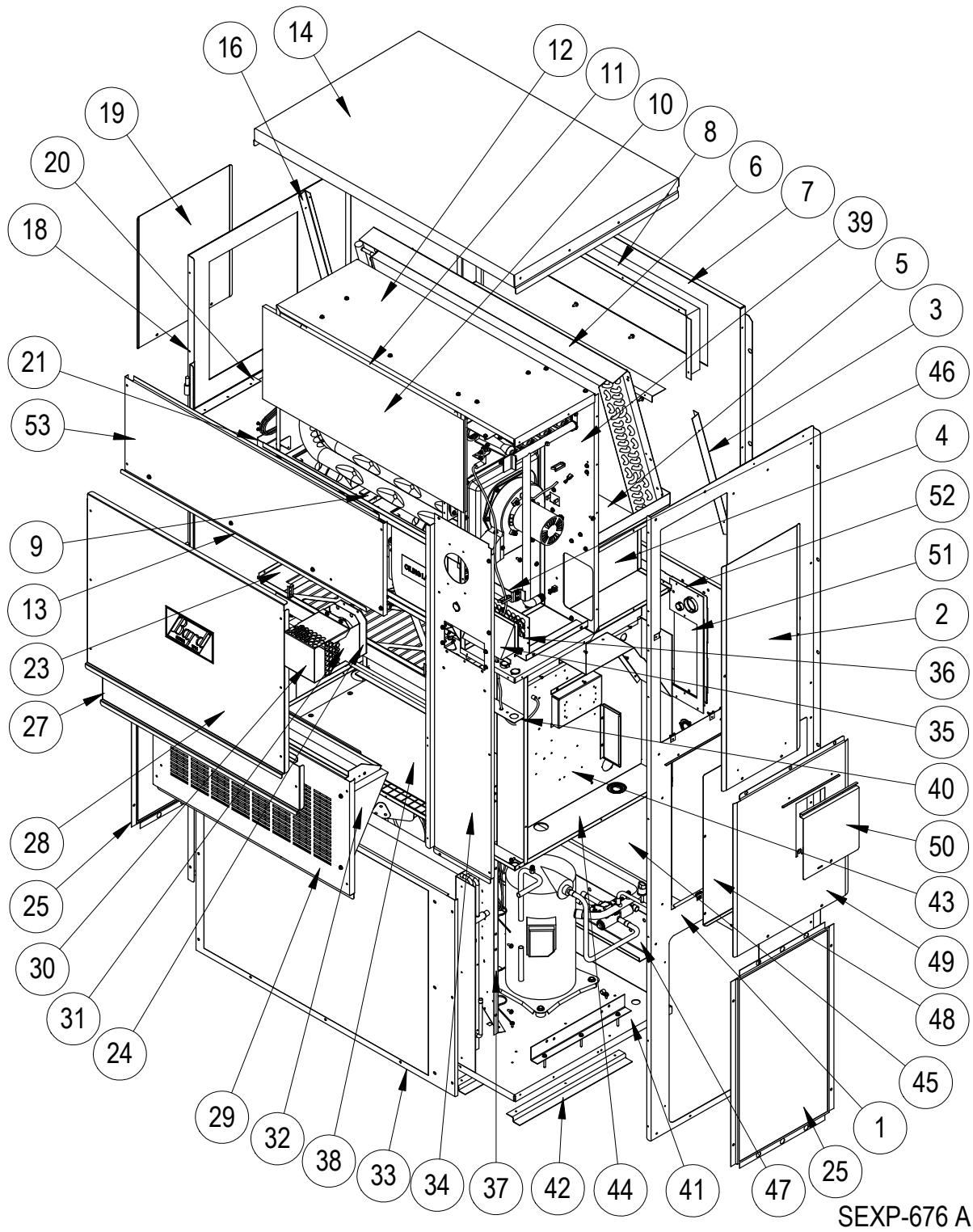


Climate Control Solutions

Bard Manufacturing Company, Inc.
Bryan, Ohio 43506
www.bardhvac.com

Manual: 2110-817A
Supersedes: 2110-817
Date: 5-2-17

CABINET COMPONENTS



This drawing to be used as reference for pages 3 and 4

CABINET COMPONENTS

Drawing No.	Part No.	Description	All Models
1	501-568-*	Right Side Assembly	X
2	S153-347-*	Vestibule Service Door	X
3	105X1073	Right Evaporator Support Angle	X
4	541-285	Right Drain Pan Support Assembly	X
5	S523-124	Drain Pan Assembly	X
6	105-1115	Evaporator Coil Fill Angle	X
7	509-166	Upper Back	X
8	111-091	Supply Air Frame	2
9	103-452	Heat Exchanger Support Offset	X
10	Heat Exch Assy	See Burner Components Diagram	
11	105-1113	Top Heat Exchanger Deflector	X
12	135-217	Inner Air Baffle	X
13	165-573-*	Top Rain Channel	X
14	507-242-*	Top Assembly	X
16	105Y1073	Left Evaporator Support Angle	X
17	542-082	Rear Block Off Plate Assembly	X
18	501-748-*	Left Side Assembly	X
19	543-070-*	Left Access Cover	X
20	105-1108	Left Support Angle	X
21	S121-353	Blower Partition	X
23	131-341	Filter Tray	X
24	1921-051	Vent Terminal Gasket	X
25	118-083-*	Side Grille	2
<i>Continued on page 4</i>			

* Exterior cabinet parts are manufactured with various paint color options. To ensure the proper paint color is received, include the complete model number and serial number of the unit for which parts are being ordered.

Refer to drawing on page 2

CABINET COMPONENTS

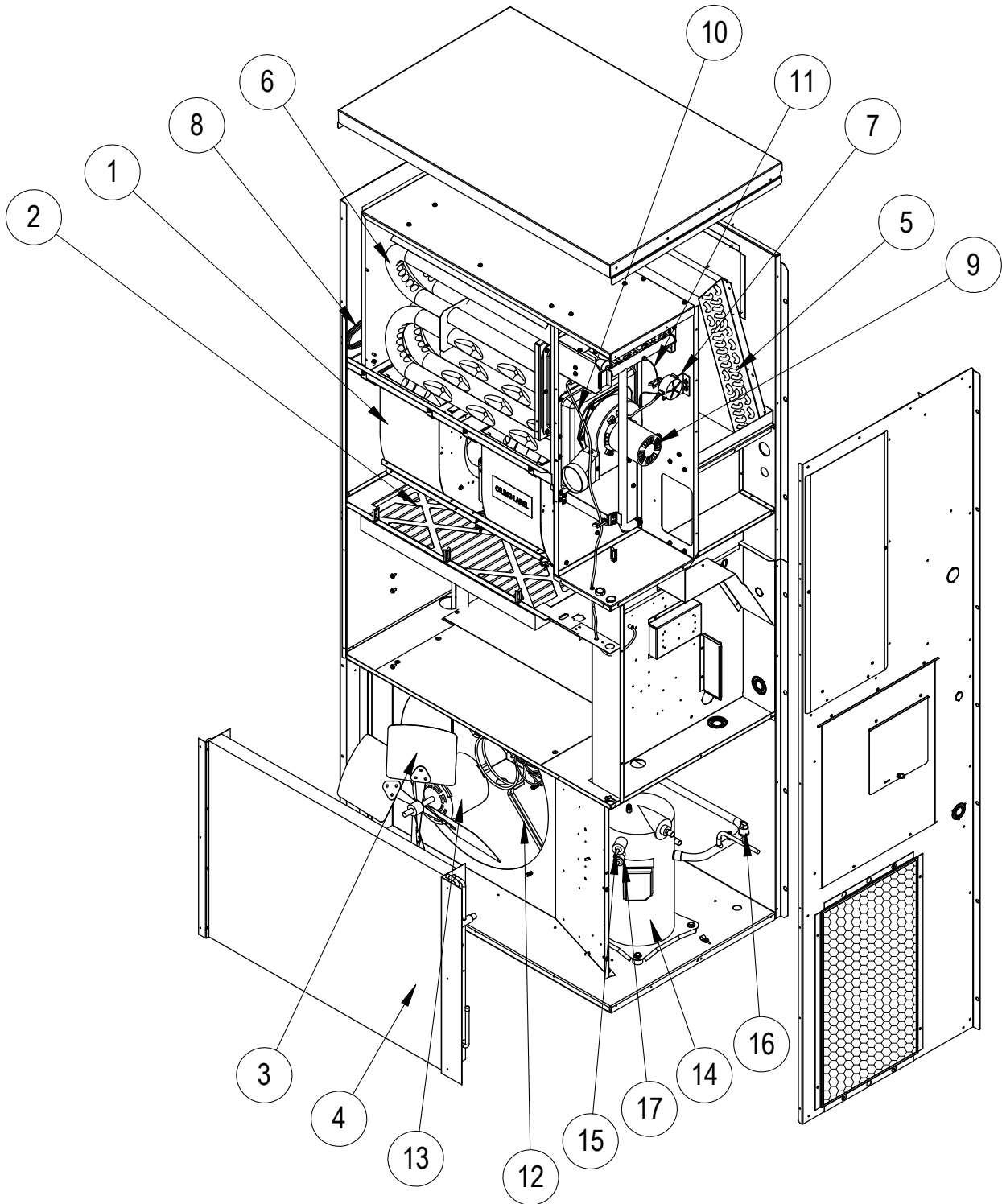
Drawing No.	Part No.	Description	All Models
<i>Continued from page 3</i>			
27	553-560-*	Filter Access Panel Assembly	X
28	S553-559-*	Front Door Assembly	X
29	553-346-*	Vent Option Door Assembly	X
30	169-119	Outer Vent Hood	X
31	169-120	Inner Vent Hood	X
32	WGBFAD-3	Barometric Fresh Air Damper	X
33	118-059-*	Condenser Grille	X
34	549-131-*	Right Front Corner Assembly	X
35	S135-181-*	Air Intake Hood	X
36	S134-182-*	Air Intake Back	X
37	125-022	Fan Shroud	X
38	542-138	Condensor Partition Blank Off Plate	X
39	541-402	Heat Exchanger Support Assembly	X
40	142-080	Filter Blank Off Plate	X
41	127-404	Lower Base	X
42	103-449	Lower Base Offset	3
43	517-276	Control Panel Assembly	X
44	521-441	Condenser Partition Assembly	X
45	509-167	Lower Back Assembly	X
46	113-268	Manifold Bracket	X
47	113-140	Bottom Support Bracket	X
48	S133-163	Circuit Breaker Inner Door	X
49	S533-162-*	Control Panel Cover Assembly	X
50	S153-328-*	Disconnect Access Door	X
51	134-199	Conduit Access Panel	X
52	156-030	Conduit Entrance Plate	X
53	135-200	Inner Furnace Air Baffle	X
54	553-376-*	Upper Door Assembly	X

* Exterior cabinet parts are manufactured with various paint color options. To ensure the proper paint color is received, include the complete model number and serial number of the unit for which parts are being ordered.

Refer to drawing on page 2

This page intentionally left blank

FUNCTIONAL COMPONENTS



SEXP-677

This drawing to be used for reference for pages 7, 8 and 9

FUNCTIONAL COMPONENTS

Drawing No.	Part No.	Description	W24G3-AXA	W24G3-AXB	W24G3-AXC	W24G3-BXA	W24G3-BXB	W24G3-BXC	W24G3-CXA	W24G3-CXB	W24G3-CXC
1	S900-266	Complete Blower Assembly 230/208	X	X	X	X	X	X			
1	S900-275	Complete Blower Assembly 460V							X	X	X
2	7004-040	20 x 25 x 2 Pleated Filter (Standard)	X	X	X	X	X	X	X	X	X
2	7003-042	20 x 25 x 1 AF Filter (Optional)	X	X	X	X	X	X	X	X	X
3	5151-045	Fan Blade	X	X	X	X	X	X	X	X	X
4	5051-066BX	Coil	X	X	X	X	X	X	X	X	X
5	5060-148BX	Coil	X	X	X	X	X	X	X	X	X
6	Heat Exch.	See Burner Components Diagram	X	X	X	X	X	X	X	X	X
7	8406-103	.55" + .05" Pressure Switch	X	X	X	X	X	X	X	X	X
8	S800-0400	Distributor/Orifice	X	X	X	X	X	X	X	X	X
9	8109-014	Induced Draft Blower 230V w/Transition	X	X	X	X	X	X			
9	8109-015	Induced Draft Blower 460V w/Transition							X	X	X
10	8600-011	Suppression Ignition Cable	X	X	X	X	X	X	X	X	X
11	3000-1121	Wire Assembly	X	X	X	X	X	X			
11	3000-1124	Wire Assembly							X	X	X
12	8200-001	Fan Motor Mount	X	X	X	X	X	X	X	X	X
13	8103-013	Motor 230/208V	X	X	X	X	X	X			
13	8103-020	Motor 460V							X	X	X
14	8000-314	Compressor ZP24K5E-PFV-130	X	X	X						
14	8000-315	Compressor ZP24K5E-TF5-130				X	X	X			
14	8000-316	Compressor ZP24K5E-TFD-130							X	X	X
15	1804-0462	High Pressure Switch (Flare)	X	X	X	X	X	X	X	X	X
16	1804-0386	Low Pressure Switch (Flare)	X	X	X	X	X	X	X	X	X
17	8406-105	Low Ambient Control - Opt. - (Flare)	X	X	X	X	X	X	X	X	X
NS	8408-048	Freeze Stat (Part of LAC Kit)	X	X	X	X	X	X	X	X	X
NS	CMA-29	Complete Low Ambient Kit	X	X	X	X	X	X	X	X	X
NS	S400-0203	Orifice Parts Bag 2 Tube 45K	X			X			X		
NS	S400-0204	Orifice Parts Bag 3 Tube 67.5K		X			X			X	
NS	S400-0205	Orifice Parts Bag 4 Tube 90K			X			X			X
NS	6031-009	Coremax Valve Core	X	X	X	X	X	X	X	X	X

NS - Not Shown
Opt. = Optional

Refer to drawing on page 6

FUNCTIONAL COMPONENTS

Drawing No.	Part No.	Description	W30G3-AXA	W30G3-AXB	W30G3-AXC	W30G3-BXA	W30G3-BXB	W30G3-BXC	W30G3-CXA	W30G3-CXB	W30G3-CXC
1	S900-267	Complete Blower Assembly 230/208	X	X	X	X	X	X			
1	S900-276	Complete Blower Assembly 460V							X	X	X
2	7004-040	20 x 25 x 2 Pleated Filter (Standard)	X	X	X	X	X	X	X	X	X
2	7003-042	20 x 25 x 1 AF Filter (Optional)	X	X	X	X	X	X	X	X	X
3	5151-045	Fan Blade	X	X	X	X	X	X	X	X	X
4	5051-066BX	Coil	X	X	X	X	X	X	X	X	X
5	5060-149BX	Coil	X	X	X	X	X	X	X	X	X
6	Heat Exch.	See Burner Components Diagram	X	X	X	X	X	X	X	X	X
7	8406-103	.55" + .05" Pressure Switch	X	X	X	X	X	X	X	X	X
8	S800-0401	Distributor/Orifice	X	X	X	X	X	X	X	X	X
9	8109-014	Induced Draft Blower 230V w/Transition	X	X	X	X	X				
9	8109-015	Induced Draft Blower 460V w/Transition							X	X	X
10	8600-011	Suppression Ignition Cable	X	X	X	X	X	X	X	X	X
11	3000-1121	Wire Assembly	X	X	X	X	X	X			
11	3000-1124	Wire Assembly							X	X	X
12	8200-001	Fan Motor Mount	X	X	X	X	X	X	X	X	X
13	8103-013	Motor 230/208V	X	X	X	X	X	X			
13	8103-020	Motor 460V							X	X	X
14	8000-298	Compressor ZP29K5E-PFV-130	X	X	X						
14	8000-299	Compressor ZP29K5E-TF5-130				X	X	X			
14	8000-300	Compressor ZP29K5E-TFD-130							X	X	X
15	1804-0462	High Pressure Switch (Flare)	X	X	X	X	X	X	X	X	X
16	1804-0386	Low Pressure Switch (Flare)	X	X	X	X	X	X	X	X	X
17	8406-105	Low Ambient Control - Opt. - (Flare)	X	X	X	X	X	X	X	X	X
NS	8408-048	Freeze Stat (Part of LAC Kit)	X	X	X	X	X	X	X	X	X
NS	CMA-29	Complete Low Ambient Kit	X	X	X	X	X	X	X	X	X
NS	S400-0203	Orifice Parts Bag 2 Tube 45K	X			X			X		
NS	S400-0204	Orifice Parts Bag 3 Tube 67.5K		X			X			X	
NS	S400-0205	Orifice Parts Bag 4 Tube 90K			X			X			X
NS	6031-009	Coremax Valve Core	X	X	X	X	X	X	X	X	X

NS - Not Shown
Opt. = Optional

Refer to drawing on page 6

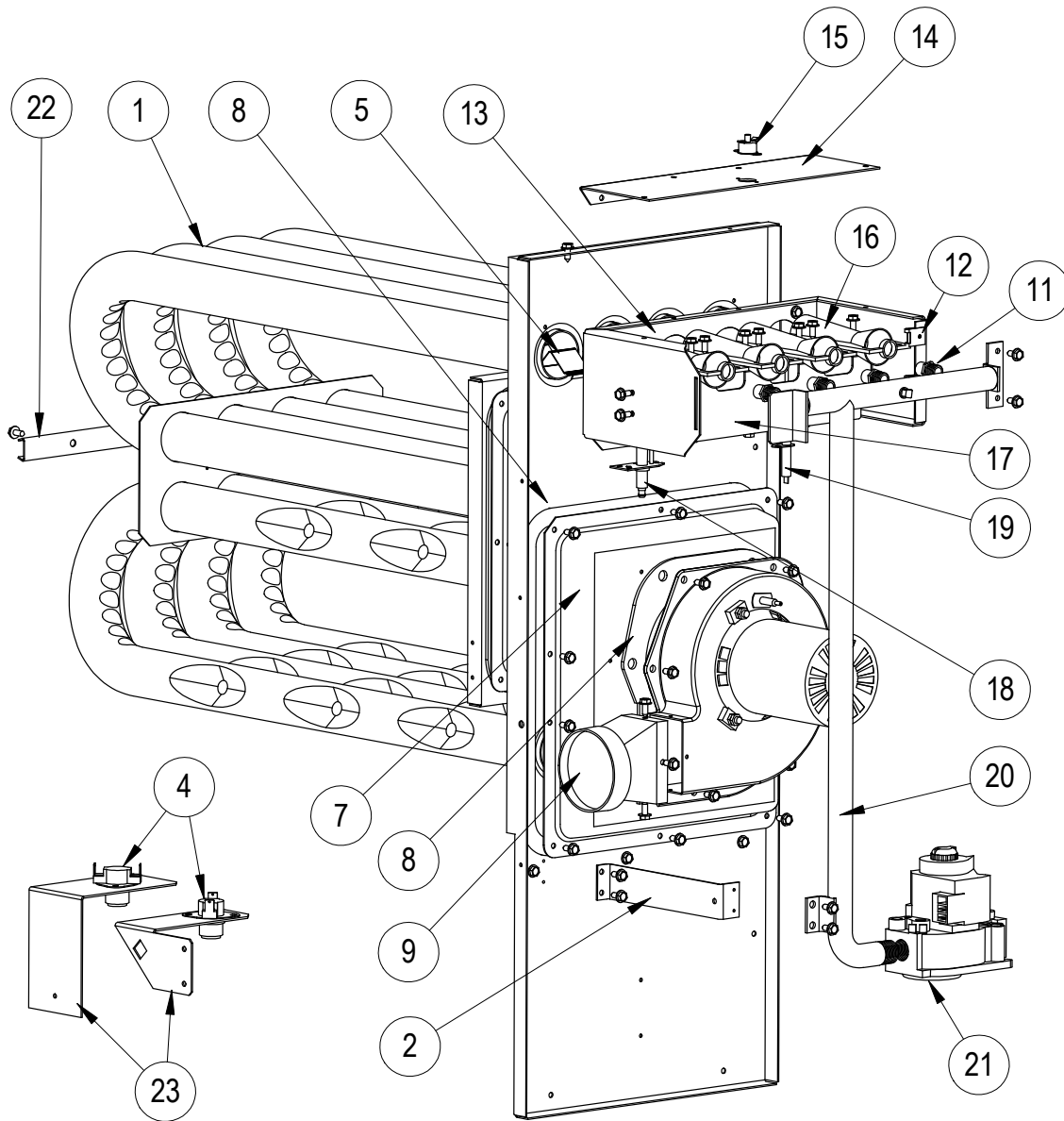
FUNCTIONAL COMPONENTS

Drawing No.	Part No.	Description	W36G3-AXA	W36G3-AXB	W36G3-AXC	W36G3-BXA	W36G3-BXB	W36G3-BXC	W36G3-CXA	W36G3-CXB	W36G3-CXC
1	S900-267	Complete Blower Assembly 230/208	X	X	X	X	X	X			
1	S900-276	Complete Blower Assembly 460V							X	X	X
2	7004-040	20 x 25 x 2 Pleated Filter (Standard)	X	X	X	X	X	X	X	X	X
2	7003-042	20 x 25 x 1 AF Filter (Optional)	X	X	X	X	X	X	X	X	X
3	5151-045	Fan Blade	X	X	X	X	X	X	X	X	X
4	5051-196BX	Coil	X	X	X	X	X	X	X	X	X
5	5060-149BX	Coil	X	X	X	X	X	X	X	X	X
6	Heat Exch.	See Burner Components Diagram	X	X	X	X	X	X	X	X	X
7	8406-103	.55" + .05" Pressure Switch	X	X	X	X	X	X	X	X	X
8	S800-0402	Distributor/Orifice	X	X	X	X	X	X	X	X	X
9	8109-014	Induced Draft Blower 230V w/Transition	X	X	X	X	X				
9	8109-015	Induced Draft Blower 460V w/Transition							X	X	X
10	8600-011	Suppression Ignition Cable	X	X	X	X	X	X	X	X	X
11	3000-1121	Wire Assembly	X	X	X	X	X				
11	3000-1124	Wire Assembly							X	X	X
12	8200-001	Fan Motor Mount	X	X	X	X	X	X	X	X	X
13	8103-013	Motor 230/208V	X	X	X	X	X				
13	8103-020	Motor 460V							X	X	X
14	8000-278	Compressor ZP31K5E-PFV-130	X	X	X						
14	8000-283	Compressor ZP31K5E-TF5-130				X	X	X			
14	8000-342	Compressor ZP31K5E-TFD-130							X	X	X
15	1804-0462	High Pressure Switch (Flare)	X	X	X	X	X	X	X	X	X
16	1804-0386	Low Pressure Switch (Flare)	X	X	X	X	X	X	X	X	X
17	8406-105	Low Ambient Control - Opt. - (Flare)	X	X	X	X	X	X	X	X	X
NS	8408-048	Freeze Stat (Part of LAC Kit)	X	X	X	X	X	X	X	X	X
NS	CMA-29	Complete Low Ambient Kit	X	X	X	X	X	X	X	X	X
NS	S400-0203	Orifice Parts Bag 2 Tube 45K	X			X			X		
NS	S400-0204	Orifice Parts Bag 3 Tube 67.5K		X			X			X	
NS	S400-0205	Orifice Parts Bag 4 Tube 90K			X			X			X
NS	6031-009	Coremax Valve Core	X	X	X	X	X	X	X	X	X

NS - Not Shown
Opt. = Optional

Refer to drawing on page 6

BURNER COMPONENTS



SEXP-678 A

This drawing to be used for reference for pages 11, 12 and 13

BURNER COMPONENTS

Drawing No.	Part No.	Description	W24G3-*XA	W24G3-*NA	W24G3-*XB	W24G3-*NB	W24G3-*XC	W24G3-*NC
1	S171-303	Heat Exchanger Assembly (2 Burner)	X	X				
1	S171-305	Heat Exchanger Assembly (3 Burner)			X	X		
1	S171-307	Heat Exchanger Assembly (4 Burner)					X	X
2	113-268	Manifold Bracket	X	X	X	X	X	X
4	8402-180	Limit Control L140-30	X	X				
4	8402-178	Limit Control L120-30			X	X		
4	8402-177	Limit Control L115-30					X	X
5	9010-083	NOx Screen		2		3		4
7	168-142	Collector Box	X	X				
7	168-143	Collector Box			X	X		
7	168-144	Collector Box					X	X
8	1921-043	Gasket Set	X	X	X	X	X	X
9	5809-013	3" Cast Inducer Transition	X	X	X	X	X	X
11	9010-082	Orifice 2.30mm (.0885 diameter)	2	2	3	3	4	4
11	9010-087	Orifice 2.20mm (10% derate)	2	2	3	3	4	4
12	1012-314	U Clip Fastener	2	2	2	2	2	2
13	163-050	Burner Box	X	X				
13	163-049	Burner Box			X	X		
13	163-052	Burner Box					X	X
14	141-440	Flame Rollout Support	X	X	X	X		
14	141-438	Flame Rollout Support					X	X
15	8402-124	Flame Rollout Switch L270	X	X	X	X	X	X
16	9010-078	In-Shot Burner 2.5 x 4.5	2	2	3	3	4	4
17	163-048	Burner Support	X	X				
17	163-041	Burner Support			X	X		
17	163-043	Burner Support					X	X
18	8554-024	DSI Spark Igniter	X	X	X	X	X	X
19	8554-025	Flame Sensor	X	X	X	X	X	X
20	5818-053	2-Hole Gas Manifold - 1/2"	X	X				
20	5818-054	3-Hole Gas Manifold - 1/2"			X	X		
20	5818-055	4-Hole Gas Manifold - 1/2"					X	X
21	5651-160	Natural Gas Valve 1/2 x 1/2	X	X	X	X	X	X
22	168-140	Tube Brace 2 Burner	X	X				
22	168-135	Tube Brace 3 Burner			X	X		
22	168-134	Tube Brace 4 Burner					X	X
23	112-355	Limit Bracket	X	X				
23	112-475	Limit Bracket			X	X	X	X
NS	8600-011	Ignition Cable	X	X	X	X	X	X

NS – Not Shown

Refer to drawing on page 10

BURNER COMPONENTS

Drawing No.	Part No.	Description	W30G3-*XA	W30G3-*NA	W30G3-*XB	W30G3-*NB	W30G3-*XC	W30G3-*NC
1	S171-303	Heat Exchanger Assembly (2 Burner)	X	X				
1	S171-305	Heat Exchanger Assembly (3 Burner)			X	X		
1	S171-307	Heat Exchanger Assembly (4 Burner)					X	X
2	113-268	Manifold Bracket	X	X	X	X	X	X
4	8402-180	Limit Control L140-30	X	X				
4	8402-178	Limit Control L120-30			X	X		
4	8402-177	Limit Control L115-30					X	X
5	9010-083	NOx Screen		2		3		4
7	168-142	Collector Box	X	X				
7	168-143	Collector Box			X	X		
7	168-144	Collector Box					X	X
8	1921-043	Gasket Set	X	X	X	X	X	X
9	5809-013	3" Cast Inducer Transition	X	X	X	X	X	X
11	9010-082	Orifice 2.30mm (.0885 diameter)	2	2	3	3	4	4
11	9010-087	Orifice 2.20mm (10% derate)	2	2	3	3	4	4
12	1012-314	U Clip Fastener	2	2	2	2	2	2
13	163-050	Burner Box	X	X				
13	163-049	Burner Box			X	X		
13	163-052	Burner Box					X	X
14	141-440	Flame Rollout Support	X	X	X	X		
14	141-438	Flame Rollout Support					X	X
15	8402-124	Flame Rollout Switch L270	X	X	X	X	X	X
16	9010-078	In-Shot Burner 2.5 x 4.5	2	2	3	3	4	4
17	163-048	Burner Support	X	X				
17	163-041	Burner Support			X	X		
17	163-043	Burner Support					X	X
18	8554-024	DSI Spark Igniter	X	X	X	X	X	X
19	8554-025	Flame Sensor	X	X	X	X	X	X
20	5818-053	2-Hole Gas Manifold - 1/2"	X	X				
20	5818-054	3-Hole Gas Manifold - 1/2"			X	X		
20	5818-055	4-Hole Gas Manifold - 1/2"					X	X
21	5651-160	Natural Gas Valve 1/2 x 1/2	X	X	X	X	X	X
22	168-140	Tube Brace 2 Burner	X	X				
22	168-135	Tube Brace 3 Burner			X	X		
22	168-134	Tube Brace 4 Burner					X	X
23	112-355	Limit Bracket	X	X				
23	112-475	Limit Bracket			X	X	X	X
NS	8600-011	Ignition Cable	X	X	X	X	X	X

NS – Not Shown

Refer to drawing on page 10

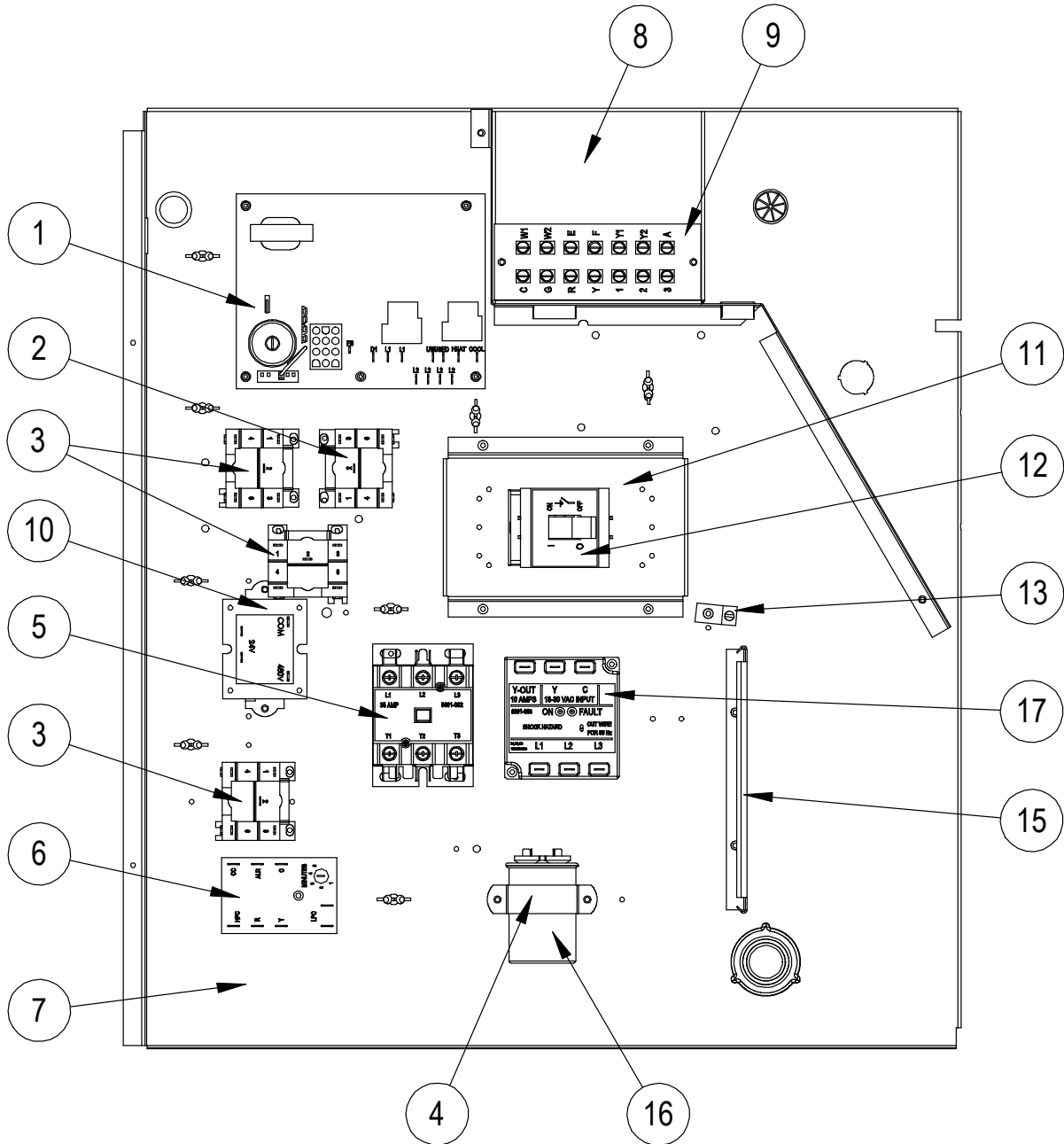
BURNER COMPONENTS

Drawing No.	Part No.	Description	W36G3-*XA	W36G3-*NA	W36G3-*XB	W36G3-*NB	W36G3-*XC	W36G3-*NC
1	S171-303	Heat Exchanger Assembly (2 Burner)	X	X				
1	S171-305	Heat Exchanger Assembly (3 Burner)			X	X		
1	S171-307	Heat Exchanger Assembly (4 Burner)					X	X
2	113-268	Manifold Bracket	X	X	X	X	X	X
4	8402-180	Limit Control L140-30	X	X				
4	8402-178	Limit Control L120-30			X	X		
4	8402-177	Limit Control L115-30					X	X
5	9010-083	NOx Screen		2		3		4
7	168-142	Collector Box	X	X				
7	168-143	Collector Box			X	X		
7	168-144	Collector Box					X	X
8	1921-043	Gasket Set	X	X	X	X	X	X
9	5809-013	3" Cast Inducer Transition	X	X	X	X	X	X
11	9010-082	Orifice 2.30mm (.0885 diameter)	2	2	3	3	4	4
11	9010-087	Orifice 2.20mm (10% derate)	2	2	3	3	4	4
12	1012-314	U Clip Fastener	2	2	2	2	2	2
13	163-050	Burner Box	X	X				
13	163-049	Burner Box			X	X		
13	163-052	Burner Box					X	X
14	141-440	Flame Rollout Support	X	X	X	X		
14	141-438	Flame Rollout Support					X	X
15	8402-124	Flame Rollout Switch L270	X	X	X	X	X	X
16	9010-078	In-Shot Burner 2.5 x 4.5	2	2	3	3	4	4
17	163-048	Burner Support	X	X				
17	163-041	Burner Support			X	X		
17	163-043	Burner Support					X	X
18	8554-024	DSI Spark Igniter	X	X	X	X	X	X
19	8554-025	Flame Sensor	X	X	X	X	X	X
20	5818-053	2-Hole Gas Manifold - 1/2"	X	X				
20	5818-054	3-Hole Gas Manifold - 1/2"			X	X		
20	5818-055	4-Hole Gas Manifold - 1/2"					X	X
21	5651-160	Natural Gas Valve 1/2 x 1/2	X	X	X	X	X	X
22	168-140	Tube Brace 2 Burner	X	X				
22	168-135	Tube Brace 3 Burner			X	X		
22	168-134	Tube Brace 4 Burner					X	X
23	112-355	Limit Bracket	X	X				
23	112-475	Limit Bracket			X	X	X	X
NS	8600-011	Ignition Cable	X	X	X	X	X	X

NS – Not Shown

Refer to drawing on page 10

CONTROL PANEL



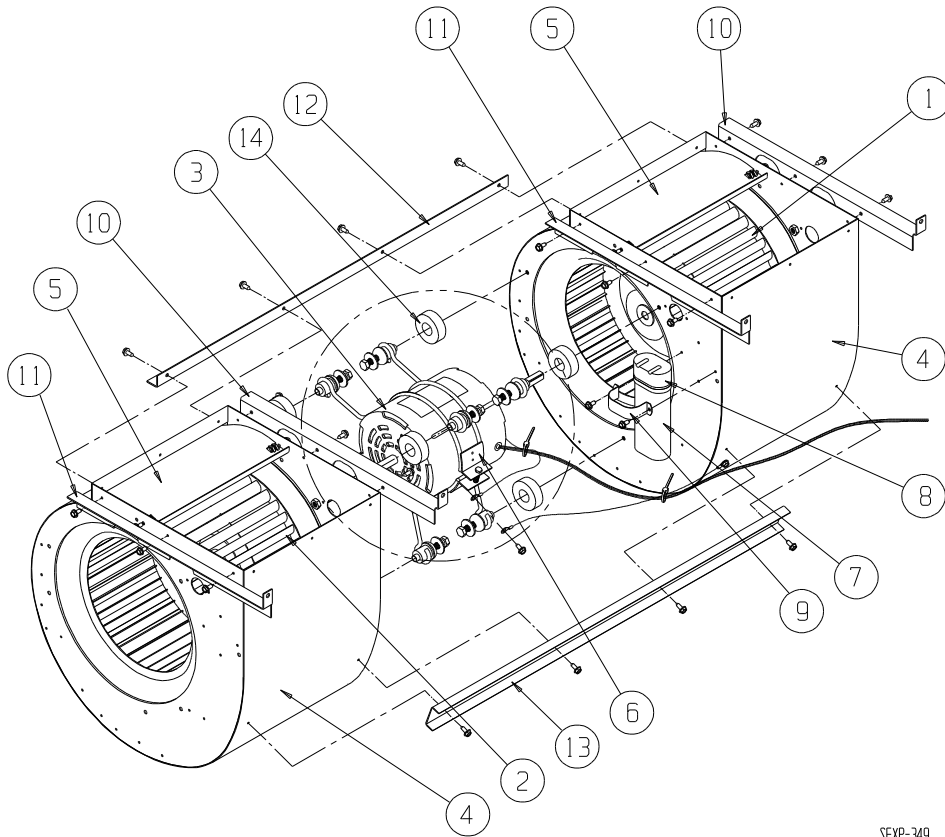
SEXP-564

CONTROL PANEL

Drawing No.	Part No.	Description	W24G3-A	W24G3-B	W24G3-C	W30G3-A	W30G3-B	W30G3-C	W36G3-A	W36G3-B	W36G3-C
1	5651-159	Integrated Furnace Control	X	X	X	X	X	X	X	X	X
1	8614-045	3A Circuit Board Fuse	X	X	X	X	X	X	X	X	X
2	8201-086	460 Volt Relay DPDT			X			X			X
3	8201-032	460 Volt Relay SPDT			3			3			3
4	8550-008	Capacitor Bracket	X			X			X		
4	8550-003	Capacitor Bracket		X	X		X	X		X	X
5	8401-006	Compressor Contactor, 2-Pole, 20A	X			X			X		
5	8401-002	Compressor Contactor, 3-Pole, 25A		X	X		X	X		X	X
6	8201-157	Compressor Control Module	X	X	X	X	X	X	X	X	X
7	517-276	Control Panel	X	X	X	X	X	X	X	X	X
8	117-248	Low Voltage Box	X	X	X	X	X	X	X	X	X
9	8607-024	Terminal Strip	X	X	X	X	X	X	X	X	X
10	8407-035	Transformer 50 VA 208/240 - 24V	X	X		X	X		X	X	
10	8407-042	Transformer 50 VA 480 - 24V			X			X			X
11	113-269	Circuit Breaker Mounting Base	X	X	X	X	X	X	X	X	X
12	8615-037	Circuit Breaker, 30A, 2-Pole, 240V	X								
12	8615-051	Circuit Breaker, 25A, 3-Pole, 240V		X							
12	8615-067	460V 40A Toggle Disconnect			X			X			X
12	8615-038	Circuit Breaker, 35A, 2-Pole, 240V				X					
12	8615-055	Circuit Breaker, 40A, 2-Pole, 240V							X		
12	8615-051	Circuit Breaker, 25A, 3-Pole, 240V					X				
12	8615-042	Circuit Breaker, 35A, 3-Pole, 240V								X	
13	8611-006	Ground Terminal	X	X	X	X	X	X	X	X	X
14	8615-057	Circuit Breaker Mounting Feet	2	2		2	2		2	2	
14	8615-008	Circuit Breaker Mounting Feet			.5			.5			.5
15	135-130	Wire Shield	X	X	X	X	X	X	X	X	X
16	8552-002	Capacitor 5 MFD 370V		X	X		X	X		X	X
16	8552-050	Capacitor 40+5 MFD 370V	X								
16	8552-049	Capacitor 35+5 MFD 440V									
16	8552-052	Capacitor 45+5 MFD 370V				X			X		
17	8201-126	3 Phase Line Monitor					X				X
NS	4085-159	Wiring Diagram	X								
NS	4085-257	Wiring Diagram		X							
NS	4085-380	Wiring Diagram			X						
NS	4085-161	Wiring Diagram				X			X		
NS	4085-259	Wiring Diagram					X			X	
NS	4085-382	Wiring Diagram						X			X

NS – Not Shown

BLOWER ASSEMBLY



SEXP-349

Drawing No.	Part No.	Description	S900-266	S900-267	S900-275	S900-276
1	5152-096	Blower Wheel 10-6	X	X	X	X
2	5152-072	Blower Wheel 10-6	X	X	X	X
3	8105-049	Motor 230/208 V		X		
3	8620-208	Motor 460V				X
3	8104-017	Motor 230/208 V	X			
3	8620-207	Motor 460V			X	
4	151-117	Blower Housing	2	2	2	2
5	144-167	Diffuser	2	2	2	2
6	8200-040	Motor Mount	X	X	X	X
7	8552-004	Capacitor 7.5 MFD 370V	X	X	X	X
8	8611-002	Capacitor Boot	X	X	X	X
9	8550-003	Capacitor Bracket	X	X	X	X
10	105X1075	Angle – Right	2	2	2	2
11	105Y1075	Angle – Left	2	2	2	2
12	105-1109	Angle – Back	X	X	X	X
13	165-572	Channel – Front	X	X	X	X
14	5451-011	Grommets	3	3	3	3