
REPLACEMENT PARTS MANUAL

WALL MOUNTED GAS/ELECTRIC

Models:

W42G3-A W48G3-A W60G3-A
W42G3-B W48G3-B W60G3-B
W42G3-C W48G3-C W60G3-C

Contents

<i>Description</i>	<i>Page</i>
Cabinet Components	
♦ Exploded View	2
♦ Usage List	3
♦ Usage List	4
Functional Components	
♦ Exploded View	6
♦ Usage List	7
♦ Usage List	8
♦ Usage List	9
Burner Components	
♦ Exploded View	10
♦ Usage List	11
♦ Usage List	12
♦ Usage List	13
Control Panel	
♦ Exploded View	14
♦ Usage List	15
Blower Assembly	
♦ Exploded View	16
♦ Usage List	16

General Notes

- Revised and/or additional pages may be issued from time to time.
- A complete and current manual consists of pages shown in the following contents section.

Important

- Contact the installing and/or local Bard distributor for all parts requirements. Make sure you have the complete model and serial number available from the unit rating plates.

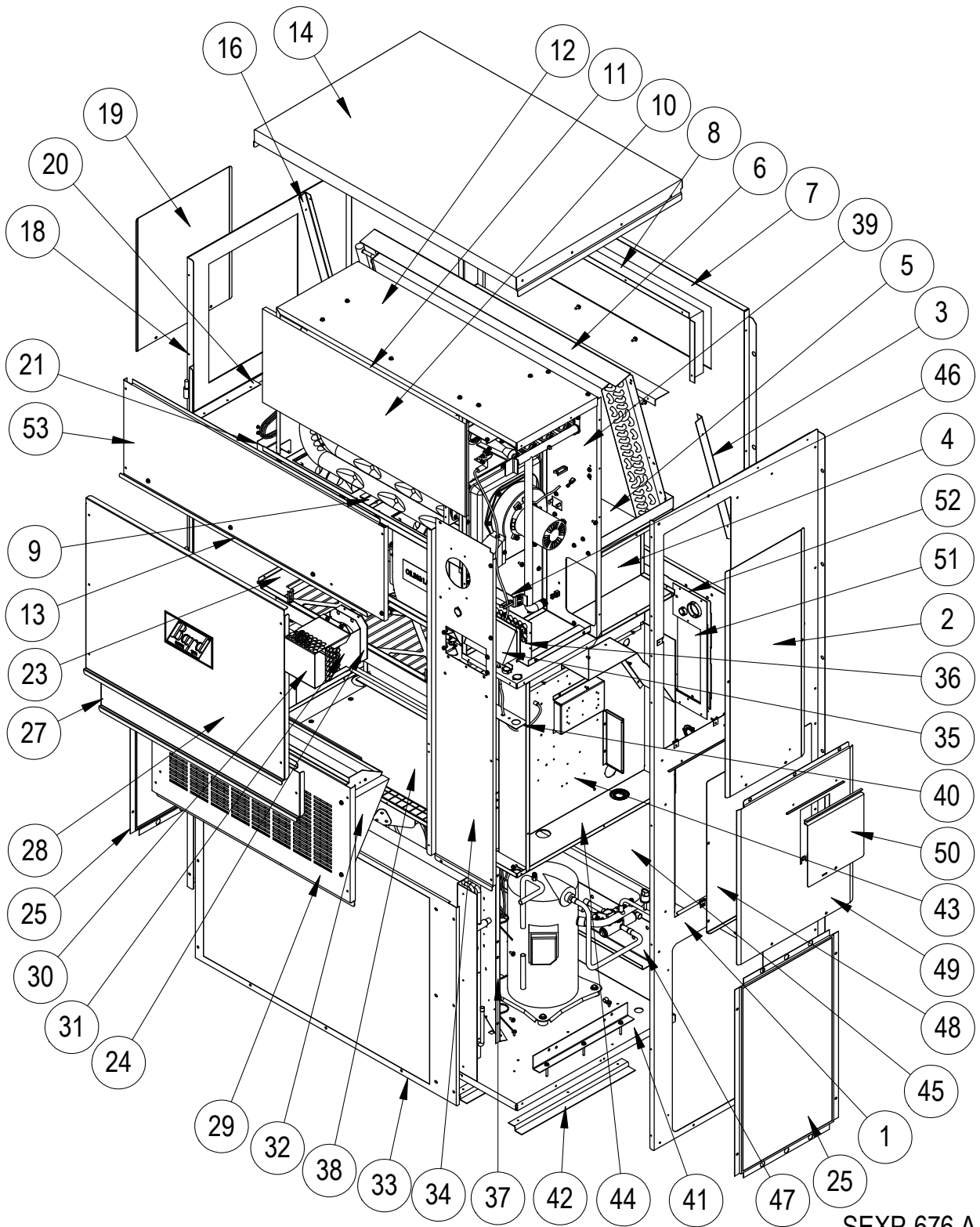


Climate Control Solutions

Bard Manufacturing Company, Inc.
Bryan, Ohio 43506
www.bardhvac.com

Manual: 2110-818B
Supersedes: 2110-818A
Date: 8-15-17

CABINET COMPONENTS



SEXP-676 A

This drawing to be used for reference for pages 3 and 4

CABINET COMPONENTS

Drawing No.	Part No.	Description	All Models
1	501-570-*	Right Side Assembly	X
2	S153-326-*	Vestibule Service Door	X
3	105X1073	Right Evaporator Support Angle	X
4	541-266	Right Drain Pan Support Assembly	X
5	S523-123	Drain Pan Assembly	X
6	105-1080	Evaporator Coil Fill Angle	X
7	509-156	Upper Back	X
8	111-063	Supply Air Frame	2
9	103-439	Heat Exchanger Support Offset	X
10	Heat Exch Assy	See Burner Components Diagram	
11	105-1076	Top Heat Exchanger Deflector	X
12	135-216	Inner Air Baffle	X
13	165-586-*	Top Rain Channel	X
14	507-246-*	Top Assembly	X
15	135-184	Right Heat Exchanger Deflector	X
16	105Y1073	Left Evaporator Support Angle	X
17	105-1066	Lower Heat Exchanger Deflector	X
18	501-788-*	Left Side Assembly	X
19	543-070-*	Left Access Cover	X
20	105-1070	Left Support Angle	X
21	S121-484	Blower Partition	X
23	131-163	Filter Tray	X
24	1921-051	Vent Terminal Gasket	X
25	118-084-*	Side Grille	2
<i>Continued on page 4</i>			

* Exterior cabinet parts are manufactured with various paint color options. To ensure the proper paint color is received, include the complete model number and serial number of the unit for which parts are being ordered.

Refer to drawing on page 2

CABINET COMPONENTS

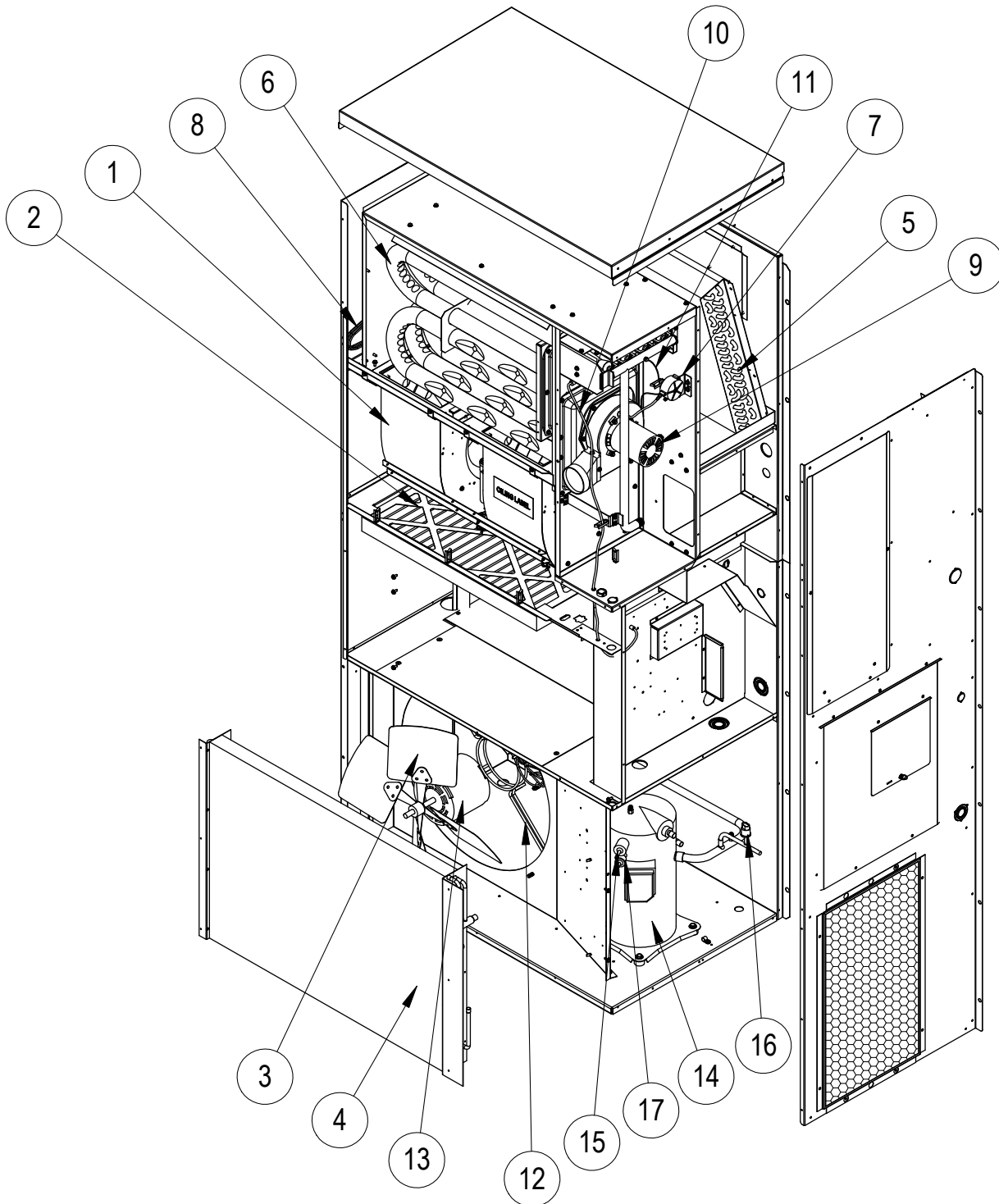
Drawing No.	Part No.	Description	All Models
<i>Continued from page 3</i>			
27	553-562-*	Filter Access Panel Assembly	X
28	S553-561-*	Front Door Assembly	X
29	553-327-*	Vent Option Door Assembly	X
30	169-119	Outer Vent Hood	X
31	169-120	Inner Vent Hood	X
32	WGBFAD-5	Barometric Fresh Air Damper	X
33	118-048-*	Condenser Grille	X
34	549-131-*	Right Front Corner Assembly	X
35	S135-181-*	Air Intake Hood	X
36	S134-182-*	Air Intake Back	X
37	125-024	Fan Shroud	X
38	542-072	Condenser Partition Blank Off Plate	X
39	541-398	Heat Exchanger Support Assembly	X
40	142-071	Filter Blank Off Plate	X
41	127-561	Lower Base	X
42	103-438	Lower Base Offset	3
43	517-276	Control Panel Assembly	X
44	521-420	Condenser Partition Assembly	X
45	509-157	Lower Back Assembly	X
46	113-268	Manifold Bracket	X
47	113-140	Bottom Support Bracket	X
48	S133-163	Circuit Breaker Inner Door	X
49	S533-162-*	Control Panel Cover Assembly	X
50	S153-328-*	Disconnect Access Door	X
51	134-193	Conduit Access Panel	X
52	156-029	Conduit Entrance Plate	X
53	553-388-*	Upper Door Assembly	X

* Exterior cabinet parts are manufactured with various paint color options. To ensure the proper paint color is received, include the complete model number and serial number of the unit for which parts are being ordered.

Refer to drawing on page 2

This page intentionally left blank

FUNCTIONAL COMPONENTS



SEXP-677

This drawing to be used for reference for pages 7, 8 and 9

FUNCTIONAL COMPONENTS

Drawing No.	Part No.	Description	W42G3-AXB	W42G3-AXC	W42G3-AXD	W42G3-BXB	W42G3-BXC	W42G3-BXD	W42G3-CXB	W42G3-CXC	W42G3-CXD
1	S900-249	Complete Blower Assembly 230/208	X	X	X	X	X	X			
1	S900-277	Complete Blower Assembly 460V							X	X	X
2	7004-027	20 x 30 x 2 Pleated Filter (Standard)	X	X	X	X	X	X	X	X	X
2	7003-030	20 x 30 x 1 AF Filter (Optional)	X	X	X	X	X	X	X	X	X
3	5151-027	Fan Blade	X	X	X	X	X	X	X	X	X
4	5051-179BX	Coil	X	X	X	X	X	X	X	X	X
5	5060-106BX	Coil	X	X	X	X	X	X	X	X	X
6	Heat Exch.	See Burner Components Diagram	X	X	X	X	X	X	X	X	X
7	8406-103	.55" + .05" Pressure Switch	X	X	X	X	X	X	X	X	X
8	S800-0448	Distributor/Orifice .070	X	X	X	X	X	X	X	X	X
9	8109-014	Induced Draft Blower 230V w/Transition	X	X	X	X	X	X			
9	8109-015	Induced Draft Blower 460V w/Transition							X	X	X
10	8600-011	Suppression Ignition Cable	X	X	X	X	X	X	X	X	X
11	3000-1121	Wire Assembly	X	X	X	X	X	X			
11	3000-1124	Wire Assembly							X	X	X
12	8200-004	Fan Motor Mount	X	X	X	X	X	X	X	X	X
13	8105-066	Motor 230/208V	X	X	X	X	X	X			
13	8105-030	Motor 460V							X	X	X
14	8000-318	Compressor ZP39K5E-PFV-130	X	X	X						
14	8000-319	Compressor ZP39K5E-TF5-130				X	X	X			
14	8000-320	Compressor ZP39K5E-TFD-130							X	X	X
15	1804-0462	High Pressure Switch (Flare)	X	X	X	X	X	X	X	X	X
16	1804-0386	Low Pressure Switch (Flare)	X	X	X	X	X	X	X	X	X
17	8406-105	Low Ambient Control - Opt. - (Flare)	X	X	X	X	X	X	X	X	X
NS	8408-048	Freeze Stat (Part of LAC Kit)	X	X	X	X	X	X	X	X	X
NS	CMA-29	Complete Low Ambient Kit	X	X	X	X	X	X	X	X	X
NS	S400-0183	Orifice Parts Bag 3 Tube 75K	X			X			X		
NS	S400-0184	Orifice Parts Bag 4 Tube 100K		X			X			X	
NS	S400-0185	Orifice Parts Bag 5 Tube 125K			X			X			X
NS	6031-009	Coremax Valve Core	X	X	X	X	X	X	X	X	X

NS - Not Shown
Opt. = Optional

Refer to drawing on page 6

FUNCTIONAL COMPONENTS

Drawing No.	Part No.	Description	W48G3-AXB	W48G3-AXC	W48G3-AXD	W48G3-BXB	W48G3-BXC	W48G3-BXD	W48G3-CXB	W48G3-CXC	W48G3-CXD
1	S900-249	Complete Blower Assembly 230/208	X	X	X	X	X	X			
1	S900-277	Complete Blower Assembly 460V							X	X	X
2	7004-027	20 x 30 x 2 Pleated Filter (Standard)	X	X	X	X	X	X	X	X	X
2	7003-030	20 x 30 x 1 AF Filter (Optional)	X	X	X	X	X	X	X	X	X
3	5151-027	Fan Blade	X	X	X	X	X	X	X	X	X
4	5051-180BX	Coil	X	X	X	X	X	X	X	X	X
5	5060-106BX	Coil	X	X	X	X	X	X	X	X	X
6	Heat Exch.	See Burner Components Diagram	X	X	X	X	X	X	X	X	X
7	8406-103	.55" + .05" Pressure Switch	X	X	X	X	X	X	X	X	X
8	S800-0369	Distributor/Orifice .073	X	X	X	X	X	X	X	X	X
9	8109-014	Induced Draft Blower 230V w/Transition	X	X	X	X	X	X			
9	8109-015	Induced Draft Blower 460V w/Transition							X	X	X
10	8600-011	Suppression Ignition Cable	X	X	X	X	X	X	X	X	X
11	3000-1121	Wire Assembly	X	X	X	X	X	X			
11	3000-1124	Wire Assembly							X	X	X
12	8200-004	Fan Motor Mount	X	X	X	X	X	X	X	X	X
13	8105-066	Motor 230/208V	X	X	X	X	X	X			
13	8105-030	Motor 460V							X	X	X
14	8000-332	Compressor ZP42K5E-PFV-130	X	X	X						
14	8000-333	Compressor ZP42K5E-TF5-130				X	X	X			
14	8000-334	Compressor ZP42K5E-TFD-130							X	X	X
15	1804-0462	High Pressure Switch (Flare)	X	X	X	X	X	X	X	X	X
16	1804-0386	Low Pressure Switch (Flare)	X	X	X	X	X	X	X	X	X
17	8406-105	Low Ambient Control - Opt. - (Flare)	X	X	X	X	X	X	X	X	X
NS	8408-048	Freeze Stat (Part of LAC Kit)	X	X	X	X	X	X	X	X	X
NS	CMA-29	Complete Low Ambient Kit	X	X	X	X	X	X	X	X	X
NS	S400-0183	Orifice Parts Bag 3 Tube 75K	X			X			X		
NS	S400-0184	Orifice Parts Bag 4 Tube 100K		X			X			X	
NS	S400-0185	Orifice Parts Bag 5 Tube 125K			X			X			X
NS	6031-009	Coremax Valve Core	X	X	X	X	X	X	X	X	X

NS - Not Shown
Opt. = Optional

Refer to drawing on page 6

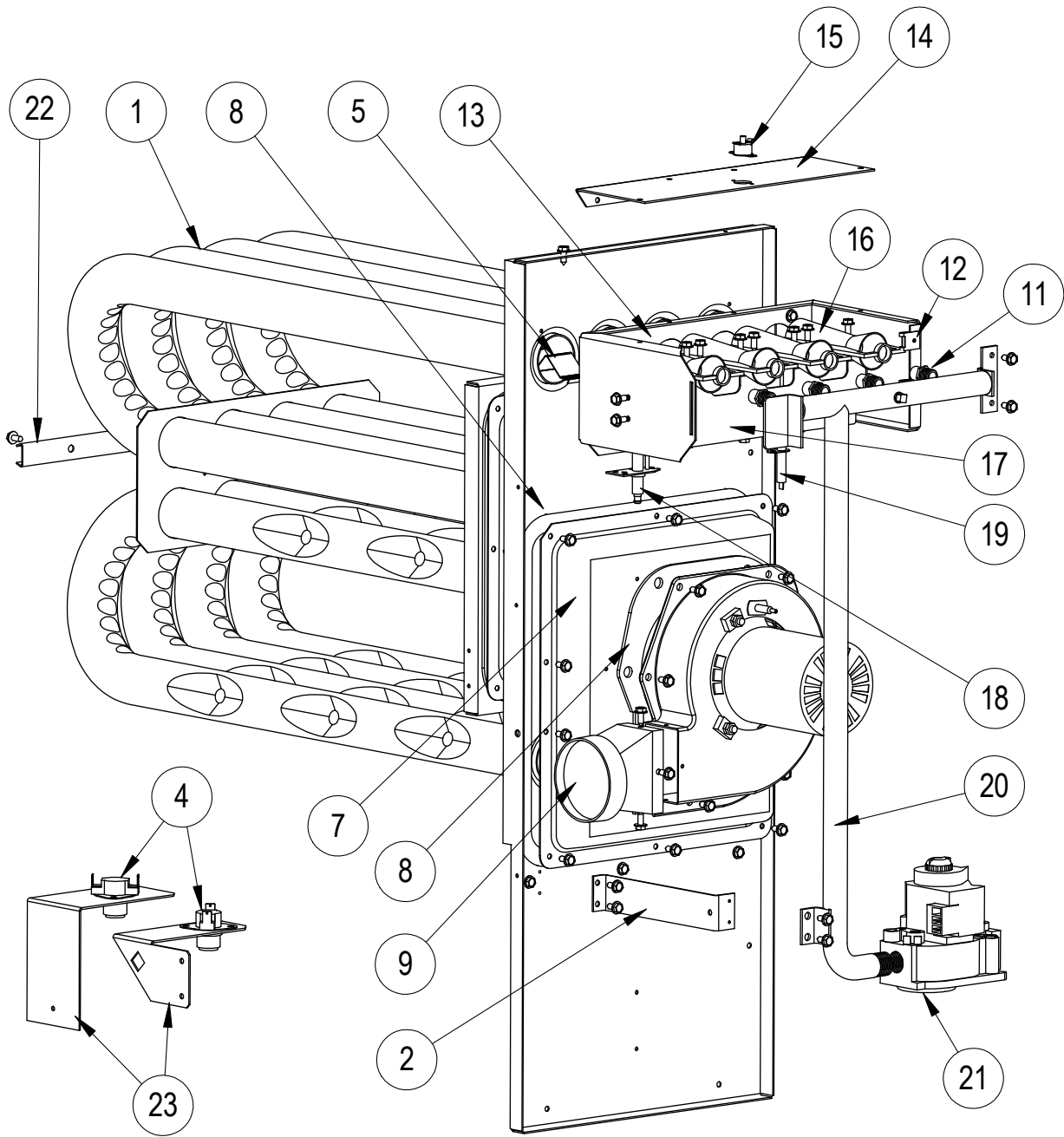
FUNCTIONAL COMPONENTS

Drawing No.	Part No.	Description	W60G3-AXB	W60G3-AXC	W60G3-AXD	W60G3-BXB	W60G3-BXC	W60G3-BXD	W60G3-CXB	W60G3-CXC	W60G3-CXD
1	S900-249	Complete Blower Assembly 230/208	X	X	X	X	X	X			
1	S900-277	Complete Blower Assembly 460V							X	X	X
2	7004-027	20 x 30 x 2 Pleated Filter (Standard)	X	X	X	X	X	X	X	X	X
2	7003-030	20 x 30 x 1 AF Filter (Optional)	X	X	X	X	X	X	X	X	X
3	5151-027	Fan Blade	X	X	X	X	X	X	X	X	X
4	5051-180BX	Coil	X	X	X	X	X	X	X	X	X
5	5060-105BX	Coil	X	X	X	X	X	X	X	X	X
6	Heat Exch.	See Burner Components Diagram	X	X	X	X	X	X	X	X	X
7	8406-103	.55" + .05" Pressure Switch	X	X	X	X	X	X	X	X	X
8	S800-0449	Distributor/Orifice .087	X	X	X	X	X	X	X	X	X
9	8109-014	Induced Draft Blower 230V w/Transition	X	X	X	X	X				
9	8109-015	Induced Draft Blower 460V w/Transition							X	X	X
10	8600-011	Suppression Ignition Cable	X	X	X	X	X	X	X	X	X
11	3000-1121	Wire Assembly	X	X	X	X	X				
11	3000-1124	Wire Assembly							X	X	X
12	8200-004	Fan Motor Mount	X	X	X	X	X	X	X	X	X
13	8105-066	Motor 230/208V	X	X	X	X	X				
13	8105-030	Motor 460V							X	X	X
14	8000-324	Compressor ZP54K5E-PFV-130	X	X	X						
14	8000-325	Compressor ZP54K5E-TF5-130				X	X	X			
14	8000-326	Compressor ZP54K5E-TFD-130							X	X	X
15	1804-0462	High Pressure Switch (Flare)	X	X	X	X	X	X	X	X	X
16	1804-0386	Low Pressure Switch (Flare)	X	X	X	X	X	X	X	X	X
17	8406-105	Low Ambient Control - Opt. - (Flare)	X	X	X	X	X	X	X	X	X
NS	8408-048	Freeze Stat (Part of LAC Kit)	X	X	X	X	X	X	X	X	X
NS	CMA-29	Complete Low Ambient Kit	X	X	X	X	X	X	X	X	X
NS	S400-0183	Orifice Parts Bag 3 Tube 75K	X			X			X		
NS	S400-0184	Orifice Parts Bag 4 Tube 100K		X			X			X	
NS	S400-0185	Orifice Parts Bag 5 Tube 125K			X			X			X
NS	6031-009	Coremax Valve Core	X	X	X	X	X	X	X	X	X

NS - Not Shown
Opt. = Optional

Refer to drawing on page 6

BURNER COMPONENTS



SEXP-678 A

This drawing to be used for reference for pages 11, 12 and 13

BURNER COMPONENTS

Drawing No.	Part No.	Description	W42G3-*XB	W42G3-*NB	W42G3-*XC	W42G3-*NC	W42G3-*XD
1	S171-315	Heat Exchanger Assembly 75K	X	X			
1	S171-317	Heat Exchanger Assembly 100K			X	X	
1	S171-319	Heat Exchanger Assembly 125K					X
2	113-268	Manifold Bracket	X	X	X	X	X
4	8402-180	Limit Control L140-30	X	X			
4	8402-178	Limit Control L120-30			X	X	
4	8402-177	Limit Control L115-30					X
5	9010-083	NOx Screen		3		4	
6	1921-025-4600	46" Glas-Tak Tape	X	X	X	X	X
7	168-126	Collector Box	X	X			
7	168-127	Collector Box			X	X	
7	168-128	Collector Box					X
8	1921-044	Gasket Set	X	X	X	X	X
9	5809-013	3" Cast Inducer Transition	X	X	X	X	X
10	5809-017	3.031" x 4.625" Transition	X	X	X	X	X
11	9010-079	Orifice 2.40mm (.0960 diameter)	3		4		5
11	9010-082	Orifice 2.30mm (10% derate & .0905 diameter)	3	3	4	4	5
12	1012-314	U Clip Fastener	4	4	4	4	4
13	163-049	Burner Box	X	X			
13	163-052	Burner Box			X	X	
13	163-051	Burner Box					X
14	141-440	Flame Rollout Support	X	X			
14	141-438	Flame Rollout Support			X	X	
14	141-439	Flame Rollout Support					X
15	8402-124	Flame Rollout Switch L270	X	X	X	X	X
16	9010-078	In-Shot Burner 2.5 x 4.5	3	3	4	4	5
17	163-041	Burner Support	X	X			
17	163-043	Burner Support			X	X	
17	163-045	Burner Support					X
18	8554-024	DSI Spark Igniter	X	X	X	X	X
19	8554-025	Flame Sensor	X	X	X	X	X
20	5818-054	3-Hole Gas Manifold - 1/2"	X	X			
20	5818-055	4-Hole Gas Manifold - 1/2"			X	X	
20	5818-056	5-Hole Gas Manifold - 1/2"					X
21	5651-160	Natural Gas Valve 1/2 x 1/2	X	X	X	X	X
22	168-140	Tube Brace 2 Burner	X	X			
22	168-135	Tube Brace 3 Burner			X	X	
22	168-134	Tube Brace 4 Burner					X
23	112-355	Limit Bracket	X	X			
23	112-475	Limit Bracket			X	X	X
NS	8600-011	Ignition Cable	X	X	X	X	X

NS – Not Shown

Refer to drawing on page 10

BURNER COMPONENTS

Drawing No.	Part No.	Description	W48G3-*XB	W48G3-*NB	W48G3-*XC	W48G3-*NC	W48G3-*XD
1	S171-315	Heat Exchanger Assembly 75K	X	X			
1	S171-317	Heat Exchanger Assembly 100K			X	X	
1	S171-319	Heat Exchanger Assembly 125K					X
2	113-268	Manifold Bracket	X	X	X	X	X
4	8402-180	Limit Control L140-30	X	X			
4	8402-178	Limit Control L120-30			X	X	
4	8402-177	Limit Control L115-30					X
5	9010-083	NOx Screen		3		4	
6	1921-025-4600	46" Glas-Tak Tape	X	X	X	X	X
7	168-126	Collector Box	X	X			
7	168-127	Collector Box			X	X	
7	168-128	Collector Box					X
8	1921-044	Gasket Set	X	X	X	X	X
9	5809-013	3" Cast Inducer Transition	X	X	X	X	X
10	5809-017	3.031" x 4.625" Transition	X	X	X	X	X
11	9010-079	Orifice 2.40mm (.0960 diameter)	3		4		5
11	9010-082	Orifice 2.30mm (10% derate & .0905 diameter)	3	3	4	4	5
12	1012-314	U Clip Fastener	4	4	4	4	4
13	163-049	Burner Box	X	X			
13	163-052	Burner Box			X	X	
13	163-051	Burner Box					X
14	141-440	Flame Rollout Support	X	X			
14	141-438	Flame Rollout Support			X	X	
14	141-439	Flame Rollout Support					X
15	8402-124	Flame Rollout Switch L270	X	X	X	X	X
16	9010-078	In-Shot Burner 2.5 x 4.5	3	3	4	4	5
17	163-041	Burner Support	X	X			
17	163-043	Burner Support			X	X	
17	163-045	Burner Support					X
18	8554-024	DSI Spark Igniter	X	X	X	X	X
19	8554-025	Flame Sensor	X	X	X	X	X
20	5818-054	3-Hole Gas Manifold - 1/2"	X	X			
20	5818-055	4-Hole Gas Manifold - 1/2"			X	X	
20	5818-056	5-Hole Gas Manifold - 1/2"					X
21	5651-160	Natural Gas Valve 1/2 x 1/2	X	X	X	X	X
22	168-140	Tube Brace 2 Burner	X	X			
22	168-135	Tube Brace 3 Burner			X	X	
22	168-134	Tube Brace 4 Burner					X
23	112-355	Limit Bracket	X	X			
23	112-475	Limit Bracket			X	X	X
NS	8600-011	Ignition Cable	X	X	X	X	X

NS – Not Shown

Refer to drawing on page 10

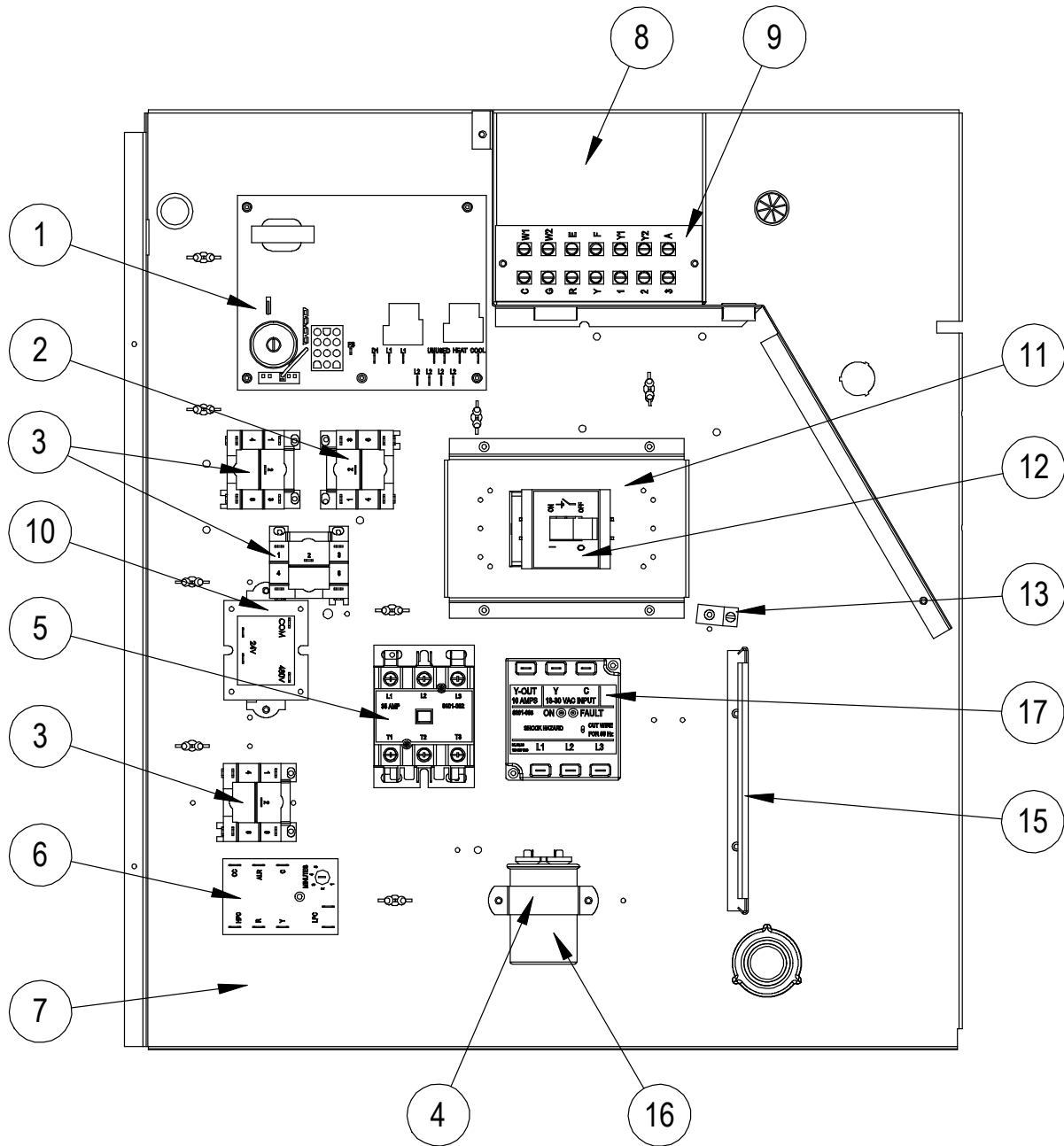
BURNER COMPONENTS

Drawing No.	Part No.	Description	W60G3-*XB	W60G3-*NB	W60G3-*XC	W60G3-*NC	W60G3-*XD
1	S171-315	Heat Exchanger Assembly 75K	X	X			
1	S171-317	Heat Exchanger Assembly 100K			X	X	
1	S171-319	Heat Exchanger Assembly 125K					X
2	113-268	Manifold Bracket	X	X	X	X	X
4	8402-180	Limit Control L140-30	X	X			
4	8402-178	Limit Control L120-30			X	X	
4	8402-177	Limit Control L115-30					X
5	9010-083	NOx Screen		3		4	
6	1921-025-4600	46" Glas-Tak Tape	X	X	X	X	X
7	168-126	Collector Box	X	X			
7	168-127	Collector Box			X	X	
7	168-128	Collector Box					X
8	1921-044	Gasket Set	X	X	X	X	X
9	5809-013	3" Cast Inducer Transition	X	X	X	X	X
10	5809-017	3.031" x 4.625" Transition	X	X	X	X	X
11	9010-079	Orifice 2.40mm (.0960 diameter)	3		4		5
11	9010-082	Orifice 2.30mm (10% derate & .0905 diameter)	3	3	4	4	5
12	1012-314	U Clip Fastener	4	4	4	4	4
13	163-049	Burner Box	X	X			
13	163-052	Burner Box			X	X	
13	163-051	Burner Box					X
14	141-440	Flame Rollout Support	X	X			
14	141-438	Flame Rollout Support			X	X	
14	141-439	Flame Rollout Support					X
15	8402-124	Flame Rollout Switch L270	X	X	X	X	X
16	9010-078	In-Shot Burner 2.5 x 4.5	3	3	4	4	5
17	163-041	Burner Support	X	X			
17	163-043	Burner Support			X	X	
17	163-045	Burner Support					X
18	8554-024	DSI Spark Igniter	X	X	X	X	X
19	8554-025	Flame Sensor	X	X	X	X	X
20	5818-054	3-Hole Gas Manifold - 1/2"	X	X			
20	5818-055	4-Hole Gas Manifold - 1/2"			X	X	
20	5818-056	5-Hole Gas Manifold - 1/2"					X
21	5651-160	Natural Gas Valve 1/2 x 1/2	X	X	X	X	X
22	168-140	Tube Brace 2 Burner	X	X			
22	168-135	Tube Brace 3 Burner			X	X	
22	168-134	Tube Brace 4 Burner					X
23	112-355	Limit Bracket	X	X			
23	112-475	Limit Bracket			X	X	X
NS	8600-011	Ignition Cable	X	X	X	X	X

NS – Not Shown

Refer to drawing on page 10

CONTROL PANEL



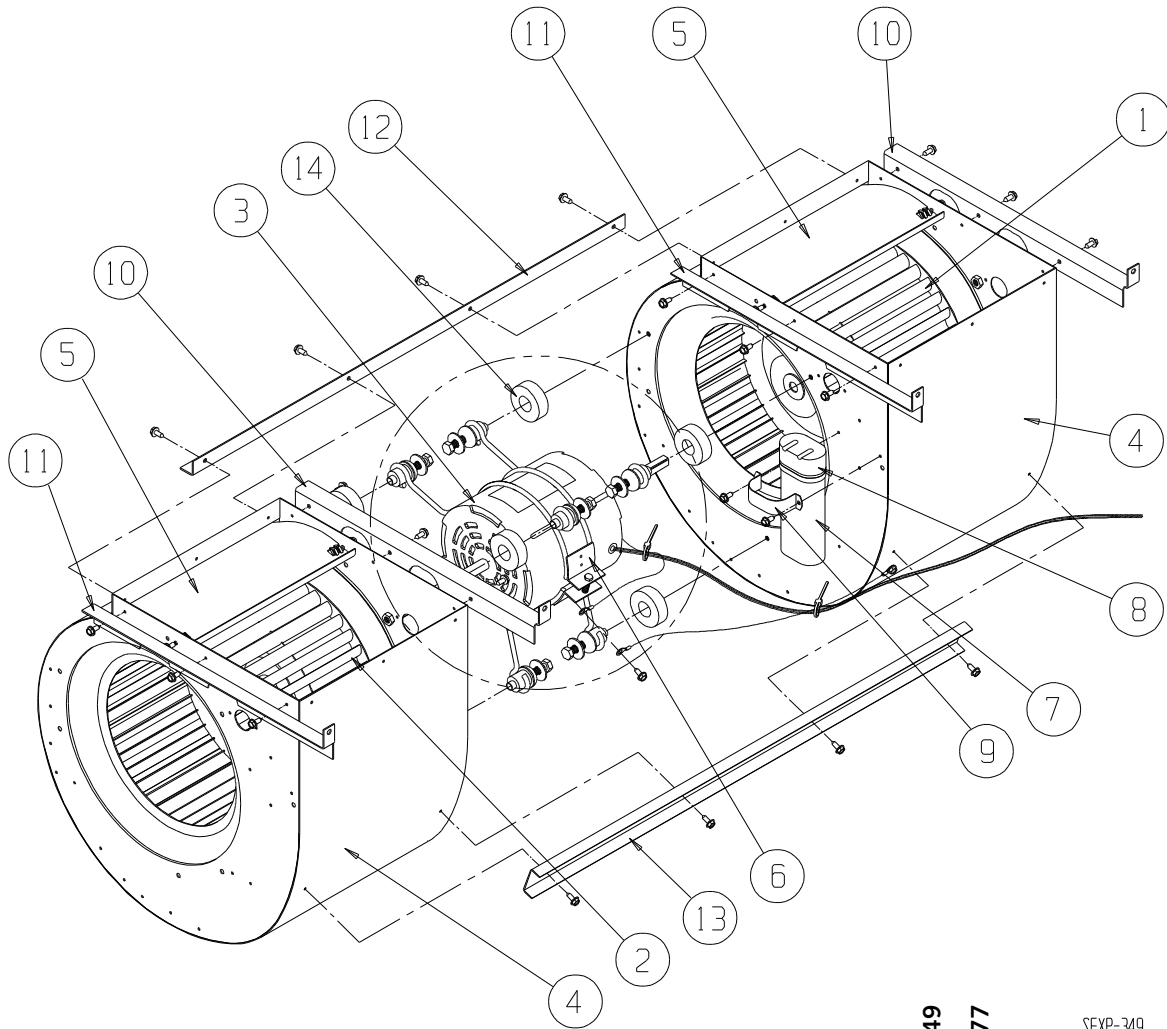
SEXP-564

CONTROL PANEL

Drawing No.	Part No.	Description	W42G3-A	W42G3-B	W42G3-C	W48G3-A	W48G3-B	W48G3-C	W60G3-A	W60G3-B	W60G3-C
1	5651-159	Integrated Furnace Control	X	X	X	X	X	X	X	X	X
1	8614-045	3A Circuit Board Fuse	X	X	X	X	X	X	X	X	X
2	8201-086	460 Volt Relay DPDT			X			X			X
3	8201-032	460 Volt Relay SPDT			3			3			3
4	8550-008	Capacitor Bracket	X			X			X		
4	8550-003	Capacitor Bracket		X	X		X	X		X	X
5	8401-025	Compressor Contactor, 2 Pole, 40A	X			X			X		
5	8401-002	Compressor Contactor, 3 Pole, 25A		X	X		X	X		X	X
6	8201-157	Compressor Control Module	X	X	X	X	X	X	X	X	X
7	517-276	Control Panel	X	X	X	X	X	X	X	X	X
8	117-248	Low Voltage Box	X	X	X	X	X	X	X	X	X
9	8607-024	Terminal Strip	X	X	X	X	X	X	X	X	X
10	8407-035	Transformer 50 VA 208/240 - 24V	X	X		X	X		X	X	
10	8407-042	Transformer 50 VA 480 - 24V			X			X			X
11	113-269	Circuit Breaker Mounting Base	X	X	X	X	X	X	X	X	X
12	8615-040	Circuit Breaker, 50A, 2 Pole, 240V	X			X					
12	8615-042	Circuit Breaker, 35A, 3 Pole, 240V		X			X				
12	8615-067	460V 40A Toggle Disconnect			X			X			X
12	8615-041	Circuit Breaker, 60A, 2 Pole, 240V							X		
12	8615-043	Circuit Breaker, 40A, 3 Pole, 240V								X	
13	8611-006	Ground Terminal	X	X	X	X	X	X	X	X	X
14	8615-057	Circuit Breaker Mounting Feet	2	2		2	2		2	2	
14	8615-008	Circuit Breaker Mounting Feet			.5			.5			.5
15	135-130	Wire Shield	X	X	X	X	X	X	X	X	X
16	8552-079	Capacitor 45+10 MFD 370V	X								
16	8552-005	Capacitor 10 MFD 370V		X			X			X	
16	8552-089	Capacitor 70+10 MFD 370V				X					
16	8552-058	Capacitor 80+10 MFD 440V							X		
16	8552-026	Capacitor 15 MFD 370V			X			X			X
17	8201-126	3 Phase Line Monitor		X	X		X	X		X	X
NS	4085-161	Wiring Diagram	X			X					
NS	4085-259	Wiring Diagram		X			X				
NS	4085-382	Wiring Diagram			X			X			
NS	4085-163	Wiring Diagram							X		
NS	4085-261	Wiring Diagram								X	
NS	4085-384	Wiring Diagram									X

NS – Not Shown

BLOWER ASSEMBLY



Drawing No.	Part No.	Description	S900-249	S900-277
1	5152-011	Blower Wheel 10-8	X	X
2	5152-012	Blower Wheel 10-8	X	X
3	8106-038	Motor 230/208 V	X	
3	8620-209	Motor 460V		X
4	151-101	Blower Housing	2	2
5	144-166	Diffuser	2	2
6	8200-040	Motor Mount	X	X
7	8552-005	Capacitor 10 MFD 370V	X	X
8	8611-002	Capacitor Boot	X	X
9	8550-003	Capacitor Bracket	X	X
10	105X1075	Angle – Right	2	2
11	105Y1075	Angle – Left	2	2
12	105-881	Angle – Back	X	X
13	165-564	Channel – Front	X	X
14	5451-011	Grommets	3	3

SEXP-349