

---

# REPLACEMENT PARTS MANUAL

---

## WALL MOUNTED GAS/ELECTRIC

Models:

W42G3DA W48G3DA W60G3DA  
W42G3DB W48G3DB W60G3DB  
W42G3DC W48G3DC W60G3DC

---

### Contents

| Description           | Page | Description           | Page |
|-----------------------|------|-----------------------|------|
| Cabinet Components    |      | Blower Assembly       |      |
| ♦ Exploded View ..... | 2    | ♦ Exploded View ..... | 20   |
| ♦ Usage List .....    | 3    | ♦ Usage List .....    | 20   |
| ♦ Usage List .....    | 4    |                       |      |
| ♦ Usage List .....    | 5    |                       |      |
| ♦ Usage List .....    | 6    |                       |      |
| ♦ Usage List .....    | 7    |                       |      |
| ♦ Usage List .....    | 8    |                       |      |
| Functional Components |      |                       |      |
| ♦ Exploded View ..... | 10   |                       |      |
| ♦ Usage List .....    | 11   |                       |      |
| ♦ Usage List .....    | 12   |                       |      |
| ♦ Usage List .....    | 13   |                       |      |
| Burner Components     |      |                       |      |
| ♦ Exploded View ..... | 14   |                       |      |
| ♦ Usage List .....    | 15   |                       |      |
| ♦ Usage List .....    | 16   |                       |      |
| ♦ Usage List .....    | 17   |                       |      |
| Control Panel         |      |                       |      |
| ♦ Exploded View ..... | 18   |                       |      |
| ♦ Usage List .....    | 19   |                       |      |

### General Notes

- Revised and/or additional pages may be issued from time to time.
- A complete and current manual consists of pages shown in the following contents section.

### Important

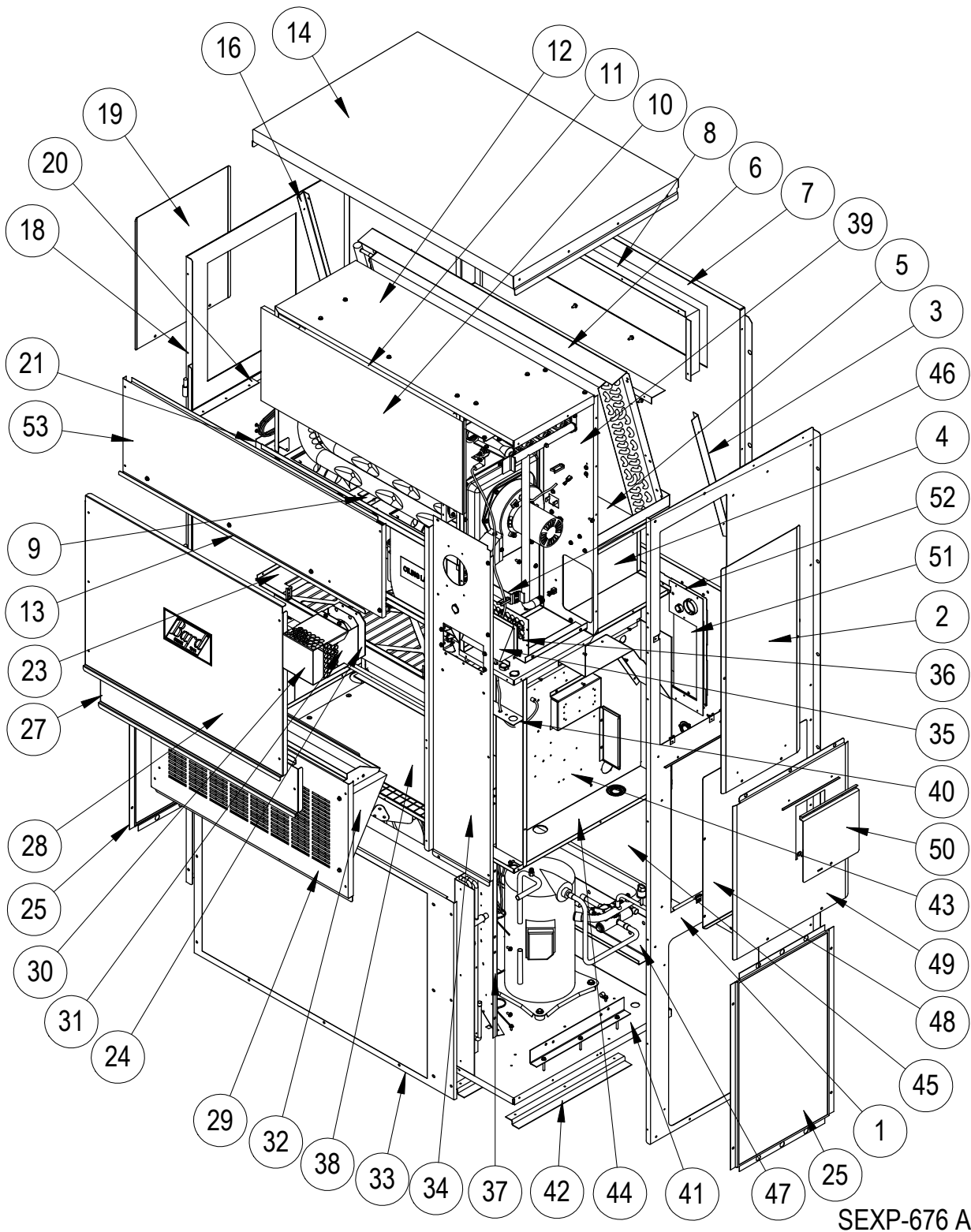
- Contact the installing and/or local Bard distributor for all parts requirements. Make sure you have the complete model and serial number available from the unit rating plates.



Bard Manufacturing Company, Inc.  
Bryan, Ohio 43506  
[www.bardhvac.com](http://www.bardhvac.com)

Manual: 2110-820C  
Supersedes: 2110-820B  
Date: 8-15-17

# CABINET COMPONENTS



This drawing to be used for reference for pages 3, 4, 5, 6, 7 and 8

# CABINET COMPONENTS

| Drawing No.                | Part No.       | Description                      | W42G3DAXB | W42G3DAXC | W42G3DAXD | W42G3DBXB | W42G3DBXC | W42G3DBXD | W42G3DCXB | W42G3DCXC | W42G3DCXD |
|----------------------------|----------------|----------------------------------|-----------|-----------|-----------|-----------|-----------|-----------|-----------|-----------|-----------|
| 1                          | 501-570-*      | Right Side Assembly              | X         | X         | X         | X         | X         | X         | X         | X         | X         |
| 2                          | S153-326-*     | Vestibule Service Door           | X         | X         | X         | X         | X         | X         | X         | X         | X         |
| 3                          | 105X1073       | Right Evaporator Support Angle   | X         | X         | X         | X         | X         | X         | X         | X         | X         |
| 4                          | 541-266        | Right Drain Pan Support Assembly | X         | X         | X         | X         | X         | X         | X         | X         | X         |
| 5                          | S523-123       | Drain Pan Assembly               | X         | X         | X         | X         | X         | X         | X         | X         | X         |
| 6                          | 105-1080       | Evaporator Coil Fill Angle       | X         | X         | X         | X         | X         | X         | X         | X         | X         |
| 7                          | 509-156        | Upper Back                       | X         | X         | X         | X         | X         | X         | X         | X         | X         |
| 8                          | 111-063        | Supply Air Frame                 | 2         | 2         | 2         | 2         | 2         | 2         | 2         | 2         | 2         |
| 9                          | 103-439        | Heat Exchanger Support Offset    | X         | X         | X         | X         | X         | X         | X         | X         | X         |
| 10                         | Heat Exch Assy | See Burner Components Diagram    |           |           |           |           |           |           |           |           |           |
| 11                         | 105-1066       | Top Heat Exchanger Deflector     | X         | X         | X         | X         | X         | X         | X         | X         | X         |
| 12                         | 135-216        | Inner Air Baffle                 | X         | X         | X         | X         | X         | X         | X         | X         | X         |
| 13                         | 165-563-*      | Top Rain Channel                 | X         | X         | X         | X         | X         | X         | X         | X         | X         |
| 14                         | 507-246-*      | Top Assembly                     | X         | X         | X         | X         | X         | X         | X         | X         | X         |
| 15                         | 135-184        | Right Heat Exchanger Deflector   | X         | X         | X         | X         | X         | X         | X         | X         | X         |
| 16                         | 105Y1073       | Left Evaporator Support Angle    | X         | X         | X         | X         | X         | X         | X         | X         | X         |
| 17                         | 105-1076       | Lower Heat Exchanger Deflector   | X         | X         | X         | X         | X         | X         | X         | X         | X         |
| 18                         | 501-571-*      | Left Side Assembly               | X         | X         | X         | X         | X         | X         | X         | X         | X         |
| 19                         | 543-070-*      | Left Access Cover                | X         | X         | X         | X         | X         | X         | X         | X         | X         |
| 20                         | 105-1070       | Left Support Angle               | X         | X         | X         | X         | X         | X         | X         | X         | X         |
| 21                         | S121-484       | Blower Partition                 | X         | X         | X         | X         | X         | X         | X         | X         | X         |
| 23                         | 131-163        | Filter Tray                      | X         | X         | X         | X         | X         | X         | X         | X         | X         |
| 24                         | 1921-051       | Vent Terminal Gasket             | X         | X         | X         | X         | X         | X         | X         | X         | X         |
| 25                         | 118-084-*      | Side Grille                      | 2         | 2         | 2         | 2         | 2         | 2         | 2         | 2         | 2         |
| <i>Continued on page 4</i> |                |                                  |           |           |           |           |           |           |           |           |           |

\* Exterior cabinet parts are manufactured with various paint color options. To ensure the proper paint color is received, reference the following codes: Beige -X, Buckeye Gray -4, Dark Bronze -8

**Refer to drawing on page 2**

# CABINET COMPONENTS

| Drawing No.                  | Part No.   | Description                         | W42G3DAXB | W42G3DAXC | W42G3DAXD | W42G3DBXB | W42G3DBXC | W42G3DBXD | W42G3DCXB | W42G3DCXC | W42G3DCXD |
|------------------------------|------------|-------------------------------------|-----------|-----------|-----------|-----------|-----------|-----------|-----------|-----------|-----------|
| <i>Continued from page 3</i> |            |                                     |           |           |           |           |           |           |           |           |           |
| 27                           | 553-562-*  | Filter Access Panel Assembly        | X         | X         | X         | X         | X         | X         | X         | X         | X         |
| 28                           | S553-561-* | Front Door Assembly                 | X         | X         | X         | X         | X         | X         | X         | X         | X         |
| 29                           | 553-327-*  | Vent Option Door Assembly           | X         | X         | X         | X         | X         | X         | X         | X         | X         |
| 30                           | 169-119    | Outer Vent Hood                     | X         | X         | X         | X         | X         | X         | X         | X         | X         |
| 31                           | 169-120    | Inner Vent Hood                     | X         | X         | X         | X         | X         | X         | X         | X         | X         |
| 32                           | WGBFAD-5   | Barometric Fresh Air Damper         | X         | X         | X         | X         | X         | X         | X         | X         | X         |
| 33                           | 118-048-*  | Condenser Grille                    | X         | X         | X         | X         | X         | X         | X         | X         | X         |
| 34                           | 549-131-*  | Right Front Corner Assembly         | X         | X         | X         | X         | X         | X         | X         | X         | X         |
| 35                           | S135-181-* | Air Intake Hood                     | X         | X         | X         | X         | X         | X         | X         | X         | X         |
| 36                           | S134-182-* | Air Intake Back                     | X         | X         | X         | X         | X         | X         | X         | X         | X         |
| 37                           | 125-024    | Fan Shroud                          | X         | X         | X         | X         | X         | X         | X         | X         | X         |
| 38                           | 542-136    | Condenser Partition Blank Off Plate | X         | X         | X         | X         | X         | X         | X         | X         | X         |
| 39                           | 541-398    | Heat Exchanger Support Assembly     | X         | X         | X         | X         | X         | X         | X         | X         | X         |
| 40                           | 142-071    | Filter Blank Off Plate              | X         | X         | X         | X         | X         | X         | X         | X         | X         |
| 41                           | 127-561    | Lower Base                          | X         | X         | X         | X         | X         | X         | X         | X         | X         |
| 42                           | 103-438    | Lower Base Offset                   | 3         | 3         | 3         | 3         | 3         | 3         | 3         | 3         | 3         |
| 43                           | S902-1484  | Control Panel Assembly              | X         | X         | X         |           |           |           |           |           |           |
| 43                           | S902-1485  | Control Panel Assembly              |           |           |           | X         | X         | X         |           |           |           |
| 43                           | S902-1486  | Control Panel Assembly              |           |           |           |           |           |           | X         | X         | X         |
| 44                           | 521-447    | Condenser Partition Assembly        | X         | X         | X         | X         | X         | X         | X         | X         | X         |
| 45                           | 509-157    | Lower Back Assembly                 | X         | X         | X         | X         | X         | X         | X         | X         | X         |
| 46                           | 113-268    | Manifold Bracket                    | X         | X         | X         | X         | X         | X         | X         | X         | X         |
| 47                           | 113-140    | Bottom Support Bracket              | X         | X         | X         | X         | X         | X         | X         | X         | X         |
| 48                           | S133-163   | Circuit Breaker Inner Door          | X         | X         | X         | X         | X         | X         |           |           |           |
| 48                           | S133-205   | Toggle Disconnect Inner Door        |           |           |           |           |           |           | X         | X         | X         |
| 49                           | S533-162-* | Control Panel Cover Assembly        | X         | X         | X         | X         | X         | X         | X         | X         | X         |
| 50                           | S153-328-* | Disconnect Access Door              | X         | X         | X         | X         | X         | X         | X         | X         | X         |
| 51                           | 134-193    | Conduit Access Panel                | X         | X         | X         | X         | X         | X         | X         | X         | X         |
| 52                           | 156-029    | Conduit Entrance Plate              | X         | X         | X         | X         | X         | X         | X         | X         | X         |
| 53                           | 553-388-*  | Upper Door Assembly                 | X         | X         | X         | X         | X         | X         | X         | X         | X         |

\* Exterior cabinet parts are manufactured with various paint color options. To ensure the proper paint color is received, reference the following codes: Beige -X, Buckeye Gray -4, Dark Bronze -8

**Refer to drawing on page 2**

# CABINET COMPONENTS

| Drawing No.                | Part No.       | Description                      | W48G3DAXB | W48G3DAXC | W48G3DAXD | W48G3DBXB | W48G3DBXC | W48G3DBXD | W48G3DCXB | W48G3DCXC | W48G3DCXD |
|----------------------------|----------------|----------------------------------|-----------|-----------|-----------|-----------|-----------|-----------|-----------|-----------|-----------|
| 1                          | 501-570-*      | Right Side Assembly              | X         | X         | X         | X         | X         | X         | X         | X         | X         |
| 2                          | S153-326-*     | Vestibule Service Door           | X         | X         | X         | X         | X         | X         | X         | X         | X         |
| 3                          | 105X1073       | Right Evaporator Support Angle   | X         | X         | X         | X         | X         | X         | X         | X         | X         |
| 4                          | 541-266        | Right Drain Pan Support Assembly | X         | X         | X         | X         | X         | X         | X         | X         | X         |
| 5                          | S523-123       | Drain Pan Assembly               | X         | X         | X         | X         | X         | X         | X         | X         | X         |
| 6                          | 105-1080       | Evaporator Coil Fill Angle       | X         | X         | X         | X         | X         | X         | X         | X         | X         |
| 7                          | 509-156        | Upper Back                       | X         | X         | X         | X         | X         | X         | X         | X         | X         |
| 8                          | 111-063        | Supply Air Frame                 | 2         | 2         | 2         | 2         | 2         | 2         | 2         | 2         | 2         |
| 9                          | 103-439        | Heat Exchanger Support Offset    | X         | X         | X         | X         | X         | X         | X         | X         | X         |
| 10                         | Heat Exch Assy | See Burner Components Diagram    |           |           |           |           |           |           |           |           |           |
| 11                         | 105-1066       | Top Heat Exchanger Deflector     | X         | X         | X         | X         | X         | X         | X         | X         | X         |
| 12                         | 135-216        | Inner Air Baffle                 | X         | X         | X         | X         | X         | X         | X         | X         | X         |
| 13                         | 165-563-*      | Top Rain Channel                 | X         | X         | X         | X         | X         | X         | X         | X         | X         |
| 14                         | 507-246-*      | Top Assembly                     | X         | X         | X         | X         | X         | X         | X         | X         | X         |
| 15                         | 135-184        | Right Heat Exchanger Deflector   | X         | X         | X         | X         | X         | X         | X         | X         | X         |
| 16                         | 105Y1073       | Left Evaporator Support Angle    | X         | X         | X         | X         | X         | X         | X         | X         | X         |
| 17                         | 105-1076       | Lower Heat Exchanger Deflector   | X         | X         | X         | X         | X         | X         | X         | X         | X         |
| 18                         | 501-571-*      | Left Side Assembly               | X         | X         | X         | X         | X         | X         | X         | X         | X         |
| 19                         | 543-070-*      | Left Access Cover                | X         | X         | X         | X         | X         | X         | X         | X         | X         |
| 20                         | 105-1070       | Left Support Angle               | X         | X         | X         | X         | X         | X         | X         | X         | X         |
| 21                         | S121-484       | Blower Partition                 | X         | X         | X         | X         | X         | X         | X         | X         | X         |
| 23                         | 131-163        | Filter Tray                      | X         | X         | X         | X         | X         | X         | X         | X         | X         |
| 24                         | 1921-051       | Vent Terminal Gasket             | X         | X         | X         | X         | X         | X         | X         | X         | X         |
| 25                         | 118-084-*      | Side Grille                      | 2         | 2         | 2         | 2         | 2         | 2         | 2         | 2         | 2         |
| <i>Continued on page 6</i> |                |                                  |           |           |           |           |           |           |           |           |           |

\* Exterior cabinet parts are manufactured with various paint color options. To ensure the proper paint color is received, reference the following codes: Beige -X, Buckeye Gray -4, Dark Bronze -8

Refer to drawing on page 2

# CABINET COMPONENTS

| Drawing No.                  | Part No.   | Description                         | W48G3DAXB | W48G3DAXC | W48G3DAXD | W48G3DBXB | W48G3DBXC | W48G3DBXD | W48G3DCXB | W48G3DCXC | W48G3DCXD |
|------------------------------|------------|-------------------------------------|-----------|-----------|-----------|-----------|-----------|-----------|-----------|-----------|-----------|
| <i>Continued from page 5</i> |            |                                     |           |           |           |           |           |           |           |           |           |
| 27                           | 553-562-*  | Filter Access Panel Assembly        | X         | X         | X         | X         | X         | X         | X         | X         | X         |
| 28                           | S553-561-* | Front Door Assembly                 | X         | X         | X         | X         | X         | X         | X         | X         | X         |
| 29                           | 553-327-*  | Vent Option Door Assembly           | X         | X         | X         | X         | X         | X         | X         | X         | X         |
| 30                           | 169-119    | Outer Vent Hood                     | X         | X         | X         | X         | X         | X         | X         | X         | X         |
| 31                           | 169-120    | Inner Vent Hood                     | X         | X         | X         | X         | X         | X         | X         | X         | X         |
| 32                           | WGBFAD-5   | Barometric Fresh Air Damper         | X         | X         | X         | X         | X         | X         | X         | X         | X         |
| 33                           | 118-048-*  | Condenser Grille                    | X         | X         | X         | X         | X         | X         | X         | X         | X         |
| 34                           | 549-131-*  | Right Front Corner Assembly         | X         | X         | X         | X         | X         | X         | X         | X         | X         |
| 35                           | S135-181-* | Air Intake Hood                     | X         | X         | X         | X         | X         | X         | X         | X         | X         |
| 36                           | S134-182-* | Air Intake Back                     | X         | X         | X         | X         | X         | X         | X         | X         | X         |
| 37                           | 125-024    | Fan Shroud                          | X         | X         | X         | X         | X         | X         | X         | X         | X         |
| 38                           | 542-136    | Condenser Partition Blank Off Plate | 2         | 2         | 2         | 2         | 2         | 2         | 2         | 2         | 2         |
| 39                           | 541-398    | Heat Exchanger Support Assembly     | X         | X         | X         | X         | X         | X         | X         | X         | X         |
| 40                           | 142-071    | Filter Blank Off Plate              | X         | X         | X         | X         | X         | X         | X         | X         | X         |
| 41                           | 127-561    | Lower Base                          | X         | X         | X         | X         | X         | X         | X         | X         | X         |
| 42                           | 103-438    | Lower Base Offset                   | 3         | 3         | 3         | 3         | 3         | 3         | 3         | 3         | 3         |
| 43                           | S902-1487  | Control Panel Assembly              | X         | X         | X         |           |           |           |           |           |           |
| 43                           | S902-1488  | Control Panel Assembly              |           |           |           | X         | X         | X         |           |           |           |
| 43                           | S902-1489  | Control Panel Assembly              |           |           |           |           |           |           | X         | X         | X         |
| 44                           | 521-447    | Condenser Partition Assembly        | X         | X         | X         | X         | X         | X         | X         | X         | X         |
| 45                           | 509-157    | Lower Back Assembly                 | X         | X         | X         | X         | X         | X         | X         | X         | X         |
| 46                           | 113-268    | Manifold Bracket                    | X         | X         | X         | X         | X         | X         | X         | X         | X         |
| 47                           | 113-140    | Bottom Support Bracket              | X         | X         | X         | X         | X         | X         | X         | X         | X         |
| 48                           | S133-163   | Circuit Breaker Inner Door          | X         | X         | X         | X         | X         |           |           |           |           |
| 48                           | S133-205   | Toggle Disconnect Inner Door        |           |           |           |           |           |           | X         | X         | X         |
| 49                           | S533-162-* | Control Panel Cover Assembly        | X         | X         | X         | X         | X         | X         | X         | X         | X         |
| 50                           | S153-328-* | Disconnect Access Door              | X         | X         | X         | X         | X         | X         | X         | X         | X         |
| 51                           | 134-193    | Conduit Access Panel                | X         | X         | X         | X         | X         | X         | X         | X         | X         |
| 52                           | 156-029    | Conduit Entrance Plate              | X         | X         | X         | X         | X         | X         | X         | X         | X         |
| 53                           | 553-388-*  | Upper Door Assembly                 | X         | X         | X         | X         | X         | X         | X         | X         | X         |

\* Exterior cabinet parts are manufactured with various paint color options. To ensure the proper paint color is received, reference the following codes: Beige -X, Buckeye Gray -4, Dark Bronze -8

**Refer to drawing on page 2**

# CABINET COMPONENTS

| Drawing No.                | Part No.       | Description                      | W60G3DAXB | W60G3DAXC | W60G3DAXD | W60G3DBXB | W60G3DBXC | W60G3DBXD | W60G3DCXB | W60G3DCXC | W60G3DCXD |
|----------------------------|----------------|----------------------------------|-----------|-----------|-----------|-----------|-----------|-----------|-----------|-----------|-----------|
| 1                          | 501-570-*      | Right Side Assembly              | X         | X         | X         | X         | X         | X         | X         | X         | X         |
| 2                          | S153-326-*     | Vestibule Service Door           | X         | X         | X         | X         | X         | X         | X         | X         | X         |
| 3                          | 105X1073       | Right Evaporator Support Angle   | X         | X         | X         | X         | X         | X         | X         | X         | X         |
| 4                          | 541-266        | Right Drain Pan Support Assembly | X         | X         | X         | X         | X         | X         | X         | X         | X         |
| 5                          | S523-123       | Drain Pan Assembly               | X         | X         | X         | X         | X         | X         | X         | X         | X         |
| 6                          | 105-1080       | Evaporator Coil Fill Angle       | X         | X         | X         | X         | X         | X         | X         | X         | X         |
| 7                          | 509-156        | Upper Back                       | X         | X         | X         | X         | X         | X         | X         | X         | X         |
| 8                          | 111-063        | Supply Air Frame                 | 2         | 2         | 2         | 2         | 2         | 2         | 2         | 2         | 2         |
| 9                          | 103-439        | Heat Exchanger Support Offset    | X         | X         | X         | X         | X         | X         | X         | X         | X         |
| 10                         | Heat Exch Assy | See Burner Components Diagram    |           |           |           |           |           |           |           |           |           |
| 11                         | 105-1066       | Top Heat Exchanger Deflector     | X         | X         | X         | X         | X         | X         | X         | X         | X         |
| 12                         | 135-216        | Inner Air Baffle                 | X         | X         | X         | X         | X         | X         | X         | X         | X         |
| 13                         | 165-563-*      | Top Rain Channel                 | X         | X         | X         | X         | X         | X         | X         | X         | X         |
| 14                         | 507-246-*      | Top Assembly                     | X         | X         | X         | X         | X         | X         | X         | X         | X         |
| 15                         | 135-184        | Right Heat Exchanger Deflector   | X         | X         | X         | X         | X         | X         | X         | X         | X         |
| 16                         | 105Y1073       | Left Evaporator Support Angle    | X         | X         | X         | X         | X         | X         | X         | X         | X         |
| 17                         | 105-1076       | Lower Heat Exchanger Deflector   | X         | X         | X         | X         | X         | X         | X         | X         | X         |
| 18                         | 501-571-*      | Left Side Assembly               | X         | X         | X         | X         | X         | X         | X         | X         | X         |
| 19                         | 543-070-*      | Left Access Cover                | X         | X         | X         | X         | X         | X         | X         | X         | X         |
| 20                         | 105-1070       | Left Support Angle               | X         | X         | X         | X         | X         | X         | X         | X         | X         |
| 21                         | S121-484       | Blower Partition                 | X         | X         | X         | X         | X         | X         | X         | X         | X         |
| 23                         | 131-163        | Filter Tray                      | X         | X         | X         | X         | X         | X         | X         | X         | X         |
| 24                         | 1921-051       | Vent Terminal Gasket             | X         | X         | X         | X         | X         | X         | X         | X         | X         |
| 25                         | 118-084-*      | Side Grille                      | 2         | 2         | 2         | 2         | 2         | 2         | 2         | 2         | 2         |
| <i>Continued on page 8</i> |                |                                  |           |           |           |           |           |           |           |           |           |

\* Exterior cabinet parts are manufactured with various paint color options. To ensure the proper paint color is received, reference the following codes: Beige -X, Buckeye Gray -4, Dark Bronze -8

**Refer to drawing on page 2**

# CABINET COMPONENTS

| Drawing No.                  | Part No.   | Description                         | W60G3DAXB | W60G3DAXC | W60G3DAXD | W60G3DBXB | W60G3DBXC | W60G3DBXD | W60G3DCXB | W60G3DCXC | W60G3DCXD |
|------------------------------|------------|-------------------------------------|-----------|-----------|-----------|-----------|-----------|-----------|-----------|-----------|-----------|
| <i>Continued from page 7</i> |            |                                     |           |           |           |           |           |           |           |           |           |
| 27                           | 553-562-*  | Filter Access Panel Assembly        | X         | X         | X         | X         | X         | X         | X         | X         | X         |
| 28                           | S553-561-* | Front Door Assembly                 | X         | X         | X         | X         | X         | X         | X         | X         | X         |
| 29                           | 553-327-*  | Vent Option Door Assembly           | X         | X         | X         | X         | X         | X         | X         | X         | X         |
| 30                           | 169-119    | Outer Vent Hood                     | X         | X         | X         | X         | X         | X         | X         | X         | X         |
| 31                           | 169-120    | Inner Vent Hood                     | X         | X         | X         | X         | X         | X         | X         | X         | X         |
| 32                           | WGBFAD-5   | Barometric Fresh Air Damper         | X         | X         | X         | X         | X         | X         | X         | X         | X         |
| 33                           | 118-048-*  | Condenser Grille                    | X         | X         | X         | X         | X         | X         | X         | X         | X         |
| 34                           | 549-131-*  | Right Front Corner Assembly         | X         | X         | X         | X         | X         | X         | X         | X         | X         |
| 35                           | S135-181-* | Air Intake Hood                     | X         | X         | X         | X         | X         | X         | X         | X         | X         |
| 36                           | S134-182-* | Air Intake Back                     | X         | X         | X         | X         | X         | X         | X         | X         | X         |
| 37                           | 125-024    | Fan Shroud                          | X         | X         | X         | X         | X         | X         | X         | X         | X         |
| 38                           | 542-136    | Condenser Partition Blank Off Plate | 2         | 2         | 2         | 2         | 2         | 2         | 2         | 2         | 2         |
| 39                           | 541-398    | Heat Exchanger Support Assembly     | X         | X         | X         | X         | X         | X         | X         | X         | X         |
| 40                           | 142-071    | Filter Blank Off Plate              | X         | X         | X         | X         | X         | X         | X         | X         | X         |
| 41                           | 127-561    | Lower Base                          | X         | X         | X         | X         | X         | X         | X         | X         | X         |
| 42                           | 103-438    | Lower Base Offset                   | 3         | 3         | 3         | 3         | 3         | 3         | 3         | 3         | 3         |
| 43                           | S902-1490  | Control Panel Assembly              | X         | X         | X         |           |           |           |           |           |           |
| 43                           | S902-1491  | Control Panel Assembly              |           |           |           | X         | X         | X         |           |           |           |
| 43                           | S902-1489  | Control Panel Assembly              |           |           |           |           |           |           | X         | X         | X         |
| 44                           | 521-447    | Condenser Partition Assembly        | X         | X         | X         | X         | X         | X         | X         | X         | X         |
| 45                           | 509-157    | Lower Back Assembly                 | X         | X         | X         | X         | X         | X         | X         | X         | X         |
| 46                           | 113-268    | Manifold Bracket                    | X         | X         | X         | X         | X         | X         | X         | X         | X         |
| 47                           | 113-140    | Bottom Support Bracket              | X         | X         | X         | X         | X         | X         | X         | X         | X         |
| 48                           | S133-163   | Circuit Breaker Inner Door          | X         | X         | X         | X         | X         | X         |           |           |           |
| 48                           | S133-205   | Toggle Disconnect Inner Door        |           |           |           |           |           |           | X         | X         | X         |
| 49                           | S533-162-* | Control Panel Cover Assembly        | X         | X         | X         | X         | X         | X         | X         | X         | X         |
| 50                           | S153-328-* | Disconnect Access Door              | X         | X         | X         | X         | X         | X         | X         | X         | X         |
| 51                           | 134-193    | Conduit Access Panel                | X         | X         | X         | X         | X         | X         | X         | X         | X         |
| 52                           | 156-029    | Conduit Entrance Plate              | X         | X         | X         | X         | X         | X         | X         | X         | X         |
| 53                           | 553-388-*  | Upper Door Assembly                 | X         | X         | X         | X         | X         | X         | X         | X         | X         |

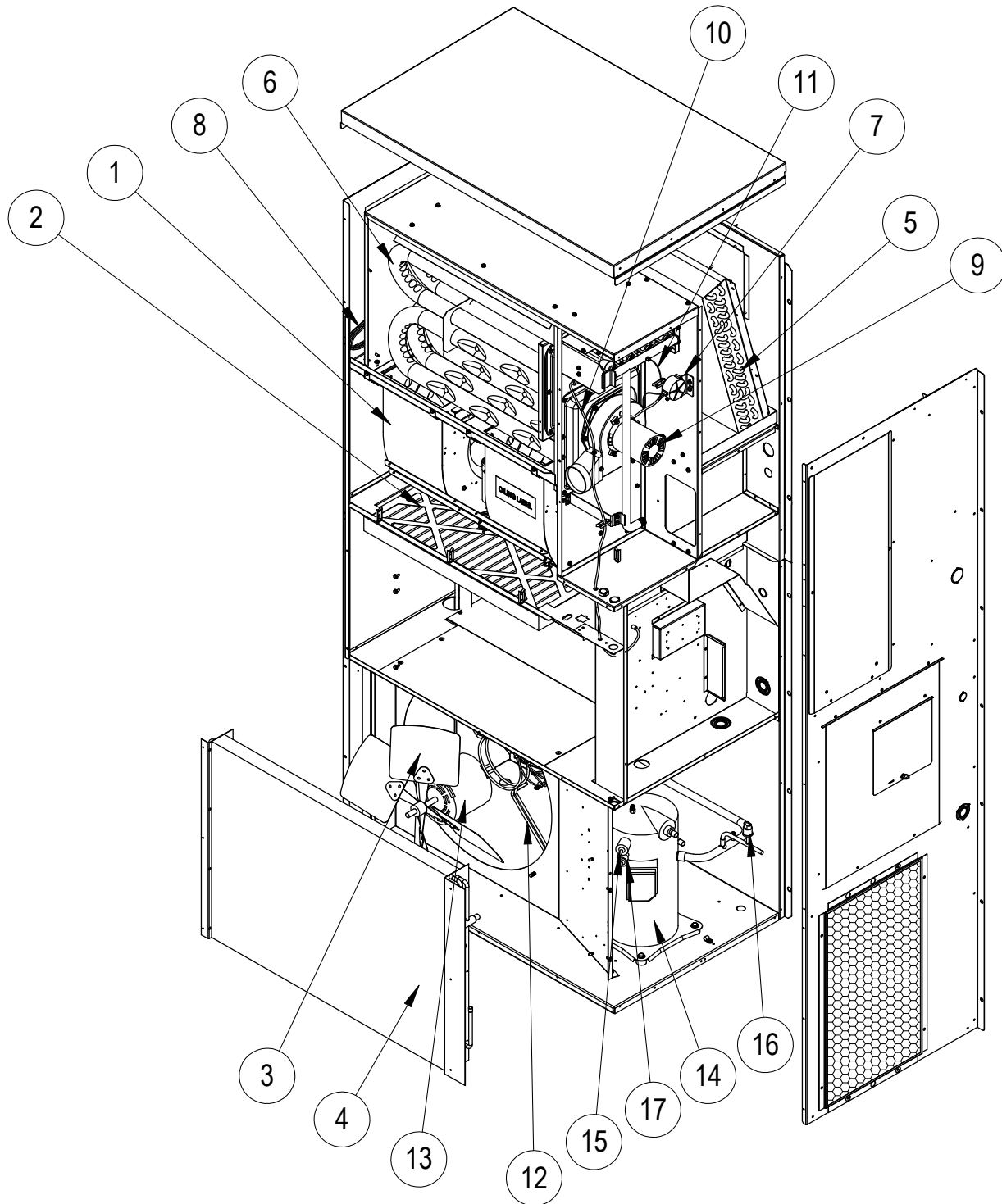
\* Exterior cabinet parts are manufactured with various paint color options. To ensure the proper paint color is received, reference the following codes: Beige -X, Buckeye Gray -4, Dark Bronze -8

**Refer to drawing on page 2**



***This page intentionally left blank***

# FUNCTIONAL COMPONENTS



SEXP-677

This drawing to be used for reference for pages 11, 12 and 13

# FUNCTIONAL COMPONENTS

| Drawing No. | Part No.   | Description                            | W42G3DAXB | W42G3DAXC | W42G3DAXD | W42G3DBXB | W42G3DBXC | W42G3DBXD | W42G3DCXB | W42G3DCXC | W42G3DCXD |
|-------------|------------|--|-----------|-----------|-----------|-----------|-----------|-----------|-----------|-----------|-----------|
| 1           | S900-249   | Complete Blower Assembly 230/208       | X         | X         | X         | X         | X         | X         |           |           |           |
| 1           | S900-277   | Complete Blower Assembly 460V          |           |           |           |           |           |           | X         | X         | X         |
| 2           | 7004-027   | 20 x 30 x 2 Pleated Filter (Standard)  | X         | X         | X         | X         | X         | X         | X         | X         | X         |
| 2           | 7003-030   | 20 x 30 x 1 AF Filter (Optional)       | X         | X         | X         | X         | X         | X         | X         | X         | X         |
| 3           | 5151-027   | Fan Blade                              | X         | X         | X         | X         | X         | X         | X         | X         | X         |
| 4           | 5051-179BX | Coil                                   | X         | X         | X         | X         | X         | X         | X         | X         | X         |
| 5           | 5060-106BX | Coil                                   | X         | X         | X         | X         | X         | X         | X         | X         | X         |
| 6           | Heat Exch. | See Burner Components Diagram          | X         | X         | X         | X         | X         | X         | X         | X         | X         |
| 7           | 8406-103   | .55" + .05" Pressure Switch            | X         | X         | X         | X         | X         | X         | X         | X         | X         |
| 8           | 5625-043   | Drain Back Orifice                     | X         | X         | X         | X         | X         | X         | X         | X         | X         |
| 9           | 8109-014   | Induced Draft Blower 230V w/Transition | X         | X         | X         | X         | X         |           |           |           |           |
| 9           | 8109-015   | Induced Draft Blower 460V w/Transition |           |           |           |           |           |           | X         | X         | X         |
| 10          | 8600-011   | Suppression Ignition Cable             | X         | X         | X         | X         | X         | X         | X         | X         | X         |
| 11          | 3000-1121  | Wire Assembly                          | X         | X         | X         | X         | X         |           |           |           |           |
| 11          | 3000-1124  | Wire Assembly                          |           |           |           |           |           |           | X         | X         | X         |
| 12          | 8200-004   | Fan Motor Mount                        | X         | X         | X         | X         | X         | X         | X         | X         | X         |
| 13          | 8105-066   | Motor 230/208V                         | X         | X         | X         | X         | X         |           |           |           |           |
| 13          | 8105-030   | Motor 460V                             |           |           |           |           |           |           | X         | X         | X         |
| 14          | 8000-318   | Compressor ZP39K5E-PFV                 | X         | X         | X         |           |           |           |           |           |           |
| 14          | 8000-319   | Compressor ZP39K5E-TF5                 |           |           |           | X         | X         | X         |           |           |           |
| 14          | 8000-320   | Compressor ZP39K5E-TFD                 |           |           |           |           |           |           | X         | X         | X         |
| 15          | 1804-0462  | High Pressure Switch (Flare)           | X         | X         | X         | X         | X         | X         | X         | X         | X         |
| 16          | 1804-0386  | Low Pressure Switch (Flare)            | X         | X         | X         | X         | X         | X         | X         | X         | X         |
| 17          | CMA-28     | Low Ambient Control (Opt.)             | X         | X         | X         | X         | X         | X         | X         | X         | X         |
| NS          | 8408-048   | Freeze Thermostat                      | X         | X         | X         | X         | X         | X         | X         | X         | X         |
| NS          | 5625-008   | Distributor                            | X         | X         | X         | X         | X         | X         | X         | X         | X         |
| NS          | 5651-207   | Expansion Valve                        | X         | X         | X         | X         | X         | X         | X         | X         | X         |
| NS          | 5651-146   | Check Valve                            | X         | X         | X         | X         | X         | X         | X         | X         | X         |
| NS          | 5650-044   | Molded Plug                            | X         | X         | X         | X         | X         | X         | X         | X         | X         |
| NS          | 5650-045   | Three Way Valve with Solenoid          | X         | X         | X         | X         | X         | X         | X         | X         | X         |
| NS          | 5051-102BX | Reheat Coil                            | X         | X         | X         | X         | X         | X         | X         | X         | X         |
| NS          | 5201-018   | Filter Drier                           | X         | X         | X         | X         | X         | X         | X         | X         | X         |
| NS          | 5650-046   | Solenoid Coil 24V                      | X         | X         | X         | X         | X         | X         | X         | X         | X         |
| NS          | S400-0183  | Orifice Parts Bag 3 Tube 75K           | X         |           |           | X         |           |           | X         |           |           |
| NS          | S400-0184  | Orifice Parts Bag 4 Tube 100K          |           | X         |           |           | X         |           |           | X         |           |
| NS          | S400-0185  | Orifice Parts Bag 5 Tube 125K          |           |           | X         |           |           | X         |           |           | X         |
| NS          | 6031-009   | Coremax Valve Core                     | X         | X         | X         | X         | X         | X         | X         | X         | X         |

NS – Not Shown

Refer to drawing on page 10

# FUNCTIONAL COMPONENTS

| Drawing No. | Part No.   | Description                            | W48G3DAXB | W48G3DAXC | W48G3DAXD | W48G3DBXB | W48G3DBXC | W48G3DBXD | W48G3DCXB | W48G3DCXC | W48G3DCXD |
|-------------|------------|--|-----------|-----------|-----------|-----------|-----------|-----------|-----------|-----------|-----------|
| 1           | S900-249   | Complete Blower Assembly 230/208       | X         | X         | X         | X         | X         | X         |           |           |           |
| 1           | S900-277   | Complete Blower Assembly 460V          |           |           |           |           |           |           | X         | X         | X         |
| 2           | 7004-027   | 20 x 30 x 2 Pleated Filter (Standard)  | X         | X         | X         | X         | X         | X         | X         | X         | X         |
| 2           | 7003-030   | 20 x 30 x 1 AF Filter (Optional)       | X         | X         | X         | X         | X         | X         | X         | X         | X         |
| 3           | 5151-027   | Fan Blade                              | X         | X         | X         | X         | X         | X         | X         | X         | X         |
| 4           | 5051-180BX | Coil                                   | X         | X         | X         | X         | X         | X         | X         | X         | X         |
| 5           | 5060-106BX | Coil                                   | X         | X         | X         | X         | X         | X         | X         | X         | X         |
| 6           | Heat Exch. | See Burner Components Diagram          | X         | X         | X         | X         | X         | X         | X         | X         | X         |
| 7           | 8406-103   | .55" + .05" Pressure Switch            | X         | X         | X         | X         | X         | X         | X         | X         | X         |
| 8           | 5625-043   | Drain Back Orifice                     | X         | X         | X         | X         | X         | X         | X         | X         | X         |
| 9           | 8109-014   | Induced Draft Blower 230V w/Transition | X         | X         | X         | X         | X         | X         |           |           |           |
| 9           | 8109-015   | Induced Draft Blower 460V w/Transition |           |           |           |           |           |           | X         | X         | X         |
| 10          | 8600-011   | Suppression Ignition Cable             | X         | X         | X         | X         | X         | X         | X         | X         | X         |
| 11          | 3000-1121  | Wire Assembly                          | X         | X         | X         | X         | X         | X         |           |           |           |
| 11          | 3000-1124  | Wire Assembly                          |           |           |           |           |           |           | X         | X         | X         |
| 12          | 8200-004   | Fan Motor Mount                        | X         | X         | X         | X         | X         | X         | X         | X         | X         |
| 13          | 8105-066   | Motor 230/208V                         | X         | X         | X         | X         | X         | X         |           |           |           |
| 13          | 8105-030   | Motor 460V                             |           |           |           |           |           |           | X         | X         | X         |
| 14          | 8000-332   | Compressor ZP42K5E-PFV                 | X         | X         | X         |           |           |           |           |           |           |
| 14          | 8000-333   | Compressor ZP42K5E-TF5                 |           |           |           | X         | X         | X         |           |           |           |
| 14          | 8000-334   | Compressor ZP42K5E-TFD                 |           |           |           |           |           |           | X         | X         | X         |
| 15          | 1804-0462  | High Pressure Switch (Flare)           | X         | X         | X         | X         | X         | X         | X         | X         | X         |
| 16          | 1804-0386  | Low Pressure Switch (Flare)            | X         | X         | X         | X         | X         | X         | X         | X         | X         |
| 17          | CMA-28     | Low Ambient Control (Opt.)             | X         | X         | X         | X         | X         | X         | X         | X         | X         |
| NS          | 8408-048   | Freeze Thermostat                      | X         | X         | X         | X         | X         | X         | X         | X         | X         |
| NS          | 5625-008   | Distributor                            | X         | X         | X         | X         | X         | X         | X         | X         | X         |
| NS          | 5651-208   | Expansion Valve                        | X         | X         | X         | X         | X         | X         | X         | X         | X         |
| NS          | 5651-146   | Check Valve                            | X         | X         | X         | X         | X         | X         | X         | X         | X         |
| NS          | 5650-044   | Molded Plug                            | X         | X         | X         | X         | X         | X         | X         | X         | X         |
| NS          | 5650-045   | Three Way Valve with Solenoid          | X         | X         | X         | X         | X         | X         | X         | X         | X         |
| NS          | 5051-102BX | Reheat Coil                            | X         | X         | X         | X         | X         | X         | X         | X         | X         |
| NS          | 5201-018   | Filter Drier                           | X         | X         | X         | X         | X         | X         | X         | X         | X         |
| NS          | 5650-046   | Solenoid Coil 24V                      | X         | X         | X         | X         | X         | X         | X         | X         | X         |
| NS          | S400-0183  | Orifice Parts Bag 3 Tube 75K           | X         |           |           | X         |           |           | X         |           |           |
| NS          | S400-0184  | Orifice Parts Bag 4 Tube 100K          |           | X         |           |           | X         |           |           | X         |           |
| NS          | S400-0185  | Orifice Parts Bag 5 Tube 125K          |           |           | X         |           |           | X         |           |           | X         |
| NS          | 6031-009   | Coremax Valve Core                     | X         | X         | X         | X         | X         | X         | X         | X         | X         |

NS – Not Shown

Refer to drawing on page 10

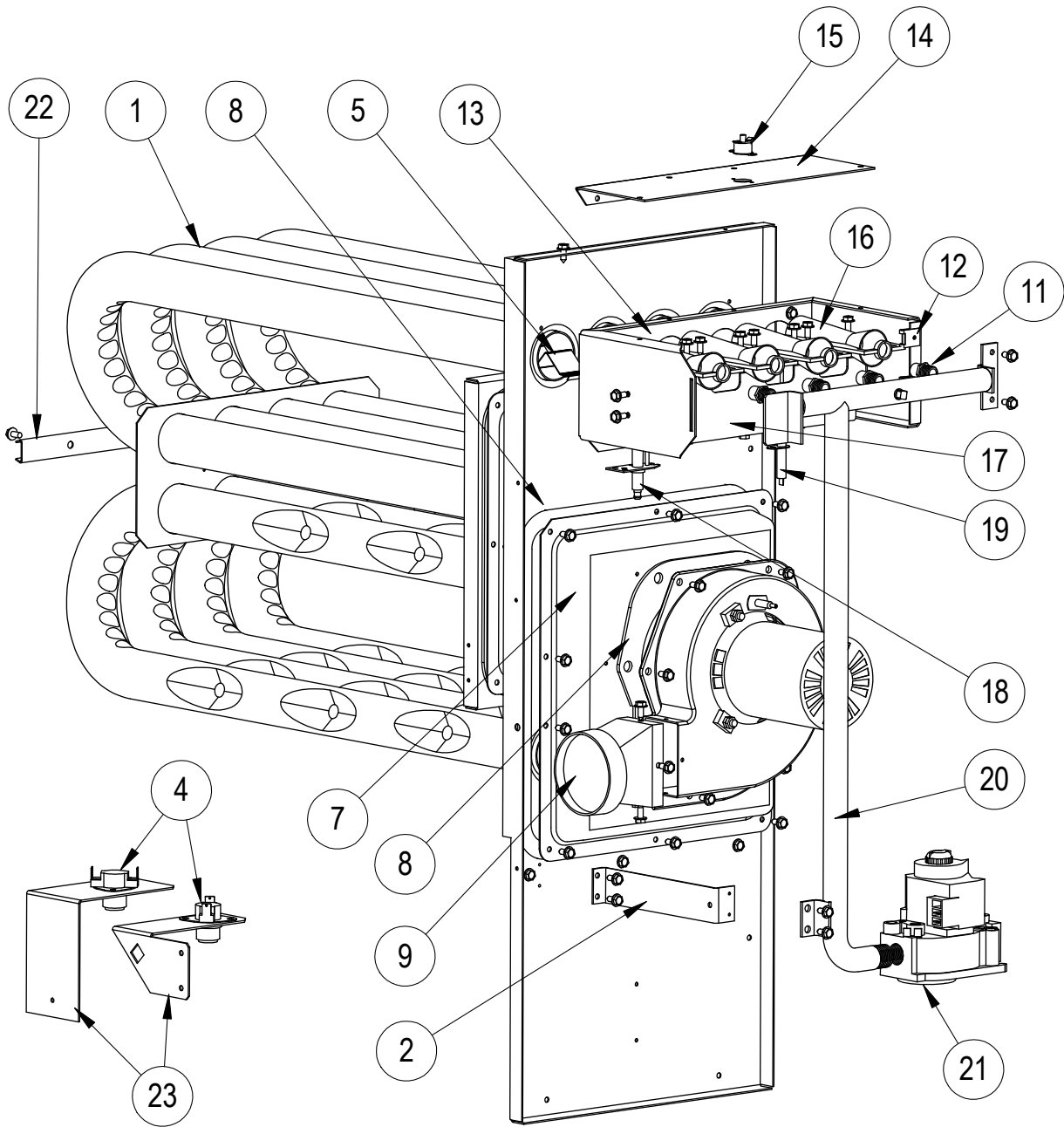
# FUNCTIONAL COMPONENTS

| Drawing No. | Part No.   | Description                            | W60G3DAXB | W60G3DAXC | W60G3DAXD | W48G3DBXB | W60G3DBXC | W60G3DBXD | W60G3DCXB | W60G3DCXC | W60G3DCXD |
|-------------|------------|--|-----------|-----------|-----------|-----------|-----------|-----------|-----------|-----------|-----------|
| 1           | S900-249   | Complete Blower Assembly 230/208       | X         | X         | X         | X         | X         | X         |           |           |           |
| 1           | S900-277   | Complete Blower Assembly 460V          |           |           |           |           |           |           | X         | X         | X         |
| 2           | 7004-027   | 20 x 30 x 2 Pleated Filter (Standard)  | X         | X         | X         | X         | X         | X         | X         | X         | X         |
| 2           | 7003-030   | 20 x 30 x 1 AF Filter (Optional)       | X         | X         | X         | X         | X         | X         | X         | X         | X         |
| 3           | 5151-027   | Fan Blade                              | X         | X         | X         | X         | X         | X         | X         | X         | X         |
| 4           | 5051-180BX | Coil                                   | X         | X         | X         | X         | X         | X         | X         | X         | X         |
| 5           | 5060-105BX | Coil                                   | X         | X         | X         | X         | X         | X         | X         | X         | X         |
| 6           | Heat Exch. | See Burner Components Diagram          | X         | X         | X         | X         | X         | X         | X         | X         | X         |
| 7           | 8406-103   | .55" + .05" Pressure Switch            | X         | X         | X         | X         | X         | X         | X         | X         | X         |
| 8           | 5625-043   | Drain Back Orifice                     | X         | X         | X         | X         | X         | X         | X         | X         | X         |
| 9           | 8109-014   | Induced Draft Blower 230V w/Transition | X         | X         | X         | X         | X         |           |           |           |           |
| 9           | 8109-015   | Induced Draft Blower 460V w/Transition |           |           |           |           |           |           | X         | X         | X         |
| 10          | 8600-011   | Suppression Ignition Cable             | X         | X         | X         | X         | X         | X         | X         | X         | X         |
| 11          | 3000-1121  | Wire Assembly                          | X         | X         | X         | X         | X         |           |           |           |           |
| 11          | 3000-1124  | Wire Assembly                          |           |           |           |           |           |           | X         | X         | X         |
| 12          | 8200-004   | Fan Motor Mount                        | X         | X         | X         | X         | X         | X         | X         | X         | X         |
| 13          | 8105-066   | Motor 230/208V                         | X         | X         | X         | X         | X         |           |           |           |           |
| 13          | 8105-030   | Motor 460V                             |           |           |           |           |           |           | X         | X         | X         |
| 14          | 8000-324   | Compressor ZP54K5E-PFV                 | X         | X         | X         |           |           |           |           |           |           |
| 14          | 8000-325   | Compressor ZP54K5E-TF5                 |           |           |           | X         | X         | X         |           |           |           |
| 14          | 8000-326   | Compressor ZP54K5E-TFD                 |           |           |           |           |           |           | X         | X         | X         |
| 15          | 1804-0462  | High Pressure Switch (Flare)           | X         | X         | X         | X         | X         | X         | X         | X         | X         |
| 16          | 1804-0386  | Low Pressure Switch (Flare)            | X         | X         | X         | X         | X         | X         | X         | X         | X         |
| 17          | CMA-28     | Low Ambient Control (Opt.)             | X         | X         | X         | X         | X         | X         | X         | X         | X         |
| NS          | 8408-048   | Freeze Thermostat                      | X         | X         | X         | X         | X         | X         | X         | X         | X         |
| NS          | 5625-036   | Distributor                            | X         | X         | X         | X         | X         | X         | X         | X         | X         |
| NS          | 5651-208   | Expansion Valve                        | X         | X         | X         | X         | X         | X         | X         | X         | X         |
| NS          | 5651-146   | Check Valve                            | X         | X         | X         | X         | X         | X         | X         | X         | X         |
| NS          | 5650-044   | Molded Plug                            | X         | X         | X         | X         | X         | X         | X         | X         | X         |
| NS          | 5650-045   | Three Way Valve with Solenoid          | X         | X         | X         | X         | X         | X         | X         | X         | X         |
| NS          | 5051-102BX | Reheat Coil                            | X         | X         | X         | X         | X         | X         | X         | X         | X         |
| NS          | 5201-018   | Filter Drier                           | X         | X         | X         | X         | X         | X         | X         | X         | X         |
| NS          | 5650-046   | Solenoid Coil 24V                      | X         | X         | X         | X         | X         | X         | X         | X         | X         |
| NS          | S400-0183  | Orifice Parts Bag 3 Tube 75K           | X         |           |           | X         |           |           | X         |           |           |
| NS          | S400-0184  | Orifice Parts Bag 4 Tube 100K          |           | X         |           |           | X         |           |           | X         |           |
| NS          | S400-0185  | Orifice Parts Bag 5 Tube 125K          |           |           | X         |           |           | X         |           |           | X         |
| NS          | 6031-009   | Coremax Valve Core                     | X         | X         | X         | X         | X         | X         | X         | X         | X         |

NS – Not Shown

Refer to drawing on page 10

# BURNER COMPONENTS



SEXP-678 A

This drawing to be used for reference for pages 15, 16 and 17

# BURNER COMPONENTS

| Drawing No. | Part No.      | Description                                  | W42G3D*XB | W42G3D*NB | W42G3D*XC | W42G3D*NC | W42G3D*XD | W42G3D*ND |
|-------------|---------------|--|-----------|-----------|-----------|-----------|-----------|-----------|
| 1           | S171-315      | Heat Exchanger Assembly 75K                  | X         | X         |           |           |           |           |
| 1           | S171-317      | Heat Exchanger Assembly 100K                 |           |           | X         | X         |           |           |
| 1           | S171-319      | Heat Exchanger Assembly 125K                 |           |           |           |           | X         | X         |
| 2           | 113-268       | Manifold Bracket                             | X         | X         | X         | X         | X         | X         |
| 4           | 8402-180      | Limit Control L140-30                        | X         | X         |           |           |           |           |
| 4           | 8402-178      | Limit Control L120-30                        |           |           | X         | X         |           |           |
| 4           | 8402-177      | Limit Control L115-30                        |           |           |           |           | X         | X         |
| 5           | 9010-083      | NOx Screen                                   |           | 3         |           | 4         |           | 5         |
| 6           | 1921-025-4600 | 46" Glas-Tak Tape                            | X         | X         | X         | X         | X         | X         |
| 7           | 168-126       | Collector Box                                | X         | X         |           |           |           |           |
| 7           | 168-127       | Collector Box                                |           |           | X         | X         |           |           |
| 7           | 168-128       | Collector Box                                |           |           |           |           | X         | X         |
| 8           | 1921-044      | Gasket Set                                   | X         | X         | X         | X         | X         | X         |
| 9           | 5809-013      | 3" Cast Inducer Transition                   | X         | X         | X         | X         | X         | X         |
| 10          | 5809-017      | 3.031" x 4.625" Transition                   | X         | X         | X         | X         | X         | X         |
| 11          | 9010-079      | Orifice 2.40mm (.0960 diameter)              | 3         |           | 4         |           | 5         | 5         |
| 11          | 9010-082      | Orifice 2.30mm (10% derate & .0905 diameter) | 3         | 3         | 4         | 4         | 5         | 5         |
| 12          | 1012-314      | U Clip Fastener                              | 4         | 4         | 4         | 4         | 4         | 4         |
| 13          | 163-049       | Burner Box                                   | X         | X         |           |           |           |           |
| 13          | 163-052       | Burner Box                                   |           |           | X         | X         |           |           |
| 13          | 163-051       | Burner Box                                   |           |           |           |           | X         | X         |
| 14          | 141-440       | Flame Rollout Support                        | X         | X         |           |           |           |           |
| 14          | 141-438       | Flame Rollout Support                        |           |           | X         | X         |           |           |
| 14          | 141-439       | Flame Rollout Support                        |           |           |           |           | X         | X         |
| 15          | 8402-124      | Flame Rollout Switch L270                    | X         | X         | X         | X         | X         | X         |
| 16          | 9010-078      | In-Shot Burner 2.5 x 4.5                     | 3         | 3         | 4         | 4         | 5         | 5         |
| 17          | 163-048       | Burner Support                               | X         | X         |           |           |           |           |
| 17          | 163-041       | Burner Support                               |           |           | X         | X         |           |           |
| 17          | 163-043       | Burner Support                               |           |           |           |           | X         | X         |
| 18          | 8554-024      | DSI Spark Igniter                            | X         | X         | X         | X         | X         | X         |
| 19          | 8554-025      | Flame Sensor                                 | X         | X         | X         | X         | X         | X         |
| 20          | 5818-054      | 2-Hole Gas Manifold - 1/2"                   | X         | X         |           |           |           |           |
| 20          | 5818-055      | 3-Hole Gas Manifold - 1/2"                   |           |           | X         | X         |           |           |
| 20          | 5818-056      | 4-Hole Gas Manifold - 1/2"                   |           |           |           |           | X         | X         |
| 21          | 5651-160      | Natural Gas Valve 1/2 x 1/2                  | X         | X         | X         | X         | X         | X         |
| 22          | 168-140       | Tube Brace 2 Burner                          | X         | X         |           |           |           |           |
| 22          | 168-135       | Tube Brace 3 Burner                          |           |           | X         | X         |           |           |
| 22          | 168-134       | Tube Brace 4 Burner                          |           |           |           |           | X         | X         |
| 23          | 112-355       | Limit Bracket                                | X         | X         |           |           |           |           |
| 23          | 112-475       | Limit Bracket                                |           |           | X         | X         | X         | X         |
| NS          | 8600-011      | Ignition Cable                               | X         | X         | X         | X         | X         | X         |

NS – Not Shown

Refer to drawing on page 14

# BURNER COMPONENTS

| Drawing No. | Part No.      | Description                                  | W48G3D*XB | W48G3D*NB | W48G3D*XC | W48G3D*NC | W48G3D*XD | W48G3D*ND |
|-------------|---------------|--|-----------|-----------|-----------|-----------|-----------|-----------|
| 1           | S171-315      | Heat Exchanger Assembly 75K                  | X         | X         |           |           |           |           |
| 1           | S171-317      | Heat Exchanger Assembly 100K                 |           |           | X         | X         |           |           |
| 1           | S171-319      | Heat Exchanger Assembly 125K                 |           |           |           |           | X         | X         |
| 2           | 113-268       | Manifold Bracket                             | X         | X         | X         | X         | X         | X         |
| 4           | 8402-180      | Limit Control L140-30                        | X         | X         |           |           |           |           |
| 4           | 8402-178      | Limit Control L120-30                        |           |           | X         | X         |           |           |
| 4           | 8402-177      | Limit Control L115-30                        |           |           |           |           | X         | X         |
| 5           | 9010-083      | NOx Screen                                   |           | 3         |           | 4         |           | 5         |
| 6           | 1921-025-4600 | 46" Glas-Tak Tape                            | X         | X         | X         | X         | X         | X         |
| 7           | 168-126       | Collector Box                                | X         | X         |           |           |           |           |
| 7           | 168-127       | Collector Box                                |           |           | X         | X         |           |           |
| 7           | 168-128       | Collector Box                                |           |           |           |           | X         | X         |
| 8           | 1921-044      | Gasket Set                                   | X         | X         | X         | X         | X         | X         |
| 9           | 5809-013      | 3" Cast Inducer Transition                   | X         | X         | X         | X         | X         | X         |
| 10          | 5809-017      | 3.031" x 4.625" Transition                   | X         | X         | X         | X         | X         | X         |
| 11          | 9010-079      | Orifice 2.40mm (.0960 diameter)              | 3         |           | 4         |           | 5         | 5         |
| 11          | 9010-082      | Orifice 2.30mm (10% derate & .0905 diameter) | 3         | 3         | 4         | 4         | 5         | 5         |
| 12          | 1012-314      | U Clip Fastener                              | 4         | 4         | 4         | 4         | 4         | 4         |
| 13          | 163-049       | Burner Box                                   | X         | X         |           |           |           |           |
| 13          | 163-052       | Burner Box                                   |           |           | X         | X         |           |           |
| 13          | 163-051       | Burner Box                                   |           |           |           |           | X         | X         |
| 14          | 141-440       | Flame Rollout Support                        | X         | X         |           |           |           |           |
| 14          | 141-438       | Flame Rollout Support                        |           |           | X         | X         |           |           |
| 14          | 141-439       | Flame Rollout Support                        |           |           |           |           | X         | X         |
| 15          | 8402-124      | Flame Rollout Switch L270                    | X         | X         | X         | X         | X         | X         |
| 16          | 9010-078      | In-Shot Burner 2.5 x 4.5                     | 3         | 3         | 4         | 4         | 5         | 5         |
| 17          | 163-041       | Burner Support                               | X         | X         |           |           |           |           |
| 17          | 163-043       | Burner Support                               |           |           | X         | X         |           |           |
| 17          | 163-045       | Burner Support                               |           |           |           |           | X         | X         |
| 18          | 8554-024      | DSI Spark Igniter                            | X         | X         | X         | X         | X         | X         |
| 19          | 8554-025      | Flame Sensor                                 | X         | X         | X         | X         | X         | X         |
| 20          | 5818-054      | 2-Hole Gas Manifold - 1/2"                   | X         | X         |           |           |           |           |
| 20          | 5818-055      | 3-Hole Gas Manifold - 1/2"                   |           |           | X         | X         |           |           |
| 20          | 5818-056      | 4-Hole Gas Manifold - 1/2"                   |           |           |           |           | X         | X         |
| 21          | 5651-160      | Natural Gas Valve 1/2 x 1/2                  | X         | X         | X         | X         | X         | X         |
| 22          | 168-140       | Tube Brace 2 Burner                          | X         | X         |           |           |           |           |
| 22          | 168-135       | Tube Brace 3 Burner                          |           |           | X         | X         |           |           |
| 22          | 168-134       | Tube Brace 4 Burner                          |           |           |           |           | X         | X         |
| 23          | 112-355       | Limit Bracket                                | X         | X         |           |           |           |           |
| 23          | 112-475       | Limit Bracket                                |           |           | X         | X         | X         | X         |
| NS          | 8600-011      | Ignition Cable                               | X         | X         | X         | X         | X         | X         |

NS – Not Shown

Refer to drawing on page 14



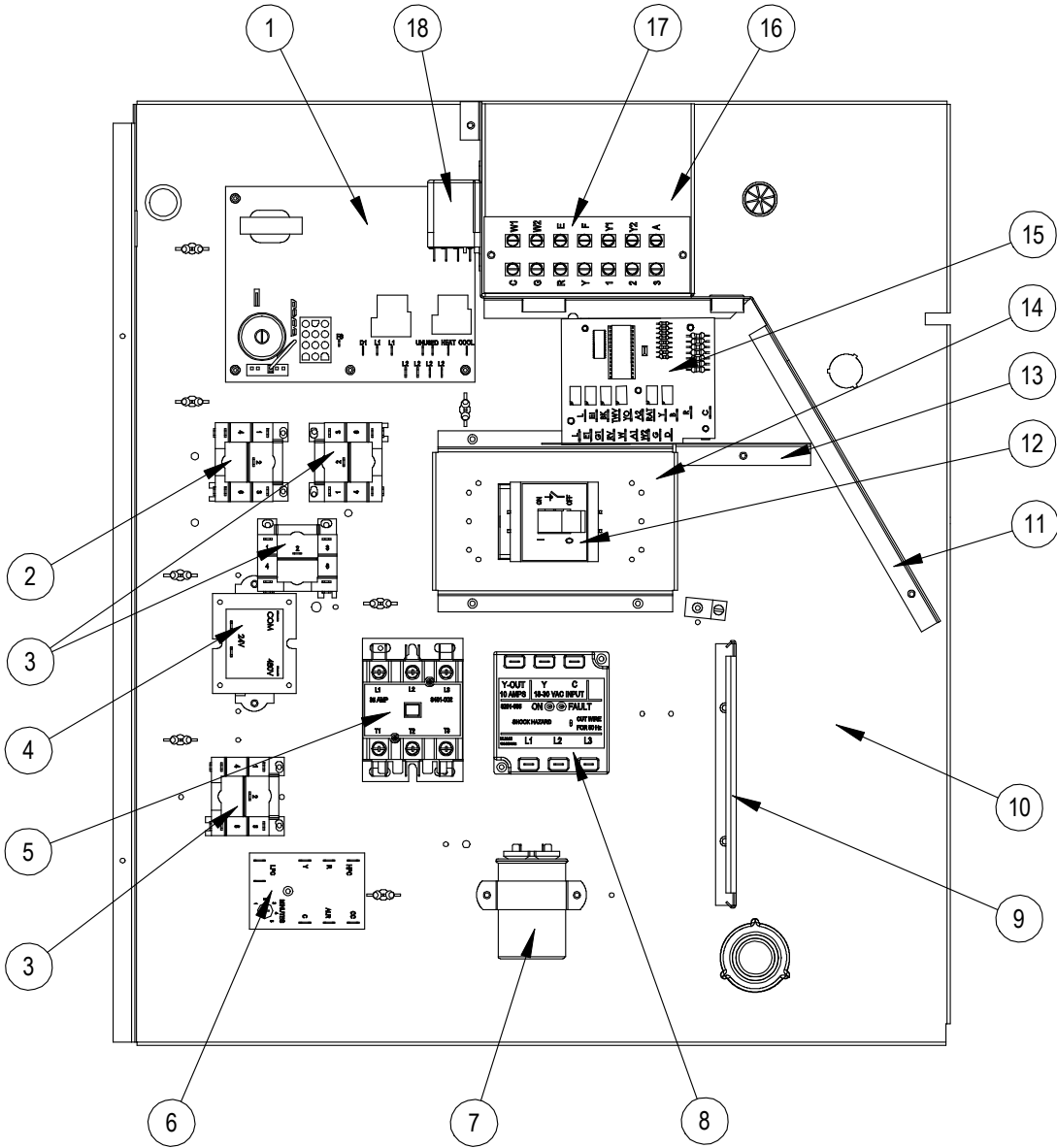
# BURNER COMPONENTS

| Drawing No. | Part No.      | Description                                  | W60G3D*XB | W60G3D*NB | W60G3D*XC | W60G3D*NC | W60G3D*XD | W60G3D*ND |
|-------------|---------------|--|-----------|-----------|-----------|-----------|-----------|-----------|
| 1           | S171-315      | Heat Exchanger Assembly 75K                  | X         | X         |           |           |           |           |
| 1           | S171-317      | Heat Exchanger Assembly 100K                 |           |           | X         | X         |           |           |
| 1           | S171-319      | Heat Exchanger Assembly 125K                 |           |           |           |           | X         | X         |
| 2           | 113-268       | Manifold Bracket                             | X         | X         | X         | X         | X         | X         |
| 4           | 8402-180      | Limit Control L140-30                        | X         | X         |           |           |           |           |
| 4           | 8402-178      | Limit Control L120-30                        |           |           | X         | X         |           |           |
| 4           | 8402-177      | Limit Control L115-30                        |           |           |           |           | X         | X         |
| 5           | 9010-083      | NOx Screen                                   |           | 3         |           | 4         |           | 5         |
| 6           | 1921-025-4600 | 46" Glas-Tak Tape                            | X         | X         | X         | X         | X         | X         |
| 7           | 168-126       | Collector Box                                | X         | X         |           |           |           |           |
| 7           | 168-127       | Collector Box                                |           |           | X         | X         |           |           |
| 7           | 168-128       | Collector Box                                |           |           |           |           | X         | X         |
| 8           | 1921-044      | Gasket Set                                   | X         | X         | X         | X         | X         | X         |
| 9           | 5809-013      | 3" Cast Inducer Transition                   | X         | X         | X         | X         | X         | X         |
| 10          | 5809-017      | 3.031" x 4.625" Transition                   | X         | X         | X         | X         | X         | X         |
| 11          | 9010-079      | Orifice 2.40mm (.0960 diameter)              | 3         |           | 4         |           | 5         | 5         |
| 11          | 9010-082      | Orifice 2.30mm (10% derate & .0905 diameter) | 3         | 3         | 4         | 4         | 5         | 5         |
| 12          | 1012-314      | U Clip Fastener                              | 4         | 4         | 4         | 4         | 4         | 4         |
| 13          | 163-049       | Burner Box                                   | X         | X         |           |           |           |           |
| 13          | 163-052       | Burner Box                                   |           |           | X         | X         |           |           |
| 13          | 163-051       | Burner Box                                   |           |           |           |           | X         | X         |
| 14          | 141-440       | Flame Rollout Support                        | X         | X         |           |           |           |           |
| 14          | 141-438       | Flame Rollout Support                        |           |           | X         | X         |           |           |
| 14          | 141-439       | Flame Rollout Support                        |           |           |           |           | X         | X         |
| 15          | 8402-124      | Flame Rollout Switch L270                    | X         | X         | X         | X         | X         | X         |
| 16          | 9010-078      | In-Shot Burner 2.5 x 4.5                     | 3         | 3         | 4         | 4         | 5         | 5         |
| 17          | 163-041       | Burner Support                               | X         | X         |           |           |           |           |
| 17          | 163-043       | Burner Support                               |           |           | X         | X         |           |           |
| 17          | 163-045       | Burner Support                               |           |           |           |           | X         | X         |
| 18          | 8554-024      | DSI Spark Igniter                            | X         | X         | X         | X         | X         | X         |
| 19          | 8554-025      | Flame Sensor                                 | X         | X         | X         | X         | X         | X         |
| 20          | 5818-054      | 2-Hole Gas Manifold - 1/2"                   | X         | X         |           |           |           |           |
| 20          | 5818-055      | 3-Hole Gas Manifold - 1/2"                   |           |           | X         | X         |           |           |
| 20          | 5818-056      | 4-Hole Gas Manifold - 1/2"                   |           |           |           |           | X         | X         |
| 21          | 5651-160      | Natural Gas Valve 1/2 x 1/2                  | X         | X         | X         | X         | X         | X         |
| 22          | 168-140       | Tube Brace 2 Burner                          | X         | X         |           |           |           |           |
| 22          | 168-135       | Tube Brace 3 Burner                          |           |           | X         | X         |           |           |
| 22          | 168-134       | Tube Brace 4 Burner                          |           |           |           |           | X         | X         |
| 23          | 112-355       | Limit Bracket                                | X         | X         |           |           |           |           |
| 23          | 112-475       | Limit Bracket                                |           |           | X         | X         | X         | X         |
| NS          | 8600-011      | Ignition Cable                               | X         | X         | X         | X         | X         | X         |

NS – Not Shown

Refer to drawing on page 14

# CONTROL PANEL



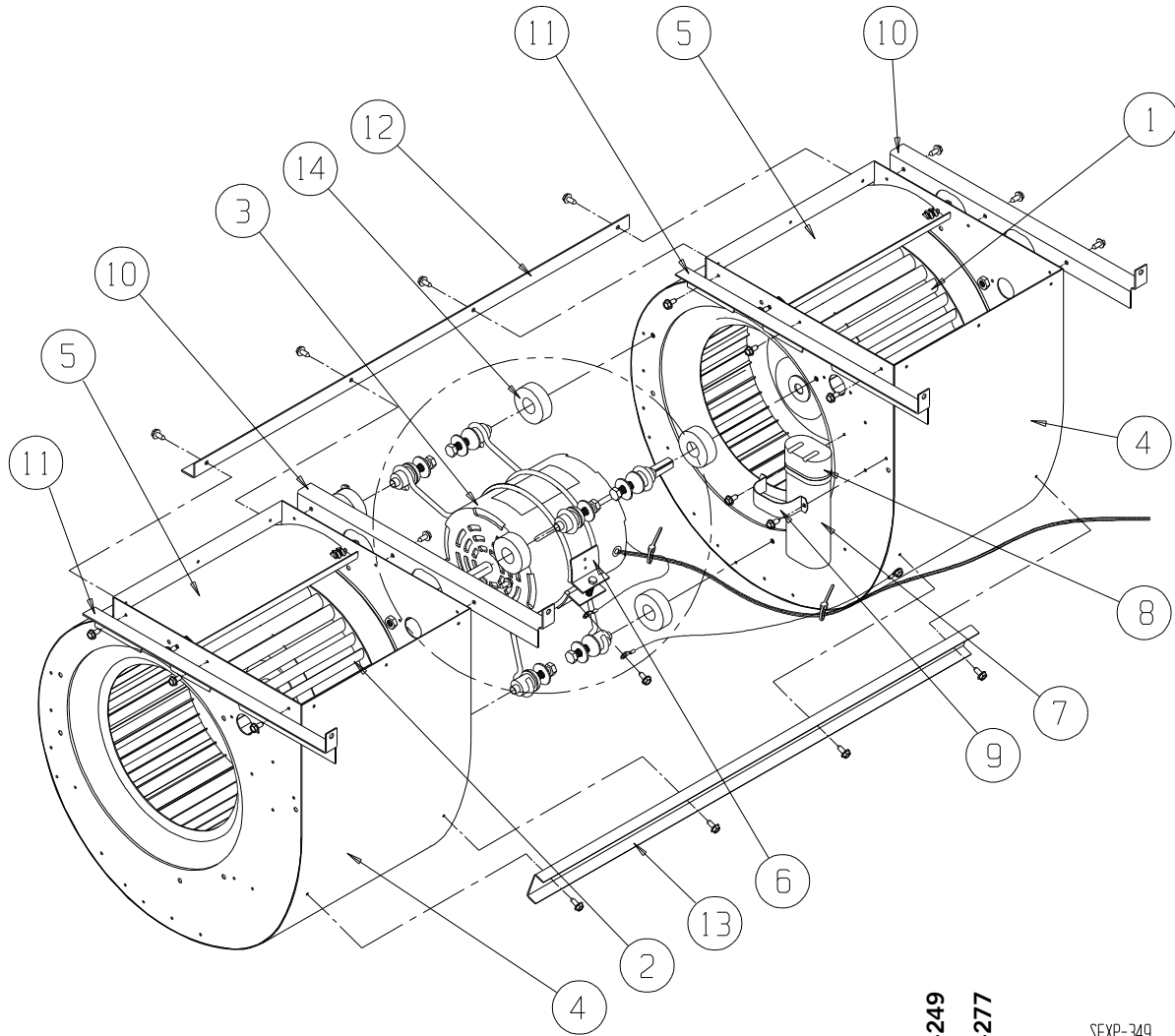
SEXP-567

# CABINET COMPONENTS

| Drawing No. | Part No. | Description                           | W42G3DA | W42G3DB | W42G3DC | W48G3DA | W48G3DB | W48G3DC | W60G3DA | W60G3DB | W60G3DC |
|-------------|----------|---------------------------------------|---------|---------|---------|---------|---------|---------|---------|---------|---------|
| 1           | 5651-159 | Integrated Furnace Control            | X       | X       | X       | X       | X       | X       | X       | X       | X       |
| 2           | 8201-086 | 460 Volt Relay DPDT                   |         |         | X       |         |         | X       |         |         | X       |
| 3           | 8201-032 | 460 Volt Relay SPDT                   |         |         | 3       |         |         | 3       |         |         | 3       |
| 4           | 8407-035 | Transformer 50 VA 208/240 - 24V       | X       | X       |         | X       | X       |         | X       | X       |         |
| 4           | 8407-042 | Transformer 50 VA 480 - 24V           |         |         | X       |         |         | X       |         |         | X       |
| 5           | 8401-025 | Contactor 2-Pole 40 Amp               | X       | X       |         | X       | X       |         | X       | X       |         |
| 5           | 8401-002 | Contactor 3-Pole 25 Amp               |         |         | X       |         |         | X       |         |         | X       |
| 6           | 8201-157 | Compressor Control Module             | X       | X       | X       | X       | X       | X       | X       | X       | X       |
| 7           | 8552-005 | Capacitor 10MFD 370 V 1-1/4" Oval     |         | X       |         |         | X       |         |         | X       |         |
| 7           | 8552-026 | Capacitor 15MFD 370 V 1-3/4" Round    |         |         | X       |         |         | X       |         |         | X       |
| 7           | 8552-079 | Capacitor 45+10MFD 370 V 2-1/2" Round | X       |         |         |         |         |         |         |         |         |
| 7           | 8552-089 | Capacitor 70+10MFD 370 V 2-1/2" Round |         |         |         | X       |         |         |         |         |         |
| 7           | 8552-058 | Capacitor 80+10MFD 370 V 2-1/2" Round |         |         |         |         |         |         | X       |         |         |
| 8           | 8201-126 | Phase Monitor                         |         | X       | X       |         | X       | X       |         | X       | X       |
| 9           | 135-130  | Wire Shield                           | X       | X       | X       | X       | X       | X       | X       | X       | X       |
| 10          | 517-276  | Control Panel Assembly                | X       | X       | X       | X       | X       | X       | X       | X       | X       |
| 11          | 117-248  | Low Voltage Partition                 | X       | X       | X       | X       | X       | X       | X       | X       | X       |
| 12          | 8615-040 | Circuit Breaker 50A, 2 Pole           | X       |         |         | X       |         |         |         |         |         |
| 12          | 8615-042 | Circuit Breaker 35A, 3 Pole           |         | X       |         |         | X       |         |         |         |         |
| 12          | 8615-067 | 460V 40A Toggle Disconnect            |         |         | X       |         |         | X       |         |         | X       |
| 12          | 8615-069 | Switch Cover Plate                    |         |         | X       |         |         | X       |         |         | X       |
| 12          | 8615-041 | Circuit Breaker 60A, 2 Pole           |         |         |         |         |         |         | X       |         |         |
| 12          | 8615-043 | Circuit Breaker 40A, 3 Pole           |         |         |         |         |         |         |         | X       |         |
| 13          | 135-266  | High Voltage Barrier                  |         |         | X       |         |         | X       |         |         | X       |
| 14          | 113-269  | Circuit Breaker Mounting Base         | X       | X       |         | X       | X       |         | X       | X       |         |
| 14          | 113-393  | Toggle Disconnect Base                |         |         | X       |         |         | X       |         |         | X       |
| 15          | 8201-113 | Dehumidification Logic Control Board  | X       | X       | X       | X       | X       | X       | X       | X       | X       |
| 16          | 117-247  | Low Voltage Box                       | X       | X       | X       | X       | X       | X       | X       | X       | X       |
| 17          | 8607-024 | Low Voltage Terminal Strip            | X       | X       | X       | X       | X       | X       | X       | X       | X       |
| 18          | 8201-048 | Relay DPDT                            | X       | X       | X       | X       | X       | X       | X       | X       | X       |
| NS          | 4085-167 | Wiring Diagram                        | X       |         |         |         |         |         |         |         |         |
| NS          | 4085-265 | Wiring Diagram                        |         | X       |         |         |         |         |         |         |         |
| NS          | 4085-388 | Wiring Diagram                        |         |         | X       |         |         |         |         |         |         |
| NS          | 4085-169 | Wiring Diagram                        |         |         |         | X       |         |         | X       |         |         |
| NS          | 4085-267 | Wiring Diagram                        |         |         |         |         | X       |         |         | X       |         |
| NS          | 4085-390 | Wiring Diagram                        |         |         |         |         |         | X       |         |         | X       |

NS – Not Shown

# BLOWER ASSEMBLY



S900-249  
S900-277

SEXP-349

| Drawing No. | Part No. | Description           | S900-249 | S900-277 |
|-------------|----------|-----------------------|----------|----------|
| 1           | 5152-011 | Blower Wheel 10-8     | X        | X        |
| 2           | 5152-012 | Blower Wheel 10-8     | X        | X        |
| 3           | 8106-038 | Motor 230/208 V       | X        |          |
| 3           | 8620-209 | Motor 460V            |          | X        |
| 4           | 151-101  | Blower Housing        | 2        | 2        |
| 5           | 144-166  | Diffuser              | 2        | 2        |
| 6           | 8200-040 | Motor Mount           | X        | X        |
| 7           | 8552-005 | Capacitor 10 MFD 370V | X        | X        |
| 8           | 8611-002 | Capacitor Boot        | X        | X        |
| 9           | 8550-003 | Capacitor Bracket     | X        | X        |
| 10          | 105X1075 | Angle – Right         | 2        | 2        |
| 11          | 105Y1075 | Angle – Left          | 2        | 2        |
| 12          | 105-881  | Angle – Back          | X        | X        |
| 13          | 165-564  | Channel – Front       | X        | X        |
| 14          | 5451-011 | Grommets              | 3        | 3        |