
REPLACEMENT PARTS MANUAL

Wall Mounted Gas/Electric

Models:

W24G4-A	W30G4-A	W36G4-A	W24G4DA	W30G4DA	W36G4DA
W24G4-B	W30G4-B	W36G4-B	W24G4DB	W30G4DB	W36G4DB
W24G4-C	W30G4-C	W36G4-C	W24G4DC	W30G4DC	W36G4DC

Contents

<i>Description</i>	<i>Page</i>
Cabinet Components	
♦ Exploded View	2
♦ Usage List	3
♦ Usage List	4
♦ Usage List	5
Functional Components	
♦ Exploded View	6
♦ Usage List	7
♦ Usage List	8
Burner Components	
♦ Exploded View	10
♦ Usage List	11
♦ Usage List	12
♦ Usage List	13
Control Panel	
♦ Layout View	14
♦ Usage List	15
♦ Usage List	16
Blower Assembly	
♦ Exploded View	17
♦ Usage List	17

General Notes

- Revised and/or additional pages may be issued from time to time.
- A complete and current manual consists of pages shown in the following contents section.

Important

- Contact the installing and/or local Bard distributor for all parts requirements. Make sure to have the complete model and serial number available from the unit rating plates.

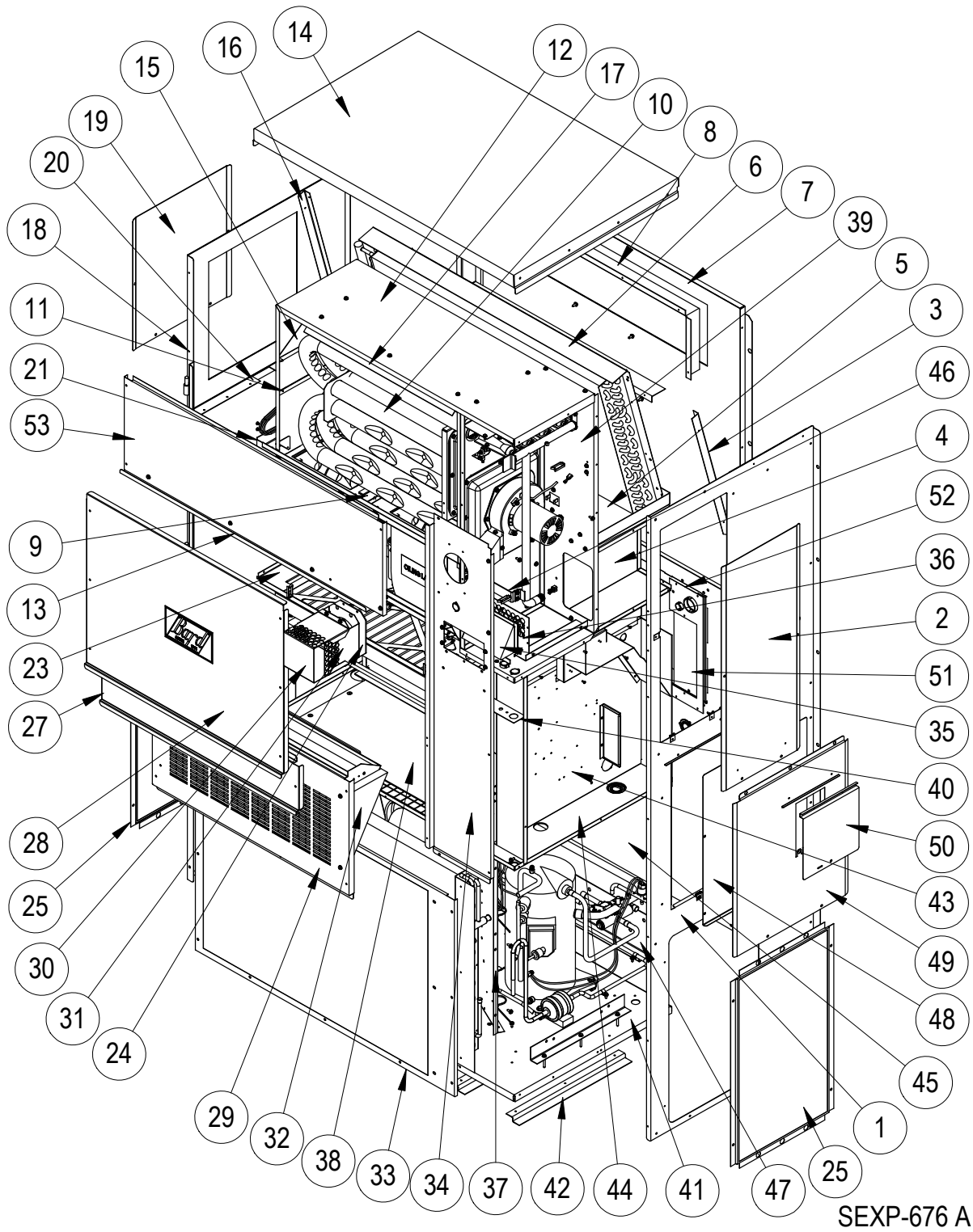


Climate Control Solutions

Bard Manufacturing Company, Inc.
Bryan, Ohio 43506
www.bardhvac.com

Manual: 2110-821I
Supersedes: 2110-821H
Date: 12-22-23

CABINET COMPONENTS – STANDARD & DEHUMIDIFICATION



This drawing to be used as reference for pages 3, 4 and 5

CABINET COMPONENTS – STANDARD & DEHUMIDIFICATION

Drawing No.	Part No.	Description	All Models
1	501-568-*	Right Side Assembly	X
2	S153-347-*	Vestibule Service Door	X
3	105X1073	Right Evaporator Support Angle	X
4	541-285	Right Drain Pan Support Assembly	X
5	S523-124	Drain Pan Assembly	X
6	105-1115	Evaporator Coil Fill Angle	X
7	509-166	Upper Back	X
8	111-091	Supply Air Frame	2
9	103-452	Heat Exchanger Support Offset	X
10	Heat Exch Assy	See Burner Components Diagram	
12	135-217	Inner Air Baffle	X
13	165-620-*	Rain Channel	X
14	507-242-*	Top Assembly	X
15	135-201	Right Heat Exchanger Partition	X
16	105Y1073	Left Evaporator Support Angle	X
17	105-1113	Top Heat Exchanger Deflector	X
18	501-748-*	Left Side Assembly	X
19	543-070-*	Left Access Cover	X
20	105-1108	Left Support Angle	X
21	S121-469	Blower Partition	X
23	S919-0008	Filter Tray	X
24	1921-051	Vent Terminal Gasket	X
25	118-083-*	Side Grille	2
<i>Continued on page 4 for standard units and on page 5 for dehumidification units</i>			

* Exterior cabinet parts are manufactured with various paint color options. To ensure the proper paint color is received, include the complete model number and serial number of the unit for which parts are being ordered.

CABINET COMPONENTS – STANDARD

Drawing No.	Part No.	Description	W24G4-A	W24G4-B	W24G4-C	W30G4-A	W30G4-B	W30G4-C	W36G4-A	W36G4-B	W36G4-C
<i>Continued from page 3</i>											
27	553-560-*	Filter Access Panel Assembly	X	X	X	X	X	X	X	X	X
28	S553-559-*	Front Door Assembly	X	X	X	X	X	X	X	X	X
29	553-346-*	Vent Option Door Assembly	X	X	X	X	X	X	X	X	X
30	169-119	Outer Vent Hood	X	X	X	X	X	X	X	X	X
31	169-120	Inner Vent Hood	X	X	X	X	X	X	X	X	X
32	WGBFAD-3	Barometric Fresh Air Damper	X	X	X	X	X	X	X	X	X
33	118-059-*	Condenser Grille	X	X	X	X	X	X	X	X	X
34	549-131-*	Right Front Corner Assembly	X	X	X	X	X	X	X	X	X
35	S135-181-*	Air Intake Hood	X	X	X	X	X	X	X	X	X
36	S134-182-*	Air Intake Back	X	X	X	X	X	X	X	X	X
37	125-022	Fan Shroud	X	X	X	X	X	X	X	X	X
38	542-138	Condensor Partition Blank Off Plate	X	X	X	X	X	X	X	X	X
39	541-402	Heat Exchanger Support Assembly	X	X	X	X	X	X	X	X	X
40	142-080	Filter Blank Off Plate	X	X	X	X	X	X	X	X	X
41	127-404	Lower Base	X	X	X	X	X	X	X	X	X
42	103-449	Lower Base Offset	3	3	3	3	3	3	3	3	3
43	517-408	Control Panel Assembly	X	X	X	X	X	X	X	X	X
44	521-441	Condenser Partition Assembly	X	X	X	X	X	X	X	X	X
45	509-167	Lower Back Assembly	X	X	X	X	X	X	X	X	X
46	113-268	Manifold Bracket	X	X	X	X	X	X	X	X	X
47	113-140	Bottom Support Bracket	X	X	X	X	X	X	X	X	X
48	S133-163	Circuit Breaker Inner Door	X	X		X	X		X	X	
48	S133-318	Toggle Disconnect Inner Door			X			X			X
49	S533-162-*	Control Panel Cover Assembly	X	X	X	X	X	X	X	X	X
50	S153-328-*	Disconnect Access Door	X	X	X	X	X	X	X	X	X
51	134-199	Conduit Access Panel	X	X	X	X	X	X	X	X	X
52	156-030	Conduit Entrance Plate	X	X	X	X	X	X	X	X	X
53	553-742-*	Upper Door Assembly	X	X	X	X	X	X	X	X	X
NS	5252-033	Bard Nameplate	X	X	X	X	X	X	X	X	X

* Exterior cabinet parts are manufactured with various paint color options. To ensure the proper paint color is received, include the complete model number and serial number of the unit for which parts are being ordered.

NS – Not Shown

Refer to drawing on page 2

CABINET COMPONENTS – DEHUMIDIFICATION

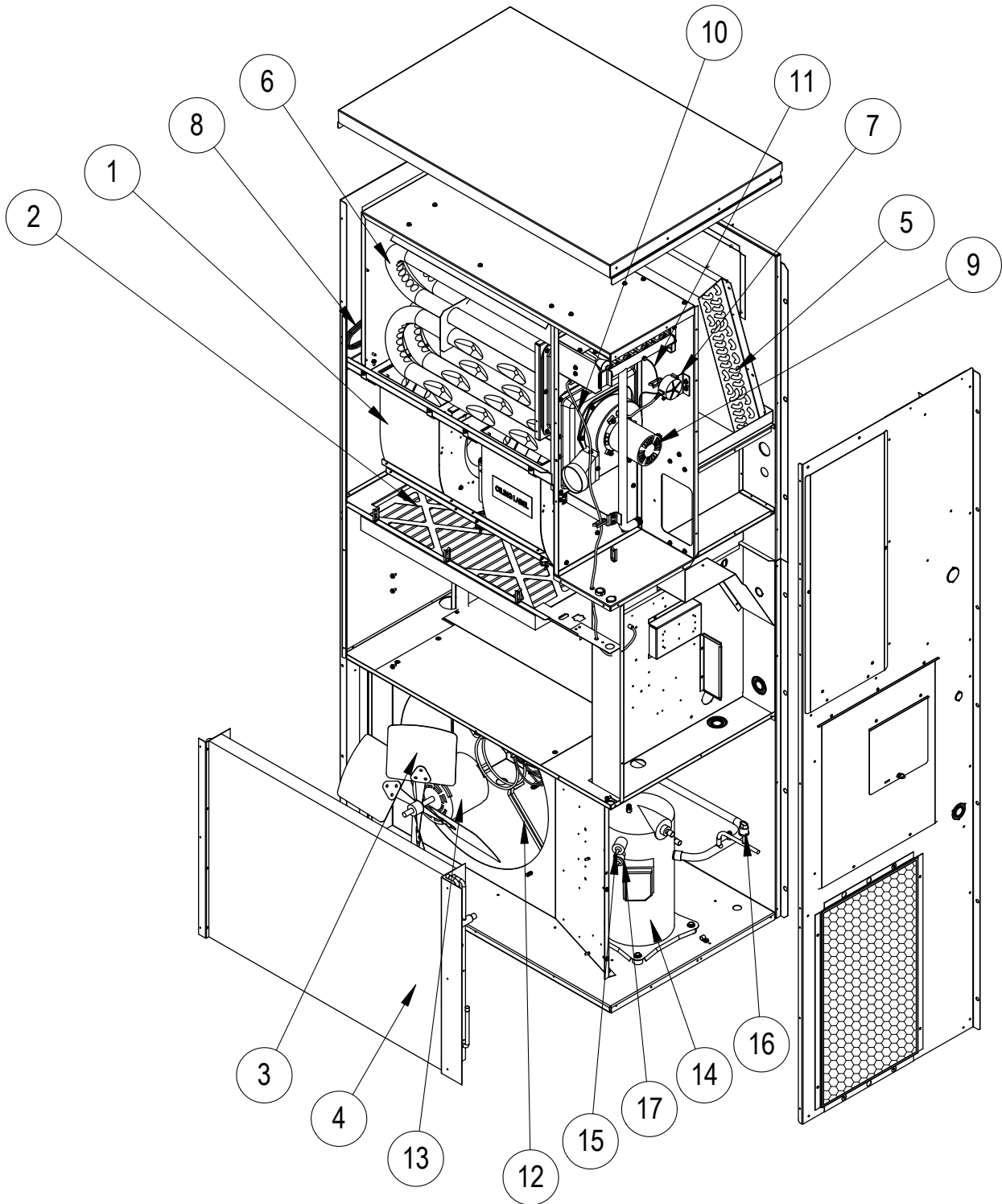
Drawing No.	Part No.	Description	W24G4DA	W24G4DB	W24G4DC	W30G4DA	W30G4DB	W30G4DC	W36G4DA	W36G4DB	W36G4DC
<i>Continued from page 3</i>											
27	553-560-*	Filter Access Panel Assembly	X	X	X	X	X	X	X	X	X
28	S553-559-*	Front Door Assembly	X	X	X	X	X	X	X	X	X
29	553-346-*	Vent Option Door Assembly	X	X	X	X	X	X	X	X	X
30	169-119	Outer Vent Hood	X	X	X	X	X	X	X	X	X
31	169-120	Inner Vent Hood	X	X	X	X	X	X	X	X	X
32	WGBFAD-3	Barometric Fresh Air Damper	X	X	X	X	X	X	X	X	X
33	118-059-*	Condenser Grille	X	X	X	X	X	X	X	X	X
34	549-131-*	Right Front Corner Assembly	X	X	X	X	X	X	X	X	X
35	S135-181-*	Air Intake Hood	X	X	X	X	X	X	X	X	X
36	S134-182-*	Air Intake Back	X	X	X	X	X	X	X	X	X
37	125-022	Fan Shroud	X	X	X	X	X	X	X	X	X
38	542-138	Cond. Block Off Plate Assembly	X	X	X	X	X	X	X	X	X
39	541-402	Heat Exchanger Support Assembly	X	X	X	X	X	X	X	X	X
40	142-080	Filter Blank Off Plate	X	X	X	X	X	X	X	X	X
41	127-318	Lower Base	X	X	X	X	X	X	X	X	X
42	103-449	Lower Base Offset	3	3	3	3	3	3	3	3	3
43	517-408	Control Panel Assembly	X	X	X	X	X	X	X	X	X
44	521-441	Condenser Partition Assembly	X	X	X	X	X	X	X	X	X
45	509-167	Lower Back Assembly	X	X	X	X	X	X	X	X	X
46	113-268	Manifold Bracket	X	X	X	X	X	X	X	X	X
47	113-140	Bottom Support Bracket	X	X	X	X	X	X	X	X	X
48	S133-163	Circuit Breaker Inner Door	X	X		X	X		X	X	
48	S133-318	Toggle Disconnect Inner Door			X			X			X
49	S533-162-*	Control Panel Cover Assembly	X	X	X	X	X	X	X	X	X
50	S153-328-*	Disconnect Access Door	X	X	X	X	X	X	X	X	X
51	134-199	Conduit Access Panel	X	X	X	X	X	X	X	X	X
52	156-030	Conduit Entrance Plate	X	X	X	X	X	X	X	X	X
53	553-742-*	Upper Door Assembly	X	X	X	X	X	X	X	X	X
NS	5252-033	Bard Nameplate	X	X	X	X	X	X	X	X	X

* Exterior cabinet parts are manufactured with various paint color options. To ensure the proper paint color is received, reference the following codes: Beige -X, Buckeye Gray -4, Dark Bronze -8

NS – Not Shown

Refer to drawing on page 2

FUNCTIONAL COMPONENTS – STANDARD & DEHUMIDIFICATION



SEXP-677

This drawing to be used for reference for pages 7 and 8

FUNCTIONAL COMPONENTS – STANDARD

Drawing No.	Part No.	Description	W24G4-A	W24G4-B	W24G4-C	W30G4-A	W30G4-B	W30G4-C	W36G4-A	W36G4-B	W36G4-C
1	900-375-0186BX	Complete Blower Assembly 230/208	X	X							
1	900-376-0192BX	Complete Blower Assembly 460V			X						
1	900-375-0187BX	Complete Blower Assembly 230/208				X	X				
1	900-376-0193BX	Complete Blower Assembly 460V						X			
1	900-375-0188BX	Complete Blower Assembly 230/208							X	X	
1	900-376-0194BX	Complete Blower Assembly 460V									X
2	7004-040	20 x 25 x 2 MERV 8 Filter (Standard)	X	X	X	X	X	X	X	X	X
2	7003-042	20 x 25 x 1 AF Filter	O	O	O	O	O	O	O	O	O
2	7004-071	20 x 25 x 2 MERV 13 Filter	O	O	O	O	O	O	O	O	O
3	S5151-045	Fan Blade	X	X	X	X	X	X	X	X	X
4	5051-066BX	Condenser Coil	X	X	X	X	X	X			
4	5054-066BX	Coated Condenser Coil	O	O	O	O	O	O			
4	5051-234BX	Condenser Coil							X	X	X
4	5054-234BX	Coated Condenser Coil							O	O	O
5	917-0154BX	Evaporator Coil	X	X	X						
5	917-0155BX	Coated Evaporator Coil	O	O	O						
5	917-0156BX	Evaporator Coil				X	X	X	X	X	X
5	917-0157BX	Coated Evaporator Coil				O	O	O	O	O	O
6	Heat Exch.	See Burner Components Diagram	X	X	X	X	X	X	X	X	X
7	8406-103	.55" + .05" Pressure Switch	X	X	X	X	X	X	X	X	X
8	S800-0400	Distributor/Orifice	X	X	X						
8	S800-0401	Distributor/Orifice				X	X	X			
8	S800-0492	Distributor/Orifice							X	X	X
9	8109-014	Induced Draft Blower 230V w/Transition	X	X		X	X		X	X	
9	8109-015	Induced Draft Blower 460V w/Transition			X			X			X
10	8600-011	Suppression Ignition Cable	X	X	X	X	X	X	X	X	X
11	3000-1615	Wire Assembly	X	X	X	X	X	X	X	X	X
12	8200-001	Fan Motor Mount	X	X	X	X	X	X	X	X	X
13	S8103-029	Motor 230/208V	X	X		X	X		X	X	
13	S8103-030	Motor 460V			X			X			X
14	8000-434	Compressor ZP21K5E-PFV-130	X								
14	8000-435	Compressor ZP21K5E-TF5-130		X							
14	8000-436	Compressor ZP21K5E-TFD-130			X						
14	8000-277	Compressor ZP25K5E-PFV-130				X					
14	8000-365	Compressor ZP25K5E-TF5-130					X				
14	8000-366	Compressor ZP25K5E-TFD-130						X			
14	8000-278	Compressor ZP31K5E-PFV-130							X		
14	8000-283	Compressor ZP31K5E-TF5-130								X	
14	8000-342	Compressor ZP31K5E-TFD-130									X
15	8406-142	High Pressure Switch	X	X	X	X	X	X	X	X	X
16	8406-140	Low Pressure Switch	X	X	X	X	X	X	X	X	X
17	S8406-105	Low Ambient Control (Part of CMA-46 LAC Kit)	O	O	O	O	O	O	O	O	O
NS	CMA-46	Complete Low Ambient Kit	O	O	O	O	O	O	O	O	O
NS	8408-048	Freeze Stat (Part of CMA-46 LAC Kit)	O	O	O	O	O	O	O	O	O
NS	6031-009	Coremax Valve Core	X	X	X	X	X	X	X	X	X

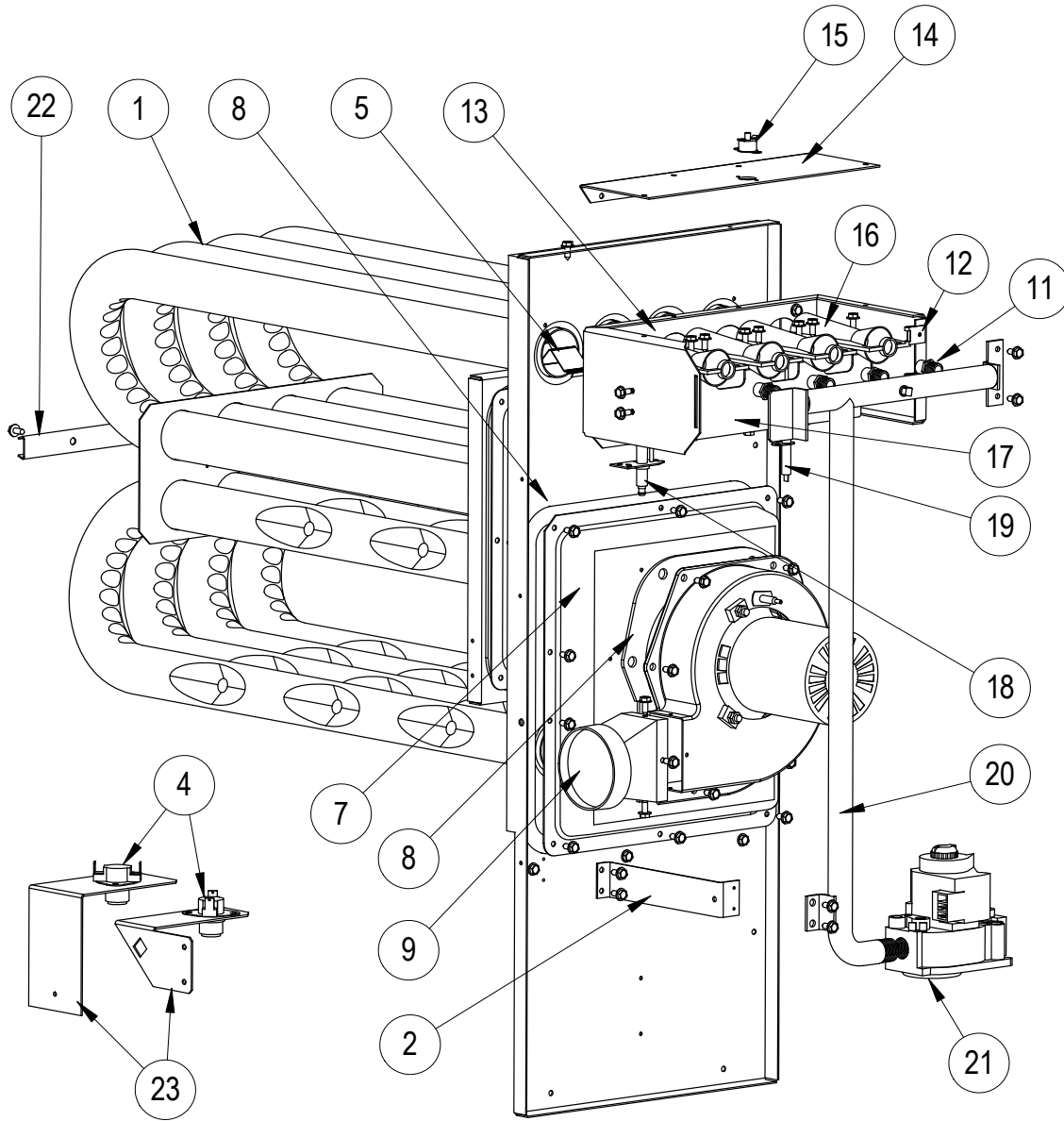
NS - Not Shown
X - Standard
O - Optional

FUNCTIONAL COMPONENTS – DEHUMIDIFICATION

Drawing No.	Part No.	Description	W24G4DA	W24G4DB	W24G4DC	W30G4DA	W30G4DB	W30G4DC	W36G4DA	W36G4DB	W36G4DC
1	900-375-0186BX	Complete Blower Assembly 230/208	X	X							
1	900-376-0192BX	Complete Blower Assembly 460V			X						
1	900-375-0187BX	Complete Blower Assembly 230/208				X	X				
1	900-376-0193BX	Complete Blower Assembly 460V						X			
1	900-375-0188BX	Complete Blower Assembly 230/208							X	X	
1	900-376-0194BX	Complete Blower Assembly 460V									X
2	7004-040	20 x 25 x 2 MERV 8 Filter (Standard)	X	X	X	X	X	X	X	X	X
2	7003-042	20 x 25 x 1 AF Filter	O	O	O	O	O	O	O	O	O
2	7004-071	20 x 25 x 2 MERV 13 Filter	O	O	O	O	O	O	O	O	O
3	S5151-045	Fan Blade	X	X	X	X	X	X	X	X	X
4	5051-066BX	Condenser Coil	X	X	X	X	X	X			
4	5054-066BX	Coated Condenser Coil	O	O	O	O	O	O			
4	5051-234BX	Condenser Coil							X	X	X
4	5054-234BX	Coated Condenser Coil							O	O	O
5	917-0154BX	Evaporator and Reheat Assembly	X	X	X						
5	917-0155BX	Coated Evaporator and Reheat Assembly	O	O	O						
5	917-0156BX	Evaporator and Reheat Assembly				X	X	X	X	X	X
5	917-0157BX	Coated Evaporator and Reheat Assembly				O	O	O	O	O	O
6	Heat Exch.	See Burner Components Diagram	X	X	X	X	X	X	X	X	X
7	8406-103	.55" + .05" Pressure Switch	X	X	X	X	X	X	X	X	X
8	5625-007	Distributor	X	X	X						
8	5625-008	Distributor				X	X	X	X	X	X
9	8109-014	Induced Draft Blower 230V w/Transition	X	X		X	X		X	X	
9	8109-015	Induced Draft Blower 460V w/Transition			X			X			X
10	8600-011	Suppression Ignition Cable	X	X	X	X	X	X	X	X	X
11	3000-1615	Wire Assembly	X	X	X	X	X	X	X	X	X
12	8200-001	Fan Motor Mount	X	X	X	X	X	X	X	X	X
13	S8103-029	Motor 230/208V	X	X		X	X		X	X	
13	S8103-030	Motor 460V			X			X			X
14	8000-434	Compressor ZP21K5E-PFV-130	X								
14	8000-435	Compressor ZP21K5E-TF5-130		X							
14	8000-436	Compressor ZP21K5E-TFD-130			X						
14	8000-277	Compressor ZP25K5E-PFV-130				X					
14	8000-365	Compressor ZP25K5E-TF5-130					X				
14	8000-366	Compressor ZP25K5E-TFD-130						X			
14	8000-278	Compressor ZP31K5E-PFV-130							X		
14	8000-283	Compressor ZP31K5E-TF5-130								X	
14	8000-342	Compressor ZP31K5E-TFD-130									X
15	8406-142	High Pressure Switch	X	X	X	X	X	X	X	X	X
16	8406-140	Low Pressure Switch	X	X	X	X	X	X	X	X	X
17	S8406-105	Low Ambient Control (Part of CMA-45 LAC Kit)	O	O	O	O	O	O	O	O	O
NS	CMA-45	Low Ambient Control (Optional)	O	O	O	O	O	O	O	O	O
NS	5651-219	Check Valve	X	X	X	X	X	X	X	X	X
NS	5650-044	Molded Plug	X	X	X	X	X	X	X	X	X
NS	5650-051	Three Way Valve with Solenoid	X	X	X	X	X	X	X	X	X
NS	5651S245	Expansion Valve	X	X	X	X	X	X	X	X	X
NS	5651-246	EEV Cable and Stator	X	X	X	X	X	X	X	X	X
NS	8408-056	EEV Thermistor	X	X	X	X	X	X	X	X	X
NS	8406-158	Transducer	X	X	X	X	X	X	X	X	X
NS	5201-021	Filter Drier	X	X	X	X	X	X	X	X	X
NS	8408-048	Freeze Thermostat	X	X	X	X	X	X	X	X	X
NS	5650-046	Solenoid Coil 24V	X	X	X	X	X	X	X	X	X
NS	6031-009	Coremax Valve Core	X	X	X	X	X	X	X	X	X

This page intentionally left blank

BURNER COMPONENTS – STANDARD & DEHUMIDIFICATION



SEXP-678 A

This drawing to be used for reference for pages 11, 12 and 13

BURNER COMPONENTS – STANDARD & DEHUMIDIFICATION

Drawing No.	Part No.	Description	W24G4**XA	W24G4**NA	W24G4**XB	W24G4**NB	W24G4**XC	W24G4**NC
1	S171-303	Heat Exchanger Assembly (2 Burner)	X	X				
1	S171-305	Heat Exchanger Assembly (3 Burner)			X	X		
1	S171-307	Heat Exchanger Assembly (4 Burner)					X	X
2	113-268	Manifold Bracket	X	X	X	X	X	X
4	8402-180	Limit Control L140-30	X	X				
4	8402-178	Limit Control L120-30			X	X		
4	8402-177	Limit Control L115-30					X	X
5	9010-099	NOx Screen		2		3		4
7	168-142	Collector Box	X	X				
7	168-143	Collector Box			X	X		
7	168-144	Collector Box					X	X
8	1921-043	Gasket Set	X	X	X	X	X	X
9	5809-013	3" Cast Inducer Transition	X	X	X	X	X	X
11	9010-082	Orifice 2.30mm (.0885 diameter)	2	2	3	3	4	4
11	9010-087	Orifice 2.20mm (10% derate)	2	2	3	3	4	4
12	1012-314	U Clip Fastener	2	2	2	2	2	2
13	163-050	Burner Box	X	X				
13	163-049	Burner Box			X	X		
13	163-052	Burner Box					X	X
14	141-493	Flame Rollout Support	X	X	X	X		
14	141-494	Flame Rollout Support					X	X
15	8402-124	Flame Rollout Switch L270	X	X	X	X	X	X
16	9010-078	In-Shot Burner 2.5 x 4.5	2	2	3	3	4	4
17	163-048	Burner Support	X	X				
17	163-041	Burner Support			X	X		
17	163-043	Burner Support					X	X
18	8554-024	DSI Spark Igniter	X	X	X	X	X	X
19	8554-025	Flame Sensor	X	X	X	X	X	X
20	5818-053	2-Hole Gas Manifold - 1/2"	X	X				
20	5818-054	3-Hole Gas Manifold - 1/2"			X	X		
20	5818-055	4-Hole Gas Manifold - 1/2"					X	X
21	5651-160	Natural Gas Valve 1/2 x 1/2	X	X	X	X	X	X
22	168-140	Tube Brace 2 Burner	X	X				
22	168-135	Tube Brace 3 Burner			X	X		
22	168-134	Tube Brace 4 Burner					X	X
23	112-355	Limit Bracket	X	X				
23	112-475	Limit Bracket			X	X	X	X
NS	S400-0203	Orifice Parts Bag 2 Tube 45K	X	X				
NS	S400-0204	Orifice Parts Bag 3 Tube 67.5K			X	X		
NS	S400-0205	Orifice Parts Bag 4 Tube 90K					X	X
NS	8600-011	Ignition Cable	X	X	X	X	X	X

NS – Not Shown

BURNER COMPONENTS – STANDARD & DEHUMIDIFICATION

Drawing No.	Part No.	Description	W30G4**XA	W30G4**NA	W30G4**XB	W30G4**NB	W30G4**XC	W30G4**NC
1	S171-303	Heat Exchanger Assembly (2 Burner)	X	X				
1	S171-305	Heat Exchanger Assembly (3 Burner)			X	X		
1	S171-307	Heat Exchanger Assembly (4 Burner)					X	X
2	113-268	Manifold Bracket	X	X	X	X	X	X
4	8402-180	Limit Control L140-30	X	X				
4	8402-178	Limit Control L120-30			X	X		
4	8402-177	Limit Control L115-30					X	X
5	9010-099	NOx Screen		2		3		4
7	168-142	Collector Box	X	X				
7	168-143	Collector Box			X	X		
7	168-144	Collector Box					X	X
8	1921-043	Gasket Set	X	X	X	X	X	X
9	5809-013	3" Cast Inducer Transition	X	X	X	X	X	X
11	9010-082	Orifice 2.30mm (.0885 diameter)	2	2	3	3	4	4
11	9010-087	Orifice 2.20mm (10% derate)	2	2	3	3	4	4
12	1012-314	U Clip Fastener	2	2	2	2	2	2
13	163-050	Burner Box	X	X				
13	163-049	Burner Box			X	X		
13	163-052	Burner Box					X	X
14	141-493	Flame Rollout Support	X	X	X	X		
14	141-494	Flame Rollout Support					X	X
15	8402-124	Flame Rollout Switch L270	X	X	X	X	X	X
16	9010-078	In-Shot Burner 2.5 x 4.5	2	2	3	3	4	4
17	163-048	Burner Support	X	X				
17	163-041	Burner Support			X	X		
17	163-043	Burner Support					X	X
18	8554-024	DSI Spark Igniter	X	X	X	X	X	X
19	8554-025	Flame Sensor	X	X	X	X	X	X
20	5818-053	2-Hole Gas Manifold - 1/2"	X	X				
20	5818-054	3-Hole Gas Manifold - 1/2"			X	X		
20	5818-055	4-Hole Gas Manifold - 1/2"					X	X
21	5651-160	Natural Gas Valve 1/2 x 1/2	X	X	X	X	X	X
22	168-140	Tube Brace 2 Burner	X	X				
22	168-135	Tube Brace 3 Burner			X	X		
22	168-134	Tube Brace 4 Burner					X	X
23	112-355	Limit Bracket	X	X				
23	112-475	Limit Bracket			X	X	X	X
NS	S400-0203	Orifice Parts Bag 2 Tube 45K	X	X				
NS	S400-0204	Orifice Parts Bag 3 Tube 67.5K			X	X		
NS	S400-0205	Orifice Parts Bag 4 Tube 90K					X	X
NS	8600-011	Ignition Cable	X	X	X	X	X	X

NS – Not Shown

Refer to drawing on page 10

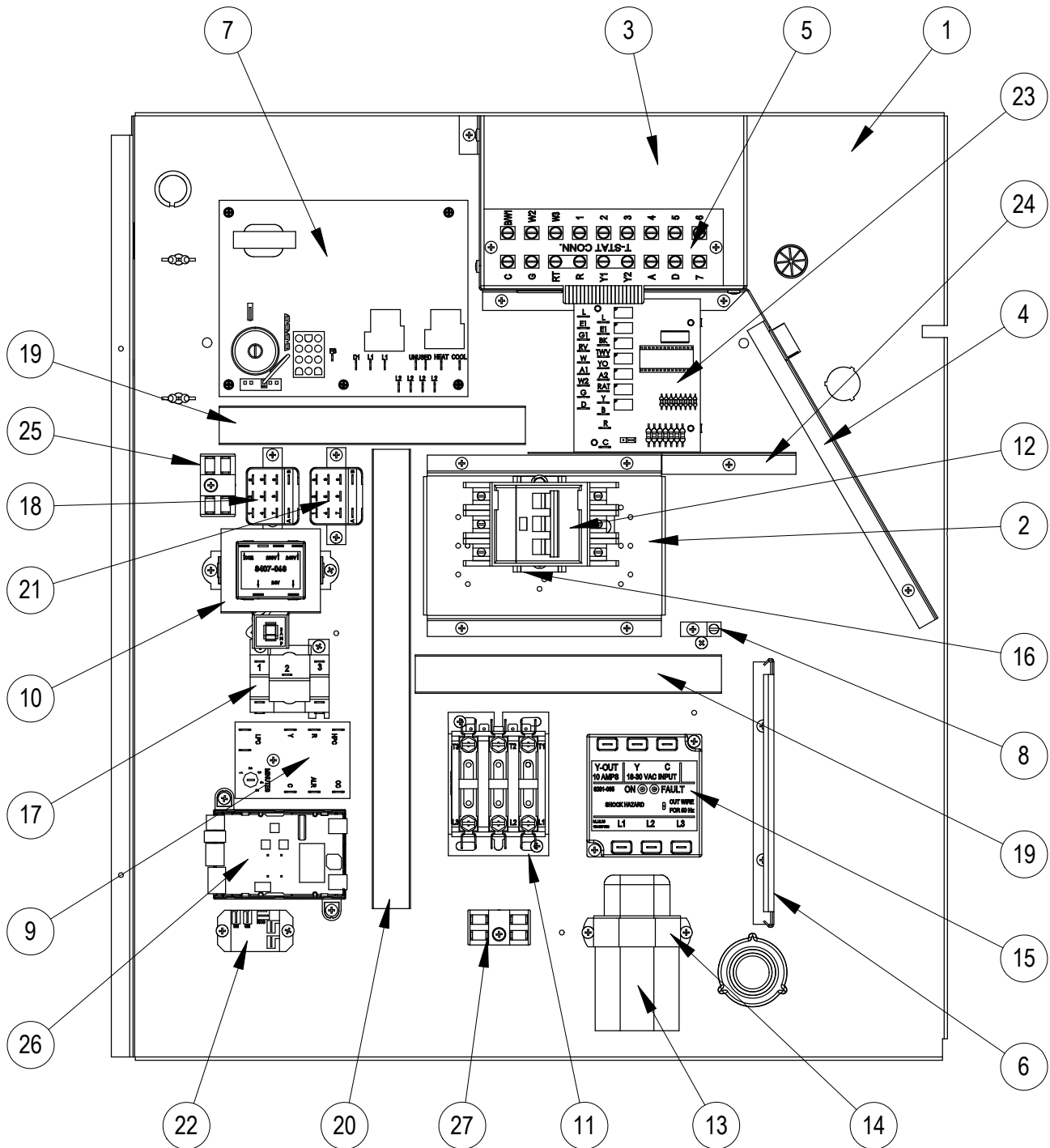
BURNER COMPONENTS – STANDARD & DEHUMIDIFICATION

Drawing No.	Part No.	Description	W36G4**XA	W36G4**NA	W36G4**XB	W36G4**NB	W36G4**XC	W36G4**NC
1	S171-303	Heat Exchanger Assembly (2 Burner)	X	X				
1	S171-305	Heat Exchanger Assembly (3 Burner)			X	X		
1	S171-307	Heat Exchanger Assembly (4 Burner)					X	X
2	113-268	Manifold Bracket	X	X	X	X	X	X
4	8402-180	Limit Control L140-30	X	X				
4	8402-178	Limit Control L120-30			X	X		
4	8402-177	Limit Control L115-30					X	X
5	9010-099	NOx Screen		2		3		4
7	168-142	Collector Box	X	X				
7	168-143	Collector Box			X	X		
7	168-144	Collector Box					X	X
8	1921-043	Gasket Set	X	X	X	X	X	X
9	5809-013	3" Cast Inducer Transition	X	X	X	X	X	X
11	9010-082	Orifice 2.30mm (.0885 diameter)	2	2	3	3	4	4
11	9010-087	Orifice 2.20mm (10% derate)	2	2	3	3	4	4
12	1012-314	U Clip Fastener	2	2	2	2	2	2
13	163-050	Burner Box	X	X				
13	163-049	Burner Box			X	X		
13	163-052	Burner Box					X	X
14	141-493	Flame Rollout Support	X	X	X	X		
14	141-494	Flame Rollout Support					X	X
15	8402-124	Flame Rollout Switch L270	X	X	X	X	X	X
16	9010-078	In-Shot Burner 2.5 x 4.5	2	2	3	3	4	4
17	163-048	Burner Support	X	X				
17	163-041	Burner Support			X	X		
17	163-043	Burner Support					X	X
18	8554-024	DSI Spark Igniter	X	X	X	X	X	X
19	8554-025	Flame Sensor	X	X	X	X	X	X
20	5818-053	2-Hole Gas Manifold - 1/2"	X	X				
20	5818-054	3-Hole Gas Manifold - 1/2"			X	X		
20	5818-055	4-Hole Gas Manifold - 1/2"					X	X
21	5651-160	Natural Gas Valve 1/2 x 1/2	X	X	X	X	X	X
22	168-140	Tube Brace 2 Burner	X	X				
22	168-135	Tube Brace 3 Burner			X	X		
22	168-134	Tube Brace 4 Burner					X	X
23	112-355	Limit Bracket	X	X				
23	112-475	Limit Bracket			X	X	X	X
NS	S400-0203	Orifice Parts Bag 2 Tube 45K	X	X				
NS	S400-0204	Orifice Parts Bag 3 Tube 67.5K			X	X		
NS	S400-0205	Orifice Parts Bag 4 Tube 90K					X	X
NS	8600-011	Ignition Cable	X	X	X	X	X	X

NS – Not Shown

Refer to drawing on page 10

CONTROL PANEL - STANDARD & DEHUMIDIFICATION



SEXP-1013

This drawing to be used for reference for pages 15 and 16

CONTROL PANEL - STANDARD

Drawing No.	Part No.	Description	W24G4-A	W24G4-B	W24G4-C	W30G4-A	W30G4-B	W30G4-C	W36G4-A	W36G4-B	W36G4-C
1	517-408	Control Panel	X	X	X	X	X	X	X	X	X
2	113-269	Circuit Breaker Mounting Bracket	X	X		X	X		X	X	
2	127-590	460V Disconnect Base			X			X			X
3	117-410	Low Voltage Box	X	X	X	X	X	X	X	X	X
4	117-409	Low Voltage Partition	X	X	X	X	X	X	X	X	X
5	8607-062	Terminal Strip	X	X	X	X	X	X	X	X	X
6	135-130	Wire Shield	X	X	X	X	X	X	X	X	X
7	5651-159	Integrated Furnace Control	X	X	X	X	X	X	X	X	X
8	8611-006	Terminal	X	X	X	X	X	X	X	X	X
9	8201-176BX	Compressor Control Module	X	X	X	X	X	X	X	X	X
10	8407-068	Transformer	X	X		X	X		X	X	
10	8407-069	Transformer			X			X			X
11	S8401-002	Compressor Contactor		X	X		X	X		X	X
11	S8401-025	Compressor Contactor	X			X			X		
12	S8615-095	600V 40A Toggle Disconnect			X			X			X
12	S8615-096	600V Switch Cover Plate			X			X			X
12	S8615-056	230V 15A Circuit Breaker		X							
12	S8615-017	230V 25A Circuit Breaker				X				X	
12	S8615-037	230V 30A Circuit Breaker	X			X					
12	S8615-038	230V 35A Circuit Breaker						X			
13	S8552-002	Outdoor Fan Capacitor		X	X		X	X		X	X
13	S8552-050	Outdoor Fan Capacitor	X			X					
13	S8552-052	Outdoor Fan Capacitor						X			
14	8550-003	Capacitor Bracket		X	X		X	X		X	X
14	8550-008	Capacitor Bracket	X			X			X		
15	8201-174BX	Phase Monitor		X	X		X	X		X	X
16	8611-209	DIN Rail		X	X		X	X		X	X
16	8611-210	DIN Rail	X			X			X		
17	8201-032	Inducer Relay	X	X	X	X	X	X	X	X	X
18	8201-159	Blower Relay	X	X	X	X	X	X	X	X	X
19	8611-140-0800	Cable Duct - 8" x 1" Wide	2	2	2	2	2	2	2	2	2
20	8611-140-1200	Cable Duct - 12" x 1" Wide	X	X	X	X	X	X	X	X	X
24	135-266	Wire Shield	X	X	X	X	X	X	X	X	X
25	8607-017	Terminal Block	X	X	X	X	X	X	X	X	X
27	8607-017	Terminal Block - LAC Kit	O	O	O	O	O	O	O	O	O
NS	4085-177	Wiring Diagram	X			X			X		
NS	4085-277	Wiring Diagram		X			X			X	
NS	4085-400	Wiring Diagram			X			X			X
NS	3000-1616	Blower Power Plug	X	X	X	X	X	X	X	X	X
NS	3000-1617	Blower Speed Plug	X	X	X	X	X	X	X	X	X
NS	3000-1224	Compressor Plug/Harness	X			X			X		
NS	3000-1231	Compressor Plug/Harness		X	X		X	X		X	X
NS	3003-075	Control Panel Wire Harness		X	X		X	X		X	X
NS	3003-076	Control Panel Wire Harness	X			X			X		
NS	3000-1618	Integrated Furnace Control Plug	X	X	X	X	X	X	X	X	X

NS - Not Shown

X - Standard

O - Optional

CONTROL PANEL – DEHUMIDIFICATION

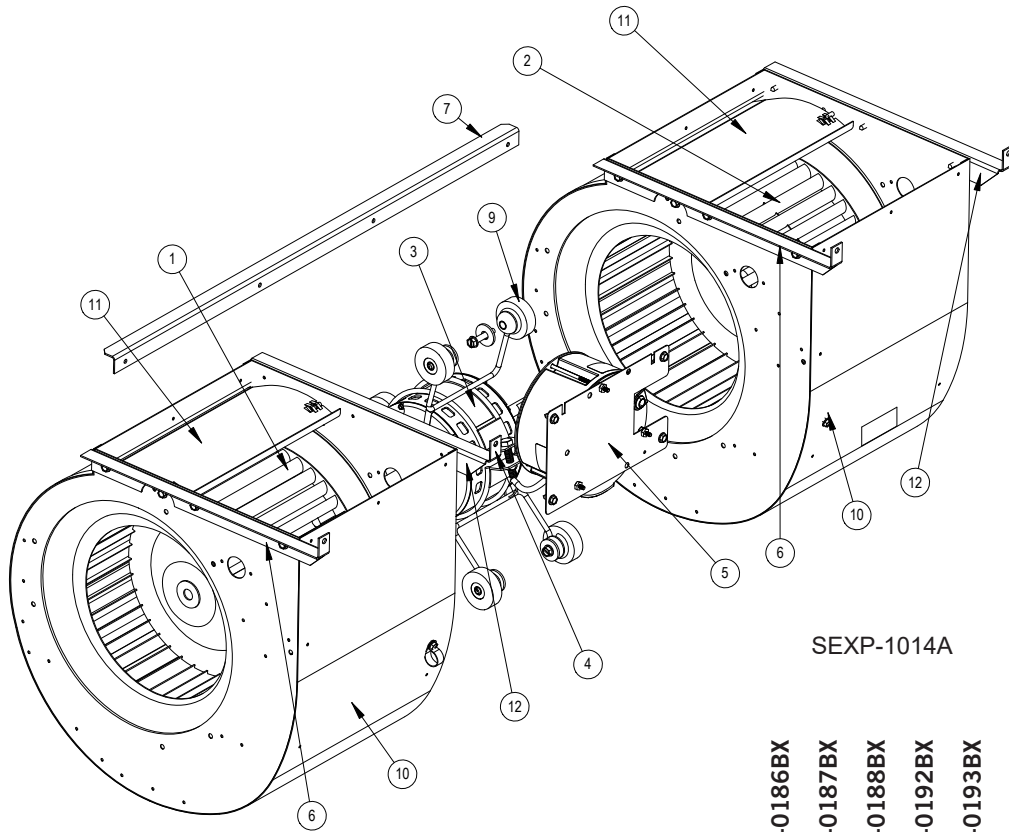
Drawing No.	Part No.	Description	W24G4DA	W24G4DB	W24G4DC	W30G4DA	W30G4DB	W30G4DC	W36G4DA	W36G4DB	W36G4DC
1	517-408	Control Panel	X	X	X	X	X	X	X	X	X
2	113-269	Circuit Breaker Mounting Bracket	X	X		X	X		X	X	
2	127-590	460V Disconnect Base			X			X			X
3	117-410	Low Voltage Box	X	X	X	X	X	X	X	X	X
4	117-409	Low Voltage Partition	X	X	X	X	X	X	X	X	X
5	8607-062	Terminal Strip	X	X	X	X	X	X	X	X	X
6	135-130	Wire Shield	X	X	X	X	X	X	X	X	X
7	5651-159	Integrated Furnace Control	X	X	X	X	X	X	X	X	X
8	8611-006	Terminal	X	X	X	X	X	X	X	X	X
9	8201-176BX	Compressor Control Module	X	X	X	X	X	X	X	X	X
10	8407-068	Transformer	X	X		X	X		X	X	
10	8407-069	Transformer			X			X			X
11	S8401-002	Compressor Contactor		X	X		X	X		X	X
11	S8401-025	Compressor Contactor	X			X			X		
12	S8615-095	600V 40A Toggle Disconnect			X			X			X
12	S8615-096	600V Switch Cover Plate			X			X			X
12	S8615-056	230V 15A Circuit Breaker		X							
12	S8615-017	230V 25A Circuit Breaker				X				X	
12	S8615-037	230V 30A Circuit Breaker	X			X					
12	S8615-038	230V 35A Circuit Breaker						X			
13	S8552-002	Outdoor Fan Capacitor		X	X		X	X		X	X
13	S8552-050	Outdoor Fan Capacitor	X			X					
13	S8552-052	Outdoor Fan Capacitor						X			
14	8550-003	Capacitor Bracket		X	X		X	X		X	X
14	8550-008	Capacitor Bracket	X			X			X		
15	8201-174BX	Phase Monitor		X	X		X	X		X	X
16	8611-209	DIN Rail		X	X		X	X		X	X
16	8611-210	DIN Rail	X			X			X		
17	8201-032	Inducer Relay	X	X	X	X	X	X	X	X	X
18	8201-159	Blower Relay	X	X	X	X	X	X	X	X	X
19	8611-140-0800	Cable Duct - 8" x 1" Wide	2	2	2	2	2	2	2	2	2
20	8611-140-1200	Cable Duct - 12" x 1" Wide	X	X	X	X	X	X	X	X	X
21	8201-159	Lockout Relay	X	X	X	X	X	X	X	X	X
22	8201-130	Dehumidification Control Relay	X	X	X	X	X	X	X	X	X
23	8201-113	Dehumidification Logic Board	X	X	X	X	X	X	X	X	X
24	135-266	Wire Shield	X	X	X	X	X	X	X	X	X
25	8607-017	Terminal Block	X	X	X	X	X	X	X	X	X
26	8301-079-0001	EEV Control Board (see page 8 for other EEV parts)	X	X	X	X	X	X	X	X	X
27	8607-017	Terminal Block - LAC Kit	0	0	0	0	0	0	0	0	0
NS	4085-173	Wiring Diagram	X			X			X		
NS	4085-273	Wiring Diagram		X			X			X	
NS	4085-396	Wiring Diagram			X			X			X
NS	3000-1616	Blower Power Plug	X	X	X	X	X	X	X	X	X
NS	3000-1617	Blower Speed Plug	X	X	X	X	X	X	X	X	X
NS	3000-1224	Compressor Plug/Harness	X			X			X		
NS	3000-1231	Compressor Plug/Harness		X	X		X	X		X	X
NS	3003-070	Control Panel Wire Harness		X	X		X	X		X	X
NS	3003-074	Control Panel Wire Harness	X			X			X		
NS	3000-1618	Integrated Furnace Control Plug	X	X	X	X	X	X	X	X	X

NS - Not Shown

X - Standard

O - Optional

BLOWER ASSEMBLY



SEXP-1014A

Drawing No.	Part No.	Description	900-375-0186BX	900-375-0187BX	900-375-0188BX	900-376-0192BX	900-376-0193BX	900-376-0194BX
1	5152-096	Blower Wheel	X	X	X	X	X	X
2	5152-072	Blower Wheel	X	X	X	X	X	X
3	S8106-068-0186	Blower Motor & Control (230/208V)	X					
3	S8106-068-0187	Blower Motor & Control (230/208V)		X				
3	S8106-068-0188	Blower Motor & Control (230/208V)			X			
3	S8106-069-0192	Blower Motor & Control (460V)				X		
3	S8106-069-0193	Blower Motor & Control (460V)					X	
3	S8106-069-0194	Blower Motor & Control (460V)						X
3	C8106-068-0186	Programmed Control Only (230/208V)	X					
3	C8106-068-0187	Programmed Control Only (230/208V)		X				
3	C8106-068-0188	Programmed Control Only (230/208V)			X			
3	C8106-069-0192	Programmed Control Only (460V)				X		
3	C8106-069-0193	Programmed Control Only (460V)					X	
3	C8106-069-0194	Programmed Control Only (460V)						X
4	8200-040	Motor Mount	X	X	X	X	X	X
5	112-775	Motor Control Bracket	X	X	X	X	X	X
6	105Y1075	Angle – Left	2	2	2	2	2	2
7	105-1109	Angle – Back	X	X	X	X	X	X
9	5451-011	Grommett	6	6	6	6	6	6
10	151-117	Blower Housing	2	2	2	2	2	2
11	144-167	Diffuser	2	2	2	2	2	2
12	105X1075	Angle – Right	2	2	2	2	2	2