

# REPLACEMENT PARTS MANUAL

## HI-BOY GAS FIRED FURNACES

MODELS H60DB, H80DB, H80D36B, H105D36B, H105D48B, H120D48B,  
H120D60B, H140D48B, H160D48B, H200A, EH60DB, EH80DB,  
EH80D36B, EH105D36B, EH105D48B, EH120D48B, EH120D60B,  
EH140D48B, EH160D48B, EH200A

Manual 2110-851

Revision C

Date 6-06-91

Supersedes 3-22-91

\*\*\*\*\*  
\* GENERAL NOTES \*  
\*\*\*\*\*

\*Revised and/or additional pages may be issued from time to time.  
\*A complete and current manual consists of pages dated as shown in the following index.

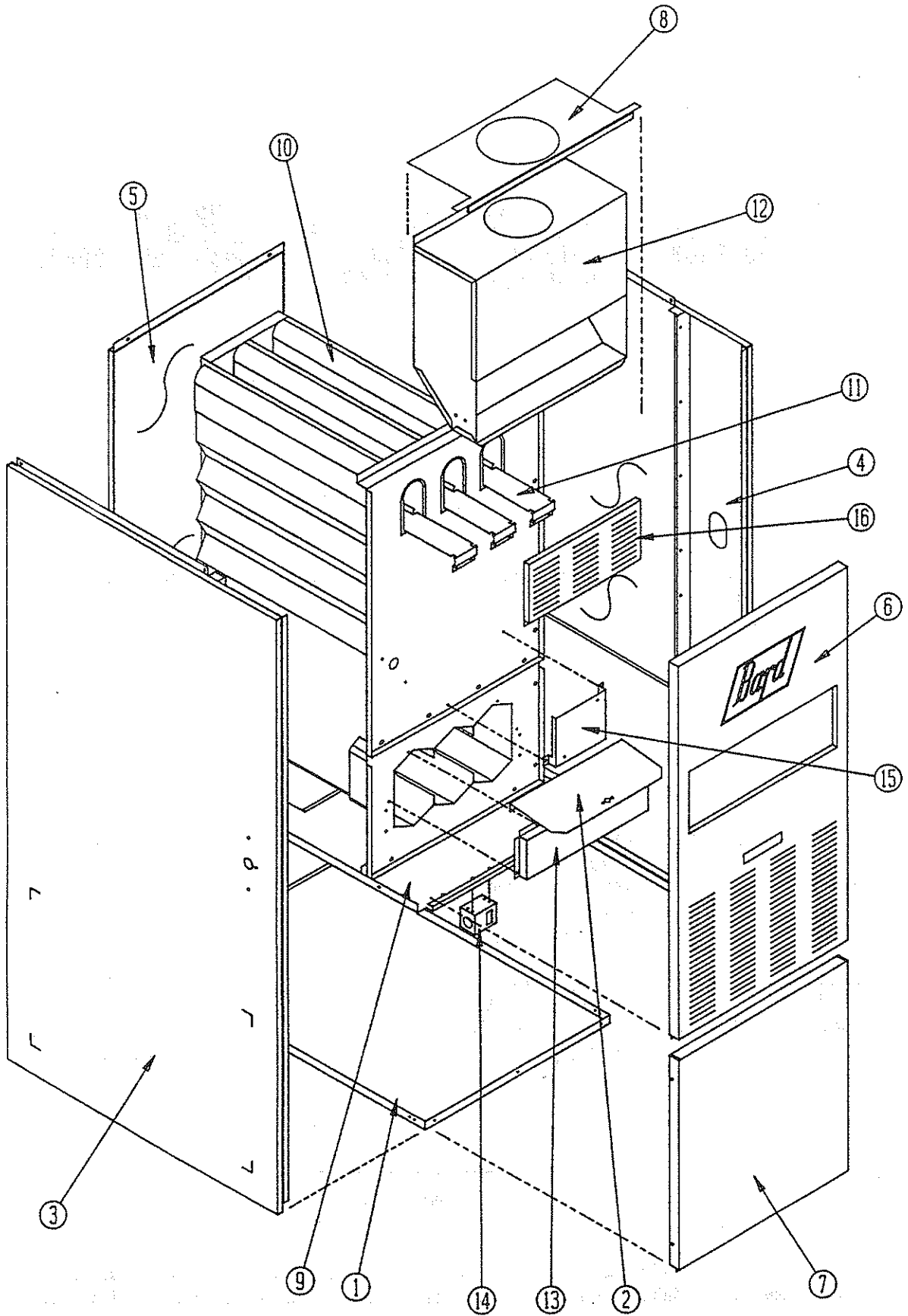
\*\*\*\*\*  
\*\* INDEX \*\*  
\*\*\*\*\*

<u>Page Description</u>	<u>Page</u>	<u>Date</u>	<u>Supersedes</u>
Cabinet Components--Exploded View	1	3-22-91	2-19-90
" " --Usage List	2	3-22-91	2-19-90
Cabinet Components--Exploded View	3	2-19-90	12-12-89
" " --Usage List	4	2-19-90	12-12-89
Functional Components--Exploded View	5	2-19-90	12-12-89
" " --Usage List	6	6-06-91	2-19-90
Functional Components--Exploded View	7	2-19-90	12-12-89
" " --Usage List	8	2-19-90	12-12-89
Functional Components--Exploded View	9	2-19-90	12-12-89
" " --Usage List	10	2-19-90	12-12-89

\*\*\*\*\*  
\*\*\* IMPORTANT \*\*\*  
\*\*\*\*\*

Contact the installing and/or local Bard distributor for all parts requirements. Make sure you have the complete model and serial number available from the unit rating plate.

CABINET COMPONENTS



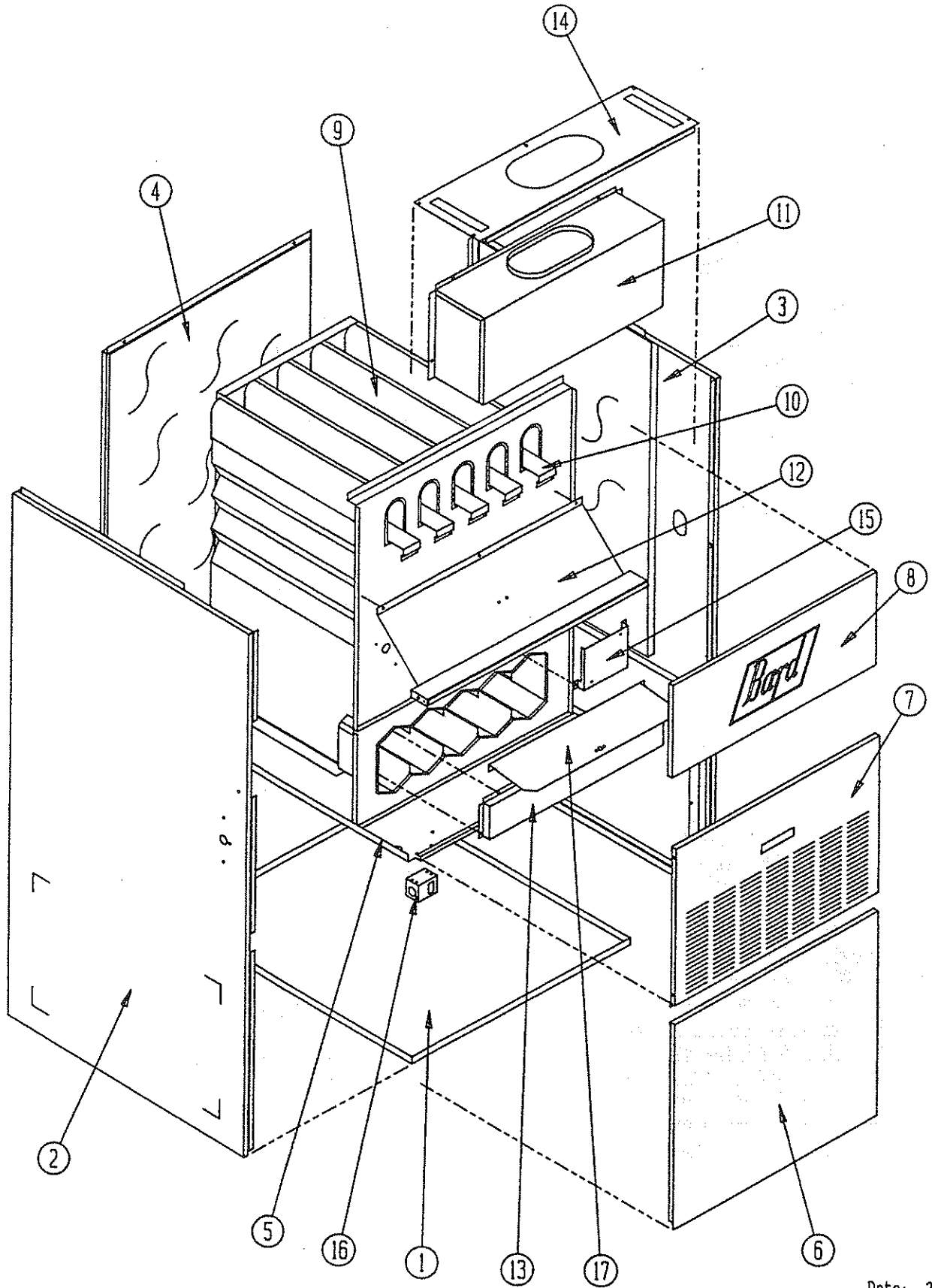
Date: 3-22-91  
Supersedes: 2-19-90

CABINET COMPONENTS

Item No.	Part No.	Description	H 6 0 D B	E 8 0 D B	H 8 0 D B	E 8 0 D 3 6 B	H 8 0 D 3 6 B	H 1 0 5 D 3 6 B	E 1 0 5 D 4 8 B	H 1 0 5 D 4 8 B	E 1 2 0 0 D 4 8 B	H 1 2 0 0 D 6 0 B	E 1 4 0 0 D 4 8 B	H 1 6 0 0 D 4 8 B	E 1 6 0 0 D 4 8 B
1	127-188	Lower Base	x	x	x	x	x								
1	127-189	Lower Base						x	x	x	x				
1	127-190	Lower Base										x	x	x	x
2	140-159	Switch Support	x	x	x	x	x								
2	140-160	Switch Support						x	x	x	x	x	x		
2	140-161	Switch Support												x	x
3	501-057	Left Side	x	x	x	x	x	x	x	x	x	x	x	x	x
4	501-059	Right Side	x	x	x	x	x	x	x	x	x	x	x	x	x
5	508-017	Back	x	x	x	x	x								
5	508-018	Back						x	x	x	x				
5	508-019	Back										x	x	x	x
6	152-036	Burner Door	x	x	x	x	x								
6	152-038	Burner Door						x	x	x	x	x			
6	152-042	Burner Door												x	x
6	152-131	Burner Door										x	x		
7	152-037	Blower Door	x	x	x	x	x								
7	152-039	Blower Door						x	x	x	x	x			
7	152-043	Blower Door											x	x	x
8	106-036	Top	x	x	x	x	x								
8	106-037	Top						x	x	x	x	x			
8	106-038	Top												x	x
8	106-100	Top										x	x		
9	127-118	Blower Base	x	x	x	x	x								
9	127-119	Blower Base						x	x	x	x	x			
9	127-120	Blower Base											x	x	x
10	171-136	Heat Exchanger	x	x	x	x	x								
10	171-161	Heat Exchanger						x	x	x	x	x			
10	171-150	Heat Exchanger											x	x	
10	171-145	Heat Exchanger													
11	168-015	Flue Baffles	2	2	2	2	2	3	3	3	3	3	3	3	4
12	913-0049	Draft Hood	x	x	x	x	x								
12	913-0056	Draft Hood						x	x	x	x				
12	913-0051	Draft Hood												x	x
12	913-0052	Draft Hood													
13	168-003	Secondary Air Baffle	x	x	x	x	x								
13	168-008	Secondary Air Baffle						x	x	x	x	x	x		
13	168-010	Secondary Air Baffle												x	x
14	112-031	Switch Bracket	x	x	x	x	x	x	x	x	x	x	x	x	x
15	112-099	Election Ignition Module Bracket		x		x		x		x		x		x	
16	168-014	Flue Restrictor	x	x											
16	168-016	Flue Restrictor						x	x	x	x				
16	168-017	Flue Restrictor												x	x

Date: 3-22-91  
Supersedes: 2-19-90

CABINET COMPONENTS



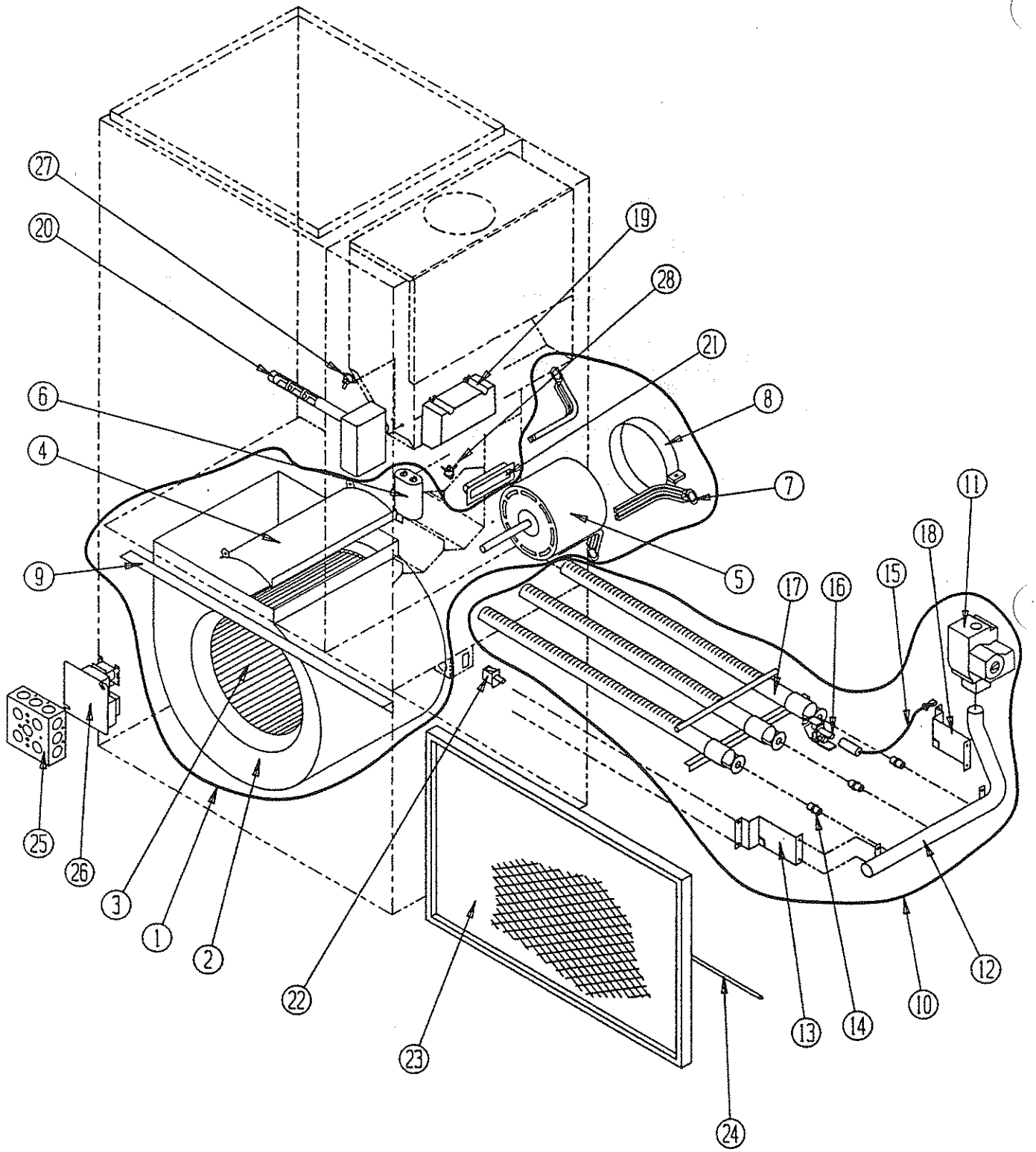
Date: 2-19  
Supersedes: 12-12-90

CABINET COMPONENTS

Dwg. No.	Part No.	Description	H	E
			2	H
			O	2
			O	O
			A	O
				A
1	126-051	Lower Base	x	x
2	501-063	Left Side	x	x
3	501-062	Right Side	x	x
4	508-020	Back	x	x
5	127-121	Blower Base	x	x
6	153-046	Blower Door	x	x
7	152-045	Burner Door	x	x
8	114-018	Upper Front	x	x
9	171-154	Heat Exchanger Assembly	x	x
10	168-015	Flue Baffles	x	x
11	913-0013	Draft Hood Assembly	x	x
12	913-0026	Diverter Seal Assembly	x	x
13	168-018	Secondary Air Baffle	x	x
14	106-039	Top	x	x
15	112-099	Bracket Electric Ignition Module		x
16	112-031	Switch Bracket	x	x
17	140-162	Switch Support	x	x

Date: 2-19-90  
 Supersedes: 12-12-89

FUNCTIONAL COMPONENTS



Date: 2-19-  
Supersedes: 12-12-89

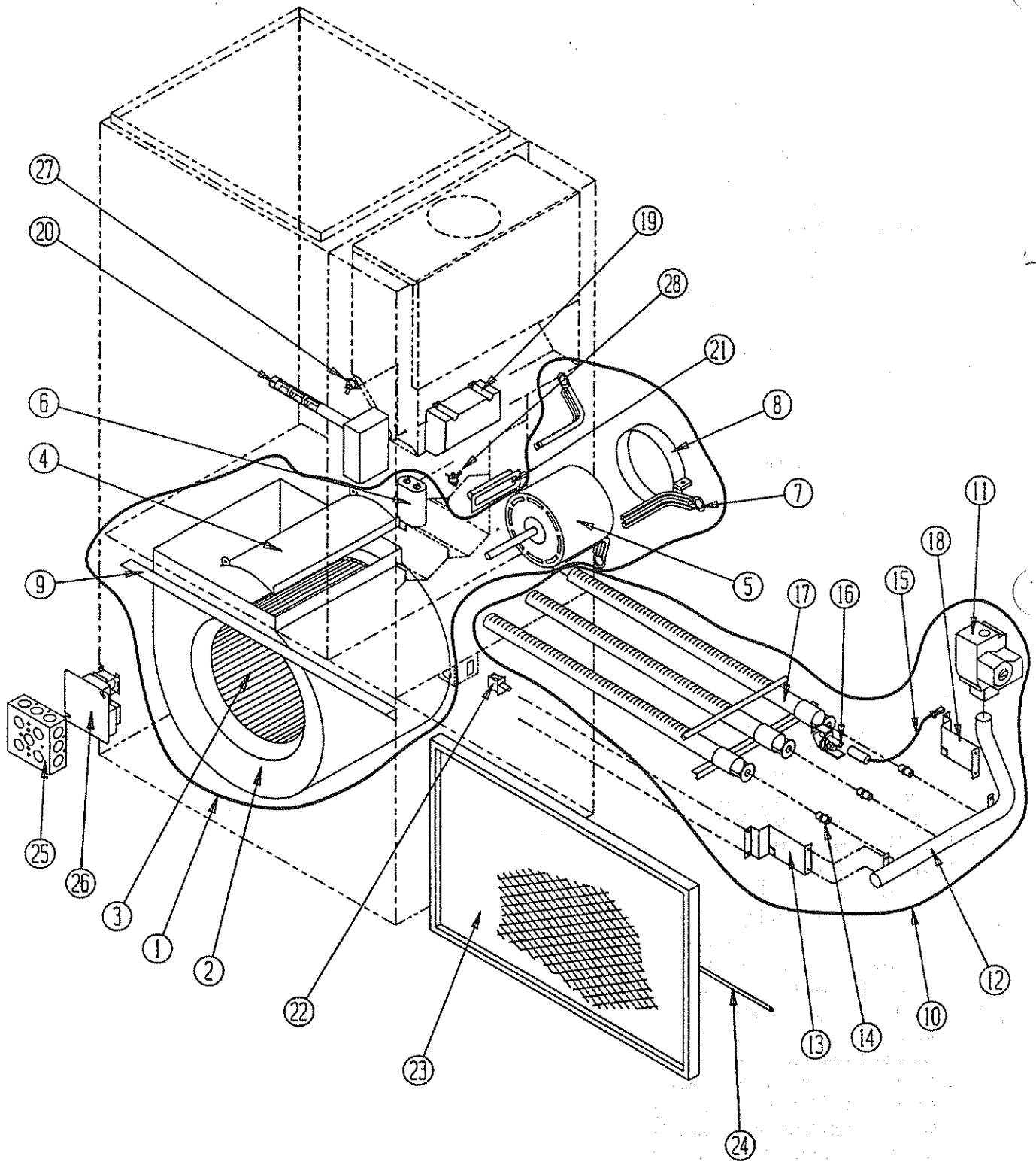
FUNCTIONAL COMPONENTS

Item No.	Part No.	Description	H 6 0 D B	E 6 0 D B	H 8 0 D B	E 8 0 D B	H 8 0 D 3 6 B	E 8 0 D 3 6 B	H 1 0 5 D 3 6 B	E 1 0 5 D 3 6 B	H 1 0 5 D 4 8 B	E 1 0 5 D 4 8 B	H 1 2 0 0 D 4 8 B	E 1 2 0 0 D 4 8 B	H 1 2 0 0 D 6 0 B	E 1 2 0 0 D 6 0 B	H 1 4 0 0 D 4 8 B	E 1 4 0 0 D 4 8 B	H 1 6 0 0 D 4 8 B	E 1 6 0 0 D 4 8 B	
1	900-105	Complete Blower Assembly	x	x																	
1	900-106	Complete Blower Assembly			x	x															
1	900-107	Complete Blower Assembly					x	x													
1	900-108	Complete Blower Assembly									x	x	x	x							
1	900-109	Complete Blower Assembly							x	x											
1	900-110	Complete Blower Assembly															x	x	x	x	
1	900-068	Complete Blower Assembly													x	x					
2	151-069	Blower Housing	x	x	x	x	x	x	x	x											
2	151-073	Blower Housing									x	x	x	x							
2	5152-050	Housing and Wheel Assembly													x	x					
2	151-074	Blower Housing															x	x	x	x	
3	5152-003	Blower Wheel	x	x																	
3	5152-004	Blower Wheel			x	x															
3	5152-010	Blower Wheel					x	x													
3	5152-014	Blower Wheel									x	x	x	x							
3	5152-010	Blower Wheel							x	x											
3	5152-059	Blower Wheel															x	x	x	x	
4	144-125	Diffuser	x	x	x	x	x	x	x	x											
4	144-128	Diffuser									x	x	x	x							
4	144-129	Diffuser															x	x	x	x	
5	8102-005	Motor	x	x	x	x															
5	8105-008	Motor					x	x	x	x											
5	8105-009	Motor									x	x	x	x							
5	8107-004	Motor													x	x					
5	8106-018	Motor															x	x	x	x	
6	8552-002	Capacitor 5/370					x	x	x	x	x	x	x	x							
6	8552-004	Capacitor 7-1/2 / 370															x	x	x	x	
6	8552-026	Capacitor 15/370													x	x					
7	8200-034	Motor Mount Arms	3	3	3	3					3	3	3	3			3	3	3	3	
7	8200-036	Motor Mount Arms					3	3	3	3											
7	8200-035	Motor Mount Arms													3	3					
8	8200-033	Motor Mount Band	x	x	x	x	x	x	x	x	x	x	x	x	x	x	x	x	x	x	x
9	104-793	Blower Angle	2	2	2	2	2	2													
9	104-790	Blower Angle							2	2											
9	104-792	Blower Angle									2	2	2	2			2	2	2	2	
9	104-733	Blower Angle												2	2						
10	901-0042	Complete Burner Assembly	x																		
10	901-0040	Complete Burner Assembly		x																	
10	901-0043	Complete Burner Assembly			x		x														
10	901-0044	Complete Burner Assembly				x		x													
10	901-0052	Complete Burner Assembly							x		x										
10	901-0054	Complete Burner Assembly								x		x									
10	901-0053	Complete Burner Assembly											x		x						
10	901-0055	Complete Burner Assembly												x		x					
10	901-0063	Complete Burner Assembly															x				
10	901-0065	Complete Burner Assembly																x			
10	901-0064	Complete Burner Assembly																		x	
10	901-0066	Complete Burner Assembly																			x
	8620-040	Pilot Gas Tube With Fittings	x	x	x	x	x	x	x	x	x	x	x	x	x	x	x	x	x	x	x

Date: 6-06-91

Supersedes: 2-19-90

FUNCTIONAL COMPONENTS



Date: 2-19  
Supersedes: 12-12-89

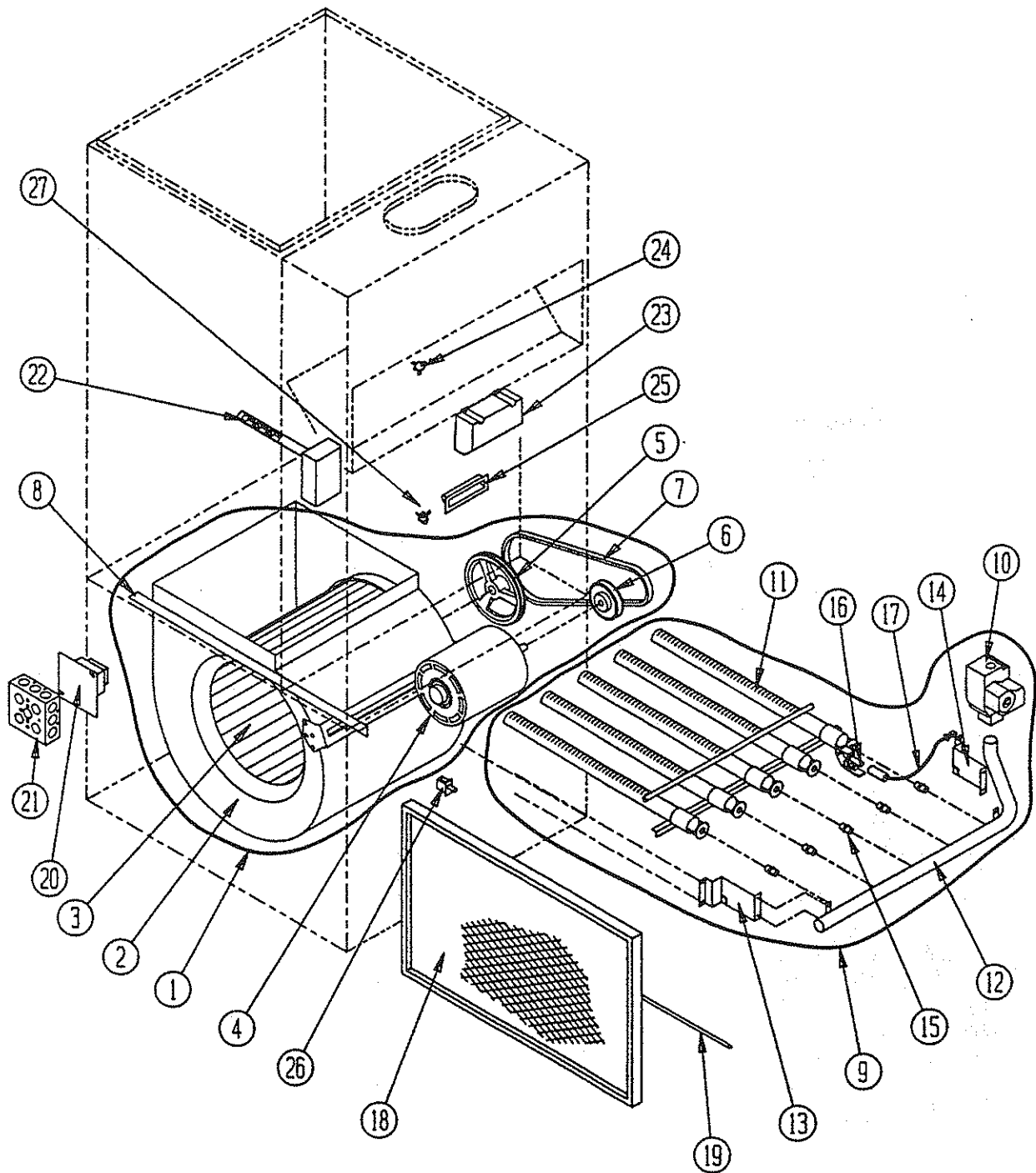


FUNCTIONAL COMPONENTS

Item No.	Part No.	Description	H 6 0 D B	E 6 0 D B	H 8 0 D B	E 8 0 D 3 6 B	H 8 0 D 3 6 B	H 1 0 5 D 3 6 B	E 1 0 5 D 3 6 B	H 1 0 5 D 4 8 B	E 1 0 5 D 4 8 B	H 1 2 0 4 8 B	E 1 2 0 4 8 B	H 1 2 0 6 0 B	E 1 2 0 6 0 B	H 1 4 0 4 8 B	E 1 4 0 4 8 B	H 1 6 0 4 8 B	E 1 6 0 4 8 B
11	5651-061	Gas Valve	x		x	x	x	x	x	x	x	x	x						
11	5651-062	Gas Valve		x		x		x		x		x		x					
11	5651-032	Gas Valve														x		x	
11	5651-023	Gas Valve															x		x
12	5818-019	Burner Manifold	x	x	x	x	x												
12	5818-020	Burner Manifold						x	x	x	x	x	x	x					
12	5818-021	Burner Manifold														x	x	x	x
13	112X095	Left Manifold Bracket	x	x	x	x	x	x	x	x	x	x	x	x	x	x	x	x	x
14	9010-010	Burner Orifice	2	2															
14	9010-008	Burner Orifice			2	2	2	2										4	4
14	9010-009	Burner Orifice						3	3	3	3					4	4		
15	8554-003	Thermocouple 18"	x		x		x		x		x		x		x		x		
15	8600-009	Ignition Wire		x		x		x		x		x		x		x		x	
16	8554-002	Standing Pilot	x		x		x		x		x		x		x		x		
16	8554-009	Intermittent Pilot		x		x		x		x		x		x		x		x	
17	9010-036	Burner 2-Cell	x	x	x	x	x												
17	9010-037	Burner 3-Cell						x	x	x	x	x	x	x					
17	9010-038	Burner 4-Cell														x	x	x	x
18	112X095	Right Manifold Bracket	x	x	x	x	x	x	x	x	x	x	x	x	x	x	x	x	x
19	5651-073	Ignition Module		x		x		x		x		x		x		x		x	
20	8402-001	Fan and Limit Control	x	x	x	x													
20	8402-042	Fan and Limit Control					x	x	x	x	x	x	x	x	x	x	x	x	x
21	1171-025	Plastic Door Pull	x	x	x	x	x	x	x	x	x	x	x	x	x	x	x	x	x
22	8406-013	Switch	x	x	x	x	x	x	x	x	x	x	x	x	x	x	x	x	x
23	7003-004	Filter 16 x 25 x 1	x	x	x	x	x	x	x	x	x	x	x	2	2	x	x	x	x
24	5401-002	Spring	x	x	x	x	x	x	x	x	x	x	x	2	2	x	x	x	x
25	8614-001	Square Outlet Box	x	x	x	x	x	x	x	x	x	x	x	x	x	x	x	x	x
26	8407-006	Transformer	x		x														
26	8407-025	Transformer		x		x													
26	8201-006	Fan Center					x	x	x	x	x	x	x	x	x	x	x	x	x
27	8406-034	Spill Switch	x	x				x	x	x	x								
27	8406-036	Spill Switch			x	x	x									x	x		
27	8406-037	Spill Switch										x	x	x	x				
27	8406-038	Spill Switch																x	x
28	8406-038	Flame Rollout Switch	x	x	x	x	x	x	x	x	x	x	x	x	x				
28	8406-046	Flame Rollout Switch														x	x	x	x
	4046-110	Wiring Diagram	x		x														
	4046-112	Wiring Diagram				x		x		x		x		x				x	
	4046-114	Wiring Diagram		x		x													
	4046-116	Wiring Diagram					x		x		x		x		x				x

Date: 2-19-90  
Supersedes: 12-12-89

FUNCTIONAL COMPONENTS



Date: 2-19  
Supersedes: 12-12-89

FUNCTIONAL COMPONENTS

Dwg. No.	Part No.	Description	H 2 O O A	E H 2 O O A
1	900-019	Blower Assembly	x	x
2	5152-041	Blower Housing, Wheel and Assembly	x	x
3	5152-042	Blower Wheel Only	x	x
4	8106-001	Motor	x	x
5	5501-012	Cast Iron Pulley	x	x
6	5501-015	Cast Iron Pulley	x	x
7	5601-004	Belt 39"	x	x
8	104-731	Angle	x	x
9	901-0078	Burner Assembly		x
9	901-0077	Burner Assembly	x	
10	5651-023	Natural Valve		x
10	5651-032	Natural Valve	x	
11	9010-039	Burner 5-Cell	x	x
12	5818-022	Burner Manifold	x	x
13	112Y095	Left Manifold Bracket	x	x
14	112X095	Right Manifold Bracket	x	x
15	9010-008	Orifice	x	x
16	8554-009	Intermittent Pilot		x
16	8554-002	Standing Pilot	x	
17	8600-009	Ignition Wire		x
18	7003-004	Filter 16 x 25 x 1	x	x
19	5401-002	Spring	x	x
20	8407-025	Transformer		x
20	8407-006	Transformer	x	
21	8614-001	Square Outlet Box 4"	x	x
22	8402-007	Fan and Limit Control	x	x
23	5651-073	Ignition Module		x
24	8406-038	Spill Switch	x	x
25	1171-025	Door Pull	x	x
26	8406-013	Switch	x	x
27	8406-046	Flame Rollout Switch	x	x
	4046-110	Wiring Diagram	x	
	4046-112	Wiring Diagram		x

Date: 2-19-90  
Supersedes: 12-12-89

(

1. The first part of the document discusses the importance of maintaining accurate records of all transactions. It emphasizes that this is crucial for ensuring the integrity of the financial statements and for providing a clear audit trail. The document also notes that proper record-keeping is essential for identifying and correcting errors in a timely manner.

(

2. The second part of the document focuses on the role of internal controls in preventing fraud and misstatements. It highlights that a strong internal control system is necessary to ensure that all transactions are properly authorized, recorded, and reviewed. The document also discusses the importance of segregation of duties and the need for regular monitoring and evaluation of the internal control system.

(