

REPLACEMENT PARTS MANUAL

COUNTERFLOW
GAS FIRED FURNACES
MODELS C60DA, C80D36A, C105D42A, C120D42A, C140D48A, C160D48A
EC60DA, EC80D36A, EC105D42A, EC120D42A, EC140D48A,
EC160D48A

Manual 2110-852

Revision A

Date 2-19-90

Supersedes 12-01-89

* GENERAL NOTES *

*Revised and/or additional pages may be issued from time to time.
*A complete and current manual consists of pages dated as shown in the following index.

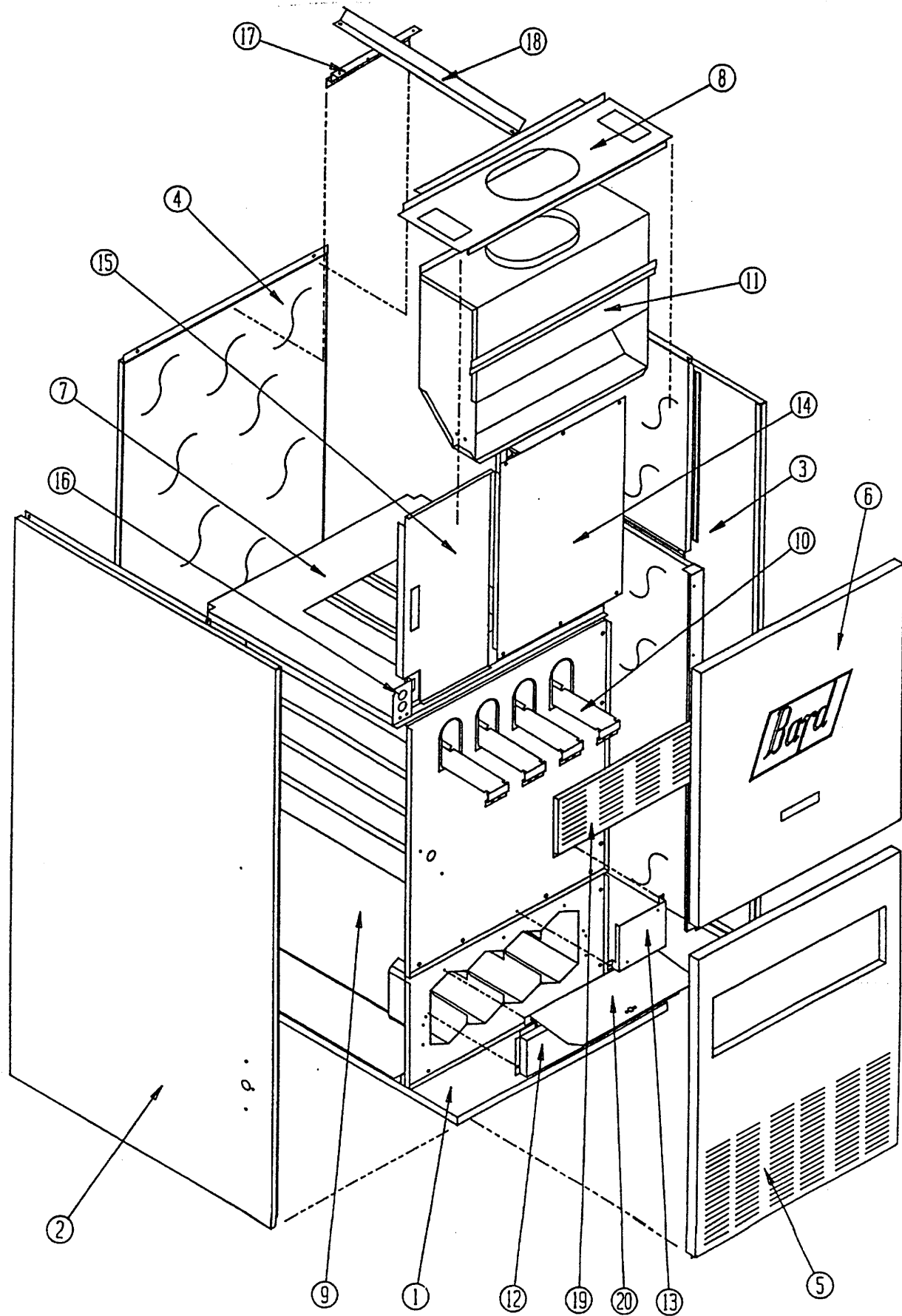
** INDEX **

<u>Page Description</u>	<u>Page</u>	<u>Date</u>	<u>Supersedes</u>
Cabinet Components--Exploded View	1	2-19-90	12-01-89
II II --Usage List	2	2-19-90	12-01-89
Functional Components--Exploded View	3	2-19-90	12-01-89
" II --Usage List	4	12-01-89	
Functional Components--Exploded View	5	2-19-90	12-01-89
II II -- Usage Li st	6	2-19-90	12-01-89

*** IMPORTANT ***

Contact the installing and/or local Bard distributor for all parts requirements. Make sure you have the complete model and serial number available from the unit rating plate.

CABINET COMPONENTS



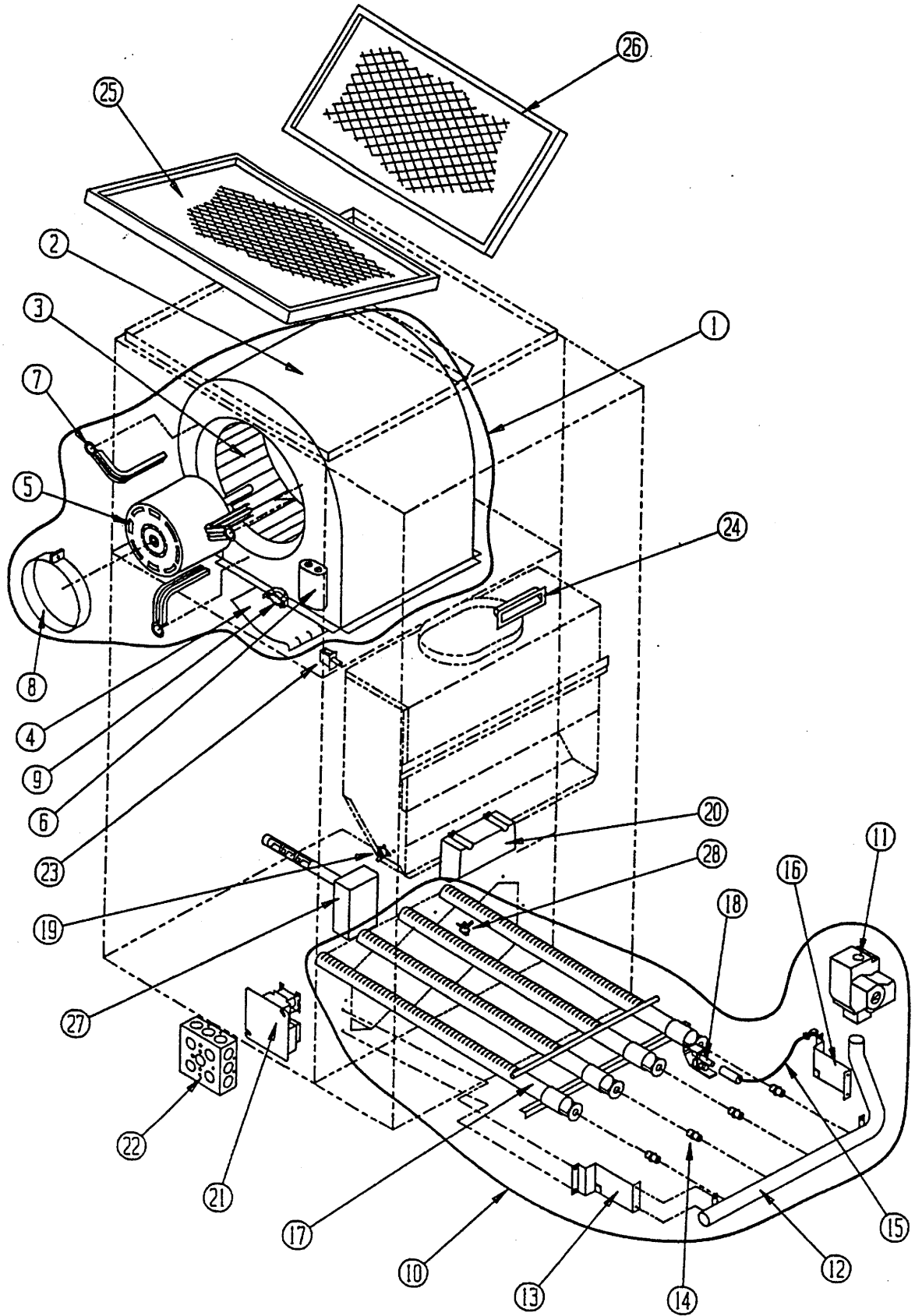
Date: 2-19-90
Supersedes: 12-01-89

CABINET COMPONENTS

Item No.	Part No.	Description	C	E	C	E	C	E	C	E	C	E	C	E
			6	6	8	8	1	1	1	1	1	1	1	1
			O	O	O	O	O	O	O	O	O	O	O	O
			D	D	D	D	D	D	D	D	D	D	D	D
			A	A	A	A	A	A	A	A	A	A	A	A
1	127-039	Lower Base	X	X	X	X								
1	127-041	Lower Base					X	X	X	X				
1	127-043	Lower Base									X	X	X	X
2	501-126	Left Side	X	X	X	X	X	X	X	X	X	X	X	X
3	501-153	Right Side	X	X	X	X	X	X	X	X	X	X	X	X
4	508-017	Back	X	X	X	X								
4	508-018	Back					X	X	X	X				
4	508-019	Back									X	X	X	X
5	152-027	Burner Door	X	X	X	X								
5	152-031	Burner Door					X	X	X	X				
5	152-035	Burner Door									X	X	X	X
6	152-126	Blower Door	X	X	X	X								
6	152-127	Blower Door					X	X	X	X				
6	152-128	Blower Door									X	X	X	X
7	126-038	Blower Base	X	X	X	X								
7	126-040	Blower Base					X	X	X	X				
7	126-044	Blower Base									X	X	X	X
8	107-033	Top	X	X	X	X								
8	107-034	Top					X	X	X	X				
8	107-035	Top									X	X	X	X
9	171-148	Heat Exchanger	X	X	X	X								
9	171-139	Heat Exchanger					X	X	X	X				
9	171-143	Heat Exchanger									X	X	X	X
10	168-015	Flue Baffles	2	2	2	2	3	3	3	3	4	4	4	4
11	913-0053	Draft Hood	X	X	X	X								
11	913-0054	Draft Hood					X	X	X	X				
11	913-0055	Draft Hood									X	X	X	X
12	168-003	Secondary Air Baffle	X	X	X	X								
12	168-008	Secondary Air Baffle					X	X	X	X				
12	168-010	Secondary Air Baffle									X	X	X	X
13	112-099	Electric Ignition Module Bracket		X		X		X		X		X		X
14	152-119	Right Filter Door	X	X	X	X								
14	152-121	Right Filter Door					X	X	X	X				
14	152-123	Right Filter Door									X	X	X	X
15	152-120	Left Filter Door	X	X	X	X								
15	152-122	Left Filter Door					X	X	X	X	X	X	X	X
16	112-028	Switch Bracket	X	X	X	X	X	X	X	X	X	X	X	X
17	130-062	Filter Support	X	X	X	X	X	X	X	X	X	X	X	X
18	130-023	Filter Support	X	X	X	X	X	X	X	X	X	X	X	X
19	168-014	Flue Restrictor	X	X										
19	168-016	Flue Restrictor					X	X						
19	168-017	Flue Restrictor									X	X		
20	140-159	Switch Support	X	X	X	X								
20	140-160	Switch Support					X	X	X	X				
20	140-161	Switch Support									X	X	X	X

Date: 2-19-90
Supersedes: 12-01-89

FUNCTIONAL COMPONENTS



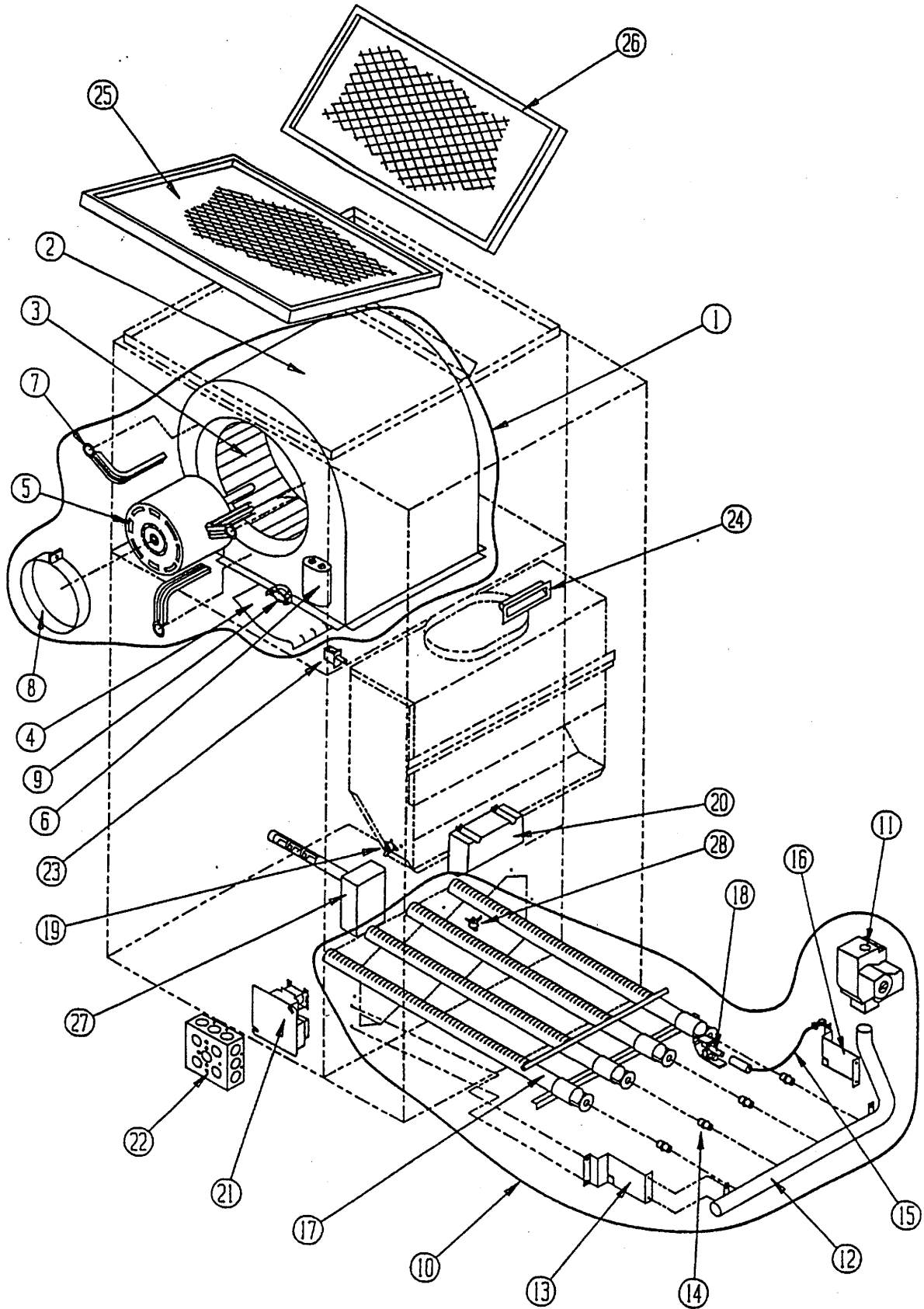
Date: 2-19-90
Supersedes: 12-01-89

FUNCTIONAL COMPONENTS

Item No.	Part No.	Description	C 6 0 D A	E 6 0 D A	C 8 0 D 3 6 A	E 8 0 D 3 6 A	C 1 0 5 D 4 2 A	E 1 0 5 D 4 2 A	C 1 2 0 0 D 4 2 A	E 1 2 0 0 D 4 2 A	C 1 4 0 D 4 8 A	E 1 4 0 D 4 8 A	C 1 6 0 D 4 8 A	E 1 6 0 D 4 8 A
1	900-112	Complete Blower Assembly	X	X										
1	900-113	Complete Blower Assembly			X	X								
1	900-115	Complete Blower Assembly					X	X	X	X				
1	900-117	Complete Blower Assembly									X	X	X	X
2	151-075	Blower Housing	X	X	X	X								
2	151-076	Blower Housing					X	X	X	X				
2	151-077	Blower Housing									X	X	X	X
3	5152-004	Blower Wheel	X	X										
3	5152-010	Blower Wheel			X	X								
3	5152-014	Blower Wheel					X	X	X	X				
3	5152-059	Blower Wheel									X	X	X	X
4	144-125	Diffuser	X	X	X	X								
4	144-128	Diffuser					X	X	X	X				
4	144-129	Diffuser									X	X	X	X
5	8102-005	Motor	X	X										
5	8105-008	Motor			X	X								
5	8105-009	Motor					X	X	X	X				
5	8106-018	Motor									X	X	X	X
6	8552-002	Capacitor 5/370			X	X	X	X	X	X				
6	8552-004	Capacitor 7-1/2 /370									X	X	X	X
7	8200-034	Motor Mount Arms	3	3			3	3	3	3	3	3	3	3
7	8200-036	Motor Mount Arms			3	3								
8	8200-033	Motor Mount Band	X	X	X	X	X	X	X	X	X	X	X	X
9	8402-050	Limit Control	X	X	X	X	X	X	X	X	X	X	X	X
10	901-0042	Complete Burner Assembly	X											
10	901-0040	Complete Burner Assembly		X										
10	901-0043	Complete Burner Assembly			X									
10	901-0044	Complete Burner Assembly				X								
10	901-0052	Complete Burner Assembly					X							
10	901-0054	Complete Burner Assembly						X						
10	901-0053	Complete Burner Assembly							X					
10	901-0055	Complete Burner Assembly								X				
10	901-0063	Complete Burner Assembly									X			
10	901-0065	Complete Burner Assembly										X		
10	901-0064	Complete Burner Assembly											X	
10	901-0066	Complete Burner Assembly												X
11	5651-061	Gas Valve	X		X		X		X				X	
11	5651-032	Gas Valve									X		X	
11	5651-062	Gas Valve		X		X		X		X				
11	5651-023	Gas Valve										X		X

Date: 12-01-89
Supersedes:

FUNCTIONAL COMPONENTS



Date: 2-19-90
Supersedes: 12-01-89

FUNCTIONAL COMPONENTS

Item No.	Part No.	Description	C	E	C	E	C	E	C	E	C	E	C	E
			6	6	8	8	1	1	1	1	1	1	1	1
			0	0	0	0	0	0	0	0	0	0	0	0
			A	A	A	A	A	A	A	A	A	A	A	A
12	5818-019	Burner Manifold	X	X	X	X								
12	5818-020	Burner Manifold					X	X	X	X				
12	5818-021	Burner Manifold									X	X	X	X
13	112Y095	Left Manifold Bracket	X	X	X	X	X	X	X	X	X	X	X	X
14	9010-010	Burner Orifice	2	2										
14	9010-008	Burner Orifice			2	2			3	3			4	4
14	9010-009	Burner Orifice					3	3			4	4		
15	8554-003	Thermocouple 18"	X		X		X		X		X		X	
15	8600-009	Ignition Wire		X		X		X		X		X		X
16	112X095	Right Manifold Bracket	X	X	X	X	X	X	X	X	X	X	X	X
17	9010-036	Burner 2-cell	X	X	X	X								
17	9010-037	Burner 3-cell					X	X	X	X				
17	9010-038	Burner 4-cell									X	X	X	X
18	8554-002	Standing Pilot	X		X		X		X		X		X	
18	8554-009	Intermittent Pilot		X		X		X		X		X		X
19	8406-032	Spill Switch	X	X			X	X						
19	8406-036	Spill Switch			X	X								
19	8406-034	Spill Switch						X	X					
19	8406-033	Spill Switch								X	X			
19	8406-035	Spill Switch											X	X
20	5651-073	Ignition Module		X		X		X		X		X		X
21	8407-006	Transformer	X											
21	8407-025	Transformer		X										
21	8201-006	Fan Center			X	X	X	X	X	X	X	X	X	X
22	8614-001	Square Outlet Box	X	X	X	X	X	X	X	X	X	X	X	X
23	8406-013	Switch	X	X	X	X	X	X	X	X	X	X	X	X
24	1171-025	Plastic Door Pull	X	X	X	X	X	X	X	X	X	X	X	X
25	7003-003	Filter 15 x 20 x 1	X	X	X	X					X	X	X	X
25	7003-001	Filter 10 x 20 x 1					X	X	X	X				
26	7003-001	Filter 10 x 20 x 1					X	X	X	X				
27	8402-046	Fan and Limit Control	X	X	X	X	X	X	X	X				
27	8402-045	Fan and Limit Control									X	X	X	X
28	8406-038	Flame Rollout Switch	X	X	X	X	X	X	X	X				
28	8406-046	Flame Rollout Switch									X	X	X	X
	4046-111	Wiring Diagram	X											
	4046-113	Wiring Diagram			X		X		X		X		X	
	4046-115	Wiring Diagram		X										
	4046-117	Wiring Diagram				X		X		X		X		X

Date: 2-01-90
Supersedes: 12-01-89