

REPLACEMENT PARTS MANUAL

COUNTERFLOW
GAS FIRED FURNACES
MODELS C60DA, C80D36A, C105D42A, C120D42A, C140D48A, C160D48A
EC60DA, EC80D36A, EC105D42A, EC120D42A, EC140D48A, EC160D48A

Manual 2110-852

Revision B

Date 6-06-91

Supersedes 2-19-90

GENERAL NOTES

*Revised and/or additional pages may be issued from time to time.
*A complete and current manual consists of pages dated as shown in the following index.

** INDEX **

<u>Page</u>	<u>Description</u>	<u>Page</u>	<u>Date</u>	<u>Supersedes</u>
	Cabinet Components--Exploded View	1	2-19-90	12-01-89
" II	--Usage List	2	2-19-90	12-01-89
	Functional Components--Exploded View	3	2-19-90	12-01-89
II II	--Usage List	4	12-01-89	
	Functional Components--Exploded View	5	2-19-90	12-01-89
II II	--Usage List	6	6-06-91	2-19-90

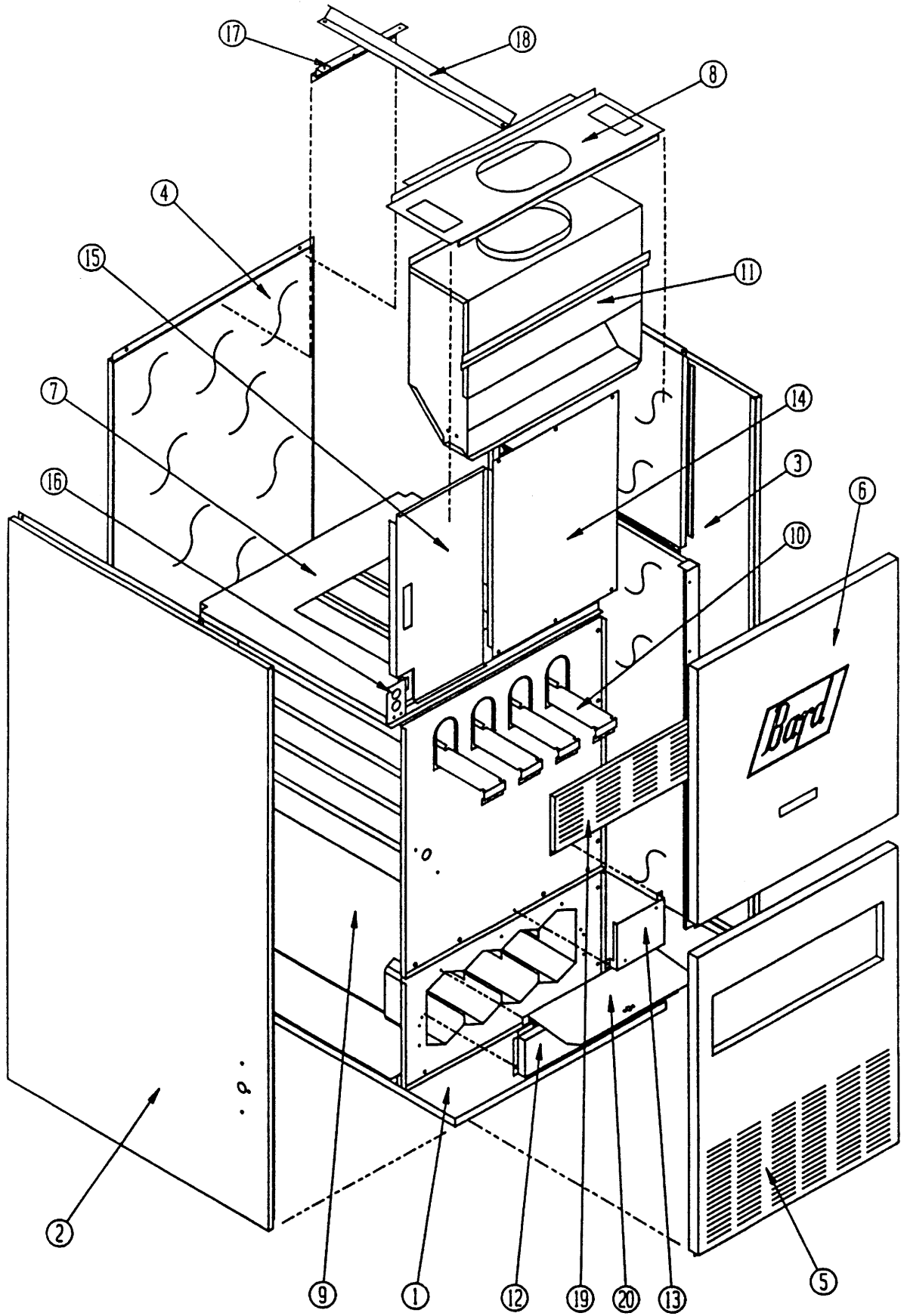
*** IMPORTANT ***

Contact the installing and/or local Bard distributor for all parts requirements. Make sure you have the complete model and serial number available from the unit rating plate.

BARD MANUFACTURING COMPANY

BRYAN, OHIO 43506

CABINET COMPONENTS



Date: 2-19-90
Supersedes: 12-01-89

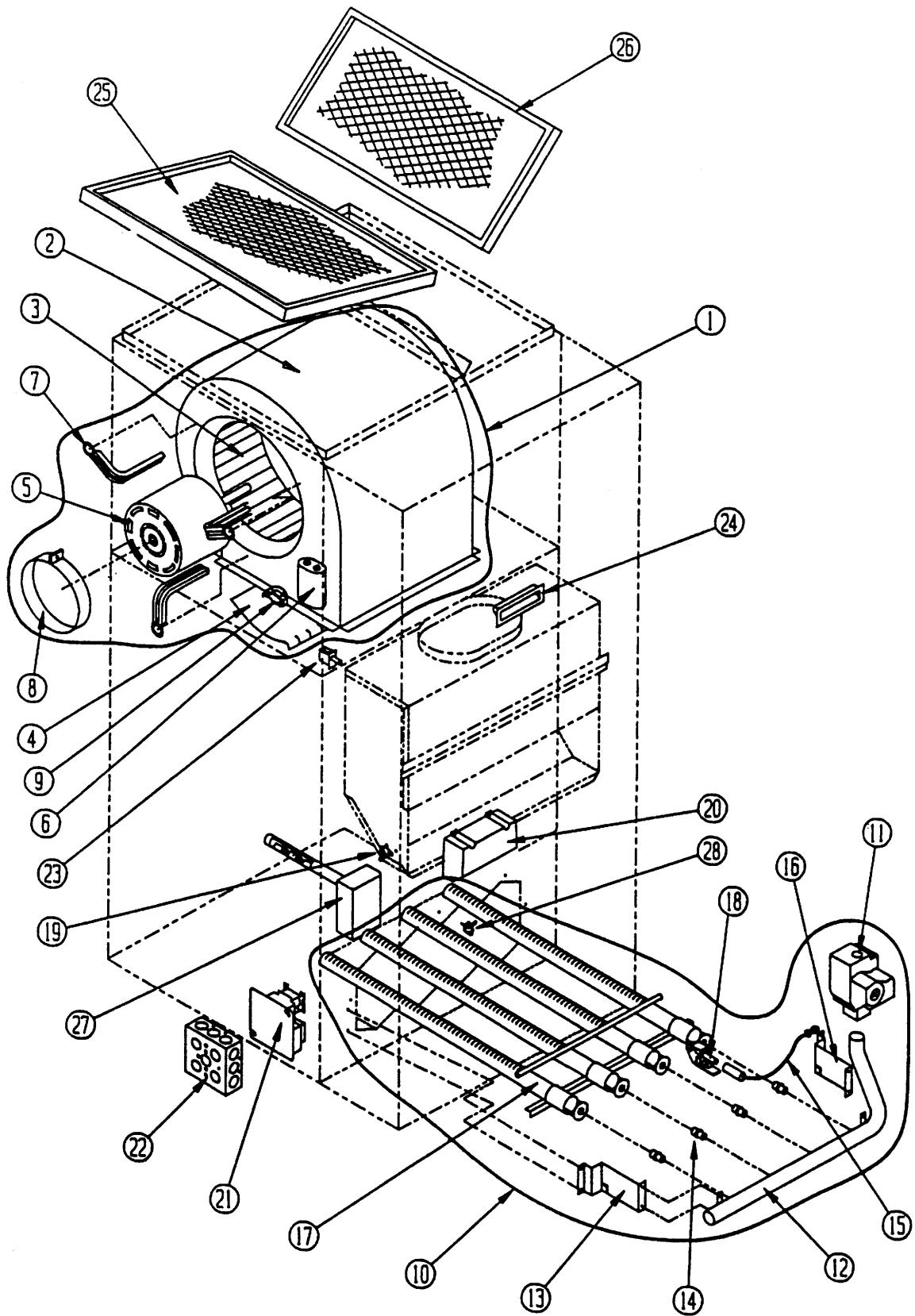
CABINET COMPONENTS

Item No.	Part No.	Description	C 6 O D A	E 6 O D A	C 8 O D 3 A	E 8 O D 3 A	C 1 O 5 D 4 A	E 1 O 5 D 4 A	C 1 O 0 D 4 A	E 1 O 0 D 4 A	C 1 O 2 D 4 A	E 1 O 2 D 4 A	C 1 O 4 D 8 A	E 1 O 4 D 8 A	C 1 O 6 D 4 A	E 1 O 6 D 4 A
1	127-039	Lower Base	X	X	X	X										
1	127-041	Lower Base					X	X	X	X						
1	127-043	Lower Base									X	X	X	X		
2	501-126	Left Side	X	X	X	X	X	X	X	X	X	X	X	X	X	X
3	501-153	Right Side	X	X	X	X	X	X	X	X	X	X	X	X	X	X
4	508-017	Back	X	X	X	X										
4	508-018	Back					X	X	X	X						
4	508-019	Back									X	X	X	X		
5	152-027	Burner Door	X	X	X	X										
5	152-031	Burner Door					X	X	X	X						
5	152-035	Burner Door									X	X	X	X		
6	152-126	Blower Door	X	X	X	X										
6	152-127	Blower Door					X	X	X	X						
6	152-128	Blower Door									X	X	X	X		
7	126-038	Blower Base	X	X	X	X										
7	126-040	Blower Base					X	X	X	X						
7	126-044	Blower Base									X	X	X	X		
8	107-033	Top	X	X	X	X										
8	107-034	Top					X	X	X	X						
8	107-035	Top									X	X	X	X		
9	171-148	Heat Exchanger	X	X	X	X										
9	171-139	Heat Exchanger					X	X	X	X						
9	171-143	Heat Exchanger									X	X	X	X		
10	168-015	Flue Baffles	2	2	2	2	3	3	3	3	4	4	4	4		
11	913-0053	Draft Hood	X	X	X	X										
11	913-0054	Draft Hood					X	X	X	X						
11	913-0055	Draft Hood									X	X	X	X		
12	168-003	Secondary Air Baffle	X	X	X	X										
12	168-008	Secondary Air Baffle					X	X	X	X						
12	168-010	Secondary Air Baffle									X	X	X	X		
13	112-099	Electric Ignition Module Bracket		X		X		X		X		X		X		X
14	152-119	Right Filter Door	X	X	X	X										
14	152-121	Right Filter Door					X	X	X	X						
14	152-123	Right Filter Door									X	X	X	X		
15	152-120	Left Filter Door	X	X	X	X										
15	152-122	Left Filter Door					X	X	X	X	X	X	X	X	X	X
16	112-028	Switch Bracket	X	X	X	X	X	X	X	X	X	X	X	X	X	X
17	130-062	Filter Support	X	X	X	X	X	X	X	X	X	X	X	X	X	X
18	130-023	Filter Support	X	X	X	X	X	X	X	X	X	X	X	X	X	X
19	168-014	Flue Restrictor	X	X												
19	168-016	Flue Restrictor					X	X								
19	168-017	Flue Restrictor									X	X				
20	140-159	Switch Support	X	X	X	X										
20	140-160	Switch Support					X	X	X	X						
20	140-161	Switch Support									X	X	X	X		

Date: 2-19-90
Supersedes: 12-01-89

2110-852

FUNCTIONAL COMPONENTS



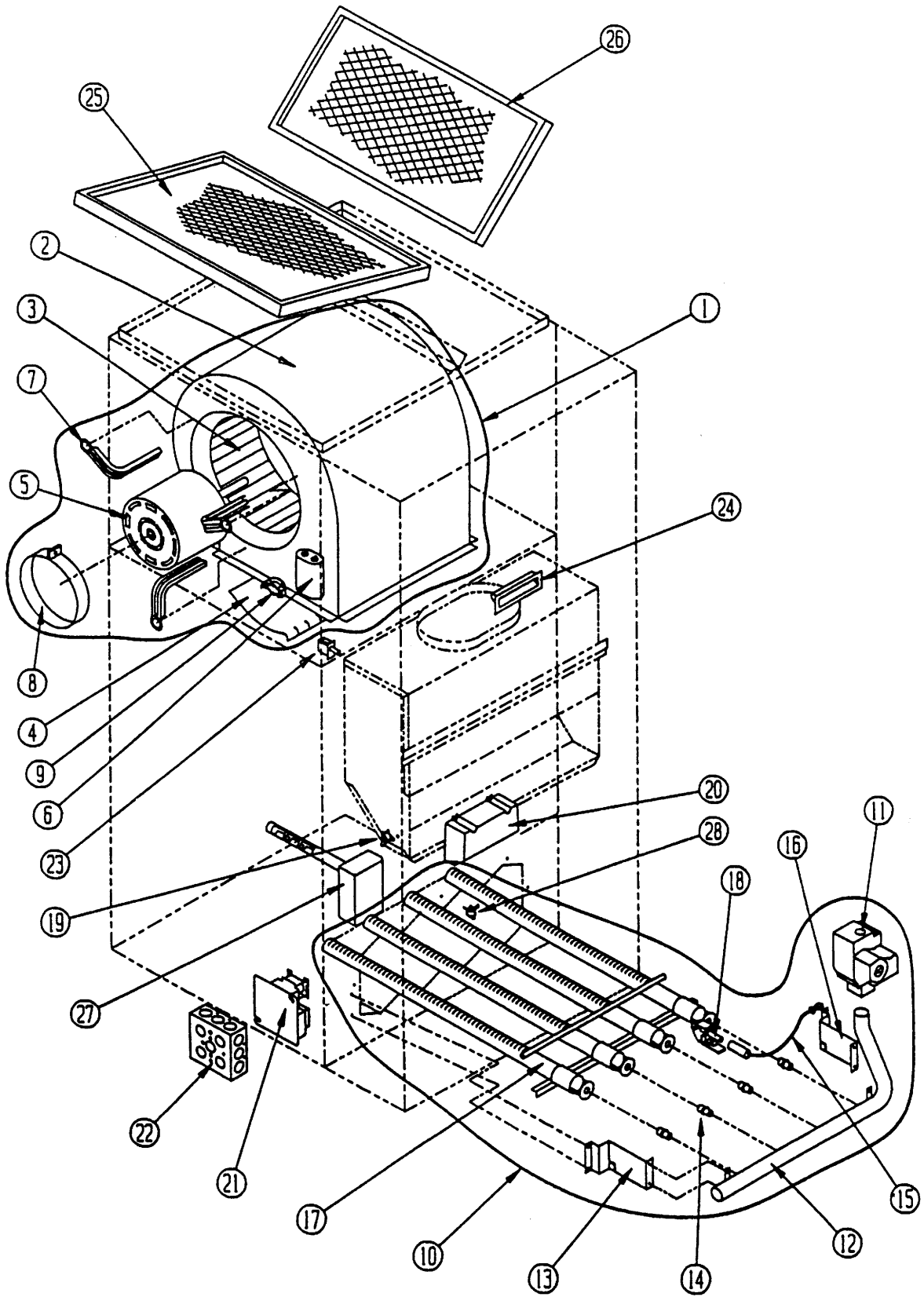
Date: 2-19-90
Supersedes: 12-01-89

FUNCTIONAL COMPONENTS

Item No.	Part No.	Description	C 6 O D A	E C O D A	C 8 O D 3 A	E C 8 O D 3 A	C 1 O D 4 A	E C 1 O D 4 A	C 1 O D 2 A	E C 1 O D 2 A	C 1 O D 4 A	E C 1 O D 4 A	C 1 O D 4 A	E C 1 O D 4 A	C 1 O D 4 A	E C 1 O D 4 A
1	900-112	Complete Blower Assembly	x	x												
1	900-113	Complete Blower Assembly			x	x										
1	900-115	Complete Blower Assembly					x	x	x	x						
1	900-117	Complete Blower Assembly									x	x	x	x		
2	151-075	Blower Housing	x	x	x	x										
2	151-076	Blower Housing					x	x	x	x						
2	151-077	Blower Housing									x	x	x	x		
3	5152-004	Blower Wheel	x	x												
3	5152-010	Blower Wheel			x	x										
3	5152-014	Blower Wheel					x	x	x	x						
3	5152-059	Blower Wheel									x	x	x	x		
4	144-125	Diffuser	x	x	x	x										
4	144-128	Diffuser					x	x	x	x						
4	144-129	Diffuser									x	x	x	x		
5	8102-005	Motor	x	x												
5	8105-008	Motor			x	x										
5	8105-009	Motor					x	x	x	x						
5	8106-018	Motor									x	x	x	x		
6	8552-002	Capacitor 5/370			x	x	x	x	x	x						
6	8552-004	Capacitor 7-1/2 /370									x	x	x	x		
7	8200-034	Motor Mount Arms	3	3			3	3	3	3	3	3	3	3	3	3
7	8200-036	Motor Mount Arms			3	3										
8	8200-033	Motor Mount Band	x	x	x	x	x	x	x	x	x	x	x	x	x	x
9	8402-050	Limit Control	x	x	x	x	x	x	x	x	x	x	x	x	x	x
10	901-0042	Complete Burner Assembly	x													
10	901-0040	Complete Burner Assembly		x												
10	901-0043	Complete Burner Assembly			x											
10	901-0044	Complete Burner Assembly				x										
10	901-0052	Complete Burner Assembly					x									
10	901-0054	Complete Burner Assembly						x								
10	901-0053	Complete Burner Assembly							x							
10	901-0055	Complete Burner Assembly								x						
10	901-0063	Complete Burner Assembly									x					
10	901-0065	Complete Burner Assembly										x				
10	901-0064	Complete Burner Assembly											x			
10	901-0066	Complete Burner Assembly													x	
11	5651-061	Gas Valve	x		x		x		x							
11	5651-032	Gas Valve									x			x		
11	5651-062	Gas Valve		x		x		x		x						
11	5651-023	Gas Valve										x			x	

Date: 12-01-89
Supersedes:

FUNCTIONAL COMPONENTS



Date: 2-19-90
Supersedes: 12-01-89

FUNCTIONAL COMPONENTS

Item No.	Part No.	Description	C 6 O D A	E C O D A	C 8 O D 3 6 A	E C O D 3 6 A	C 1 O D 4 2 A	E C 1 O D 4 2 A	C 1 O D 4 2 A	E C 1 O D 4 2 A	C 1 O D 4 8 A	E C 1 O D 4 8 A	C 1 O D 4 8 A	E C 1 O D 4 8 A
12	5818-019	Burner Manifold	X	X	X	X								
12	5818-020	Burner Manifold					X	X	X	X				
12	5818 21	Burner Manifold									X	X	X	X
13	112Y095	Left Manifold Bracket	X	X	X	X	X	X	X	X	X	X	X	X
14	9010-010	Burner Orifice	2	2										
14	9010-008	Burner Orifice			2	2			3	3			4	4
14	9010-009	Burner Orifice					3	3			4	4		
15	8554-003	Thermocouple 18"	X		X		X		X		X		X	
15	8600-009	Ignition Wire		X		X	X		X		X		X	X
16	112X095	Right Manifold Bracket	X	X	X	X	X	X	X	X	X	X	X	X
17	9010-036	Burner 2-cell	X	X	X	X								
17	9010-037	Burner 3-cell					X	X	X	X				
17	9010-038	Burner 4-cell									X	X	X	X
18	8554-002	Standing Pilot	X		X		X		X		X		X	
18	8554-009	Intermittent Pilot		X		X	X		X		X		X	X
19	8406-032	Spill Switch	X	X			X	X						
19	8406-036	Spill Switch			X	X								
19	8406-034	Spill Switch						X	X					
19	8406-033	Spill Switch								X	X			
19	8406-035	Spill Switch											X	X
20	5651-073	Ignition Module		X		X		X		X		X		X
21	8407-006	Transformer	X											
21	8407-025	Transformer		X										
21	8201-006	Fan Center			X	X	X	X	X	X	X	X	X	X
22	8614-001	Square Outlet Box	X	X	X	X	X	X	X	X	X	X	X	X
23	8406-013	Switch	X	X	X	X	X	X	X	X	X	X	X	X
24	1171-025	Plastic Door Pull	X	X	X	X	X	X	X	X	X	X	X	X
25	7003-003	Filter 15 x 20 x 1	X	X	X	X					X	X	X	X
25	7003-001	Filter 10 x 20 x 1					X	X	X	X				
26	7003-001	Filter 10 x 20 x 1					X	X	X	X				
27	8402-046	Fan and Limit Control	X	X	X	X	X	X	X	X				
27	8402-045	Fan and Limit Control									X	X	X	X
28	8406-038	Flame Rollout Switch	X	X	X	X	X	X	X	X				
28	8406-046	Flame Rollout Switch									X	X	X	X
	4046-111	Wiring Diagram	X											
	4046-113	Wiring Diagram			X		X		X		X		X	
	4046-115	Wiring Diagram		X										
	4046-117	Wiring Diagram			X		X		X		X		X	X
	8620-040	Pilot Gas Tube With Fittings	X	X	X	X	X	X	X	X	X	X	X	X

Date: 6-06-91
Supersedes: 2-01-90