

REPLACEMENT PARTS MANUAL

HIGH ECONOMY  
GAS FIRED FURNACES  
MODELS IH60D36B, IH85D48B, IH115D48B

Manual 2110-853

Revision B

Date S-04-90

Supersedes 2-19-90

\*\*\*\*\*  
\* GENERAL NOTES \*  
\*\*\*\*\*

\*Revised and/or additional pages may be issued from time to time.  
\*A complete and current manual consists of pages dated as shown in the following index.

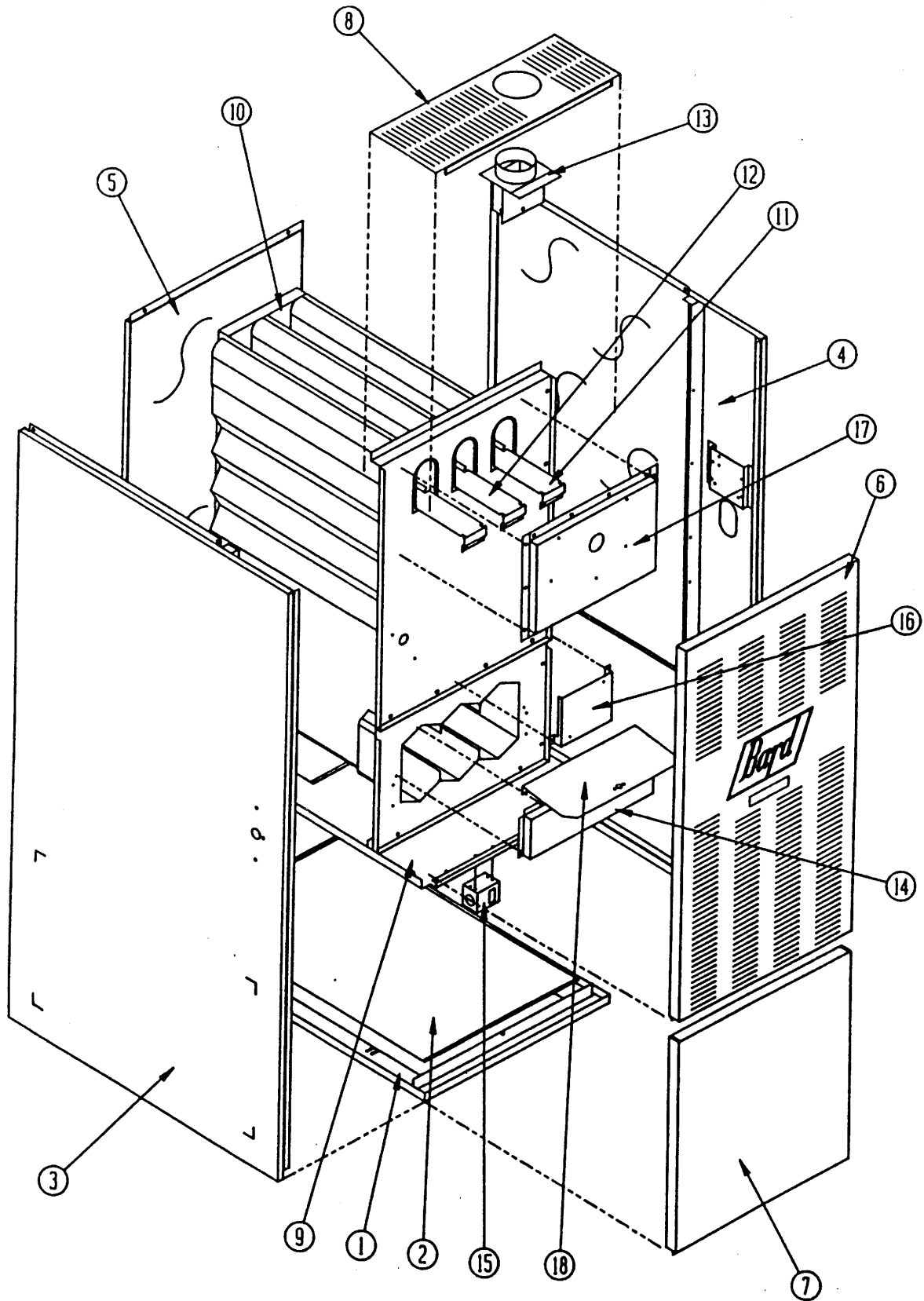
\*\*\*\*\*  
\*\* INDEX \*\*  
\*\*\*\*\*

<u>Page Description</u>	<u>Page</u>	<u>Date</u>	<u>Supersedes</u>
Cabinet Components--Exploded View	1	2-19-90	9-21-89
" " --Usage List	2	S-04-90	2-19-90
Functional Components--Exploded View	3	2-19-90	9-21-89
" " --Usage List	4	2-19-90	9-21-89

\*\*\*\*\*  
\*\*\*IMPORTANT\*\*\*  
\*\*\*\*\*

Contact the installing and/or local Bard distributor for all parts requirements. Make sure you have the complete model and serial number available from the unit rating plate.

CABINET COMPONENTS



1B85D48B model shown above

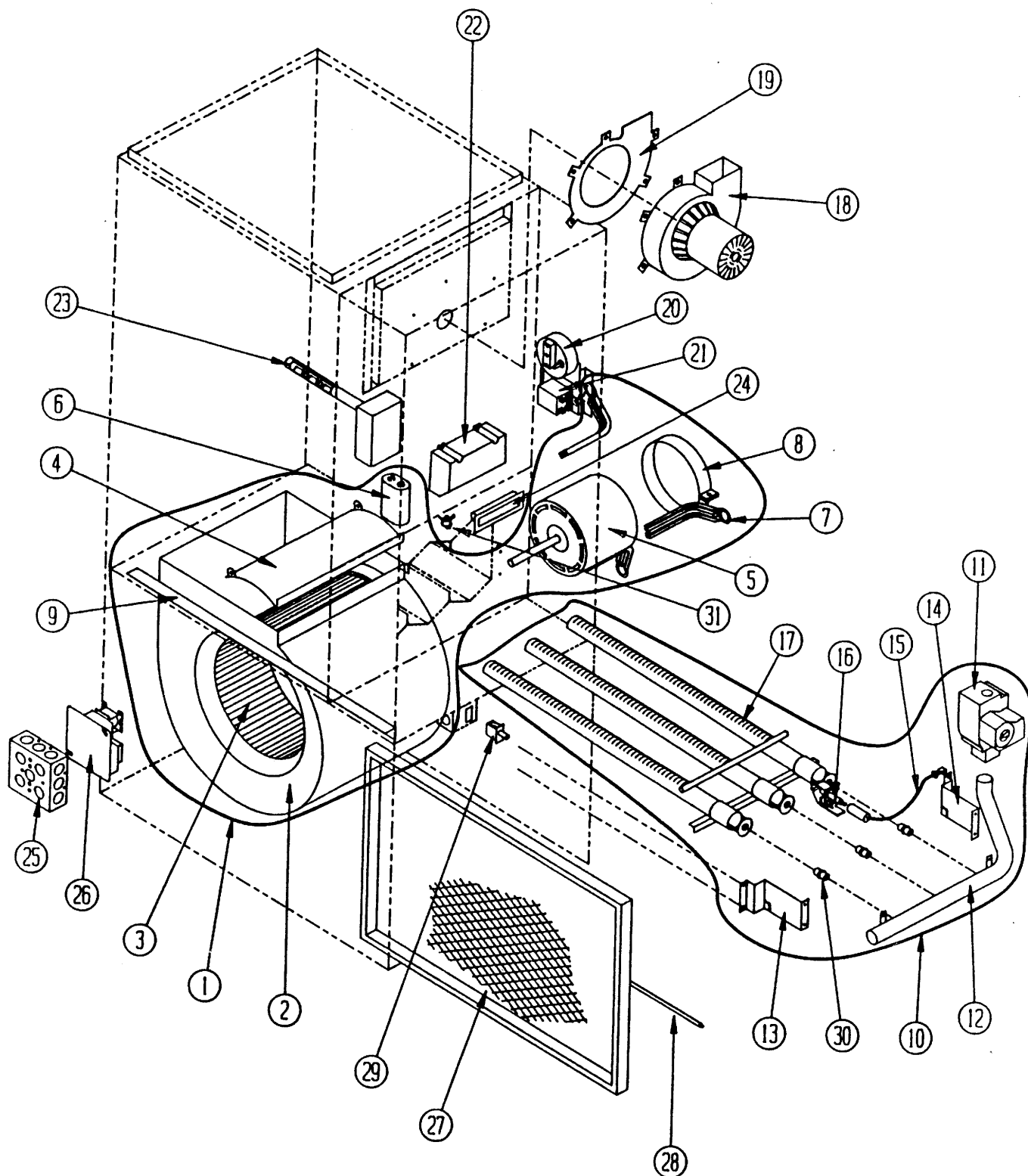
Date: 2-19-90  
Supersedes: 9-21-89

CABINET COMPONENTS

Dwg. No.	Part No.	Description	I H 6 0 D 3 6 B	I H 8 5 D 4 8 B	I H 1 1 5 D 4 8 B
1	127-123	Lower Base Assenbly	X		
1	127-125	Lower Base Assenbly		X	
1	127-127	Lower Base Assenbly			X
2	136-120	Fill Plate	X		
2	136-121	Fill Plate		X	X
3	501-057	Left Side Assembly	X	X	X
4	501-067	Right Side Assembly	X	X	X
5	508-017	Back Assembly	X		
5	508-018	Back Assembly		X	
5	508-019	Back Assembly			X
6	152-048	Burner Door	X		
6	152-050	Burner Door		X	
6	152-052	Burner Door			X
7	152-037	Blower Door	X		
7	152-039	Blower Door		X	
7	152-043	Blower Door			X
8	106-040	Top Fill	X		
8	106-041	Top Fill		X	
8	106-042	Top Fill			X
9	127-118	Blower Base	X		
9	127-119	Blower Base		X	
9	127-120	Blower Base			X
10	171-175	Heat Exchanger Assembly	X		
10	171-138	Heat Exchanger Assembly		X	
10	171-144	Heat Exchanger Assembly			X
11	168-002	Internal Flue Baffle Outside	2	3	2
12	168-013	Internal Flue Baffle Inside			2
13	913-0002	Flue Stack Assembly	X	X	
13	913-0004	Flue Stack Assembly			X
14	168-003	Secondary Air Baffle	X		
14	168-008	Secondary Air Baffle		X	
14	168-010	Secondary Air Baffle			X
15	112-031	Door Switch Bracket	X	X	X
16	112-099	Ignition Module Bracket	X	X	X
17	913-0005	Collector Box Assembly	X		
17	913-0006	Collector Box Assembly		X	
17	913-0007	Collector Box Assembly			X
18	140-159	Switch Support	X		
18	140-160	Switch Support		X	
18	140-161	Switch Support			X

Date: 5-04-90  
Supersedes: 2-19-90

FUNCTIONAL COMPONENTS



Date: 2-19-90  
Supersedes: 9-21-89

FUNCTIONAL COMPONENTS

Dwg. No.	Part No.	Description	I H 6 0 D 3 6 B	I H 8 5 D 4 8 B	I H 1 1 5 D 4 8 B
1	900-107	Blower Assembly	X		
1	900-108	Blower Assembly		X	
1	900-110	Blower Assembly			X
2	151-069	Blower Housing	X		
2	151-073	Blower Housing		X	
2	151-074	Blower Housing			X
3	5152-010	Blower Wheel	X		
3	5152-014	Blower Wheel		X	
3	5152-059	Blower Wheel			X
4	144-125	Diffuser	X		
4	144-128	Diffuser		X	
4	144-129	Diffuser			X
5	8105-008	Motor	X		
5	8105-009	Motor		X	
5	8106-018	Motor			X
6	8552-002	Capacitor	X	X	
6	8552-004	Capacitor			X
7	8200-036	Motor Mount Arm	3		
7	8200-034	Motor Mount Arm		3	3
8	8200-033	Motor Mount Band	X	X	X
9	104-793	Blower Angle	X	X	X
10	901-0074	Burner Assembly	X		
10	901-0050	Burner Assembly		X	
10	901-0061	Burner Assembly			X
11	5651-062	Gas Valve	X	X	X
12	5818-019	Manifold 2-Hole	X		
12	5818-020	Manifold 3-Hole		X	
12	5818-021	Manifold 4-Hole			X
13	112Y095	Left Manifold Bracket	X	X	X
14	112X095	Right Manifold Bracket	X	X	X
15	8600-009	Ignition Cable	X	X	X
16	8554-009	Pilot Assembly	X	X	X
17	9010-036	2 Section Burner	X		
17	9010-037	3 Section Burner		X	
17	9010-038	4 Section Burner			X

Dwg. No.	Part No.	Description	I H 6 0 D 3 6 B	I H 8 5 D 4 8 B	I H 1 1 5 D 4 8 B
18	8109-001	Induced Draft Blower	X	X	X
19	1921-019	IDB Gasket	X	X	X
20	8406-021	Pressure Switch	X	X	X
21	8201-048	DPST Relay 24V Coil	X	X	X
22	5651-073	Ignition Module	X	X	X
23	8402-042	Fan/Limit Control	X	X	X
24	1171-025	Door Pull	X	X	X
25	8614-001	Junction Box	X	X	X
26	8201-006	Fan Center	X	X	X
27	7003-004	16x25x1 Permanent Filter	X	X	X
28	5401-002	Filter Spring	X	X	X
29	8406-013	Door Switch	X	X	X
30	9010-010	Gas Orifice #38	2	3	4
31	8406-046	Flame Rollout Switch	X	X	X
	4046-118	Wiring Diagram	X	X	X

Date: 2-19-90  
Supersedes: 9-21-89