

REPLACEMENT PARTS MANUAL

HIGH ECONOMY GAS FIRED FURNACES MODELS IH60D36B, IH85D48B, IH115D48B

Manual 2110-853

Revision C

Date 3-22-91

Supersedes 5-04-90

* GENERAL NOTES *

*Revised and/or additional pages may be issued from time to time.
*A complete and current manual consists of pages dated as shown in the following index.

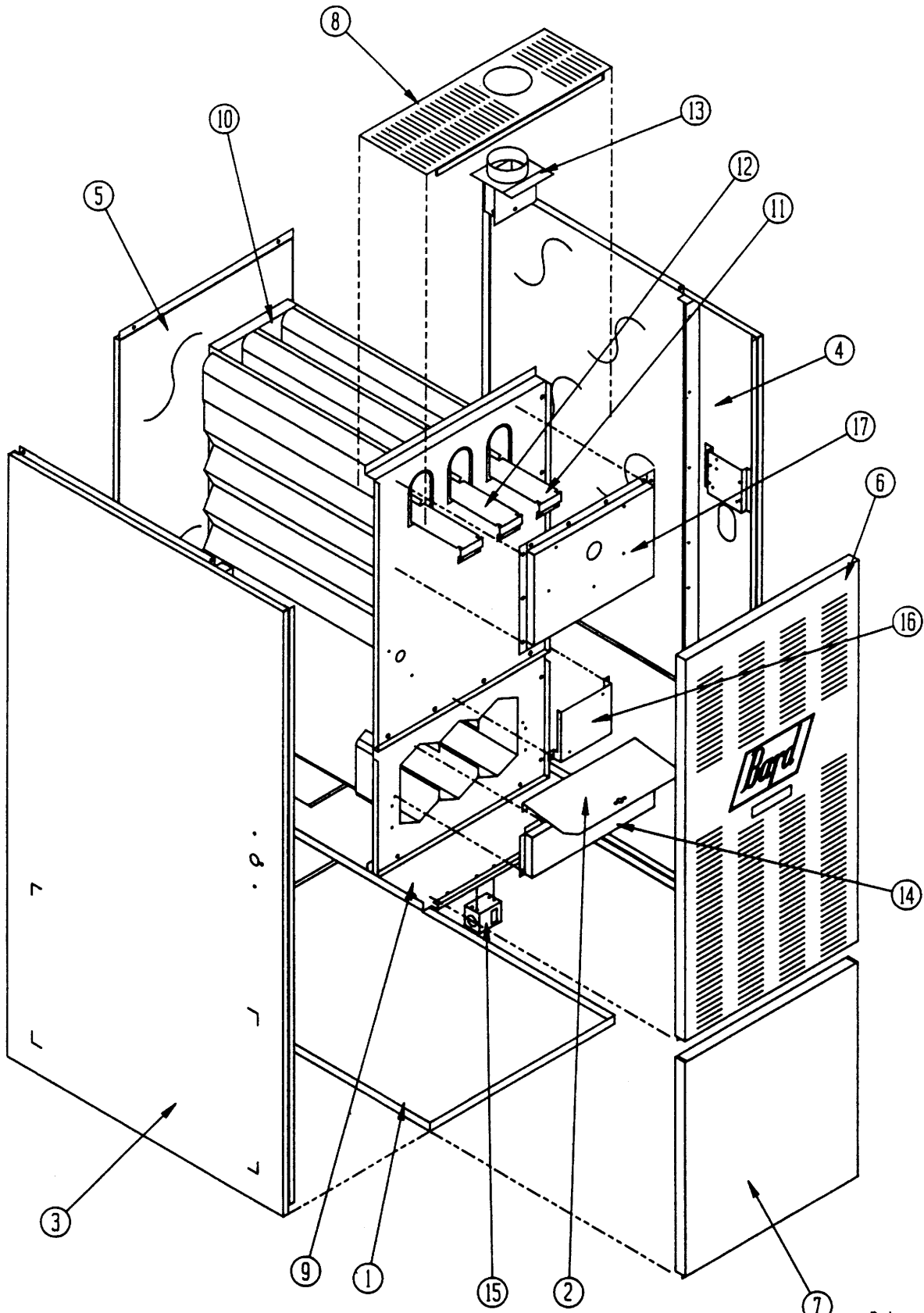
** INDEX **

<u>Page</u>	<u>Description</u>	<u>Page</u>	<u>Date</u>	<u>Supersedes</u>
	Cabinet Components--Exploded View	1	3-22-91	Z-19-90
	" II --Usage List	2	3-22-91	5-04-90
	Functional Components--Exploded View	3	Z-19-90	9-21-89
	A II --Usage List	4	Z-19-90	9-21-89

*** IMPORTANT ***

Contact the Installing and/or local Bard distributor for all parts requirements. Make sure you have the complete model and serial number available from the unit rating plate.

CABINET COMPONENTS



1H85D48B model shown above

Date: 3-22-91
Supersedes: 2-19-90

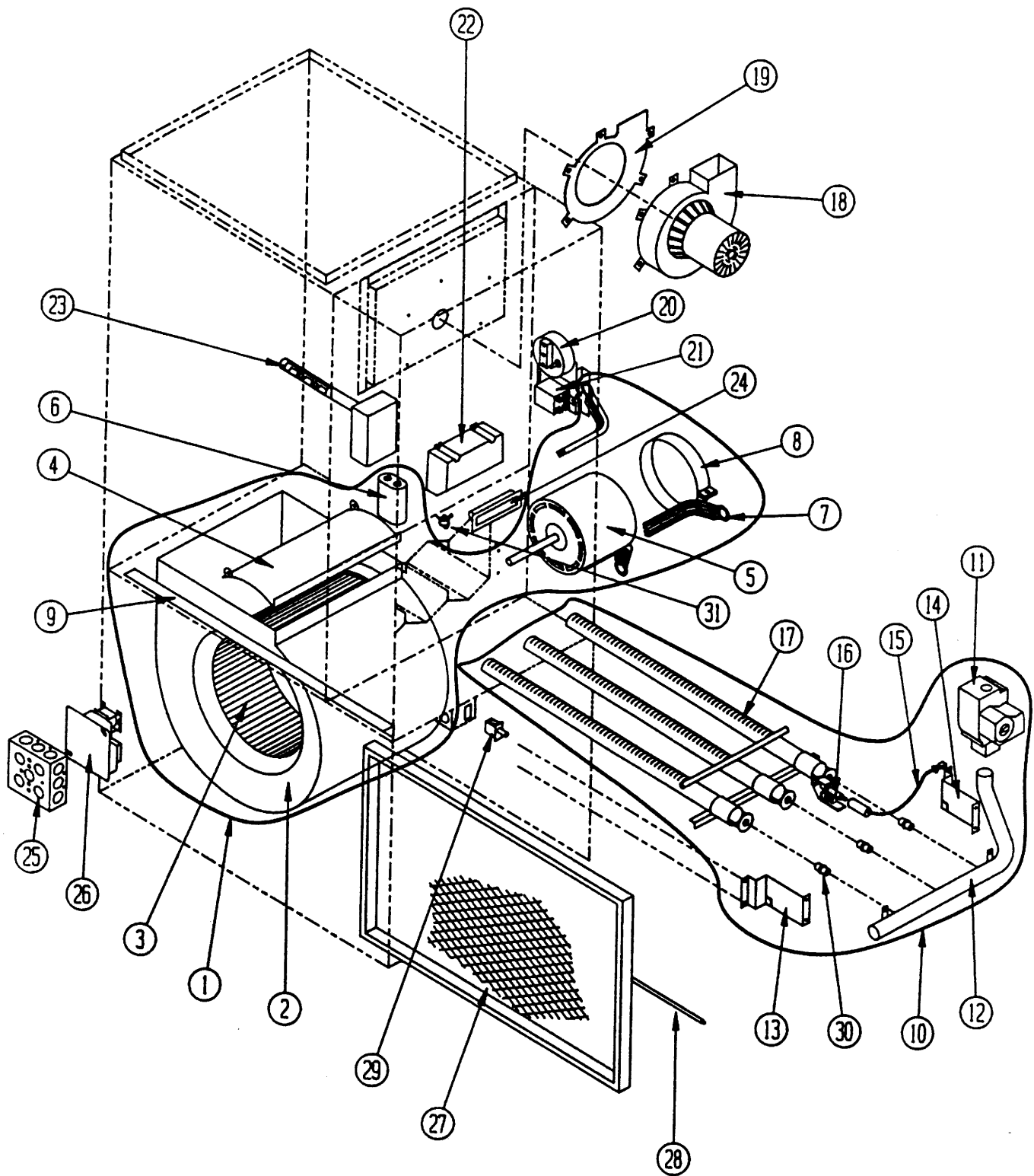
2110-853
Page: 1

CABINET COMPONENTS

Dwg. No.	Part No.	Description	I H 6 0 D 3 6 B	I H 8 5 D 4 8 B	I H 1 1 5 D 4 8 B
1	127-188	Lower Base Assembly	X		
1	127-189	Lower Base Assembly		X	
1	127-190	Lower Base Assembly			X
2	140-159	Switch Support	X		
2	140-160	Switch Support		X	
2	140-161	Switch Support			X
3	501-057	Left Side Assembly	X	X	X
4	501-067	Right Side Assembly	X	X	X
5	508-017	Back Assembly	X		
5	508-018	Back Assembly		X	
5	508-019	Back Assembly			X
6	152-048	Burner Door	X		
6	152-050	Burner Door		X	
6	152-052	Burner Door			X
7	152-037	Blower Door	X		
7	152-039	Blower Door		X	
7	152-043	Blower Door			X
8	106-040	Top Fill	X		
8	106-041	Top Fill		X	
8	106-042	Top Fill			X
9	127-118	Blower Base	X		
9	127-119	Blower Base		X	
9	127-120	Blower Base			X
10	171-175	Heat Exchanger Assembly	X		
10	171-138	Heat Exchanger Assembly		X	
10	171-144	Heat Exchanger Assembly			X
11	168-002	Internal Flue Baffle Outside	2	3	2
12	168-013	Internal Flue Baffle Inside			2
13	913-0002	Flue Stack Assembly	X	X	
13	913-0004	Flue Stack Assembly			X
14	168-003	Secondary Air Baffle	X		
14	168-008	Secondary Air Baffle		X	
14	168-010	Secondary Air Baffle			X
15	112-031	Door Switch Bracket	X	X	X
16	112-099	Ignition Module Bracket	X	X	X
17	913-0005	Collector Box Assembly	X		
17	913-0006	Collector Box Assembly		X	
17	913-0007	Collector Box Assembly			X

Date: 3-22-91
Supersedes: 5-04-90

FUNCTIONAL COMPONENTS



Date: 2-19-90
Supersedes: 9-21-89

FUNCTIONAL COMPONENTS

Dwg. No.	Part No.	Description	I H 6 0 D 3 6 B	I H 8 5 D 4 8 B	I H 1 1 5 D 4 8 B
1	900-107	Blower Assembly	x		
1	900-108	Blower Assembly		x	
1	900-110	Blower Assembly			x
2	151-069	Blower Housing	x		
2	151-073	Blower Housing		x	
2	151-074	Blower Housing			x
3	5152-010	Blower Wheel	x		
3	5152-014	Blower Wheel		x	
3	5152-059	Blower Wheel			x
4	144-125	Diffuser	x		
4	144-128	Diffuser		x	
4	144-129	Diffuser			x
5	8105-008	Motor	x		
5	8105-009	Motor		x	
5	8106-018	Motor			x
6	8552-002	Capacitor	x	x	
6	8552-004	Capacitor			x
7	8200-036	Motor Mount Arm	3		
7	8200-034	Motor Mount Arm		3	3
8	8200-033	Motor Mount Band	x	x	x
9	104-793	Blower Angle	x	x	x
10	901-0074	Burner Assembly	x		
10	901-0050	Burner Assembly		x	
10	901-0061	Burner Assembly			x
11	5651-062	Gas Valve	x	x	x
12	5818-019	Manifold 2-Hole	x		
12	5818-020	Manifold 3-Hole		x	
12	5818-021	Manifold 4-Hole			x
13	1127095	Left Manifold Bracket	x	x	x
14	1127095	Right Manifold Bracket	x	x	x
15	8600-009	Ignition Cable	x	x	x
16	8554-009	Pilot Assembly	x	x	x
17	9010-036	2 Section Burner	x		
17	9010-037	3 Section Burner		x	
17	9010-038	4 Section Burner			x

Dwg. No.	Part No.	Description	I H 6 0 D 3 6 B	I H 8 5 D 4 8 B	I H 1 1 5 D 4 8 B
18	8109-001	Induced Draft Blower	x	x	x
19	1921-019	IDB Gasket	x	x	x
20	8406-021	Pressure Switch	x	x	x
21	8201-048	DPST Relay 24V Coil	x	x	x
22	5651-073	Ignition Module	x	x	x
23	8402-042	Fan/Limit Control	x	x	x
24	1171-025	Door Pull	x	x	x
25	8614-001	Junction Box	x	x	x
26	8201-006	Fan Center	x	x	x
27	7003-004	16x25x1 Permanent Filter	x	x	x
28	5401-002	Filter Spring	x	x	x
29	8406-013	Door Switch	x	x	x
30	9010-010	Gas Orifice #38	2	3	4
31	8406-046	Flame Rollout Switch	x	x	x
	4046-118	Wiring Diagram	x	x	x

Date: 2-19-90
Supersedes: 9-21-89

2110-853