

REPLACEMENT PARTS MANUAL

HIGH ECONOMY
GAS FIRED FURNACES
MODELS: IH60D36B, IH85D48D, IH115D48B,
IH115D60A, IH145D60A

Manual 2110-853

Revision G

Date 3-26-92

Supersedes 9-23-91

* GENERAL NOTES *

*Revised and/or additional pages may be issued from time to time.
*A complete and current manual consists of pages dated as shown in the following index.

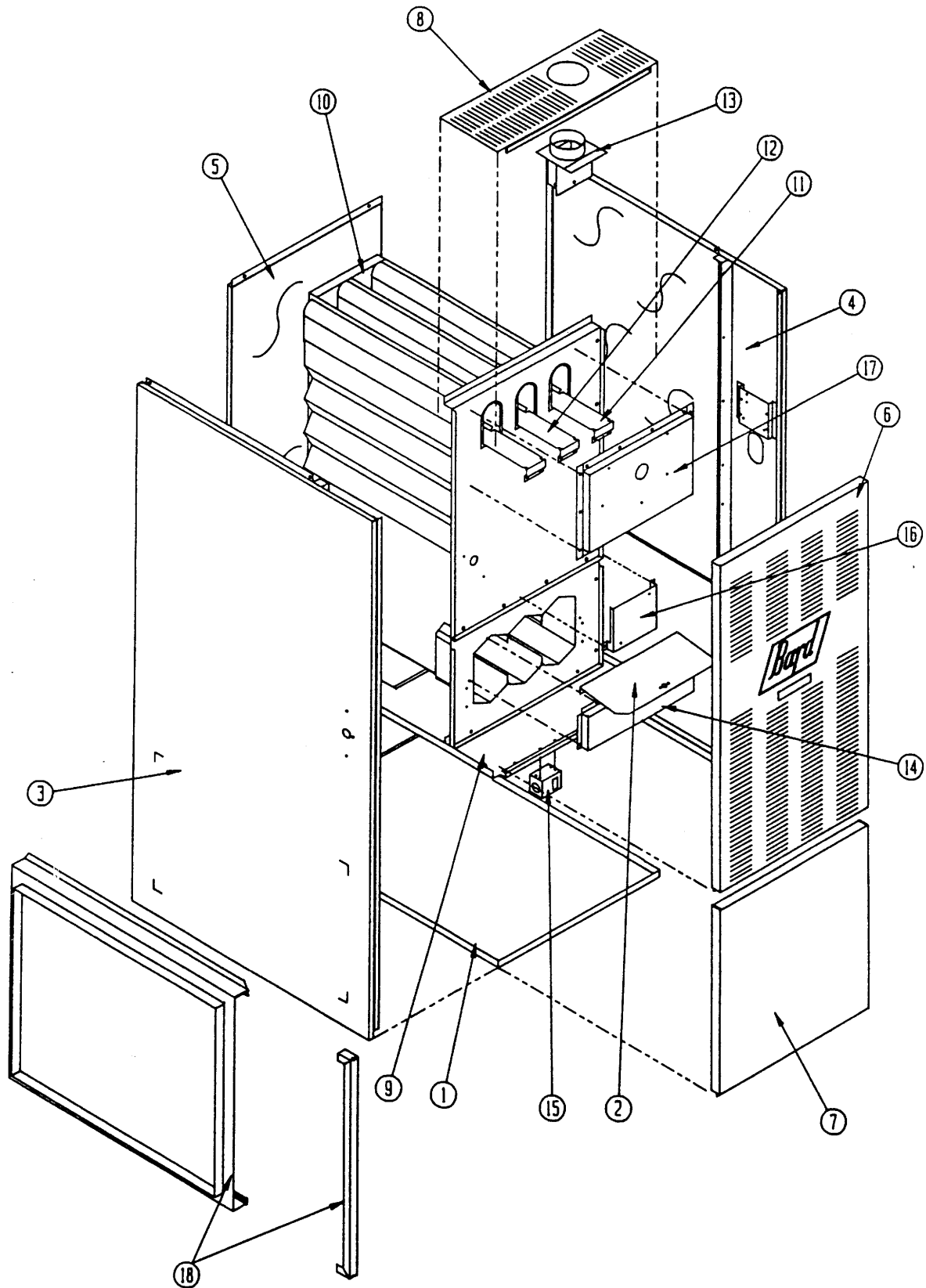
** INDEX **

<u>Page Description</u>	<u>Page</u>	<u>Date</u>	<u>Supersedes</u>
Cabinet Components--Exploded View	1	9-23-91	3-22-91
" " --Usage List	2	3-26-92	9-23-91
Functional Components--Exploded View	3	9-23-91	Z-19-90
" " --Usage List	4	3-26-92	9-23-91

*** IMPORTANT ***

Contact the installing and/or local Bard distributor for all parts requirements. Make sure you have the complete model and serial number available from the unit rating plate.

CABINET COMPONENTS



IB85D48D model shown above

Date: 9-23-91
Supersedes: 3-22-91

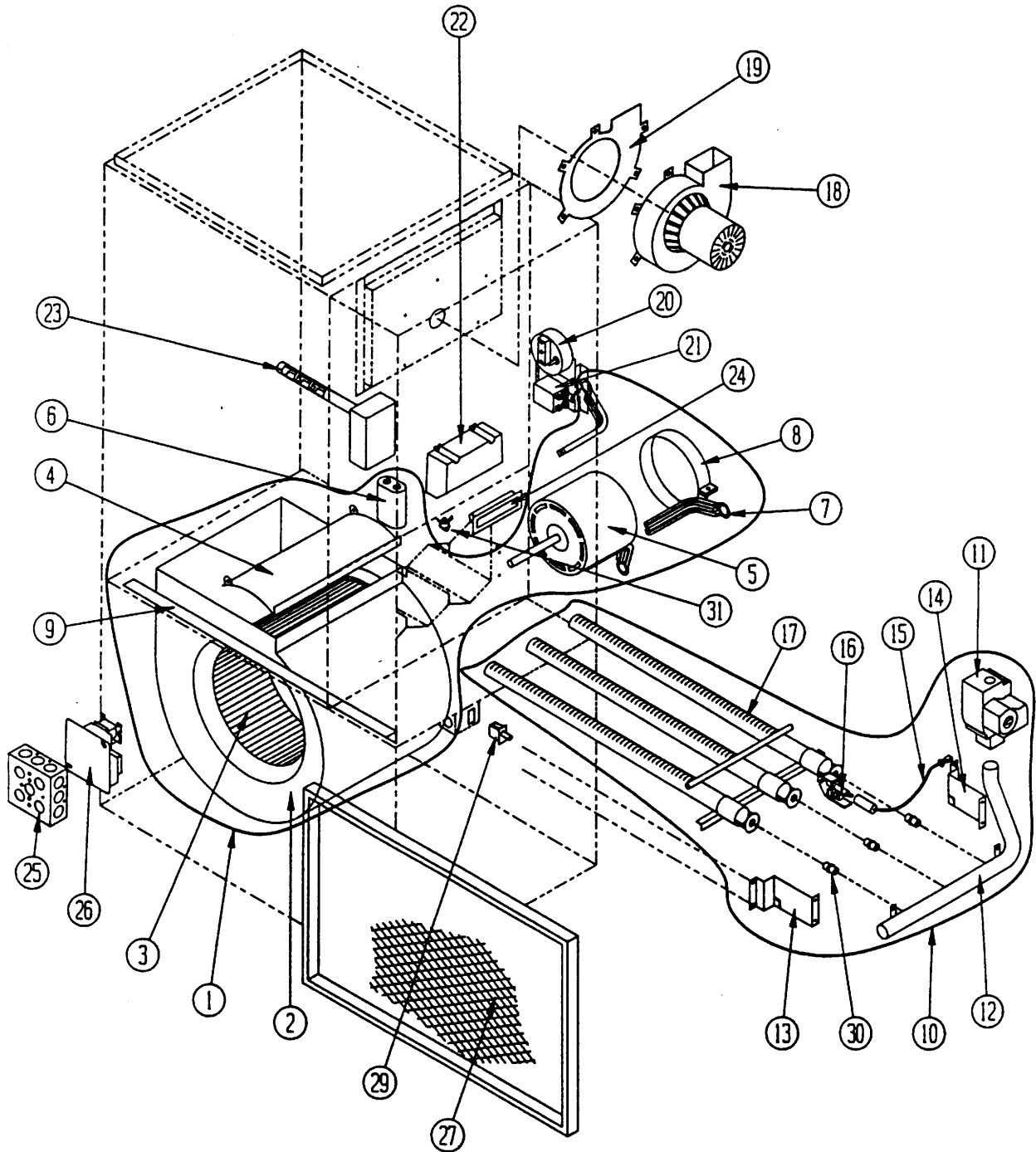
2110-853
Page: 1

CABINET COMPONENTS

Dwg. No.	Part No.	Description	I H 6 0 D 3 6 B	I H 8 5 D 4 8 D	I H 1 1 5 D 4 8 B	I H 1 1 5 D 6 0 A	I H 1 4 5 D 6 0 A
1	127-188	Lower Base Assembly	X				
1	127-189	Lower Base Assembly		X			
1	127-190	Lower Base Assembly			X	X	
1	127-191	Lower Base Assembly					X
2	140-159	Switch Support	X				
2	140-160	Switch Support		X			
2	140-161	Switch Support			X	X	
2	140-162	Switch Support					X
3	501-235	Left Side Assembly	X	X	X	X	X
4	501-234	Right Side Assembly	X	X	X	X	X
5	508-017	Back Assembly	X				
5	508-018	Back Assembly		X			
5	508-019	Back Assembly			X	X	
5	508-073	Back Assembly					X
6	152-048	Burner Door	X				
6	152-050	Burner Door		X			
6	152-052	Burner Door			X	X	
6	152-200	Burner Door					X
7	152-037	Blower Door	X				
7	152-039	Blower Door		X			
7	152-043	Blower Door			X	X	
7	152-153	Blower Door					X
8	106-040	Top Fill	X				
8	106-041	Top Fill		X			
8	106-042	Top Fill			X	X	
8	106-079	Top Fill					X
9	127-118	Blower Base	X				
9	127-119	Blower Base		X			
9	127-187	Blower Base					X
9	127-203	Blower Base				X	
10	171-175	Heat Exchanger Assembly	X				
10	171-138	Heat Exchanger Assembly		X			
10	171-144	Heat Exchanger Assembly			X	X	
10	171-155	Heat Exchanger Assembly					X
11	168-002	Internal Flue Baffle Outside	2	3	2	2	4
12	168-013	Internal Flue Baffle Inside			2	2	1
13	913-0002	Flue Stack Assembly	X				
13	913-0004	Flue Stack Assembly		X	X	X	
14	168-003	Secondary Air Baffle	X				
14	168-008	Secondary Air Baffle		X			
14	168-018	Secondary Air Baffle			X	X	
14	168-010	Secondary Air Baffle					X
15	112-031	Door Switch Bracket	X	X	X	X	X
16	112-099	Ignition Module Bracket	X	X	X	X	X
17	913-0005	Collector Box Assembly	X				
17	913-0006	Collector Box Assembly		X			
17	913-0007	Collector Box Assembly			X	X	
17	913-0008	Collector Box Assembly					X
18	919-0002	Filter Rack W/Door	X	X	X		
18	919-0003	Filter Rack W/Door				X	X

Date: 3-26-91
 Supersedes: 9-23-91
 2110-853
 Page: 2

FUNCTIONAL COMPONENTS



Date: 9-23-91
Supersedes: 2-19-90

FUNCTIONAL COMPONENTS

Dwg. No.	Part No.	Description	I H 6 0 D 3 6 B	I H 8 5 D 4 D	I H 1 1 5 D 4 8 B	I H 1 1 5 D 6 0 A	I H 1 1 5 D 6 0 A
1	900-107	Blower Assembly	x				
1	900-108	Blower Assembly		x			
1	900-110	Blower Assembly			x		
1	900-171	Blower Assembly				x	x
2	151-069	Blower Housing	x				
2	151-073	Blower Housing		x			
2	151-074	Blower Housing			x		
2	151-084	Blower Housing				x	x
3	5152-010	Blower Wheel	x				
3	5152-014	Blower Wheel		x			
3	5152-059	Blower Wheel			x		
3	5152-061	Blower Wheel				x	x
4	144-125	Diffuser	x				
4	144-128	Diffuser		x			
4	144-129	Diffuser			x		
4	144-131	Diffuser				x	x
5	8105-008	Motor	x				
5	8105-009	Motor		x			
5	8106-018	Motor			x		
5	8107-004	Motor				x	x
6	8552-002	Capacitor	x	x			
6	8552-004	Capacitor			x		
6	8552-026	Capacitor				x	x
7	8200-036	Motor Mount Arm	3				
7	8200-034	Motor Mount Arm		3	3	3	3
8	8200-033	Motor Mount Band	x	x	x	x	x
9	104-793	Blower Angle	x	x	x		
9	104-792	Blower Angle				x	x
10	901-0074	Burner Assembly	x				
10	901-0050	Burner Assembly		x			
10	901-0061	Burner Assembly			x	x	
10	901-0076	Burner Assembly					x
11	5651-062	Gas Valve	x	x	x	x	x
12	5818-019	Manifold 2-Hole	x				
12	5818-020	Manifold 3-Hole		x			
12	5818-021	Manifold 4-Hole			x	x	
12	5818-022	Manifold 5-Hole					x
13	112Y095	Left Manifold Bracket	x	x	x	x	x
14	112X095	Right Manifold Bracket	x	x	x	x	x
15	8600-009	Ignition Cable	x	x	x	x	x
16	8620-038	Pilot Assembly	x	x	x	x	x
17	9010-036	2 Section Burner	x				
17	9010-037	3 Section Burner		x			
17	9010-038	4 Section Burner			x	x	
17	9010-039	5 Section Burner					x

Dwg. No.	Part No.	Description	I H 6 0 D 3 6 B	I H 8 5 D 4 D 8 B	I H 1 1 5 D 4 8 B	I H 1 1 5 D 6 0 A	I H 1 1 5 D 6 0 A
18	8109-001	Induced Draft Blower	x	x	x	x	x
19	1921-019	IDB Gasket	x	x	x	x	x
20	8406-051	Pressure Switch	x	x	x	x	x
21	8201-048	DPST Relay 24V Coil	x	x	x	x	x
22	5651-093	Ignition Module	x	x	x	x	x
23	8402-042	Fan/Limit Control	x	x	x	x	x
24	1171-025	Door Pull	x	x	x	x	x
25	8614-001	Junction Box	x	x	x	x	x
26	8201-006	Fan Center	x	x	x	x	x
27	7003-004	16x25x1 Permanent Filter	x	x	x		
27	7003-028	20x25x1.25 Perm. Filter				x	x
29	8406-013	Door Switch	x	x	x		
29	8406-047	Door Switch				x	x
30	9010-010	Gas Orifice #38	2	3	4	4	5
31	8406-038	Flame Rollout Switch					x
31	8406-046	Flame Rollout Switch	x	x	x	x	
	4046-118	Wiring Diagram	x	x	x	x	x
	8620-040	Pilot Gas Tube W/Fittings	x	x	x	x	x