

REPLACEMENT PARTS MANUAL

HIGH ECONOMY
GAS FIRED FURNACES
MODELS IC60D36A, IC85D42A, IC115D48A

Manual 2110-854

Revision B

Date Z-19-90

Supersedes 1-10-90

* GENERAL NOTES *

*Revised and/or additional pages may be issued from time to time.

*A complete and current manual consists of pages dated as shown in the following index.

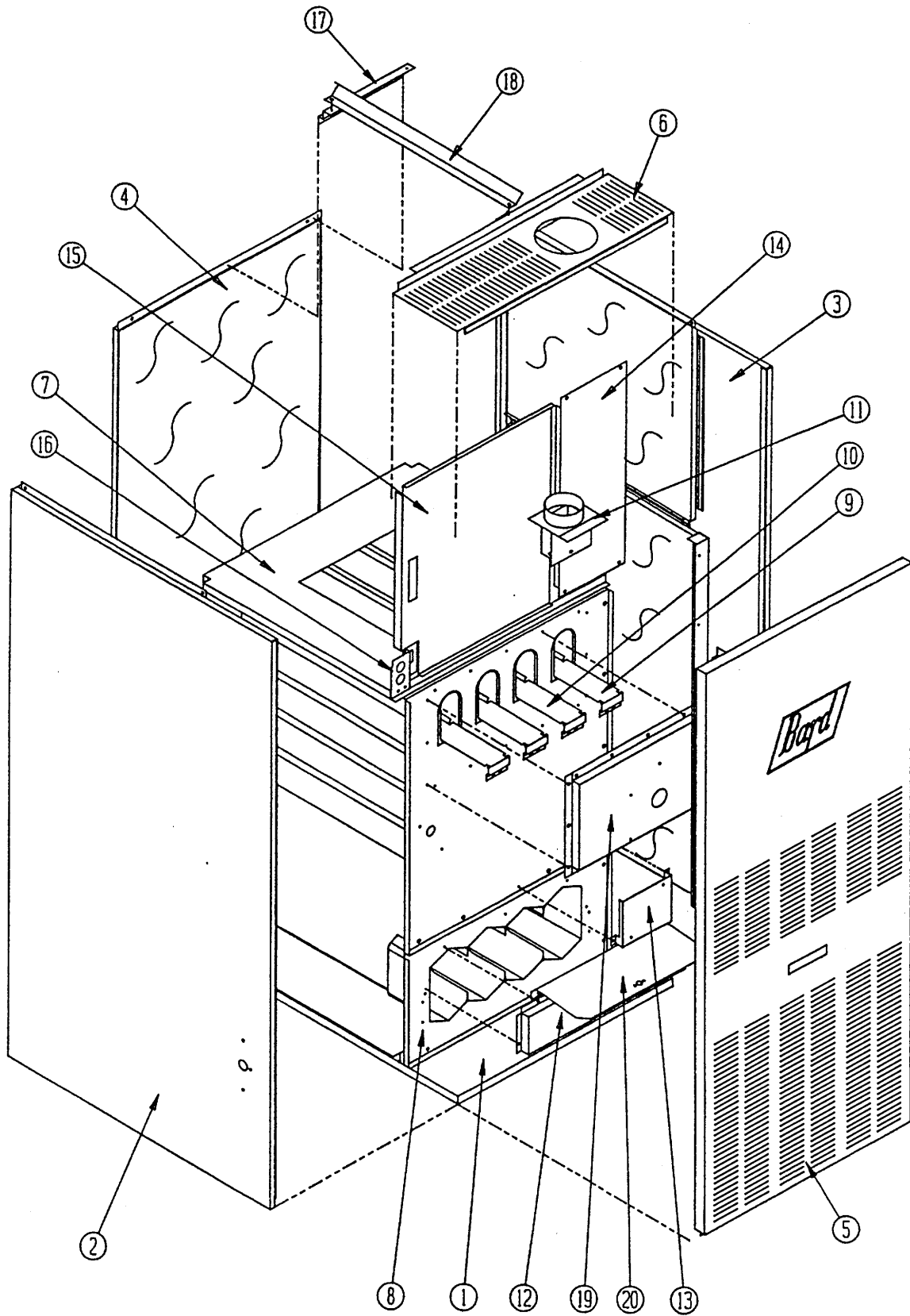
** INDEX **

<u>Page Description</u>	<u>Page</u>	<u>Date</u>	<u>Supersedes</u>
Cabinet Components--Exploded View	1	Z-19-90	9-21-89
" " --Usage List	2	2-19-90	1-10-90
Functional Components--Exploded View	3	Z-19-90	9-21-89
" " --Usage List	4	2-19-90	1-10-90

*** IMPORTANT ***

Contact the installing and/or local Bard distributor for all parts requirements. Make sure you have the complete model and serial number available from the unit rating plate.

CABINET COMPONENTS



IC115D48A model shown above

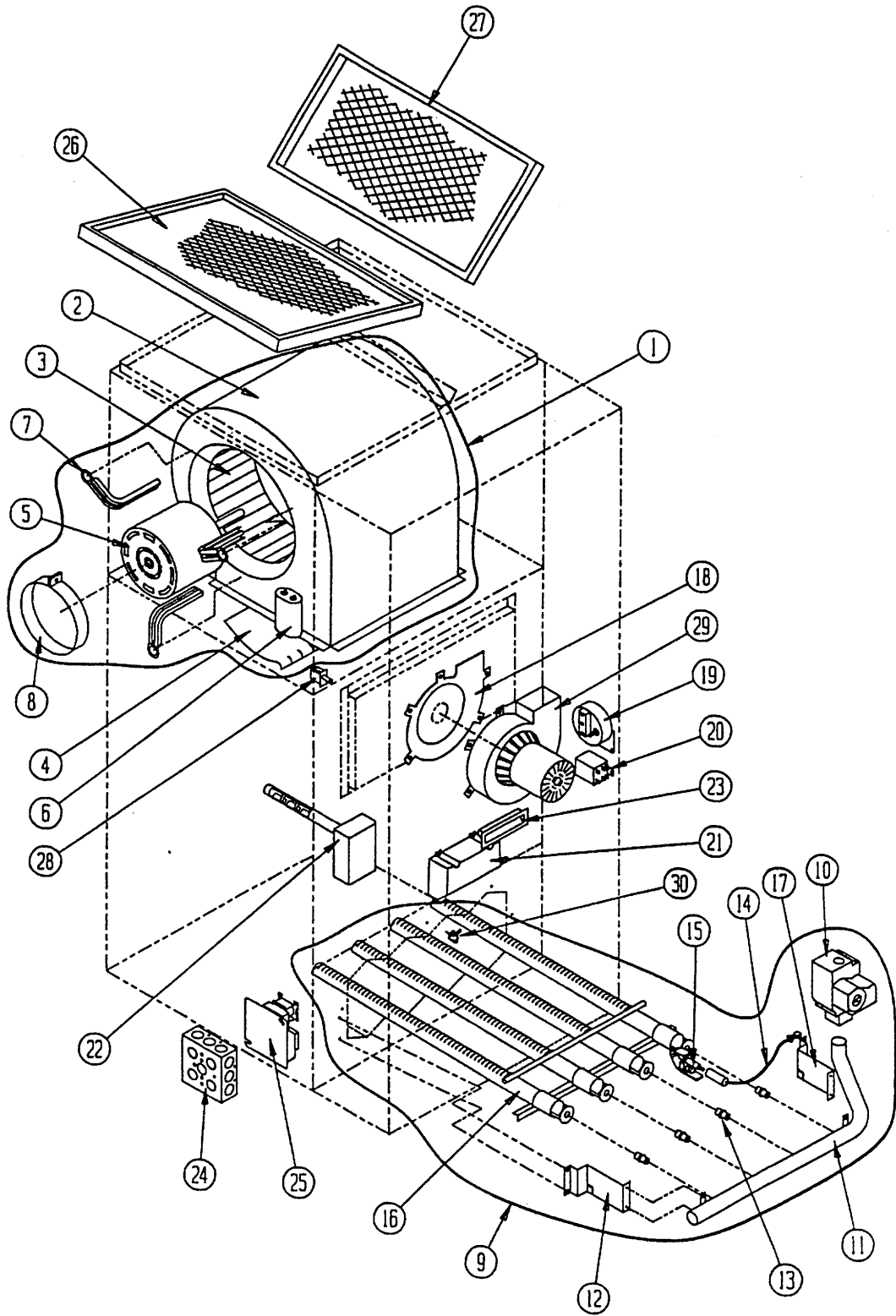
Date: 2-19-90
Supersedes: 9-21-89

CABINET COMPONENTS

Dwg. No.	Part No.	Description	I C 6 0 D 3 6 A	I C 8 5 D 4 2 A	I C 1 1 5 D 4 8 A
1	127-039	Lower Base Assembly	x		
1	127-041	Lower Base Assembly		x	
1	127-043	Lower Base Assembly			x
2	501-126	Left Side Assembly	x	x	x
3	501-125	Right Side Assembly	x	x	x
4	508-017	Back Assembly	x		
4	508-018	Back Assembly		x	
4	508-019	Back Assembly			x
5	152-083	Burner Door	x		
5	152-086	Burner Door		x	
5	152-088	Burner Door			x
6	107-074	Top Fill Assembly	x		
6	107-075	Top Fill Assembly		x	
6	107-076	Top Fill Assembly			x
7	126-038	Blower Base	x		
7	126-040	Blower Base		x	
7	126-044	Blower Base			x
8	171-137	Heat Exchanger Assembly	x		
8	171-141	Heat Exchanger Assembly		x	
8	171-146	Heat Exchanger Assembly			x
9	168-002	Internal Flue Baffle Outside	2	3	2
10	168-013	Internal Flue Baffle Inside			2
11	913-0002	Flue Stack Assembly	x	x	
11	913-0004	Flue Stack Assembly			x
12	168-003	Secondary Air Baffle	x		
12	168-008	Secondary Air Baffle		x	
12	168-010	Secondary Air Baffle			x
13	112-099	Ignition Module Bracket	x	x	x
14	152-118	Right Filter Door	x	x	x
15	152-115	Left Filter Door	x		
15	152-116	Left Filter Door		x	
15	152-117	Left Filter Door			x
16	112-028	Door Switch Bracket	x	x	x
17	130-062	Rear Filter Support	x	x	x
18	130-023	Filter Support	x	x	x
19	913-0005	Collector Box Assembly	x		
19	913-0006	Collector Box Assembly		x	
19	913-0007	Collector Box Assembly			x
20	140-159	Switch Support	x		
20	140-163	Switch Support		x	
20	140-161	Switch Support			x

Date: 2-19-90
Supersedes: 1-10-90

FUNCTIONAL COMPONENTS



Date: 2-19-90
Supersedes: 9-21-89

FUNCTIONAL COMPONENTS

Dwg. No.	Part No.	Description	I C 6 0 D 3 6 A	I C 8 5 D 4 2 A	I C 1 1 5 D 4 8 A
1	900-114	Blower Assembly	X		
1	900-116	Blower Assembly		X	
1	900-118	Blower Assembly			X
2	151-075	Blower Housing	X		
2	151-076	Blower Housing		X	
2	151-077	Blower Housing			X
3	5152-010	Blower Wheel	X		
3	5152-014	Blower Wheel		X	
3	5152-059	Blower Wheel			X
4	144-125	Diffuser	X		
4	144-128	Diffuser		X	
4	144-129	Diffuser			X
5	8105-008	Motor	X		
5	8105-009	Motor		X	
5	8106-018	Motor			X
6	8552-002	Capacitor	X	X	
6	8552-004	Capacitor			X
7	8200-036	Motor Mount Arm	3		
7	8200-034	Motor Mount Arm		3	3
8	8200-033	Motor Mount Band	X	X	X
9	901-0074	Burner Assembly	X		
9	901-0050	Burner Assembly		X	
9	901-0061	Burner Assembly			X
10	5651-062	Gas Valve	X	X	X
11	5818-019	Burner Manifold	X		
11	5818-020	Burner Manifold		X	
11	5818-021	Burner Manifold			X
12	112Y095	Left Manifold Bracket	X	X	X
13	9010-010	Gas Orifice #38	2	3	4
14	8600-009	Ignition Cable	X	X	X
15	8554-009	Pilot Burner Assembly	X	X	X
16	9010-036	Burner Venturi 2 Section	X		
16	9010-037	Burner Venturi 3 Section		X	
16	9010-038	Burner Venturi 4 Section			X
17	112X095	Right Manifold Bracket	X	X	X

Dwg. No.	Part No.	Description	I C 6 0 D 3 6 A	I C 8 5 D 4 2 A	I C 1 1 5 D 4 8 A
18	1921-019	IDB Gasket	X	X	X
19	8406-021	Pressure Switch	X	X	X
20	8201-048	DPST Relay--24V	X	X	X
21	5651-073	Ignition Module	X	X	X
22	8402-046	Fan/Limit Control	X		
22	8402-045	Fan/Limit Control		X	X
23	1171-025	Door Pull	X	X	X
24	8614-001	Junction Box	X	X	X
25	8201-006	2 Speed Fan Center	X	X	X
26	7003-001	Permanent Filter 10x20x1		2	1
27	7003-003	Permanent Filter 15x20x1	1		1
28	8406-013	Door Switch	X	X	X
29	8109-001	Induced Draft Blower	X	X	X
30	8406-038	Flame Rollout Switch	X	X	X
	4046-119	Wiring Diagram	X	X	X

Date: 2-19-90
Supersedes: 1-10-90