

REPLACEMENT PARTS MANUAL

HIGH ECONOMY GAS FIRED FURNACES

MODELS : IC60D36E, IC85D42E, IC115D48E

Manual 2110-854

Revision G

Date 11-20-95

Supersedes 12-15-93

* GENERAL NOTES *

*Revised and/or additional pages may be issued from time to time.

*A complete and current manual consists of pages dated as shown in the following index.

** INDEX **

<u>Page</u>	<u>Description</u>	<u>Page</u>	<u>Date</u>	<u>Supersedes</u>
	Cabinet Components--Exploded View	1	2-19-90	9-21-89
II	II -- Usage List	2	11-20-95	3-26-92
	Functional Components--Exploded View	3	3-26-92	2-19-90
II	II -- Usage List	4	11-20-95	12-15-93

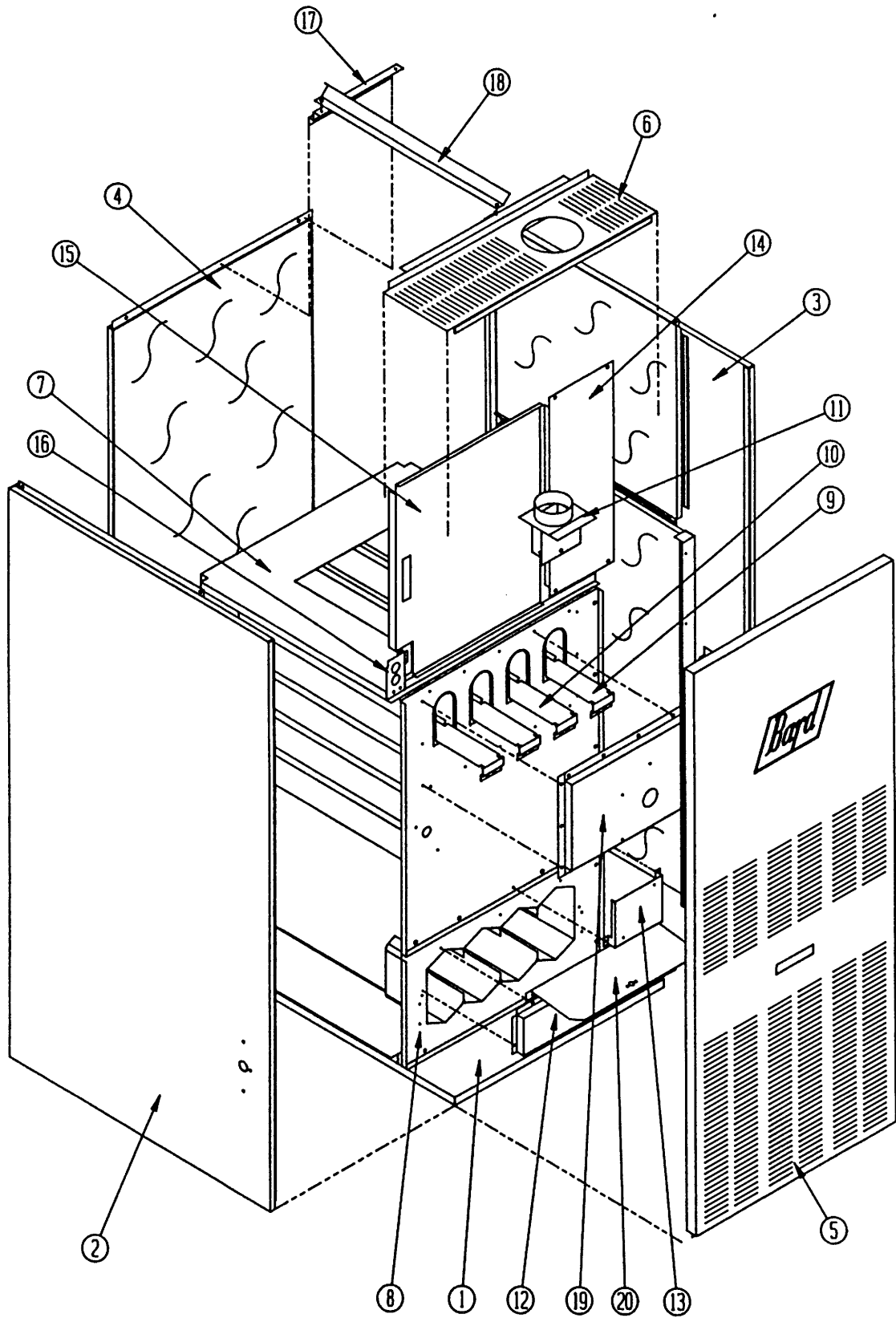
*** IMPORTANT ***

Contact the installing and/or local Bard distributor for all parts requirements. Make sure you have the complete model and serial number available from the unit rating plate.

BARD MANUFACTURING COMPANY

BRYAN, OHIO 43506

CABINET COMPONENTS



IC115D48A model shown above

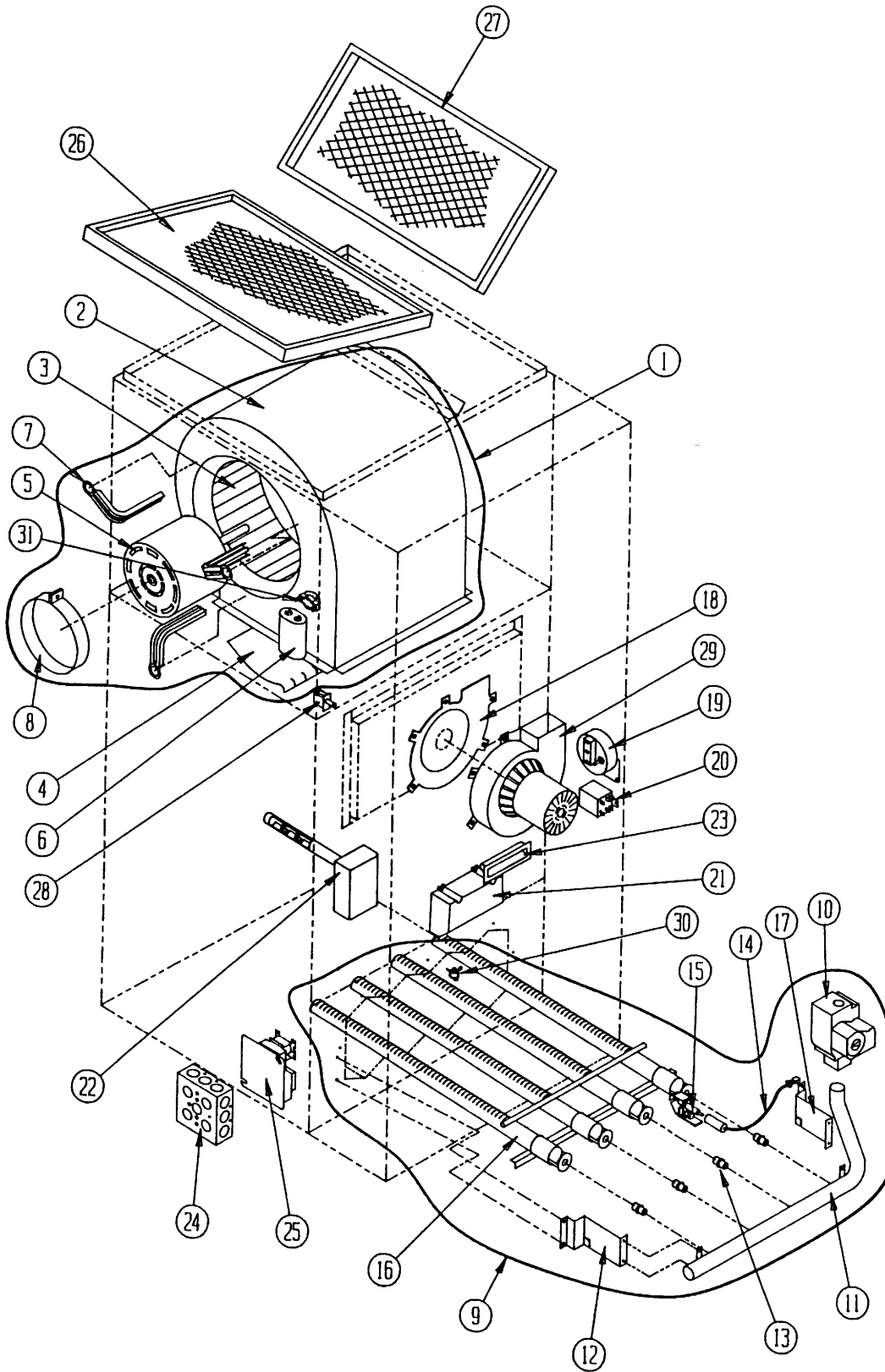
Date: 2-19-90
Supersedes: 9-21-89

CABINET COMPONENTS

Dwg. No.	Part No.	Description	I C 6 0 D 3 6 E	I C 8 5 D 4 2 E	I C 1 1 5 D 4 8 E
1	127-039	Lower Base Assembly	X		
1	127-041	Lower Base Assembly		X	
1	127-043	Lower Base Assembly			X
2	501-126	Left Side Assembly	X	X	X
3	501-125	Right Side Assembly	X	X	X
4	508-017	Back Assembly	X		
4	508-018	Back Assembly		X	
4	508-019	Back Assembly			X
5	152-083	Burner Door	X		
5	152-086	Burner Door		X	
5	152-088	Burner Door			X
6	107-074	Top Fill Assembly	X		
6	107-075	Top Fill Assembly		X	
6	107-076	Top Fill Assembly			X
7	126-038	Blower Base	X		
7	126-040	Blower Base		X	
7	126-044	Blower Base			X
8	171-137	Heat Exchanger Assembly	X		
8	171-141	Heat Exchanger Assembly		X	
8	171-146	Heat Exchanger Assembly			X
9	168-002	Internal Flue Baffle Outside	2	3	2
10	168-013	Internal Flue Baffle Inside			2
11	913-0002	Flue Stack Assembly	X		
11	913-0004	Flue Stack Assembly		X	X
12	168-003	Secondary Air Baffle	X		
12	168-008	Secondary Air Baffle		X	
12	168-010	Secondary Air Baffle			X
13	112-099	Ignition Module Bracket	X	X	X
14	152-118	Right Filter Door	X	X	X
15	152-115	Left Filter Door	X		
15	152-116	Left Filter Door		X	
15	152-117	Left Filter Door			X
16	112-028	Door Switch Bracket	X	X	X
17	130-062	Rear Filter Support	X	X	X
18	130-023	Filter Support	X	X	X
19	913-0005	Collector Box Assembly	X		
19	913-0006	Collector Box Assembly		X	
19	913-0007	Collector Box Assembly			X
20	140-159	Switch Support	X		
20	140-163	Switch Support		X	
20	140-161	Switch Support			X

Date: 11-20-95
Supersedes: 3-26-92

FUNCTIONAL COMPONENTS



Date: 3-26-92
Supersedes: 2-19-90

FUNCTIONAL COMPONENTS

Dwg. No.	Part No.	Description	I C 6 0 D 3 6 E	I C 8 5 D 4 E	I C 1 5 D 4 8 E
1	900-114	Blower Assembly	x		
1	900-116	Blower Assembly		x	
1	900-118	Blower Assembly			x
2	151-075	Blower Housing	x		
2	151-076	Blower Housing		x	
2	151-077	Blower Housing			x
3	5152-010	Blower Wheel	x		
3	5152-014	Blower Wheel		x	
3	5152-059	Blower Wheel			x
4	144-125	Diffuser	x		
4	144-128	Diffuser		x	
4	144-129	Diffuser			x
5	8105-008	Motor	x		
5	8105-009	Motor		x	
5	8106-018	Motor			x
6	8552-002	Capacitor	x	x	
6	8552-004	Capacitor			x
7	8200-036	Motor Mount Arm	3		
7	8200-034	Motor Mount Arm		3	3
8	8200-033	Motor Mount Band	x	x	x
9	901-0074	Burner Assembly	x		
9	901-0050	Burner Assembly		x	
9	901-0061	Burner Assembly			x
10	5651-062	Gas Valve	x	x	x
11	5818-019	Burner Manifold	x		
11	5818-020	Burner Manifold		x	
11	5818-021	Burner Manifold			x
12	112Y095	Left Manifold Bracket	x	x	x
13	9010-010	Gas Orifice #38	2	3	4
14	8600-009	Ignition Cable	x	x	x
15	8620-038	Pilot Burner Assembly	x	x	x
16	9010-064	Burner Venturi 2 Section	x		
16	9010-065	Burner Venturi 3 Section		x	
16	9010-066	Burner Venturi 4 Section			x
17	112X095	Right Manifold Bracket	x	x	x

Dwg. No.	Part No.	Description	I C 6 0 D 3 6 E	I C 8 5 D 4 E	I C 1 5 D 4 8 E
18	1921-019	IDB Gasket	x	x	x
19	8406-051	Pressure Switch	x	x	x
20	8201-075	DPST Relay--24V	x	x	x
21	5651-093	Ignition Module	x	x	x
22	8620-083	Fan/Limit Control	x		
22	8620-082	Fan/Limit Control		x	x
23	1171-025	Door Pull	x	x	x
24	8614-001	Junction Box	x	x	x
25	8201-006	2 Speed Fan Center	x	x	x
26	7003-001	Permanent Filter 10x20x1		2	1
27	7003-003	Permanent Filter 15x20x1	1		1
28	8406-047	Door Switch	x	x	x
29	8109-001	Induced Draft Blower	x	x	x
30	8406-038	Flame Rollout Switch	x	x	x
31	8402-014	Upper Limit	x	x	x
	4046-149	Wiring Diagram	x	x	x
	8620-040	Pilot Gas Tube W/Fitting	x	x	x

Date: 11-20-95
Supersedes: 12-15-93