

REPLACEMENT PARTS MANUAL

HIGH ECONOMY GAS FIRED FURNACES

MODELS : IL85D42E, IL115D48E, IL145D60E

Manual 2110-855 Revision H Date **11-20-95** Supersedes **12-15-93**

* GENERAL NOTES *

*Revised and/or additional pages may be issued from time to time.
*A complete and current manual consists of pages dated as shown in the following index.

** INDEX **

<u>Page</u>	<u>Description</u>	<u>Page</u>	<u>Date</u>	<u>Supersedes</u>
Cabinet	Components--Exploded View	1	3-23-92	2-19-90
"	" --Usage List	2	11-20-95	3-26-92
Functional	Components--Exploded View	3	11-20-95	3-23-92
"	" --Usage List	4	11-20-95	12-15-93

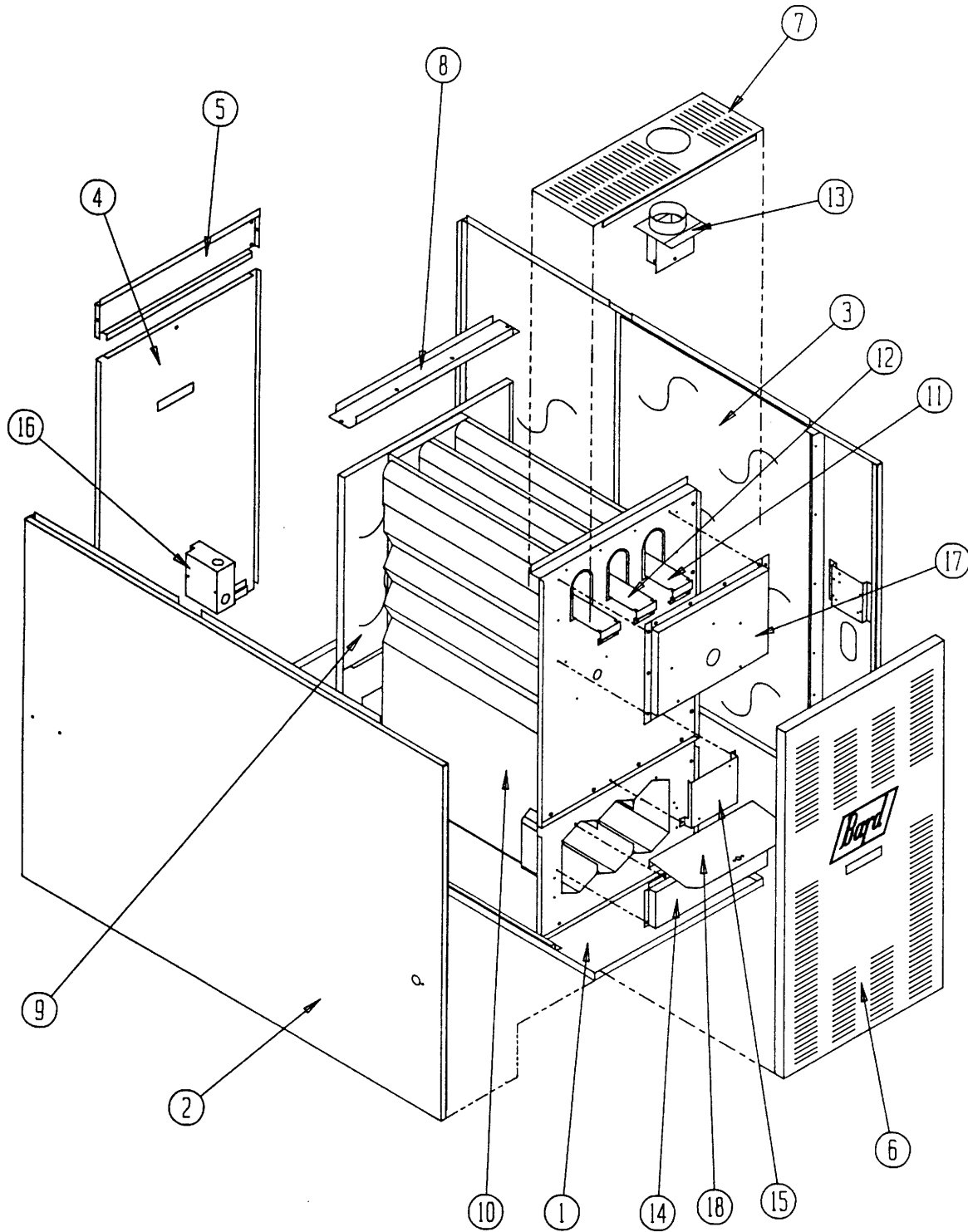
*** IMPORTANT ***

Contact the installing and/or local Bard distributor for all parts requirements. Make sure you have the complete model and serial number available from the unit rating plate.

BARD MANUFACTURING COMPANY

BRYAN, OHIO 43506

CABINET COMPONENTS



IL85D42D model shown above

Date: 3-23-92
Supersedes: 2-19-90

2110-855
Page: 1

CABINET COMPONENTS

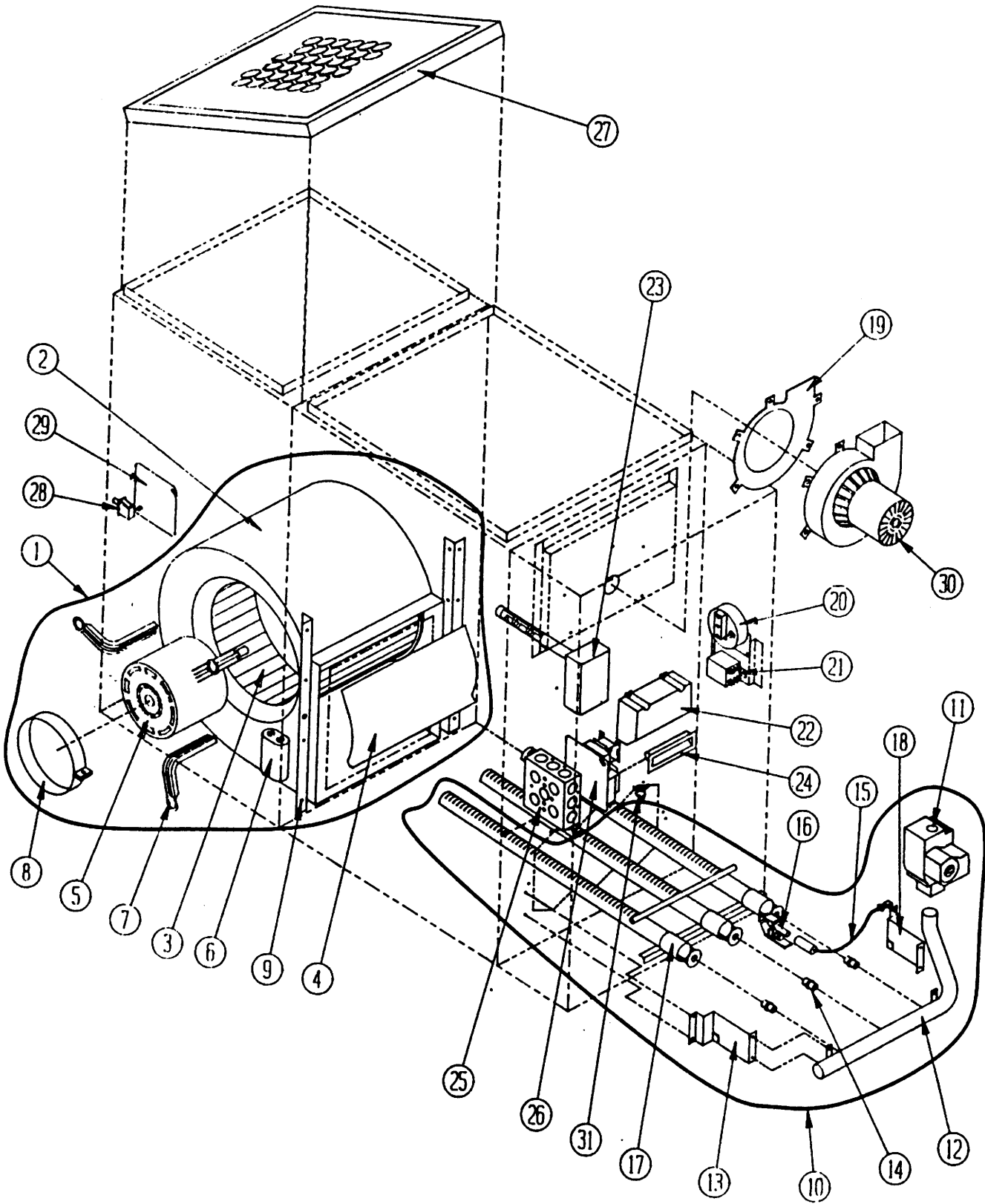
Dwg. No.	Part No.	Description	I L 8 5 D 4 2 E	I L 1 5 D 4 8 E	I L 1 4 5 D 6 0 E
1	127-099	Base	x		
1	127-100	Base		x	
1	127-101	Base			x
2	501-250	Left Side Assembly	x	x	x
3	501-251	Right Side Assembly	x	x	x
4	553-092	Blower Door Assembly	x		
4	553-094	Blower Door Assembly		x	
4	553-096	Blower Door Assembly			x
5	108-042	Upper Back	x		
5	108-043	Upper Back		x	
5	108-044	Upper Back			x
6	152-093	Burner Door	x		
6	152-095	Burner Door		x	
6	152-097	Burner Door			x
7	106-041	Top Fill	x		
7	106-042	Top Fill		x	
7	106-079	Top Fill			x
8	164-527	Top Channel	x		
8	164-528	Top Channel		x	
8	164-529	Top Channel			x
9	521-212	Blower Partition	x		
9	521-213	Blower Partition		x	
9	521-214	Blower Partition			x
10	171-142	Heat Exchanger Assembly	x		
10	171-147	Heat Exchanger Assembly		x	
10	171-155	Heat Exchanger Assembly			x
11	168-002	Internal Flue Baffle Outside	3	2	4
12	168-013	Internal Flue Baffle Inside		2	1
13	913-0004	Flue Stack Assembly	x	x	x
14	168-008	Secondary Air Baffle	x		
14	168-010	Secondary Air Baffle		x	
14	168-018	Secondary Air Baffle			x
15	112-099	Ignition Module Bracket	x	x	x
16	116-084	Rear Junction Box	x	x	x
17	913-0006	Collector Box Assembly	x		
17	913-0007	Collector Box Assembly		x	
17	913-0008	Collector Box Assembly			x
18	140-160	Switch Support	x		
18	140-161	Switch Support		x	
18	140-162	Switch Support			x

Date: 11-20-95
Supersedes: 3-23-92

2110-855

Page: 2

FUNCTIONAL COMPONENTS



Date: 11-20-95
Supersedes: 3-23-92

FUNCTIONAL COMPONENTS

Dwg. No.	Part No.	Description	I L 8 5 D 4 2 E	I L 1 5 D 4 8 E	I L 1 4 5 D 6 0 E
1	900-103	Blower Assembly	x		
1	900-104	Blower Assembly		x	
1	900-054	Blower Assembly			x
2	151-073	Blower Housing Assembly	x		
2	151-074	Blower Housing Assembly		x	
2	(1)5152-050	Blower Housing Assembly			x
3	5152-014	Blower Wheel	x		
3	5152-059	Blower Wheel		x	
3	5152-053	Blower Wheel			x
4	144-128	Diffuser	x		
4	144-129	Diffuser		x	
4	(1)N/A	Diffuser			x
5	8105-009	Motor	x		
5	8106-018	Motor		x	
5	8107-004	Motor			x
6	8552-002	Capacitor	x		
6	8552-004	Capacitor		x	
6	8552-026	Capacitor			x
7	8200-034	Motor Mount Arm	3	3	
7	8200-035	Motor Mount Arm			3
8	8200-033	Motor Mount Band	x	x	x
9	104-794	Blower Angle	2	2	2
10	901-0050	Burner Assembly	x		
10	901-0061	Burner Assembly		x	
10	901-0076	Burner Assembly			x
11	5651-062	Gas Valve	x	x	x
12	5818-020	Manifold 3 Section	x		
12	5818-021	Manifold 4 Section		x	
12	5818-022	Manifold 5 Section			x
13	112Y095	Left Manifold Bracket	x	x	x
14	9010-010	Gas Orifice #38	3	4	5
15	8600-009	Ignition Cable	x	x	x
16	8620-038	Pilot Burner Assembly	x	x	x
17	9010-065	Burner 3 Section	x		
17	9010-066	Burner 4 Section		x	
17	9010-067	Burner 5 Section			x

Dwg. No.	Part No.	Description	I L 8 5 D 4 2 E	I L 1 5 D 4 8 E	I L 1 4 5 D 6 0 E
18	112X095	Right Manifold Bracket	x	x	x
19	1921-019	IDB Gasket	x	x	x
20	8406-051	Pressure Switch	x	x	x
21	8201-075	DPST Relay 24V Coil	x	x	x
22	5651-093	Ignition Module	x	x	x
23	8620-081	Fan/Limit Control	x	x	
23	8620-080	Fan/Limit Control			x
24	1171-025	Door Pull	x	x	x
25	8614-001	Front Junction Box	x	x	x
26	8201-006	Fan Center	x	x	x
27	7003-040	Permanent Filter	1		
27	7003-041	Permanent Filter		1	
27	7003-042	Permanent Filter			1
28	8606-047	Door Switch	x	x	x
29	8614-029	Cover Plate	x	x	x
30	8109-001	Induced Draft Blower	x	x	x
31	8406-037	Flame Rollout Switch	x		
31	8406-038	Flame Rollout Switch		x	x
	4046-150	Wiring Diagram	x	x	x
	8620-040	Pilot Gas Tube W/Fitting	x	x	x

(1) Dwg. No. 2 part No. 5152-050 includes housing, diffuser, and blower wheel part No. 5152-053.

Date: 11-20-95
Supersedes: 12-15-93