

REPLACEMENT PARTS MANUAL

EXTRA **HIGH** EFFICIENCY II
CONDENSING **GAS** FURNACE
CC - - SERIES

Manual 2110-857

Revision B

Date Z-19-90

Supersedes **1-10-90**

* GENERAL NOTES *

*Revised and/or additional pages may be issued from time to time.
*A complete and current manual consists of pages dated as shown in the following index.

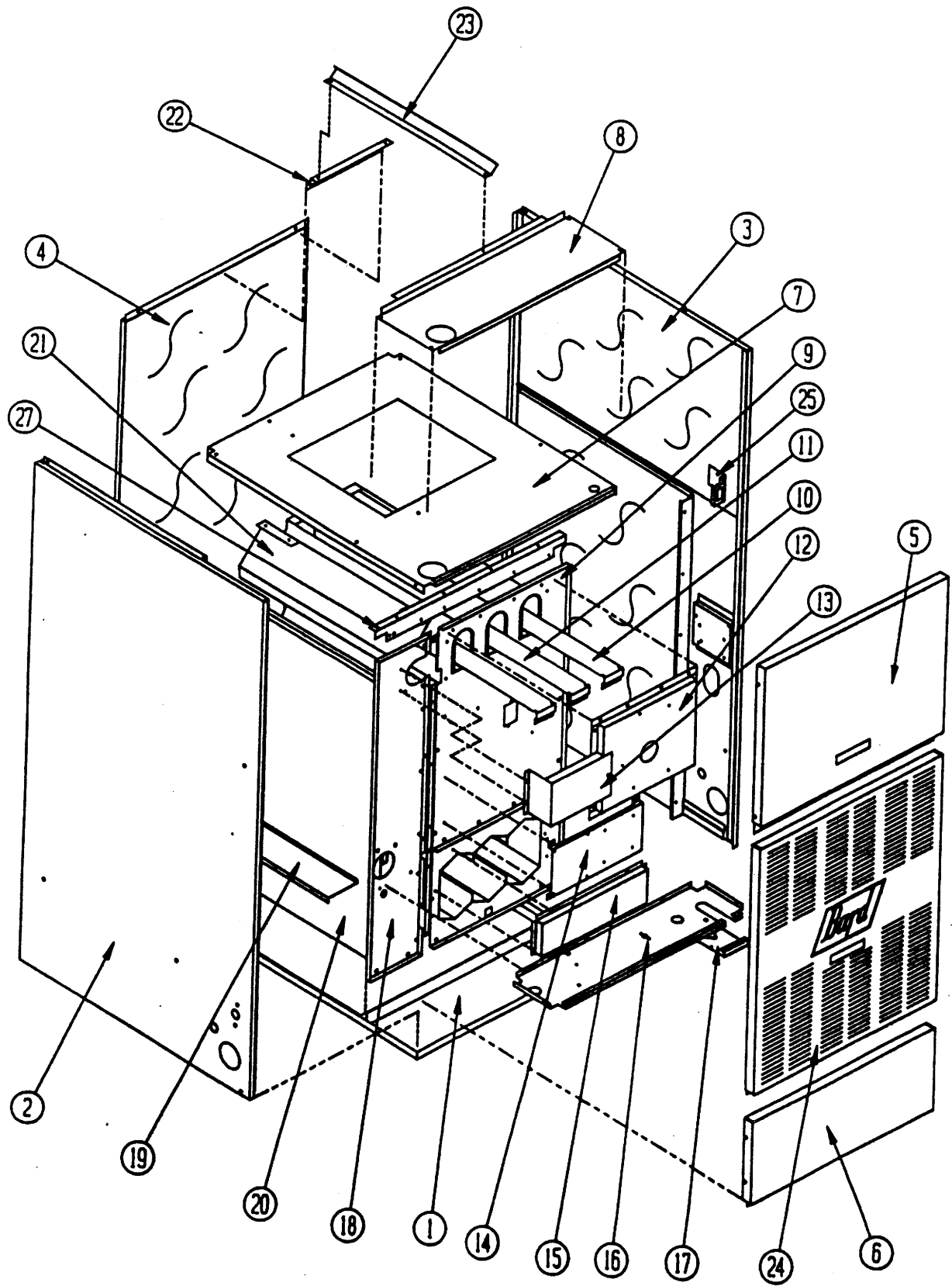
** INDEX **

<u>Page Description</u>	<u>Page</u>	<u>Date</u>	<u>Supersedes</u>
Cabinet Components--Exploded View	1	Z-19-90	1-10-90
" " --Usage List	2	Z-19-90	1-10-90
functional Components--Exploded View	3	Z-19-90	7-26-89
" " --Usage List	4	Z-19-90	1-10-90

*** IMPORTANT ***

Contact the installing and/or local Bard distributor for all parts requirements. Make sure you have the complete model and serial number available from the unit rating plate.

DOWNELOW CABINET COMPONENT PARTS



Date: 2-19-90
Supersedes: 1-10-90

DOWNFLOW CABINET COMPONENT PARTS LIST

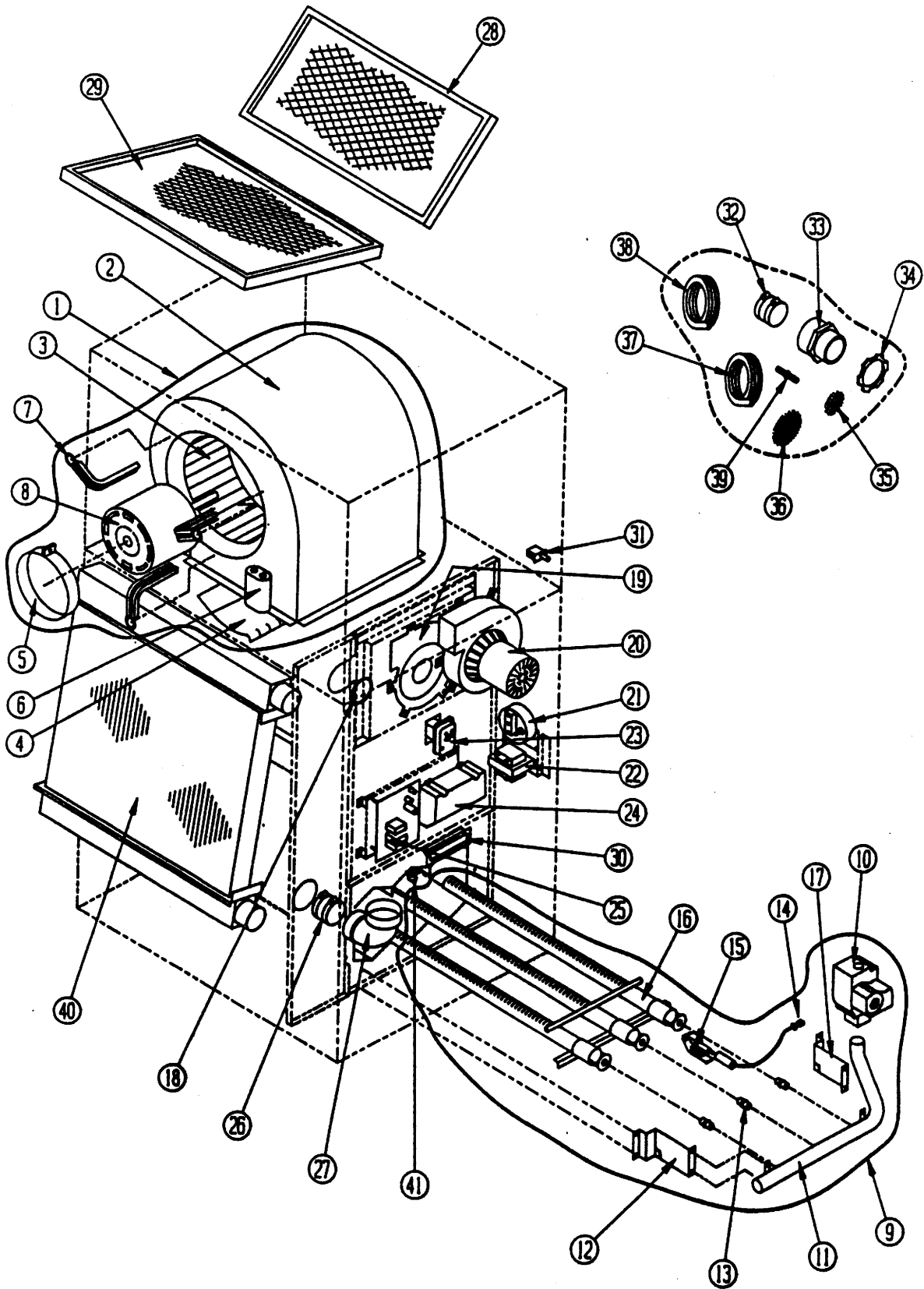
Dwg. No.	Part No.	Description	C C O 6 0 D 3 6 A	C C O 8 0 D 4 8 A	C C 1 0 0 D 4 8 A
1	127-166	Lower Base Assembly	x		
1	127-167	Lower Base Assembly		x	
1	127-163	Lower Base Assembly			x
2	501-198	Left Side Assembly	x	x	x
3	501-197	Right Side Assembly	x	x	x
4	508-018	Back Assembly	x		
4	508-019	Back Assembly		x	
4	508-073	Back Assembly			x
5	552-171	Blower Door Assembly	x		
5	552-172	Blower Door Assembly		x	
5	552-173	Blower Door Assembly			x
6	552-165	Burner Door Assembly	x		
6	552-166	Burner Door Assembly		x	
6	552-167	Burner Door Assembly			x
7	126-160	Blower Base Assembly	x		
7	126-161	Blower Base Assembly		x	
7	126-162	Blower Base Assembly			x
8	106-119	Top Fill	x		
8	106-120	Top Fill		x	
8	106-121	Top Fill			x
9	171-162	Heat Exchanger Assembly	x		
9	171-163	Heat Exchanger Assembly		x	
9	171-164	Heat Exchanger Assembly			x
10	168-002	Internal Flue Baffle	2	2	2
11	168-013	Internal Flue Baffle		1	2
12	913-0039	Collector Box Assembly	x		
12	913-0048	Collector Box Assembly		x	
12	913-0050	Collector Box Assembly			x
13	169-034	Transition Assembly	x		
13	169-035	Transition Assembly		x	
13	169-036	Transition Assembly			x
*14	112-088	Module Bracket	x		
*14	112-100	Module Bracket		x	x
15	168-003	Secondary Air Baffle	x		
15	168-008	Secondary Air Baffle		x	
15	168-010	Secondary Air Baffle			x
16	120-150	Burner Compartment Partition	x		
16	120-151	Burner Compartment Partition		x	
16	120-152	Burner Compartment Partition			x

Dwg. No.	Part No.	Description	C C O 6 0 D 3 6 A	C C O 8 0 D 4 8 A	C C 1 0 0 D 4 8 A
17	136-132	Manifold Fill Plate			x
17	136-131	Manifold Fill Plate	x	x	
18	520-119	Coil Partition	x	x	x
19	140-133	Coil Support	x	x	x
20	134-098	Internal Coil Partition	x	x	x
21	134-107	Coil Extension Partition	x	x	
22	130-023	Filter Support Bracket	x	x	x
23	130-062	Main Filter Support	x	x	x
24	152-168	Vestibule Door	x		
24	152-169	Vestibule Door		x	
24	152-170	Vestibule Door			x
25	112-094	Door Switch Bracket	x	x	x
26	104-821	Upper Heat Ex. Fill	x		
26	104-822	Upper Heat Ex. Fill		x	
26	104-823	Upper Heat Ex. Fill			x

*CC080 and CC100 module bracket shown.

Date: 2-19-90
Supersedes: 1-10-90

DOWNFLOW FUNCTIONAL COMPONENT PARTS



Date: 2-19-90
Supersedes: 7-26-89

DOWNFLOW FUNCTIONAL COMPONENT PARTS LIST

Dwg. No.	Part No.	Description	C C O 6 O D 3 6 A	C C O 8 O D 4 8 A	C C O 1 O D 4 8 A
1	900-150	Blower Assembly	X		
1	900-151	Blower Assembly		X	
1	900-152	Blower Assembly			X
2	151-089	Blower Housing Assembly	X		
2	151-077	Blower Housing Assembly		X	
2	151-090	Blower Housing Assembly			X
3	5152-013	Blower Wheel	X		
3	5152-059	Blower Wheel		X	
3	5152-061	Blower Wheel			X
4	144-127	Diffuser	X		
4	144-129	Diffuser		X	
4	144-131	Diffuser			X
5	8200-033	Motor Mount Band	X	X	X
6	8552-002	Capacitor	X		
6	8552-004	Capacitor		X	
6	8552-006	Capacitor			X
7	8200-034	Motor Mount Arm	3	3	3
8	8105-008	Motor	X		
8	8106-018	Motor		X	
8	8107-004	Motor			X
9	901-0083	Burner Assembly	X		
9	901-0082	Burner Assembly		X	
9	901-0084	Burner Assembly			X
10	5651-062	Gas Valve	X	X	X
11	5818-019	Manifold 2 Section	X		
11	5818-020	Manifold 3 Section		X	
11	5818-021	Manifold 4 Section			X
12	112Y095	Left Manifold Bracket	X	X	X
13	9010-010	Gas Orifice #38	2		
13	9010-046	Gas Orifice #41		3	4
14	8600-009	Ignition Wire	X	X	X
15	8554-009	Pilot Assembly	X	X	X
16	9010-036	Burner 2 Section	X		
16	9010-037	Burner 3 Section		X	
16	9010-038	Burner 4 Section			X
17	112X095	Right Manifold Bracket	X	X	X
18	1921-020	Silicone Gasket	X	X	X
19	1921-019	IDB Gasket	X	X	X
20	8620-033	Induced Draft Blwr Assy Kit	X	X	X

Dwg. No.	Part No.	Description	C C O 6 O D 3 6 A	C C O 8 O D 4 8 A	C C O 1 O D 4 8 A
21	8406-041	Pressure Switch			X
21	8406-042	Pressure Switch	X	X	
22	8407-039	Transformer 40VA	X	X	X
23	8620-032	Limit Switch	X	X	X
24	5651-073	Ignition Module	X	X	X
25	8201-053	Blower Control	X	X	X
26	6093-007	"No-Hub" Connector	X	X	X
27	6095-005	Street Elt 90 degree	X	X	X
28	7003-001	Permanent Filter 10 x 20 x 1	2	1	1
29	7003-003	Permanent Filter 15 x 20 x 1		1	1
30	1171-025	Flush Door Pull	2	2	2
31	8406-013	Door Switch	X	X	X
32	6093-008	"No-Hub" Connector	X	X	X
33	6093-006	Male Adapter 2"	X	X	X
34	8611-063	2" Locknut	X	X	X
35	7002-009	2" Bird Screen	3	3	3
36	7002-008	3" Bird Screen		3	3
37	5452-005	Vinyl Tubing	X	X	X
38	5452-006	Silicone Tubing	X	X	X
39	6093-009	Hose Coupling	X	X	X
40	5055-001	Coil Assembly	X	X	X
41	8406-038	Flame Rollout Switch	X	X	X
	4046-108	Wiring Diagram	X	X	X

Date: 2-19-90
Supersedes: 1-10-90