

REPLACEMENT PARTS MANUAL

UPFLOW GAS FURNACE

MODELS: DCH036D30A, DCH050D30A, DCH065D36A,
DCH080D48A, DCH095D60A, DCH110D60A

Manual 2110-859

Revision E

Date 04-04-94

Supersedes 12-02-93

GENERAL NOTES

*Revised and/or additional pages may be issued from time to time.
*A complete and current manual consists of pages dated as shown in the following index.

** INDEX **

<u>Page</u>	<u>Description</u>	<u>Page</u>	<u>Date</u>	<u>Supersedes</u>
Cabinet	Components--Exploded View	1	06- 16-93	06-12-92
"	" --Usage List	2	06-09-93	06- 12-92
"	" --Usage List	3	06-09-93	06- 12-92
Functional	Components--Exploded View	4	06- 16-93	06-09-93
"	" --Usage List	5	12-02-93	06-09-93
"	" --Usage List	6	04-04-94	12-02-93

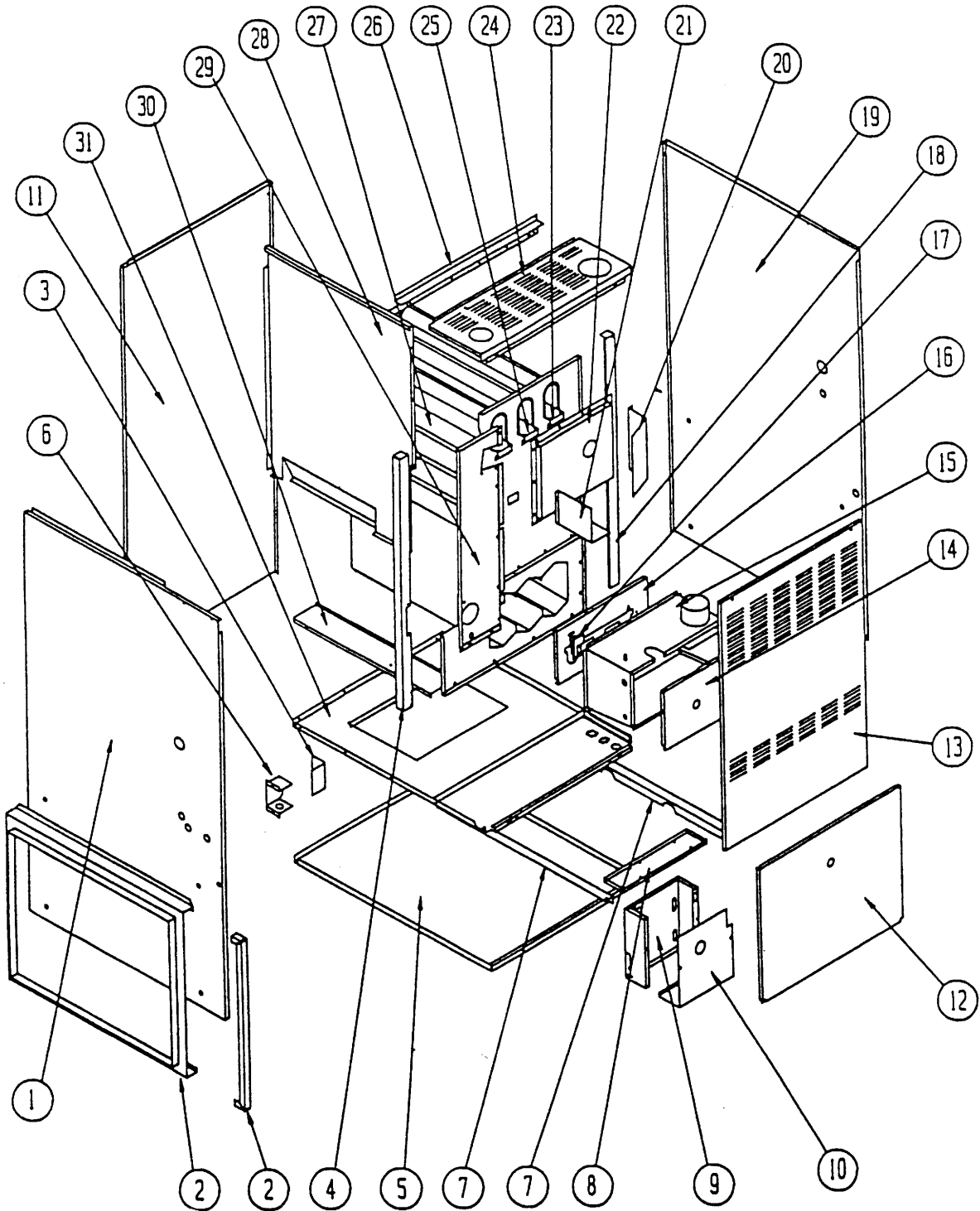
*** IMPORTANT ***

Contact the installing and/or local Bard distributor for all parts requirements. Make sure you have the complete model and serial number available from the unit rating plate.

BARD MANUFACTURING COMPANY

BRYAN, OHIO 43506

CABINET COMPONENTS



MODELS DCB080, DCB095 Shown

Date: 6-16-93
Supersedes: 6-12-92

2110-859
Page: 1

CABINET COMPONENTS

Dwg. No.	Part No.	Description	D	D	D	D	D	D
			C	C	C	C	C	C
			H	H	H	H	H	H
			0	0	0	0	0	1
			3	5	6	8	9	1
			6	0	5	0	5	0
			D	D	D	D	D	D
			3	3	3	4	6	6
			0	0	6	8	0	0
			A	A	A	A	A	A
1	500-231	Left Side Assembly	X	X	X	X	X	X
2	FR21	Filter Rack (1)	X	X	X	X	X	X
3	132-107	Junction Box Door	X	X	X	X	X	X
4	104-855	Left Side Angle	X	X	X	X	X	X
5	126-200	Lower Base	X	X	X			
5	126-205	Lower Base				X	X	
5	126-206	Lower Base						X
6	116-130	Junction Box	X	X	X	X	X	X
7	104-857	Blower Angle	X	X	X		X	
7	104-863	Blower Angle				X		
7	104-894	Blower Angle						X
8	116-125	Control Panel Bracket	X	X	X			
8	116-132	Control Panel Bracket				X		
8	116-133	Control Panel Bracket					X	
8	116-152	Control Panel Bracket						X
9	116-126	Control Panel	X	X	X	X	X	X
10	132-105	Control Panel Cover	X	X	X	X	X	X
11	508-090	Back	X	X	X			
11	508-093	Back				X	X	
11	508-094	Back Assembly						X
12	S152-210	Blower Door	X	X	X			
12	S152-214	Blower Door				X	X	
12	S152-215	Blower Door						X
13	S152-209	Vestibule Door	X	X	X			
13	S152-216	Vestibule Door				X	X	
13	S152-217	Vestibule Door						X
14	S168-052	Burner Box Cover	X	X	X			
14	S168-058	Burner Box Cover				X	X	
14	S168-063	Burner Box Cover						X
15	913-0066	Burner Box	X	X	X			
15	913-0067	Burner Box				X	X	
15	913-0070	Burner Box						X
16	168-050	Secondary Air Restrictor		X	X			
16	168-055	Secondary Air Restrictor				X	X	
16	168-060	Secondary Air Restrictor						X
16	168-068	Secondary Air Restrictor	X					
17	112-147	Ignitor Bracket	X	X	X	X	X	X
18	104-856	Right Side Angle	X	X	X	X	X	X
19	500-230	Right Side Assembly	X	X	X	X	X	X
20	134-121	Intake Air Shield	X	X	X			
21	134-120	Vent Air Shield	X	X	X	X	X	X

(1) Includes 16 x 25 permanent filter.

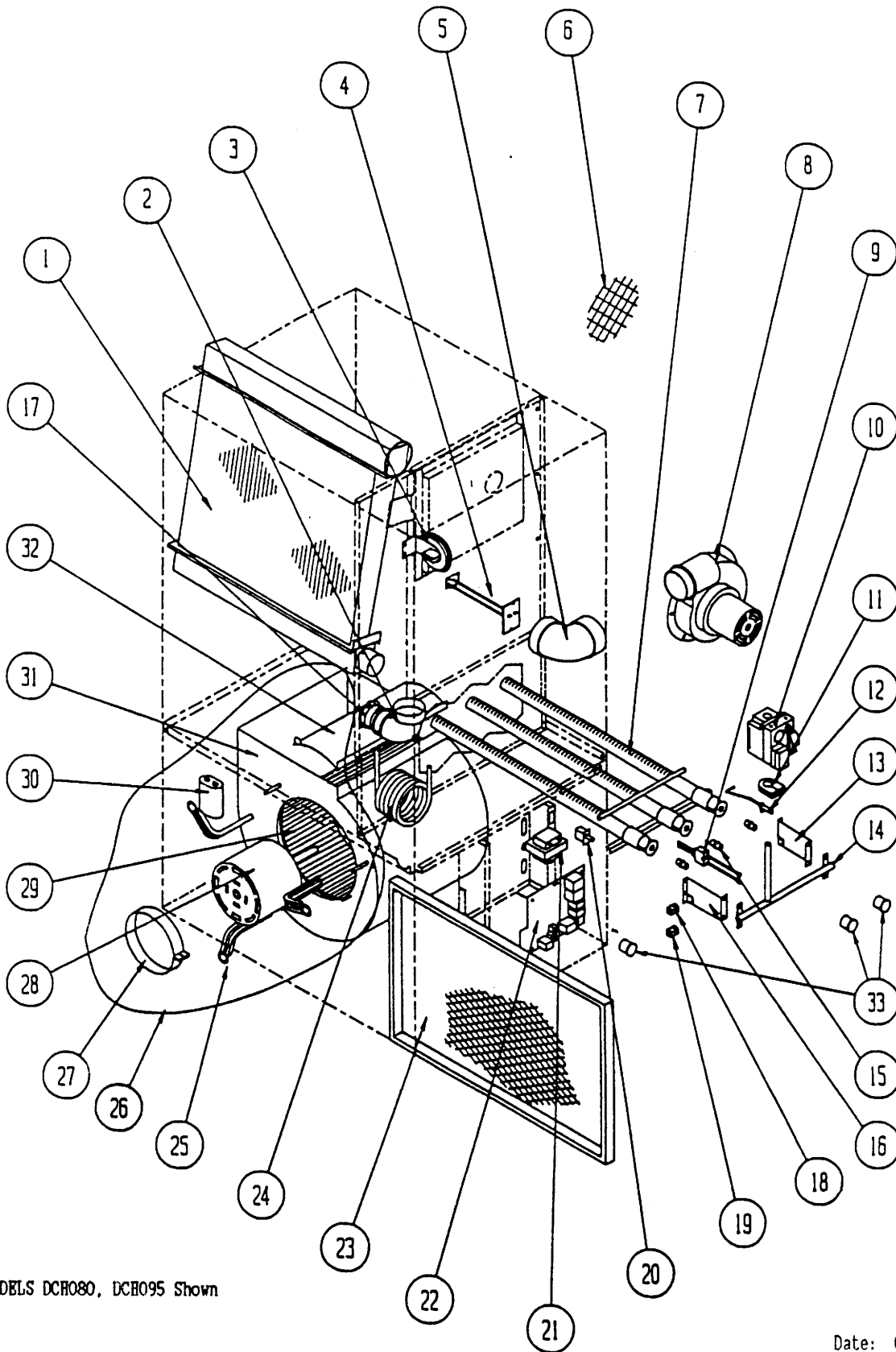
Date: 06-09-93
Supersedes: 06-12-92

CABINET COMPONENTS

Dwg. No.	Part No.	Description	D	D	D	D	D	D
			C	C	C	C	C	C
			H	H	H	H	H	H
			0	0	0	0	0	0
			3	5	6	8	9	1
			6	0	5	0	5	0
			D	D	D	D	D	D
			3	3	3	4	6	6
			0	0	6	8	0	0
			A	A	A	A	A	A
22	168-054	Collector Box		X	X			
22	168-059	Collector Box				X	X	
22	S168-054	Collector Box		X	X			
22	S168-059	Collector Box				X	X	
22	S168-064	Collector Box						X
22	S168-066	Collector Box	X					
23	168-002	Flue Baffle		2	2	3	3	2
24	106-131	Top Fill		X	X			
24	106-135	Top Fill				X	X	
24	106-136	Top Fill						X
25	168-013	Flue Baffle	1					2
26	140-134	Plenum Support		X	X			
26	140-135	Plenum Support				X	X	
27	171-193	Heat Exchanger		X	X			
27	171-194	Heat Exchanger				X	X	
27	171-195	Heat Exchanger Assembly						X
27	171-200	Heat Exchanger Assembly	X					
28	S134-099	Internal Coil Partition		X	X	X	X	
28	S134-136	Internal Coil Partition	X					X
29	520-183	Coil Partition Assembly		X	X	X	X	
29	520-227	Coil Partition	X					X
30	140-133	Coil Support	X	X	X	X	X	X
31	127-201	Blower Base Assembly	X	X	X			
31	127-207	Blower Base Assembly				X	X	
31	S126-208	Blower Base Assembly						X

Date: 06-09-93
Supersedes: 06-12-93

FUNCTIONAL COMPONENTS



MODELS DCH080, DCH095 Shown

Date: 06-16-93
Supersedes: 06-09-93

2110-859
Page: 4

FUNCTIONAL COMPONENTS

Dwg. No.	Part No.	Description	D C H O 3 6 D 3 0 A	D C H O 5 0 D 3 0 A	D C H O 6 5 D 3 6 A	D C H O 8 0 D 4 8 A	D C H O 9 5 D 6 0 A	D C H O 1 1 O D 6 O A
1	5055-002	Coil Assembly		X		X		
1	5055-003	Coil Assembly	X		X		X	X
2	6095-005	2" Street Elbow--PVC	X	X	X	X	X	
2	6095-008	2" Street Elbow--ABS						X
3	8406-068	Pressure Switch		X		X		
3	8406-069	Pressure Switch			X			
3	8406-070	Pressure Switch	X				X	X
4	8402-064	Limit Control				X	X	
4	8402-067	Limit Control			X			X
4	8402-068	Limit Control		X				
4	8402-079	Limit Control	X					
5	6095-006	High Temperature Elbow	X	X	X	X	X	X
6	7002-022	2.375" Bird Screen	2	2	2			
6	7002-023	2.875" Bird Screen	2	2	2			
6	7002-024	3.500" Bird Screen	2	2	2	2	2	2
7	9010-060	Burner	X					
7	9010-061	Burner		X	X			
7	9010-062	Burner				X	X	
7	9010-063	Burner						X
8	8620-078	Induced Draft Blower Assembly	X	X	X	X	X	X
9	8553-003	Ignitor	X	X	X	X	X	X
10	5651-083	Gas Valve	X	X	X			
10	5651-089	Gas Valve				X	X	
10	5651-106	Gas Valve						X
11	5451-017	Manifold Grommet	X	X	X	X	X	X
12	8554-016	Sensor		X	X	X	X	X
12	8554-018	Sensor	X					
13	112X148	Right Manifold Bracket	X	X	X	X	X	X
14	5818-028	Gas Manifold		X	X			
14	5818-029	Gas Manifold				X	X	
14	5818-030	Gas Manifold						X
14	5818-031	Gas Manifold	X					
15	9010-010	Gas Orifice #38						X
15	9010-043	Gas Orifice #36			X			
15	9010-052	Gas Orifice 2.70 MM					X	
15	9010-053	Gas Orifice #33	X					
15	9010-054	Gas Orifice 3/32"		X				
15	9010-057	Gas Orifice 2.45MM				X		
16	112Y148	Left Manifold Bracket	X	X	X	X	X	X
17	6093-007	No-Hub Connector	X	X	X	X	X	X
18	8611-073	Single Terminal Bushing	X	X	X	X	X	X
19	8611-074	Double Terminal Bushing	X	X	X	X	X	X

Date: 12-02-93
Supersedes: 06-09-93

FUNCTIONAL COMPONENTS

Dwg. No.	Part No.	Description	D	D	D	D	D	D
			C	C	C	C	C	C
			H	H	H	H	H	H
			O	O	O	O	O	O
			3	5	6	8	9	1
			6	0	5	0	5	0
			D	D	D	D	D	D
			3	3	3	4	6	6
			0	0	6	8	0	0
			A	A	A	A	A	A
20	8406-047	Door Switch	x	x	x	x	x	x
21	8407-039	Transformer	x	x	x	x	x	x
22	5651-084	Furnace Control	x	x	x	x	x	x
23	7003-004	16 x 25 Permanent Filter	x	x	x	x	x	x
24	5452-005-6000	Vinyl Drain Hose	x	x	x	x	x	x
25	8200-034	Motor Mount Arm	3	3	3	3		
25	8200-035	Motor Mount Arm					3	3
26	900-173	Blower Assembly			x			
26	900-174	Blower Assembly	x	x				
26	900-175	Blower Assembly				x		
26	900-176	Blower Assembly					x	
26	900-177	Blower Assembly						x
27	8200-033	Motor Mount Band	x	x	x	x	x	x
28	8105-037	1/3 HP Motor 115V			x			
28	8105-038	1/3 HP Motor 115V	x	x				
28	8106-028	1/2 HP Motor 115V				x		
28	8107-005	3/4 HP Motor 115V					x	
28	8107-008	3/4 HP Motor 115V						x
29	5152-005	Blower Wheel	x	x				
29	5152-013	Blower Wheel			x			
29	5152-053	Blower Wheel					x	
29	5152-059	Blower Wheel				x		
29	5152-072	Blower Wheel						x
29	5152-073	Blower Wheel						x
30	8552-002	Capacitor 5 MFD 370V	x	x	x			
30	8552-004	Capacitor 7 MFD 370V				x		
30	8552-026	Capacitor 15 MFD 370V					x	x
31	151-082	Blower Housing				x		
31	151-085	Blower Housing	x	x	x			
31	151-102	Blower Housing						x
31	151-103	Blower Housing						x
31	5152-050	Blower Housing (1)					x	
32	144-127	Diffuser	x	x	x			
32	144-129	Diffuser				x		
32	144-167	Diffuser						2
32	(1) N/A	Diffuser					x	
33	8611-075	Sight Glass	3	3	3	3	3	3
33	112-158	Blower Assembly Bracket						2

(1) Drawing No. 31 part No. 5152-050 includes housing, diffuser, and wheel part No. 5152-053.

Date: 04-04-94
Supersedes: 12-02-93