

# REPLACEMENT PARTS MANUAL

## UPFLOW GAS FURNACE

MODELS: DCH036D30A; DCH050D30B; DCH065D36B;  
DCH080D48B; DCH095D60B; DCH110D60A

Manual 2110-868

Revision D

Date 05-02-95

Supersedes 03-29-95

\*\*\*\*\*  
\* GENERAL NOTES \*  
\*\*\*\*\*

\*Revised and/or additional pages may be issued from time to time.  
\*A complete and current manual consists of pages dated as shown in the following index.

\*\*\*\*\*  
\*\* INDEX \*\*  
\*\*\*\*\*

<u>Page Description</u>	<u>Page</u>	<u>Date</u>	<u>Supersedes</u>
Cabinet Components--Exploded View	1	05-03-94	
" " --Usage List	2	08-15-94	05-03-94
" " --Usage List	3	05-03-94	
Functional Components--Exploded View	4	05-03-94	
" " --Usage List	5	02-24-95	05-03-94
" " --Usage List	6	05-02-95	03-29-95
Wire Harness	7	02-24-95	

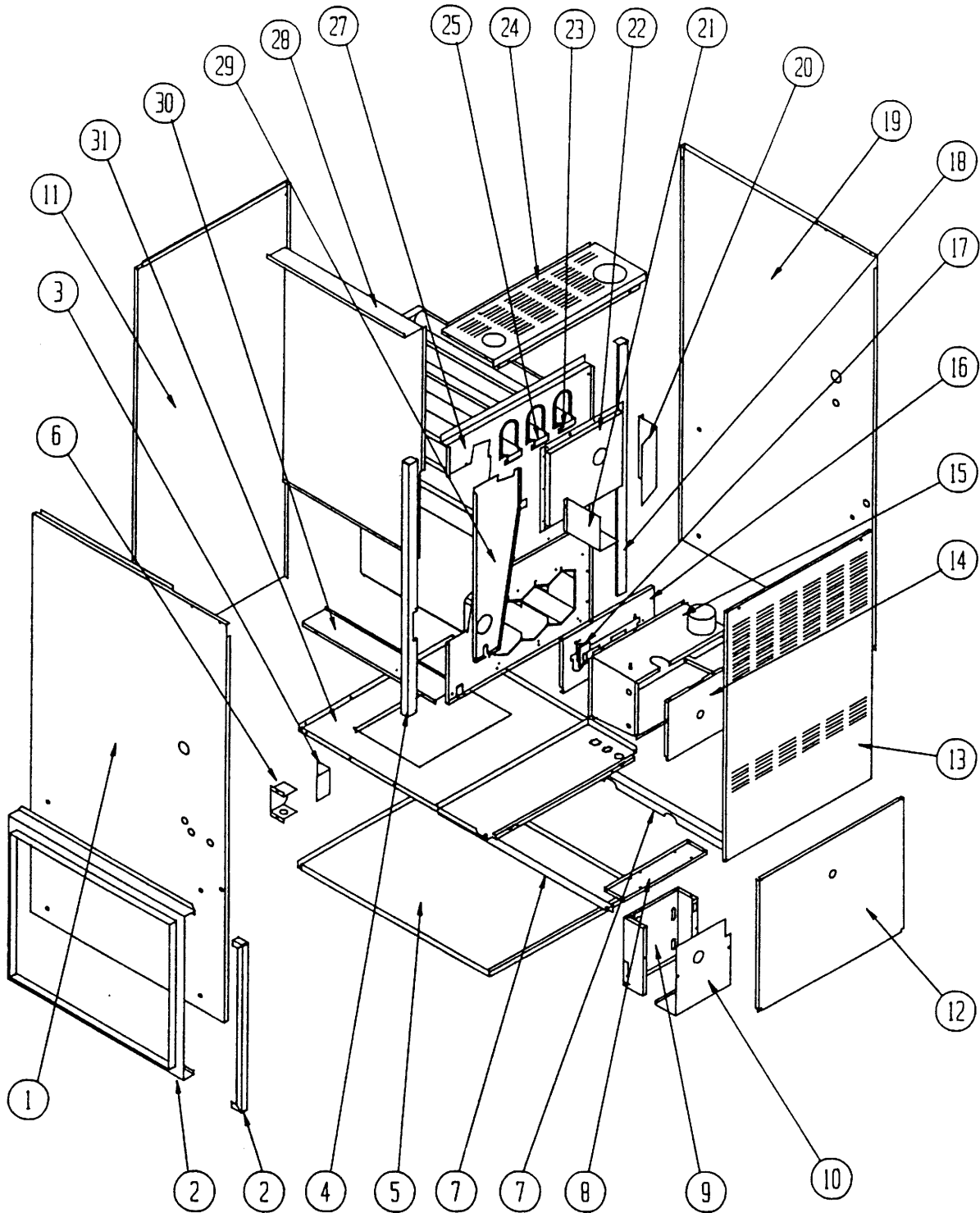
\*\*\*\*\*  
\*\*\* IMPORTANT \*\*\*  
\*\*\*\*\*

Contact the installing and/or local Bard distributor for all parts requirements. Make sure you have the complete model and serial number available from the unit rating plate.

BARD MANUFACTURING COMPANY

BRYAN, OHIO 43506

CABINET COMPONENTS



MODELS DCR080, DCR095 Shown

Date: 5-03-94  
Supersedes:

2110-868  
Page: 1

CABINET COMPONENTS

Dwg. No.	Part No.	Description	D	D	D	D	D	D
			C	C	C	C	C	C
			H	H	H	H	H	H
			O	O	O	O	O	O
			3	5	6	8	9	1
			6	0	5	0	5	0
			D	D	D	D	D	D
			3	3	3	4	6	6
			0	0	6	8	0	0
			A	B	B	B	B	A
1	500-231	Left Side Assembly	X	X	X	X	X	X
2	FR21	Filter Rack (1)	X	X	X	X	X	X
3	132-107	Junction Box Door	X	X	X	X	X	X
4	104-889	Left Side Angle	X	X	X	X	X	X
5	126-200	Lower Base	X	X	X			
5	126-205	Lower Base				X	X	
5	126-206	Lower Base						X
6	116-130	Junction Box	X	X	X	X	X	X
7	104-857	Blower Angle	X	X	X		X	
7	104-863	Blower Angle				X		
7	104-894	Blower Angle						X
8	116-125	Control Panel Bracket	X	X	X			
8	116-132	Control Panel Bracket				X		
8	116-133	Control Panel Bracket					X	
8	116-152	Control Panel Bracket						X
9	116-126	Control Panel	X	X	X	X	X	X
10	132-105	Control Panel Cover	X	X	X	X	X	X
11	508-090	Back Assembly	X	X	X			
11	508-093	Back Assembly				X	X	
11	508-094	Back Assembly						X
12	S152-210	Blower Door	X	X	X			
12	S152-214	Blower Door				X	X	
12	S152-215	Blower Door						X
13	S152-209	Vestibule Door	X	X	X			
13	S152-216	Vestibule Door				X	X	
13	S152-217	Vestibule Door						X
14	S168-052	Burner Box Cover	X	X	X			
14	S168-058	Burner Box Cover				X	X	
14	S168-063	Burner Box Cover						X
15	913-0066	Burner Box	X	X	X			
15	913-0067	Burner Box				X	X	
15	913-0070	Burner Box						X
16	168-050	Secondary Air Restrictor		X	X			
16	168-055	Secondary Air Restrictor				X	X	
16	168-060	Secondary Air Restrictor						X
16	168-068	Secondary Air Restrictor	X					
17	112-147	Ignitor Bracket	X	X	X	X	X	X
18	104-903	Right Side Angle	X	X	X	X	X	X
19	500-230	Right Side Assembly	X	X	X	X	X	X
20	134-121	Intake Air Shield	X	X	X			
21	134-120	Vent Air Shield	X	X	X	X	X	X

(1) Includes 16 x 25 permanent filter.

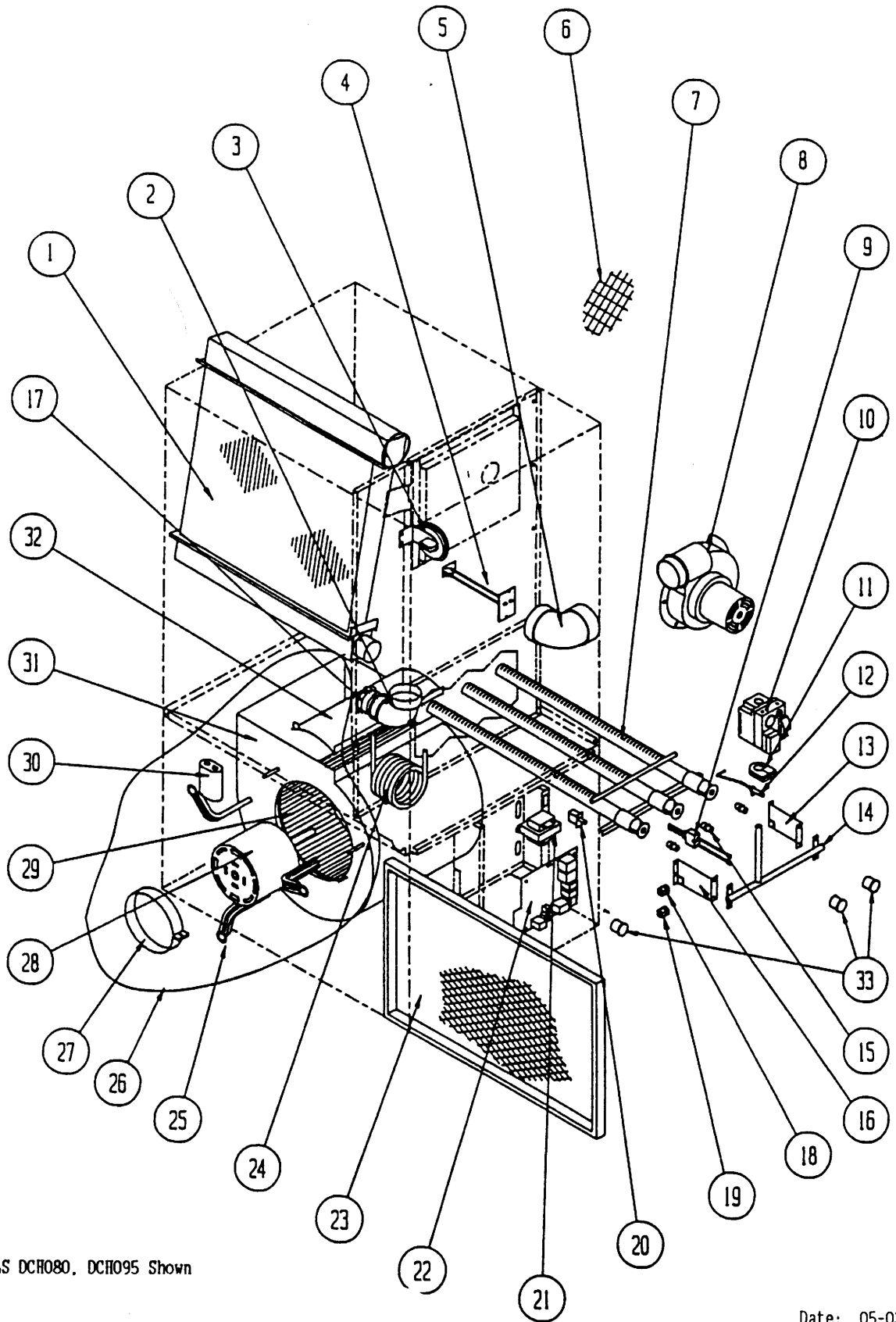
Date: 08-15-94  
Supersedes: 05-03-94

CABINET COMPONENTS

Dwg. No.	Part No.	Description	D	D	D	D	D	D
			C	C	C	C	C	C
			H	H	H	H	H	H
			O	O	O	O	O	O
			3	5	6	8	9	1
			6	0	5	0	5	0
			D	D	D	D	D	D
			3	3	3	4	6	6
			O	O	6	8	O	O
			A	B	B	B	B	A
22	S168-054	Collector Box		x	x			
22	S168-081	Collector Box				x	x	
22	S168-064	Collector Box						x
22	S168-066	Collector Box	x					
23	168-002	Flue Baffle		2	2	3	3	2
24	106-131	Top Fill		x	x			
24	106-135	Top Fill				x	x	
24	106-136	Top Fill						x
25	168-013	Flue Baffle	1					2
27	171-216	Heat Exchanger Assembly		x	x			
27	171-217	Heat Exchanger Assembly				x	x	
27	171-195	Heat Exchanger Assembly						x
27	171-200	Heat Exchanger Assembly	x					
28	S134-136	Internal Coil Partition	x	x	x	x	x	x
29	520-227	Coil Partition Assembly	x	x	x	x	x	x
30	140-133	Coil Support	x	x	x	x	x	x
31	127-235	Blower Base Assembly	x	x	x			
31	127-236	Blower Base Assembly				x	x	
31	127-237	Blower Base Assembly						x

Date: 05-03-94  
Supersedes:

FUNCTIONAL COMPONENTS



MODELS DCH080, DCH095 Shown

Date: 05-03-94  
Supersedes:

2110-868  
Page: 4

FUNCTIONAL COMPONENTS

Dwg. No.	Part No.	Description	D	D	D	D	D	D
			C	C	C	C	C	C
			H	H	H	H	H	H
			0	0	0	0	0	0
			3	5	6	8	9	1
			6	0	5	0	5	0
			D	D	D	D	D	D
			3	3	3	4	6	6
			0	0	6	8	0	0
			A	B	B	B	B	A
1	5055-002	Coil Assembly		X				
1	5055-003	Coil Assembly	X		X		X	X
1	5055-004	Coil Assembly				X		
2	6095-005	2" Street Elbow--PVC	X	X	X	X	X	
2	6095-008	2" Street Elbow--ABS						X
3	8406-068	Pressure Switch		X				
3	8406-069	Pressure Switch			X			
3	8406-070	Pressure Switch	X			X	X	X
4	8402-064	Limit Control				X	X	
4	8402-067	Limit Control			X			X
4	8402-068	Limit Control		X				
4	8402-079	Limit Control	X					
5	6095-006	High Temperature Elbow	X	X	X	X	X	X
6	7002-022	2.375" Bird Screen	2	2	2			
6	7002-023	2.875" Bird Screen	2	2	2			
6	7002-024	3.500" Bird Screen	2	2	2	2	2	2
7	9010-069	Burner	X					
7	9010-070	Burner		X	X			
7	9010-071	Burner				X	X	
7	9010-072	Burner						X
8	8620-084	Induced Draft Blower Assembly	X	X	X	X	X	X
9	8553-003	Ignitor	X	X	X	X	X	X
10	5651-083	Gas Valve	X	X	X			
10	5651-089	Gas Valve				X	X	
10	5651-106	Gas Valve						X
11	5451-017	Manifold Grommet	X	X	X	X	X	X
12	8554-016	Sensor		X	X	X	X	X
12	8554-018	Sensor	X					
13	112X148	Right Manifold Bracket	X	X	X	X	X	X
14	5818-028	Gas Manifold		X	X			
14	5818-029	Gas Manifold				X	X	
14	5818-030	Gas Manifold						X
14	5818-031	Gas Manifold	X					
15	9010-010	Gas Orifice #38						X
15	9010-043	Gas Orifice #36			X			
15	9010-052	Gas Orifice 2.70 MM					X	
15	9010-053	Gas Orifice #33	X					
15	9010-054	Gas Orifice 3/32"		X				
15	9010-057	Gas Orifice 2.45MM				X		
16	112Y148	Left Manifold Bracket	X	X	X	X	X	X
17	6093-007	No-Hub Connector	X	X	X	X	X	X
18	8611-073	Single Terminal Bushing	X	X	X	X	X	X
19	8611-074	Double Terminal Bushing	X	X	X	X	X	X

Date: 02-24-95  
Supersedes: 05-03-94

2110-868

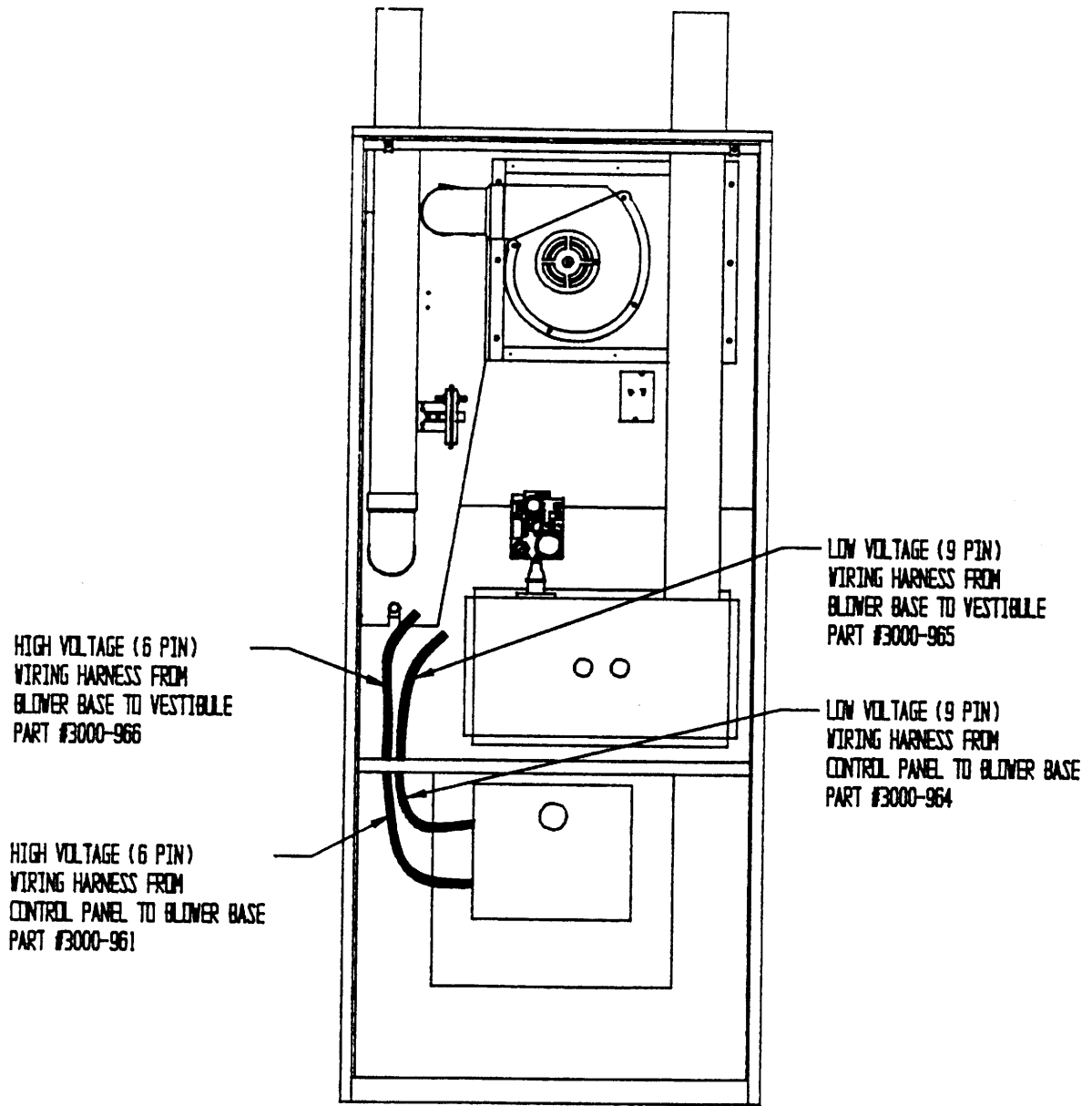
FUNCTIONAL COMPONENTS

Dwg. No.	Part No.	Description	D	D	D	D	D	D
			C	C	C	C	C	C
			H	H	H	H	H	H
			0	0	0	0	0	0
			3	5	6	8	9	1
			6	0	5	0	5	0
			D	D	D	D	D	D
			3	3	3	4	6	6
			0	0	6	8	0	0
			A	B	B	B	B	A
20	8406-047	Door Switch	X	X	X	X	X	X
21	8407-039	Transformer	X	X	X	X	X	X
22	5651-124	Furnace Control	X	X	X	X	X	X
23	7003-004	16 x 25 Permanent Filter	X	X	X	X	X	X
24	5452-005-6000	Vinyl Drain Hose	X	X	X	X	X	X
25	8200-034	Motor Mount Arm	3	3	3	3		
25	8200-035	Motor Mount Arm					3	3
26	900-173	Blower Assembly			X			
26	900-174	Blower Assembly	X	X				
26	900-175	Blower Assembly				X		
26	900-176	Blower Assembly					X	
26	900-177	Blower Assembly						X
27	8200-033	Motor Mount Band	X	X	X	X	X	X
28	8105-041	1/3 HP Motor 115V			X			
28	8105-038	1/3 HP Motor 115V	X	X				
28	8106-033	1/2 HP Motor 115V				X		
28	8107-007	3/4 HP Motor 115V					X	
28	8107-008	3/4 HP Motor 115V						X
29	5152-005	Blower Wheel	X	X				
29	5152-013	Blower Wheel			X			
29	5152-053	Blower Wheel					X	
29	5152-059	Blower Wheel				X		
29	5152-072	Blower Wheel						X
29	5152-073	Blower Wheel						X
30	8552-002	Capacitor 5 MFD 370V	X	X	X			
30	8552-004	Capacitor 7 MFD 370V				X		
30	8552-026	Capacitor 15 MFD 370V					X	X
31	151-082	Blower Housing				X		
31	151-085	Blower Housing	X	X	X			
31	151-102	Blower Housing						X
31	151-103	Blower Housing						X
31	5152-050	Blower Housing (1)					X	
32	144-127	Diffuser	X	X	X			
32	144-129	Diffuser				X		
32	144-167	Diffuser						2
32	(1) N/A	Diffuser					X	
33	8611-075	Sight Glass	3	3	3	3	3	3
33	112-158	Blower Assembly Bracket						2

(1) Drawing No. 31 part No. 5152-050 includes housing, diffuser, and wheel part No. 5152-053.

Date: 05-02-95  
Supersedes: 03-29-95

WIRE HARNESS



MODRLS DC11080, DC1095 Shown

Date: 02-24-95  
Supersedes: 05-03-94

2110-868  
Page: 7