

REPLACEMENT PARTS MANUAL

UPFLOW GAS FURNACE

MODELS: DCH036D30C; DCH050D30C; DCH065D36C;
DCH080D48C; DCH095D60C; DCH110D60C

Manual 2110-868

Revision E

Date 012-15-95

Supersedes 05-02-95

* GENERAL NOTES *

*Revised and/or additional pages may be issued from time to time.
*A complete and current manual consists of pages dated as shown in the following index.

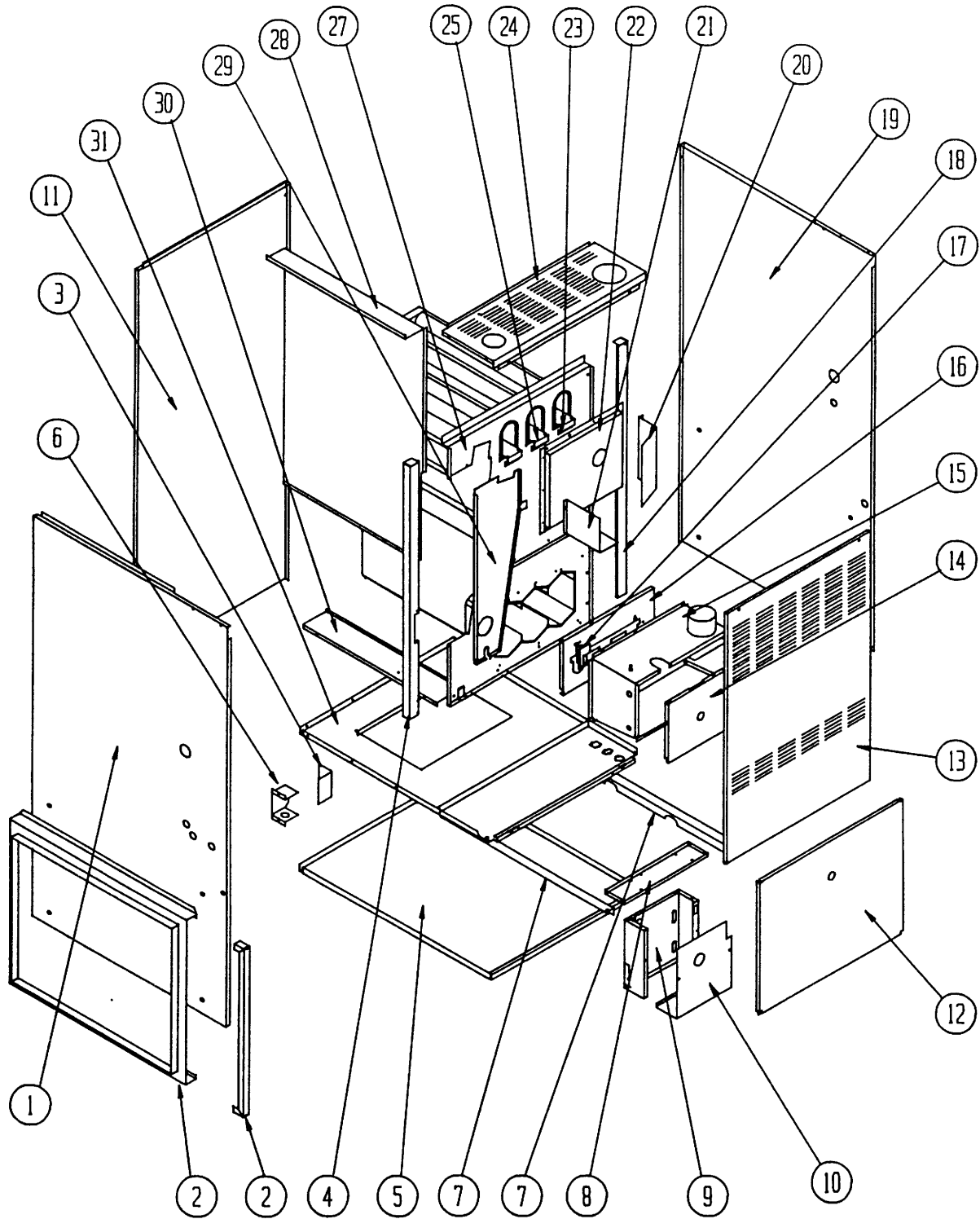
** INDEX **

<u>Page</u>	<u>Description</u>	<u>Page</u>	<u>Date</u>	<u>Supersedes</u>
	Cabinet Components--Exploded View	1	05-03-94	
"	" --Usage List	2	12-15-95	08-15-94
"	" --Usage List	3	12-15-95	05-03-94
	Functional Components--Exploded View	4	05-03-94	
"	" --Usage List	5	12-15-95	02-24-95
"	" -Usage List	6	12-15-95	05-02-95
	Wire Harness	7	02-24-95	

*** IMPORTANT ***

Contact the installing and/or local Bard distributor for all parts requirements. Make sure you have the complete model and serial number available from the unit rating plate.

CABINET COMPONENTS



MODELS DCH080, DCH095 Shown

Date: 5-03-94
Supersedes:

2110-868
Page: 1

CABINET COMPONENTS

Dwg. No.	Part No.	Description	D	D	D	D	D	D
			C	C	C	C	C	C
			H	H	H	H	H	H
			0	0	0	0	0	1
			3	5	6	8	9	1
			6	0	5	0	5	0
			D	D	D	D	D	D
			3	3	3	4	6	6
			0	0	6	8	0	0
			C	C	C	C	C	C
1	500-231	Left Side Assembly	X	X	X	X	X	X
2	FR21	Filter Rack (1)	X	X	X	X	X	X
3	132-107	Junction Box Door	X	X	X	X	X	X
4	104-889	Left Side Angle	X	X	X	X	X	X
5	126-200	Lower Base	X	X	X			
5	126-205	Lower Base				X	X	
5	126-206	Lower Base						X
6	116-130	Junction Box	X	X	X	X	X	X
7	104-857	Blower Angle	X	X	X		X	
7	104-863	Blower Angle				X		
7	104-894	Blower Angle						X
8	116-125	Control Panel Bracket	X	X	X			
8	116-132	Control Panel Bracket				X		
8	116-133	Control Panel Bracket					X	
8	116-152	Control Panel Bracket						X
9	116-126	Control Panel	X	X	X	X	X	X
10	132-105	Control Panel Cover	X	X	X	X	X	X
11	508-090	Back Assembly	X	X	X			
11	508-093	Back Assembly				X	X	
11	508-094	Back Assembly						X
12	S152-210	Blower Door	X	X	X			
12	S152-214	Blower Door				X	X	
12	S152-215	Blower Door						X
13	S152-209	Vestibule Door	X	X	X			
13	S152-216	Vestibule Door				X	X	
13	S152-217	Vestibule Door						X
14	S168-052	Burner Box Cover	X	X	X			
14	S168-058	Burner Box Cover				X	X	
14	S168-063	Burner Box Cover						X
15	913-0066	Burner Box	X	X	X			
15	913-0067	Burner Box				X	X	
15	913-0070	Burner Box						X
16	168-050	Secondary Air Restrictor		X	X			
16	168-055	Secondary Air Restrictor				X	X	
16	168-060	Secondary Air Restrictor						X
16	168-068	Secondary Air Restrictor	X					
17	112-147	Ignitor Bracket	X	X	X	X	X	X
18	104-903	Right Side Angle	X	X	X	X	X	X
19	500-230	Right Side Assembly	X	X	X	X	X	X
20	134-121	Intake Air Shield	X	X	X			
21	134-120	Vent Air Shield	X	X	X	X	X	X

(1) Includes 16 x 25 permanent filter.

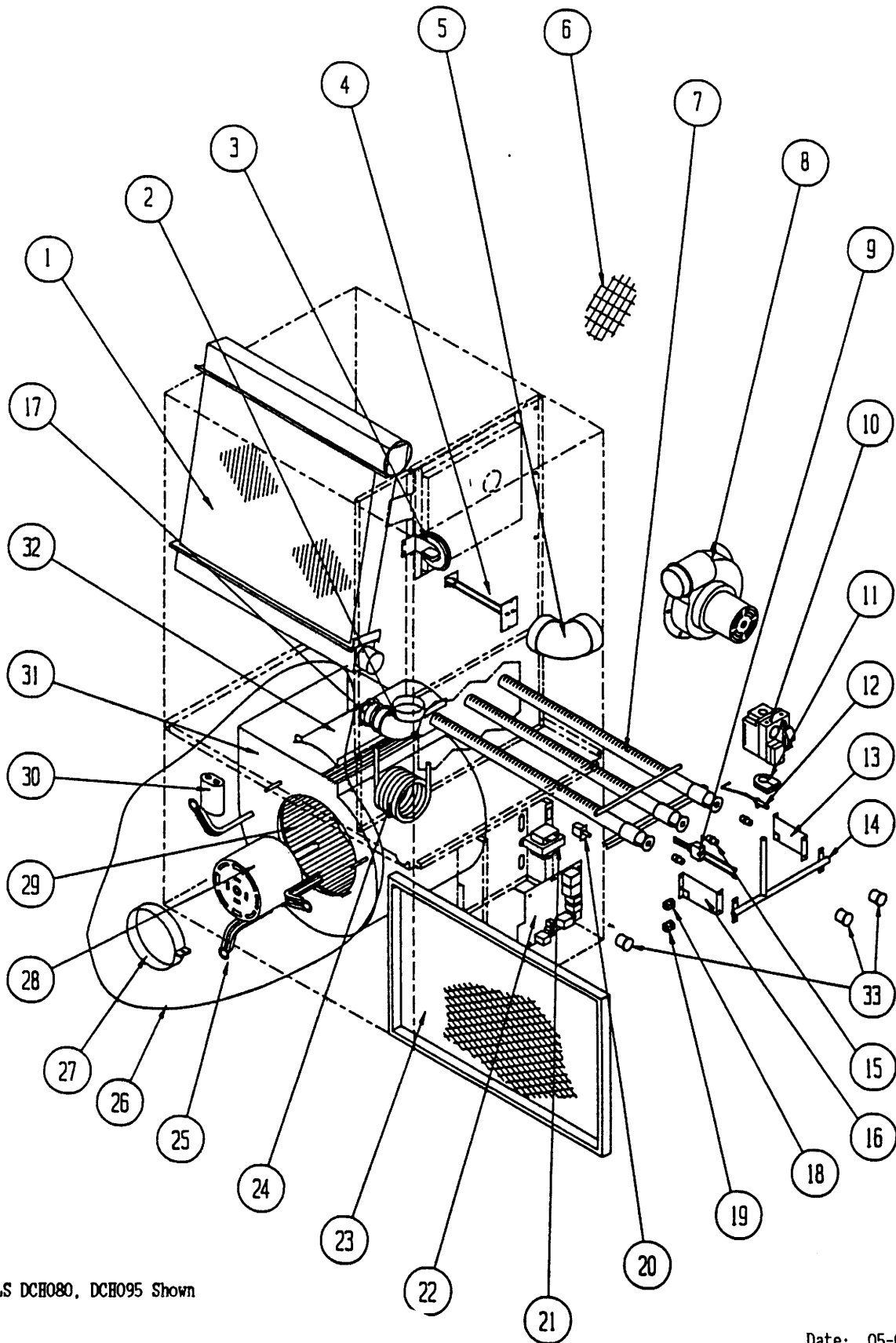
Date: 12-15-95
Supersedes: 08-15-94

CABINET COMPONENTS

Dwg. No.	Part No.	Description	D	D	D	D	D	D
			C	C	C	C	C	C
			H	H	H	H	H	H
			0	0	0	0	0	0
			3	5	6	8	9	1
			6	0	5	0	5	0
			D	D	D	D	D	D
			3	3	3	4	6	6
			0	0	6	8	0	0
			C	C	C	C	C	C
22	S168-054	Collector Box		x	x			
22	S168-081	Collector Box				x	x	
22	S168-064	Collector Box						x
22	S168-066	Collector Box	x					
23	168-002	Flue Baffle		2	2	3	3	2
24	106-131	Top Fill		x	x			
24	106-135	Top Fill				x	x	
24	106-136	Top Fill						x
25	168-013	Flue Baffle	1					2
27	171-216	Heat Exchanger Assembly		x	x			
27	171-217	Heat Exchanger Assembly				x	x	
27	171-195	Heat Exchanger Assembly						x
27	171-200	Heat Exchanger Assembly	x					
28	S134-136	Internal Coil Partition	x	x	x	x	x	x
29	520-227	Coil Partition Assembly	x	x	x	x	x	x
30	140-133	Coil Support	x	x	x	x	x	x
31	127-235	Blower Base Assembly	x	x	x			
31	127-236	Blower Base Assembly				x	x	
31	127-237	Blower Base Assembly						x

Date: 12-15-95
Supersedes: 05-03-94

FUNCTIONAL COMPONENTS



MODELS DCH080, DCH095 Shown

Date: 05-03-94
Supersedes:

2110-868
Page: 4

FUNCTIONAL COMPONENTS

Dwg. No.	Part No.	Description	D	D	D	D	D	D
			C	C	C	C	C	C
			H	H	H	H	H	H
			O	O	O	O	O	O
			3	5	6	8	9	1
			6	0	5	0	5	0
			D	D	D	D	D	D
			3	3	3	4	6	6
			0	0	6	8	0	0
			C	C	C	C	C	C
1	5055-002	Coil Assembly		X				
1	5055-003	Coil Assembly	X		X		X	X
1	5055-004	Coil Assembly				X		
2	6095-005	2" Street Elbow--PVC	X	X	X	X	X	
2	6095-008	2" Street Elbow--ABS						X
3	8406-068	Pressure Switch		X				
3	8406-069	Pressure Switch			X			
3	8406-070	Pressure Switch	X			X	X	X
4	8402-064	Limit Control				X	X	
4	8402-067	Limit Control			X			X
4	8402-068	Limit Control		X				
4	8402-079	Limit Control	X					
5	6095-006	High Temperature Elbow	X	X	X	X	X	X
6	7002-022	2.375" Bird Screen	2	2	2			
6	7002-023	2.875" Bird Screen	2	2	2			
6	7002-024	3.500" Bird Screen	2	2	2	2	2	2
7	9010-069	Burner	X					
7	9010-070	Burner		X	X			
7	9010-071	Burner				X	X	
7	9010-072	Burner						X
8	8620-084	Induced Draft Blower Assembly	X	X	X	X	X	X
9	8553-003	Ignitor	X	X	X	X	X	X
10	5651-083	Gas Valve	X	X	X			
10	5651-089	Gas Valve				X	X	
10	5651-106	Gas Valve						X
11	5451-017	Manifold Grommet	X	X	X	X	X	X
12	8554-016	Sensor		X	X	X	X	X
12	8554-018	Sensor	X					
13	112X148	Right Manifold Bracket	X	X	X	X	X	X
14	5818-028	Gas Manifold		X	X			
14	5818-029	Gas Manifold				X	X	
14	5818-030	Gas Manifold						X
14	5818-031	Gas Manifold	X					
15	9010-010	Gas Orifice #38						X
15	9010-043	Gas Orifice #36			X			
15	9010-052	Gas Orifice 2.70 MM					X	
15	9010-053	Gas Orifice #33	X					
15	9010-054	Gas Orifice 3/32"		X				
15	9010-057	Gas Orifice 2.45MM				X		
16	112Y148	Left Manifold Bracket	X	X	X	X	X	X
17	6093-007	No-Hub Connector	X	X	X	X	X	X
18	8611-073	Single Terminal Bushing	X	X	X	X	X	X
19	8611-074	Double Terminal Bushing	X	X	X	X	X	X

Date: 12-15-95
Supersedes: 02-24-95

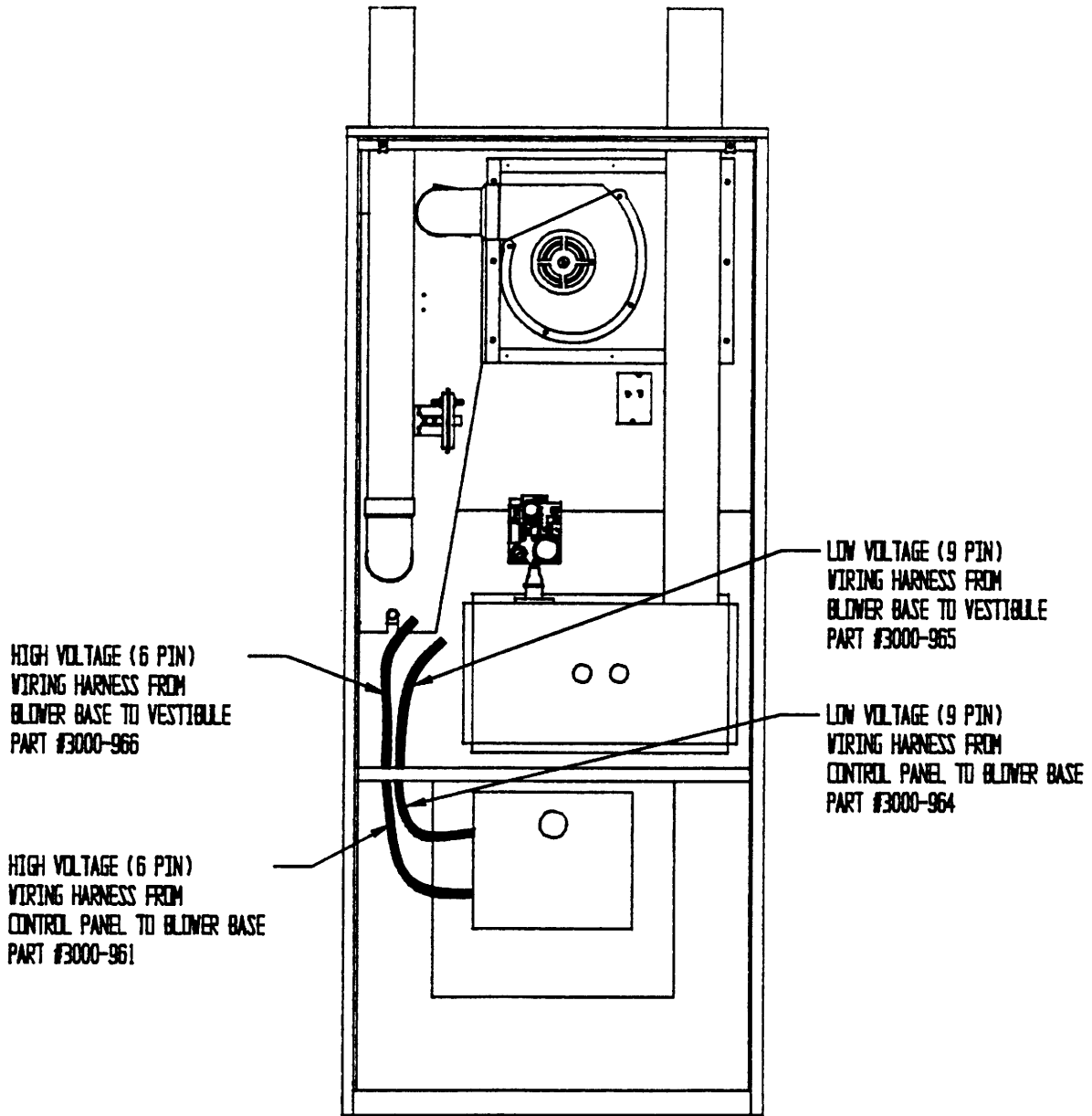
FUNCTIONAL COMPONENTS

Dwg. No.	Part No.	Description	D	D	D	D	D	D
			C	C	C	C	C	C
			H	H	H	H	H	H
			O	O	O	O	O	O
			3	5	6	8	9	1
			6	0	5	0	5	0
			D	D	D	D	D	D
			3	3	3	4	6	6
			0	0	6	8	0	0
			C	C	C	C	C	C
20	8406-047	Door Switch	X	X	X	X	X	X
21	8407-045	Transformer	X	X	X	X	X	X
22	5651-135	Furnace Control	X	X	X	X	X	X
23	7003-004	16 x 25 Permanent Filter	X	X	X	X	X	X
24	5452-005-6000	Vinyl Drain Hose	X	X	X	X	X	X
25	8200-034	Motor Mount Arm	3	3	3	3		
25	8200-035	Motor Mount Arm					3	3
26	900-173	Blower Assembly			X			
26	900-174	Blower Assembly	X	X				
26	900-175	Blower Assembly				X		
26	900-176	Blower Assembly					X	
26	900-177	Blower Assembly						X
27	8200-033	Motor Mount Band	X	X	X	X	X	X
28	8105-041	1/3 HP Motor 115V			X			
28	8105-038	1/3 HP Motor 115V	X	X				
28	8106-033	1/2 HP Motor 115V				X		
28	8107-007	3/4 HP Motor 115V					X	
28	8107-008	3/4 HP Motor 115V						X
29	5152-005	Blower Wheel	X	X				
29	5152-013	Blower Wheel			X			
29	5152-053	Blower Wheel					X	
29	5152-059	Blower Wheel				X		
29	5152-072	Blower Wheel						X
29	5152-073	Blower Wheel						X
30	8552-002	Capacitor 5 MFD 370V	X	X	X			
30	8552-004	Capacitor 7 MFD 370V				X		
30	8552-026	Capacitor 15 MFD 370V					X	X
31	151-082	Blower Housing				X		
31	151-085	Blower Housing	X	X	X			
31	151-102	Blower Housing						X
31	151-103	Blower Housing						X
31	5152-050	Blower Housing (1)					X	
32	144-127	Diffuser	X	X	X			
32	144-129	Diffuser				X		
32	144-167	Diffuser						2
32	(1) N/A	Diffuser					X	
33	8611-075	Sight Glass	3	3	3	3	3	3
33	112-158	Blower Assembly Bracket						2

(1) Drawing No. 31 part No. 5152-050 includes housing, diffuser, and wheel part No. 5152-053.

Date: 12-15-95
Supersedes: 05-02-95

WIRE HARNESS



MODELS DCH080, DCH095 Shown

Date: 02-24-95
Supersedes: 05-03-94

2110-868
Page: 7