

---

# Replacement Parts Manual

# TSF-80 Downflow/Horizontal Gas Furnace

**Models: TDH042, TDH063,  
TDH084, TDH105,  
TDH126**

---

## General Notes

- 9 Revised and/or additional pages may be issued from time to time,
- 9 A complete and current manual consists of pages shown in the following contents section.

## Important

- 9 Contact the installing and/or local Bard distributor for all parts requirements. Make sure you have the complete model and serial number available from the unit rating plates.

## Contents

Description	Page
Cabinet Components	
• Exploded View .....	1
• Usage List .....	2
• Usage List .....	3
• Blank Page .....	4
Functional Components	
• Exploded View .....	5
• Usage List .....	6
• Usage List .....	7
Wire Components	
• Usage List .....	8
• Exploded View .....	8

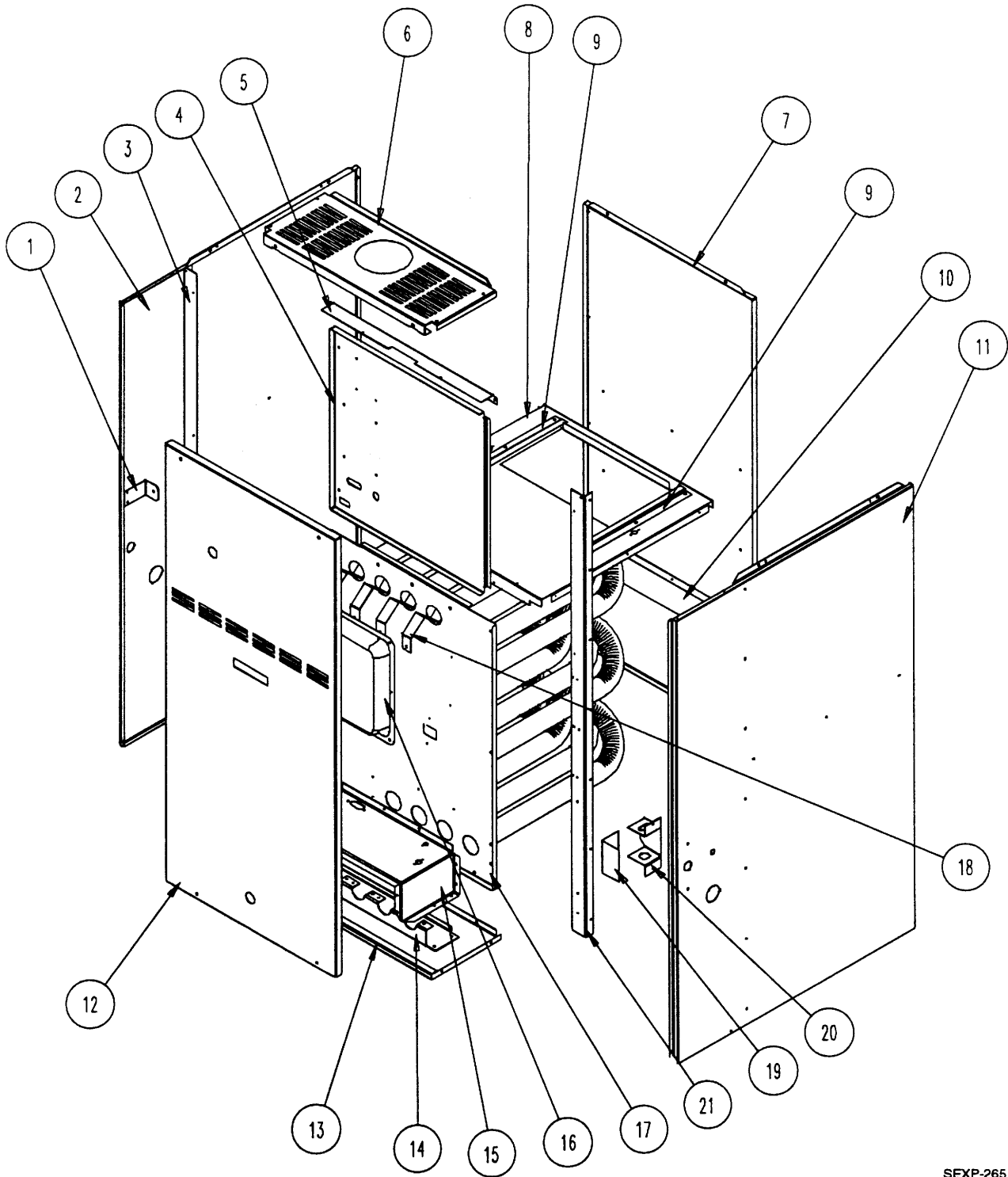


**BARD MANUFACTURING COMPANY**  
Bryan, Ohio 43506

Since 1914...*Moving* ahead, just as planned.

Manual: 211 O-874  
Rev.  
Date: 07-18-97

# Cabinet Components



SEXP-265

# Cabinet Components

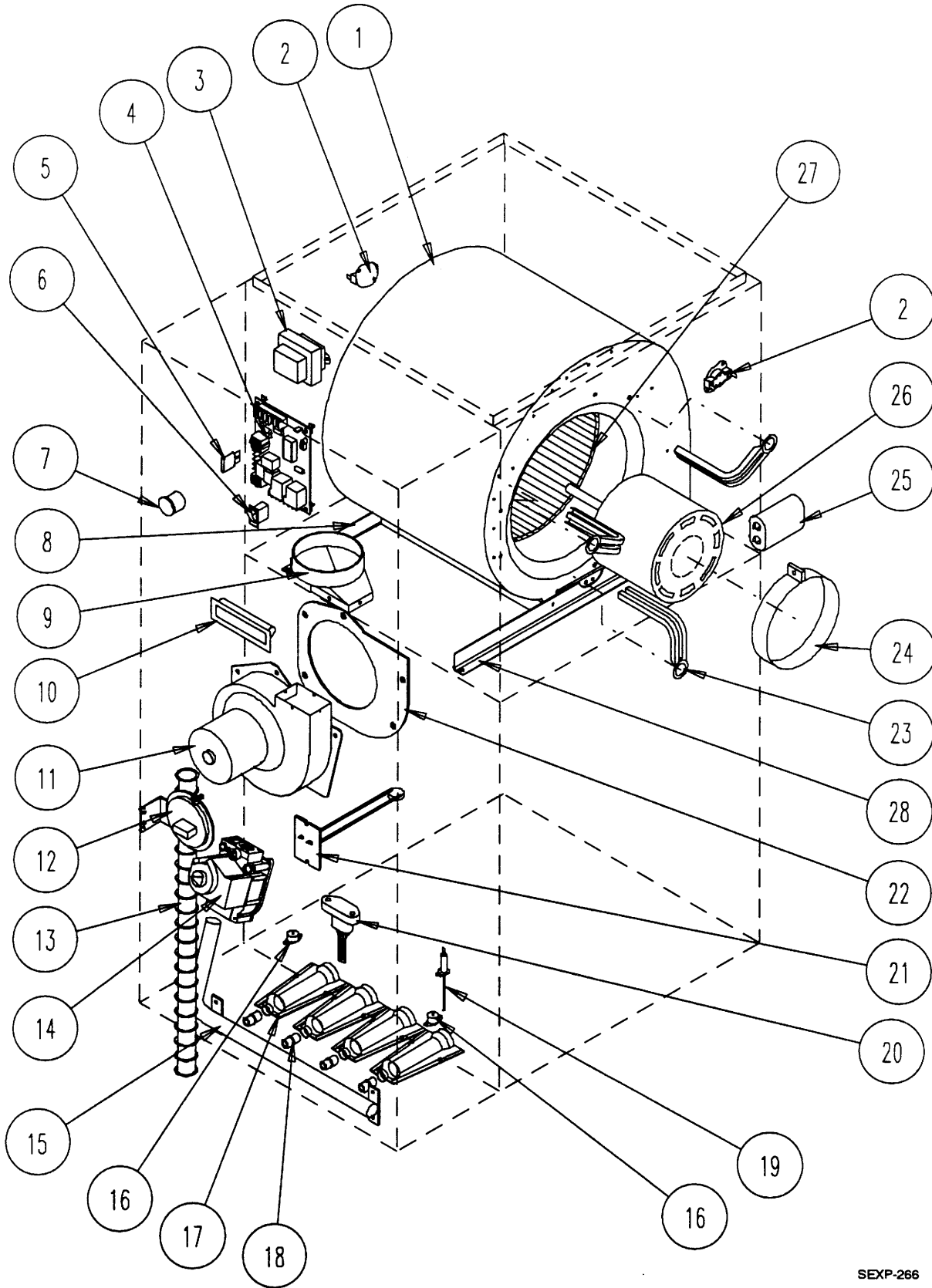
Drawing No.	Part No.	Description	TDH042	TDH063	TDH084	TDH105	TDH126
1	141-243	Wire Channel Support	X	X	X	X	X
2	5101-335-X	Left Side Assembly	X	X	X	X	X
3	105Y993	Left Side Angle	X	X	X	X	X
4	5153-274	Blower Door Assembly	X				
4	5153-275	Blower Door Assembly		X			
4	5153-276	Blower Door Assembly			X		
4	5153-277	Blower Door Assembly				X	
4	5153-278	Blower Door Assembly					X
5	105-997	Blower Door Angle	X				
5	105-998	Blower Door Angle		X			
5	105-999	Blower Door Angle			X		
5	105-1000	Blower Door Angle				X	
5	105-1001	Blower Door Angle					X
6	5107-197-X	Top Fill	X				
6	5107-198-X	Top Fill		X			
6	5107-199-X	Top Fill			X		
6	5107-200-X	Top Fill				X	
6	5107-201-X	Top Fill					X
7	5109-134-X	Back Assembly	X				
7	5109-135-X	Back Assembly		X			
7	5109-136-X	Back Assembly			X		
7	5109-137-X	Back Assembly				X	
7	5109-138-X	Back Assembly					X
8	5127-270	Blower Base Assembly	X				
8	5127-271	Blower Base Assembly		X			
8	5127-272	Blower Base Assembly			X		
8	5127-273	Blower Base Assembly				X	
8	5127-274	Blower Base Assembly					X
9	102-412	Blower Base Offset	X	X	X	X	X
10	135-158	Air Baffle	X				
10	135-159	Air Baffle		X			
10	135-160	Air Baffle			X		
10	135-161	Air Baffle				X	
10	135-162	Air Baffle					X
11	5101-336-X	Right Side Assembly	X	X	X	X	X
12	5153-279-X	Vestibule Door Assembly	X				
12	5153-280-X	Vestibule Door Assembly		X			
12	5153-281-X	Vestibule Door Assembly			X		
12	5153-282-X	Vestibule Door Assembly				X	
12	5153-283-X	Vestibule Door Assembly					X
13	107-189	Bottom Fill	X				
13	107-190	Bottom Fill		X			
13	107-191	Bottom Fill			X		
13	107-192	Bottom Fill				X	
13	107-193	Bottom Fill					X
14	162-033	Burner Bracket	X				
14	162-035	Burner Bracket		X			
14	162-031	Burner Bracket			X		
14	162-037	Burner Bracket				X	
14	162-039	Burner Bracket					X

# Cabinet Components

Drawing No.	Part No.	Description	TDH042	TDH063	TDH084	TDH105	TDH126
15	162-034	Burner Box	X				
15	162-036	Burner Box		X			
15	162-032	Burner Box			X		
15	162-038	Burner Box				X	
15	162-040	Burner Box					X
16	S168-113	Collector Box Assembly	X				
16	S168-114	Collector Box Assembly		X			
16	S168-115	Collector Box Assembly			X		
16	S168-116	Collector Box Assembly				X	
16	S168-117	Collector Box Assembly					X
17	S170-235	Heat Exchanger Assembly	X				
17	S170-236	Heat Exchanger Assembly		X			
17	S170-237	Heat Exchanger Assembly			X		
17	S170-238	Heat Exchanger Assembly				X	
17	S170-239	Heat Exchanger Assembly					X
18	7090-012	Flue Baffle	2	3	4	5	6
19	132-107	Junction Box Cover	X	X	X	X	X
20	117-194	Junction Box	X	X	X	X	X
21	105X993	Right Side Angle	X	X	X	X	X
NS	5452-008-1200	Pressure Switch Tubing	X	X	X	X	X

NS Not Shown

# Functional Components



SEXP-266

# Functional Components

Drawing No.	Part No.	Description	TDH042	TDH063	TDH084	TDH105	TDH126
1	151-109	Blower Housing Assembly	X				
1	151-085	Blower Housing Assembly		X			
1	151-082	Blower Housing Assembly			X		
1	5152-050 ②	Blower Housing Assembly				X	X
2	8402-044	Upper Limit	2	2	2	2	2
3	8407-045	Transformer 120/24V 40VA	X	X	X	X	X
4	5651-144	Integrated Furnace Control	X	X	X	X	X
5	8614-045	3 Amp Fuse	X	X	X	X	X
6	8406-076	Door Switch	X	X	X	X	X
7	8611-075	Clear Sight Glass	X	X	X	X	X
8	104Y951	Left Blower Angle	X	X	X	X	X
9	5809-013	3" Inducer Transition	X				
9	5809-014	4" Inducer Transition		X	X	X	X
10	1171-025	Door Pull	X	X	X	X	X
11	8109-010	Induced Draft Blower	X	X	X	X	X
12	8406-089	Pressure Switch .25" Setpoint ①	X				
12	8406-090	Pressure Switch .30" Setpoint ①		X			
12	8406-091	Pressure Switch .35" Setpoint ①			X	X	X
13	8611-089-1400	Plastic Wire Channel	X	X	X	X	X
14	5651-136	Gas Valve	X	X	X	X	X
15	5818-033	Gas Manifold	X				
15	5818-034	Gas Manifold		X			
15	5818-035	Gas Manifold			X		
15	5818-036	Gas Manifold				X	
15	5818-037	Gas Manifold					X
16	8406-036	Flame Rollout Switch	2	2		2	
16	8406-037	Flame Rollout Switch			2		2
17	9010-074	Inshot Burner	2	3	4	5	6
18	9010-076	Gas Orifice 2.25mm Drill	2	3	4	5	6
19	8554-019	Flame Sensor	X	X	X	X	X
20	8620-133	Hot Surface Ignitor	X	X	X	X	X
21	8402-107	Primary Limit Control	X	X			
21	8402-102	Primary Limit Control			X	X	
21	8402-108	Primary Limit Control					X
22	1921-043 ③	Gasket Set	X	X			
22	1921-044 ③	Gasket Set			X		
22	1921-045 ③	Gasket Set				X	
22	1921-046 ③	Gasket Set					X

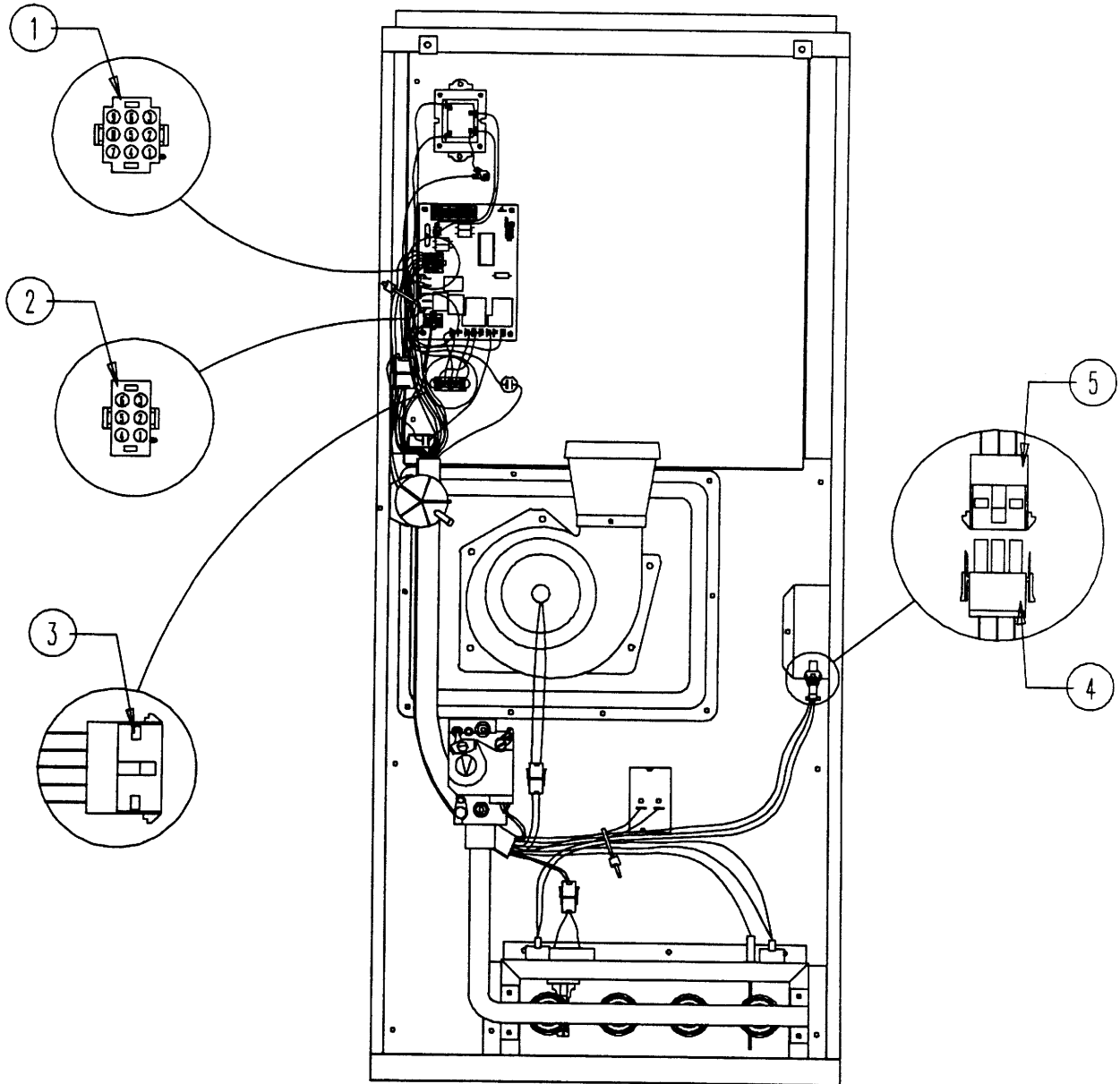
- ① Setpoints shown are nominal cutout (open on pressure fall) ratings and have  $\pm .05$  tolerance.
- ② Includes: Wheel P/N 5152-053, Housing and diffuser
- ③ Includes gaskets for primary limit, collector box, and induced draft blower

# Functional Components

Drawing No.	Part No.	Description	TDH042	TDH063	TDH084	TDH105	TDH126
23	8200-036	Motor Mount Arm	3	3			
23	8200-034	Motor Mount Arm			3		
23	8200-035	Motor Mount Arm				3	3
24	8200-033	Motor Mount Band	X	X	X	X	X
25	8552-002	Capacitor 5/3/70	X	X			
25	8552-004	Capacitor 7.5/3/70			X		
25	8552-026	Capacitor 15/3/70				X	X
26	8105-038	Motor 1/3 H.P.	X				
26	8105-041	Motor 1/3 H.P.		X			
26	8105-033 <i>8106-033</i>	Motor 1/2 H.P.			X		
26	8107-007	Motor 3/4 H.P.				X	X
27	5152-073	Blower Wheel	X				
27	5152-013	Blower Wheel		X			
27	5152-059	Blower Wheel			X		
27	5152-053	Blower Wheel				X	X
28	104X551	Right Blower Angle	X	X	X	X	X

# Wire Components

Drawing No.	Part No.	Description	TDH042	TDH063	TDH084	TDH105	TDH126
1	3000-1067	Wire Harness	X	X	X	X	X
2	3000-1068	Wire Harness	X	X	X	X	X
3	3000-1069	Wire Harness	X	X	X	X	X
4	3000-1070	Wire Harness	X	X	X	X	X
5	3000-1071	Wire Harness	X	X	X	X	X



SEXP-264