

---

# Replacement Parts Manual

## TSF-80 Upflow Gas Furnace

Models: TU042, TU063, TU084,  
TU105, TU126

---

### General Notes

- Revised and/or additional pages may be issued from time to time.
- A complete and current manual consists of pages shown in the following contents section.

### Important

- Contact the installing and/or local Bard distributor for all parts requirements. Make sure you have the complete model and serial number available from the unit rating plates.

### Contents

Description	Page
Cabinet Components	
• Exploded View .....	1
• Usage List .....	2-3
Functional Components	
• Exploded View .....	5
• Usage List .....	6
Wire Components	
• Usage List .....	7
• Exploded View .....	7

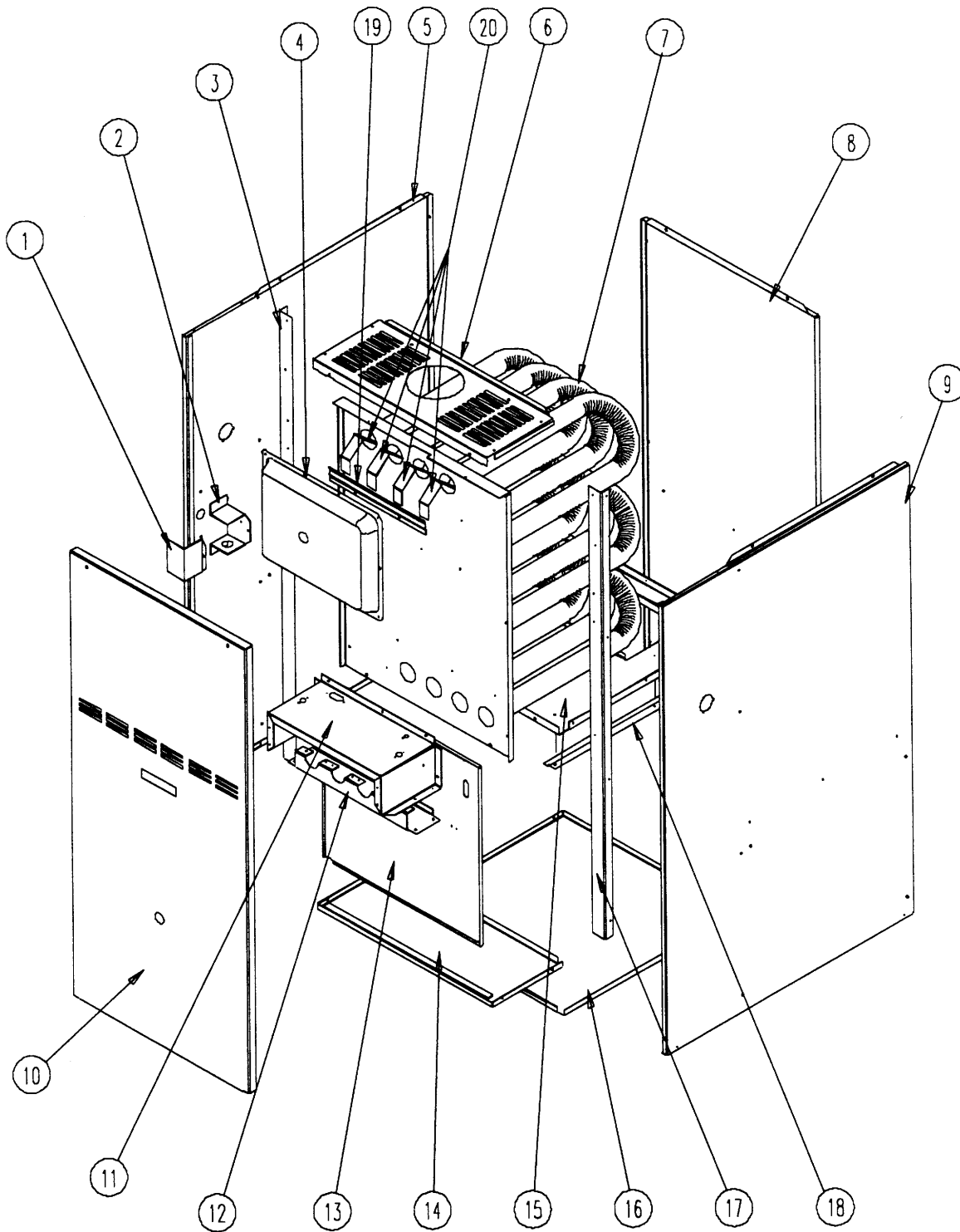


**BARD MANUFACTURING COMPANY**  
Bryan, Ohio 43506

*Since 1914... Moving ahead, just as planned.*

Manual: 211 O-875  
Tab: 2  
Date: 10-14-97

# Cabinet Components



SEXP-276

# Cabinet Components

Drawing No.	Part No.	Description	TU042	TU063	TU084	TU105	TU126
1	132-107	Junction Box Cover	X	X	X	X	X
2	117-174	Junction Box	X	X	X	X	X
3	105Y953	Left Side Angle	X	X	X	X	X
4	S168-113	Collector Box Assembly	X				
4	S168-114	Collector Box Assembly		X			
4	S168-115	Collector Box Assembly			X		
4	S168-116	Collector Box Assembly				X	
4	S168-117	Collector Box Assembly					X
5	S101-343-X	Left Side Assembly	X	X	X	X	X
6	107-202-X	Top Fill	X				
6	107-203-X	Top Fill		X			
6	107-204-X	Top Fill			X		
6	107-205-X	Top Fill				X	
6	107-206-X	Top Fill					X
7	S170-229	Heat Exchanger Assembly	X				
7	S170-230	Heat Exchanger Assembly		X			
7	S170-231	Heat Exchanger Assembly			X		
7	S170-232	Heat Exchanger Assembly				X	
7	S170-233	Heat Exchanger Assembly					X
8	S109-116-X	Back Assembly	X				
8	S109-117-X	Back Assembly		X			
8	S109-118-X	Back Assembly			X		
8	S109-119-X	Back Assembly				X	
8	S109-120-X	Back Assembly					X
9	S101-342-X	Right Side Assembly	X	X	X	X	X
10	S153-294-X	Vestibule Door Assembly	X				
10	S153-295-X	Vestibule Door Assembly		X			
10	S153-296-X	Vestibule Door Assembly			X		
10	S153-297-X	Vestibule Door Assembly				X	
10	S153-298-X	Vestibule Door Assembly					X
11	162-034	Burner Box	X				
11	162-036	Burner Box		X			
11	162-032	Burner Box			X		
11	162-038	Burner Box				X	
11	162-040	Burner Box					X
12	162-033	Burner Bracket	X				
12	162-035	Burner Bracket		X			
12	162-031	Burner Bracket			X		
12	162-037	Burner Bracket				X	
12	162-039	Burner Bracket					X
13	S153-254	Blower Door Assembly	X				
13	S153-256	Blower Door Assembly		X			
13	S153-250	Blower Door Assembly			X		
13	S153-258	Blower Door Assembly				X	
13	S153-260	Blower Door Assembly					X
14	107-207-X	Bottom Fill	X				
14	107-208-X	Bottom Fill		X			
14	107-209-X	Bottom Fill			X		
14	107-210-X	Bottom Fill				X	
14	107-211-X	Bottom Fill					X

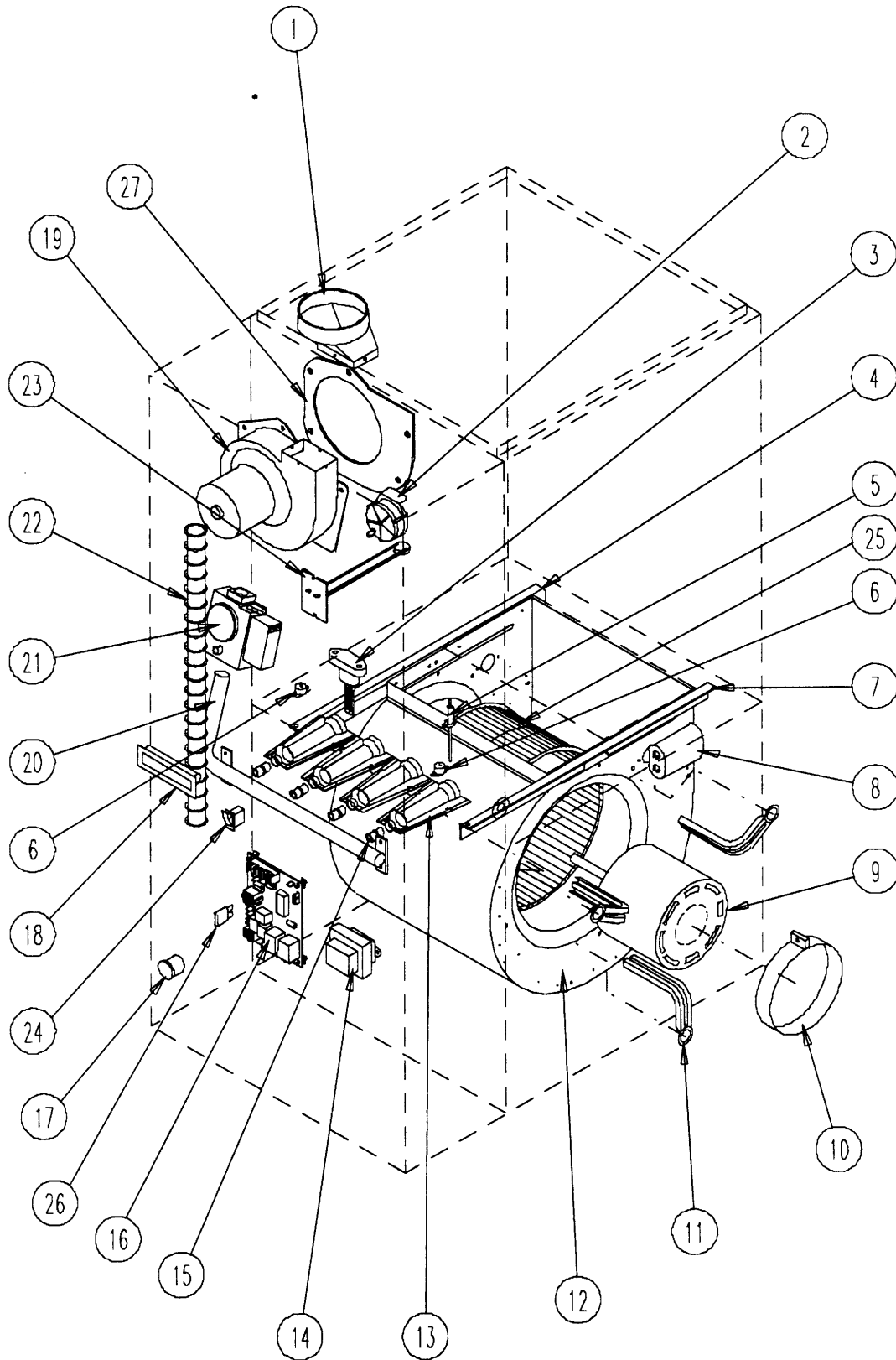
# Cabinet Components

Drawing			TU042	TU063	TU084	TU105	TU126
No.	Part No.	Description					
15	S127-260	Blower Base Assembly	X				
15	S127-261	Blower Base Assembly		X			
15	S127-253	Blower Base Assembly			X		
15	S127-262	Blower Base Assembly				X	
15	S127-263	Blower Base Assembly					X
16	137-332	Return Fill Plate	X				
16	137-333	Return Fill Plate		X			
16	137-334	Return Fill Plate			X		
16	137-335	Return Fill Plate				X	
16	137-336	Return Fill Plate					X
17	105X953	Right Side Angle	X	X	X	X	X
18	103-412	Blower Base Offset	X	X	X	X	X
19	103-419	Flue Baffle Clamp	X				
19	103-420	Flue Baffle Clamp		X			
19	103-421	Flue Baffle Clamp			X		
19	103-422	Flue Baffle Clamp				X	
19	103-423	Flue Baffle Clamp					X
20	7090-012	Flue Baffle	2	3	4	5	6

---

This page has been  
left blank intentionally.

# Functional Components



SEXP-277

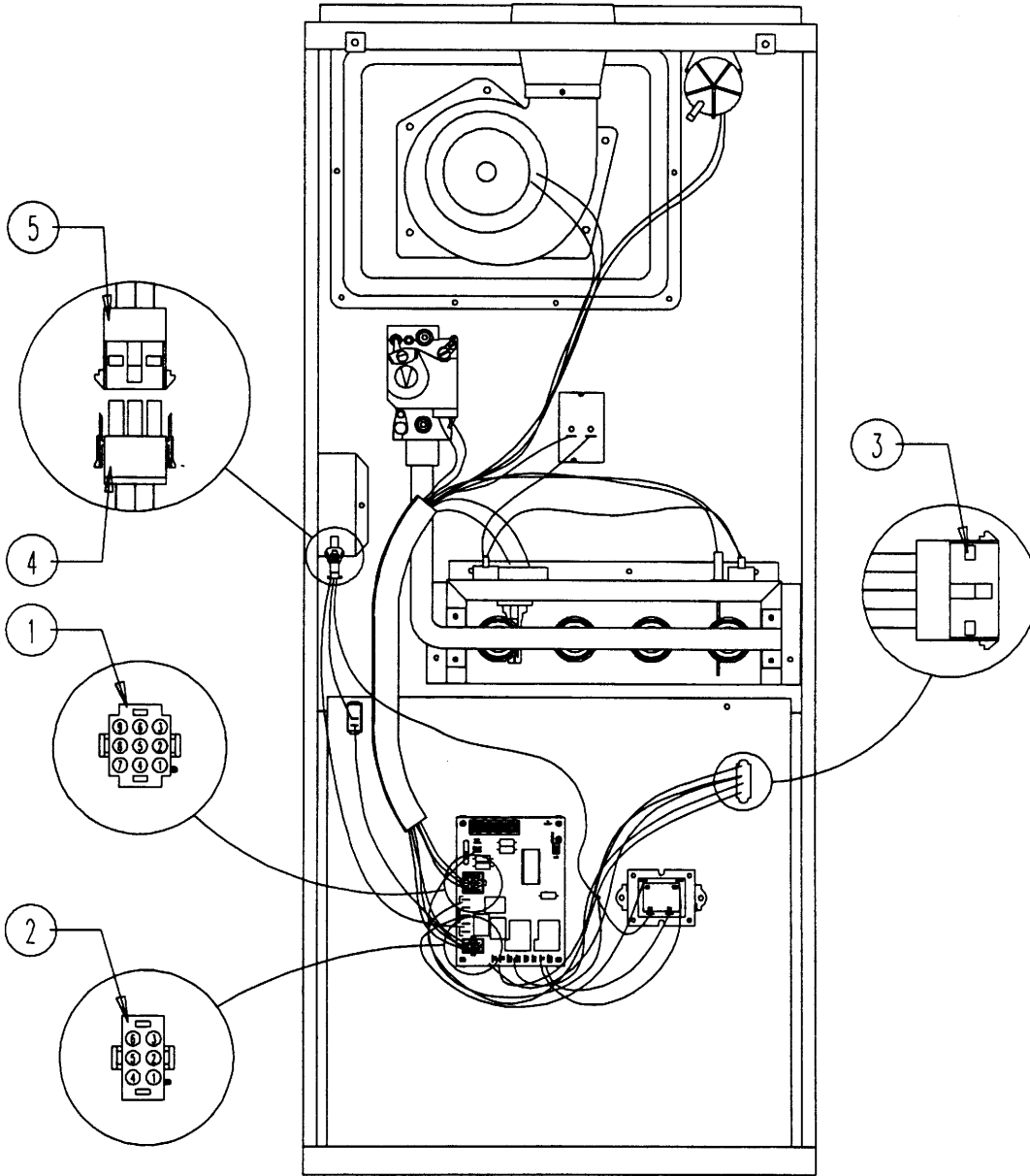
# Functional Components

Drawing No.	Part Number	Description	TU042	TU063	TU084	TU105	TU126
1	5809-013	3" Inducer Transition	X				
1	5809-014	4" Inducer Transition		X	X	X	X
2	8406-089	Pressure Switch .25" Setpoint ①	X				
2	8406-090	Pressure Switch .30" Setpoint ①		X			
2	8406-091	Pressure Switch .35" Setpoint ①			X	X	X
3	8620-133	Hot Surface Ignitor	X	X	X	X	X
4	104Y951	Left Blower Angle	X	X	X	X	X
5	8554-019	Flame Sensor	X	X	X	X	X
6	8406-036	Flame Rollout Switch	2	2	2	2	2
7	104X951	Right Blower Angle	X	X	X	X	X
8	8552-002	Capacitor 5/370	X	X			
8	8552-004	Capacitor 7.5/370			X		
8	8552-026	Capacitor 15/370				X	X
9	8105-038	Motor 1/3 H.P.	X				
9	8105-041	Motor 1/3 H.P.		X			
9	8106-033	Motor 1/2 H.P.			X		
9	8107-007	Motor 3/4 H.P.				X	X
10	8200-033	Motor Mount Band	X	X	X	X	X
11	8200-036	Motor Mount Arm	3	3			
11	8200-034	Motor Mount Arm			3		
11	8200-035	Motor Mount Arm				3	3
12	151-109	Blower Housing Assembly	X				
12	151-085	Blower Housing Assembly		X			
12	151-082	Blower Housing Assembly			X		
12	5152-050	Blower Housing Assembly				X	X
13	9010-074	Inshot Burner	2	3	4	5	6
14	8407-045	Transformer 120/24V 40VA	X	X	X	X	X
15	9010-076	Gas Orifice 2.25 mm Drill	2	3	4	5	6
16	5651- <del>100</del> 144	Integrated Furnace Control	X	X	X	X	X
17	8611-075	Clear Sight Glass	1	1	1	1	1
18	1171-025	Door Pull	X	X	X	X	X
19	8109-010	Induced Draft Blower	X	X	X	X	X
20	5818-033	Gas Manifold	X				
20	5818-034	Gas Manifold		X			
20	5818-035	Gas Manifold			X		
20	5818-036	Gas Manifold				X	
20	5818-037	Gas Manifold					X
21	5651-136	Gas Valve	X	X	X	X	X
22	8611-089-1400	Plastic Wire Channel	X	X	X	X	X
23	8402-078	Primary Limit Control	X	X			
23	8402-089	Primary Limit Control				X	
23	8402-105	Primary Limit Control			X		
23	8402-106	Primary Limit Control					X
24	8406-076	Door Switch	X	X	X	X	X
25	5152-073	Blower Wheel	X				
25	5152-013	Blower Wheel		X			
25	5152-059	Blower Wheel			X		
25	5152-053	Blower Wheel				X	X
26	8614-045	3 Amp Fuse	X	X	X	X	X
27	1921-043	Gasket Set ③		X			
27	1921-044	Gasket Set ③			X		
27	1921-045	Gasket Set ③				X	
27	1921-046	Gasket Set ③					X
	5452-008-1200	Pressure Switch Tubing	X	X	X	X	X

- ① Setpoints shown are nominal cutout (open on pressure fall) ratings and have ± .03 tolerance.
- ② Includes: Wheel P/N 5152-053, Housing and diffuser
- ③ Includes: Gasket for primary limit, collector box, and induced draft blower

# Wire Components

Drawing No.	Part No.	Description	TU042	TU063	TU084	TU105	TU126
1	3000-1028	Wire Harness	X	X	X	X	X
2	3000-1029	Wire Harness	X	X	X	X	X
3	3000-1031	Wire Harness	X	X	X	X	X
4	3000-1030	Wire Harness	X	X	X	X	X
5	3000-987	Wire Harness	X	X	X	X	X



SEXP-233