
REPLACEMENT PARTS MANUAL

WALL MOUNTED GAS/ELECTRIC

MODELS:

WF0501-A, -K
WF1001-A, -K

WF0751-A, -K
WF1251-A, -K

General Notes

- Revised and/or additional pages may be issued from time to time.
- A complete and current manual consists of pages shown in the following contents section.

Important

- Contact the installing and/or local Bard distributor for all parts requirements. Make sure you have the complete model and serial number available from the unit rating plates.

Contents

<i>Description</i>	<i>Page</i>
Cabinet Components	
♦ Exploded View	2
♦ Usage List	3
Functional Components	
♦ Exploded View	4
♦ Usage List	5
Burner & Heat Exchanger Components	
♦ Exploded View	6
♦ Usage List	7
Blower Assembly	
♦ Exploded View	8
♦ Usage List	8



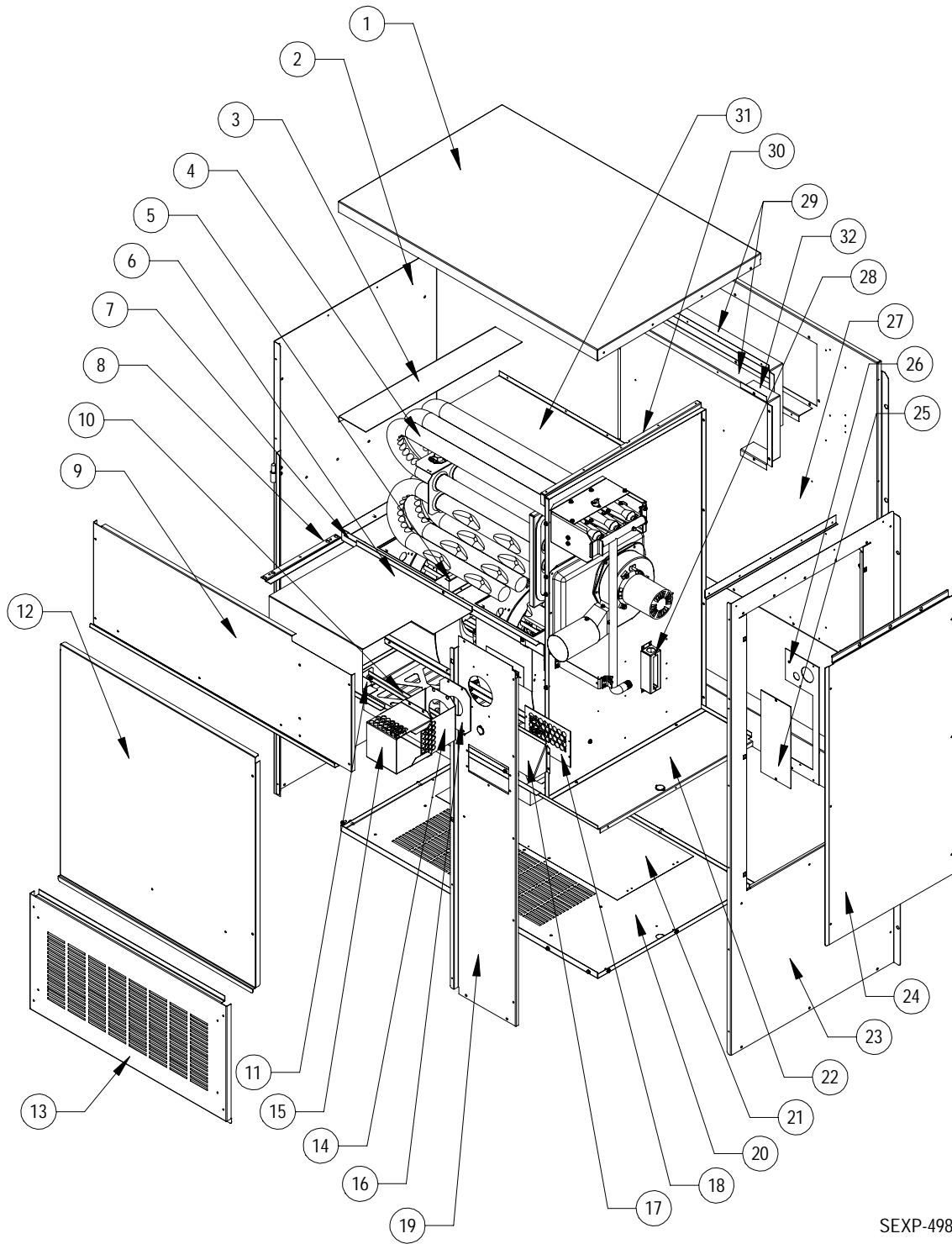
Climate Control Solutions

Bard Manufacturing Company, Inc.
Bryan, Ohio 43506

Since 1914...Moving ahead, just as planned.

Manual: 2110-879
Supersedes: **NEW**
File: Vol. III Tab 20
Date: 11-08-07

CABINET COMPONENTS



SEXP-498

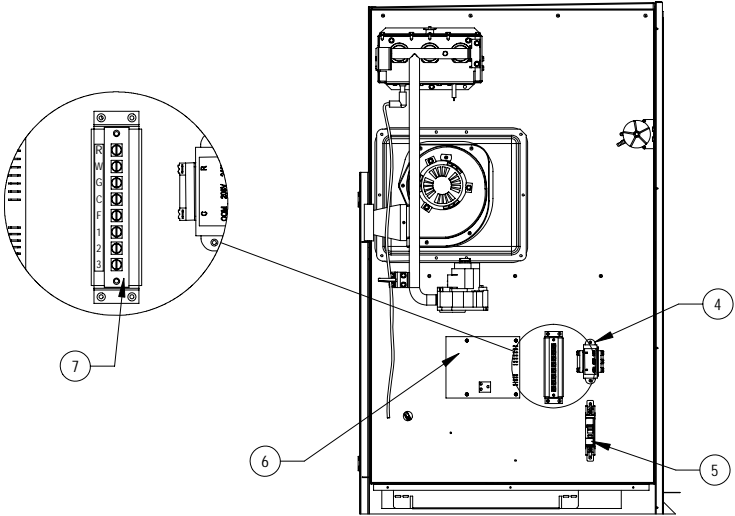
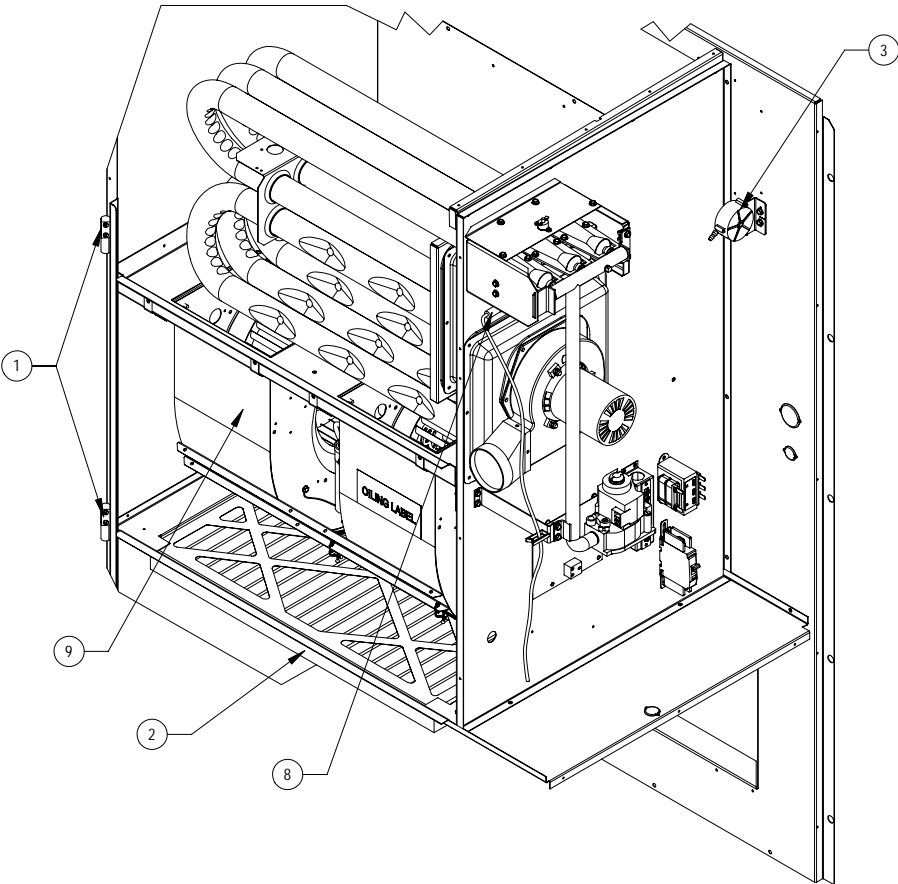
CABINET COMPONENTS

Drawing No.	Part No.	Description	WF0501- WF0501C	WF0751- WF0751C	WF1001- WF1001C	WF1251- WF1251C
1	507-269-*	Top Assembly (standard unit)	X	X	X	X
1	S507-266-*	Top Outlet Assembly (top outlet unit)	X	X	X	X
2	501-503-*	Left Side Assembly	X	X	X	X
3	169-164	Rear Heat Exchanger Baffle	X	X	X	X
4	Heat Exchanger Assembly	See Burner & Heat Exchanger Component List				
5	103-466	2 Tube Heat Exchanger Support Offset	X			
5	103-467	3 Tube Heat Exchanger Support Offset		X		
5	103-468	4 Tube Heat Exchanger Support Offset			X	
5	103-469	5 Tube Heat Exchanger Support Offset				X
6	169-166	2 Tube Secondary Baffle	X			
6	169-163	3 Tube Secondary Baffle		X		
6	169-168	4 Tube Secondary Baffle			X	
6	169-170	5 Tube Secondary Baffle				X
7	S120-426	Blower Partition	X	X	X	X
8	103-450	Blower Partition Offset	4	4	4	4
9	553-433-*	Upper Door Assembly	X	X	X	X
10	105-1111	Door Stop Angle	X	X	X	X
11	104-1191	Door Stop Gusset	X	X	X	X
12	S553-434-*	Front Door Assembly	X	X	X	X
13	553-437-*	Vent Option Door Assembly	X	X	X	X
14	169-120	Inner Vent Hood	X	X	X	X
15	169-119	Outer Vent Hood	X	X	X	X
16	1921-051	Vent Terminal Gasket	X	X	X	X
17	S135-181-*	Air Intake Hood	X	X	X	X
18	S134-182-*	Air Intake Back	X	X	X	X
19	549-107-*	Right Front Corner Assembly	X	X	X	X
20	527-362	Lower Base Assembly	X	X	X	X
21	542-118	Exhaust Block Off Plate	X	X	X	X
22	130-151	Filter Partition	X	X	X	X
23	S501-502-*	Right Side Assembly	X	X	X	X
24	S153-435-*	Vestibule Door Assembly	X	X	X	X
25	134-199	Conduit Access Panel	X	X	X	X
26	156-030	Conduit Entrance Plate	X	X	X	X
27	S509-206	Back Assembly (standard unit)	X	X	X	X
27	S509-207	Back Assembly (top outlet unit)	X	X	X	X
28	117-277	Terminal Strip Box	X	X	X	X
29	111-128	Outlet Air Frame	2	2	2	2
30	140-335	Heat Exchanger Support	X	X	X	X
31	169-165	2 Tube Baffle	X			
31	169-162	3 Tube Baffle		X		
31	169-167	4 Tube Baffle			X	
31	169-169	5 Tube Baffle				X
32	111-129	Air Frame Extension	X	X	X	X
NS	113-149-*	Rain Flashing	X	X	X	X

Continued on Page 4

* Exterior cabinet parts are manufactured with various paint color options. To insure that you receive the proper paint color, you must include the complete model and serial number of the unit for which cabinet parts are being ordered.

FUNCTIONAL COMPONENTS

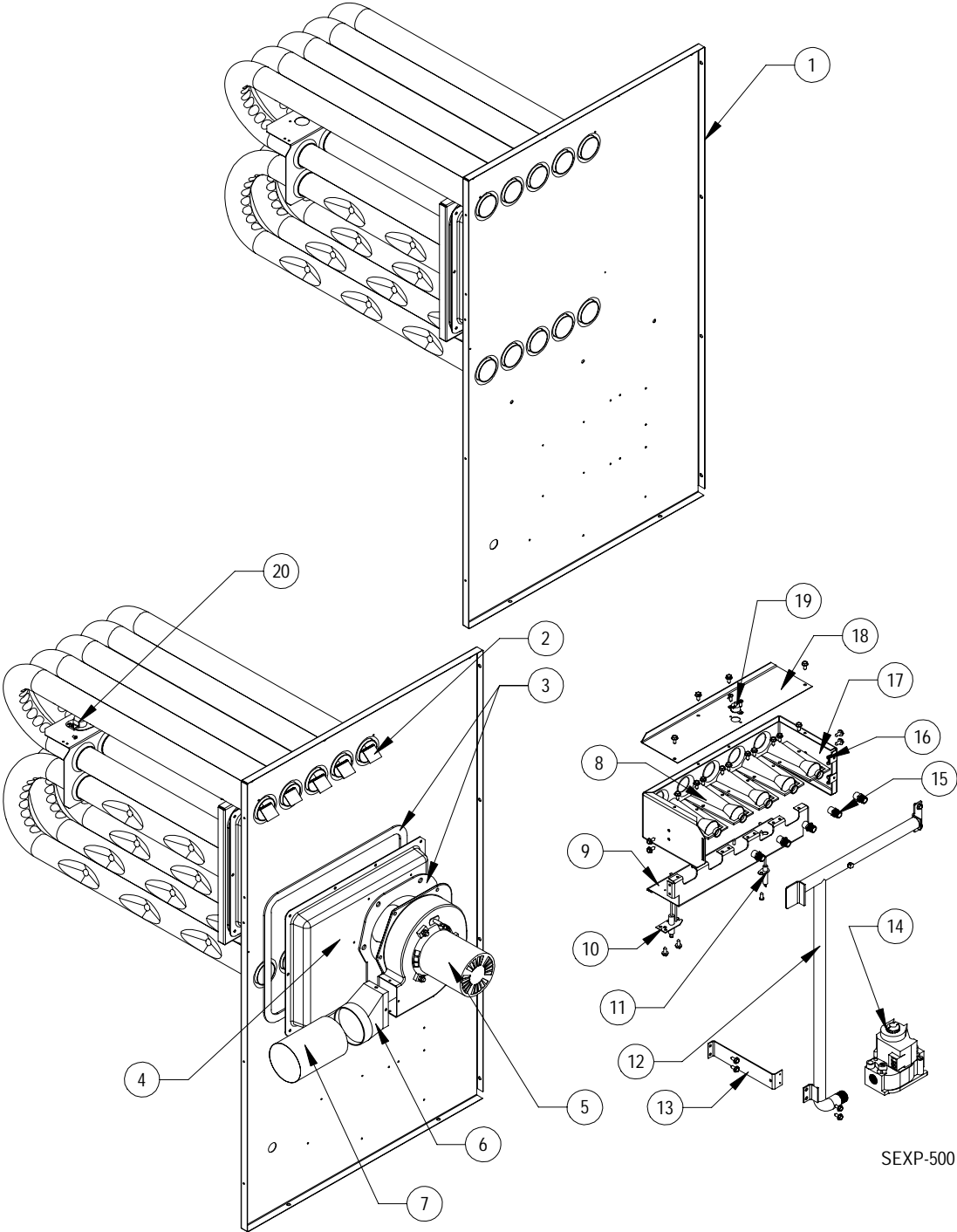


SEXP-499

FUNCTIONAL COMPONENTS

Drawing No.	Part No.	Description	WF0501- WF0501C	WF0751- WF0751C	WF1001- WF1001C	WF1251- WF1251C
1	5400-005	Metal Lift-Off Hinge	2	2	2	2
2	7004-040	20 x 25 x 2 Pleated Filter (Standard)	X	X	X	X
2	7003-042	20 x 25 x 1 AF Filter (Optional)	X	X	X	X
3	8406-122	Pressure Switch	X	X	X	X
4	8407-034	Transformer (230V)	X	X	X	X
4	8407-045	Transformer (115V)	X	X	X	X
5	8615-060	Circuit Breaker (230V)	X	X	X	X
5	8615-070	Circuit Breaker (115V)	X	X	X	X
6	5651-159	Integrated Furnace Control	X	X	X	X
7	8607-021	Terminal Strip	X	X	X	X
8	8600-011	Suppression Ignition Cable	X	X	X	X
9	S900-267	Complete Blower Assembly (230V) See Blower Assembly Component List	X	X	X	X
9	S900-292	Complete Blower Assembly (115V) See Blower Assembly Component List	X	X	X	X

BURNER & HEAT EXCHANGER COMPONENTS

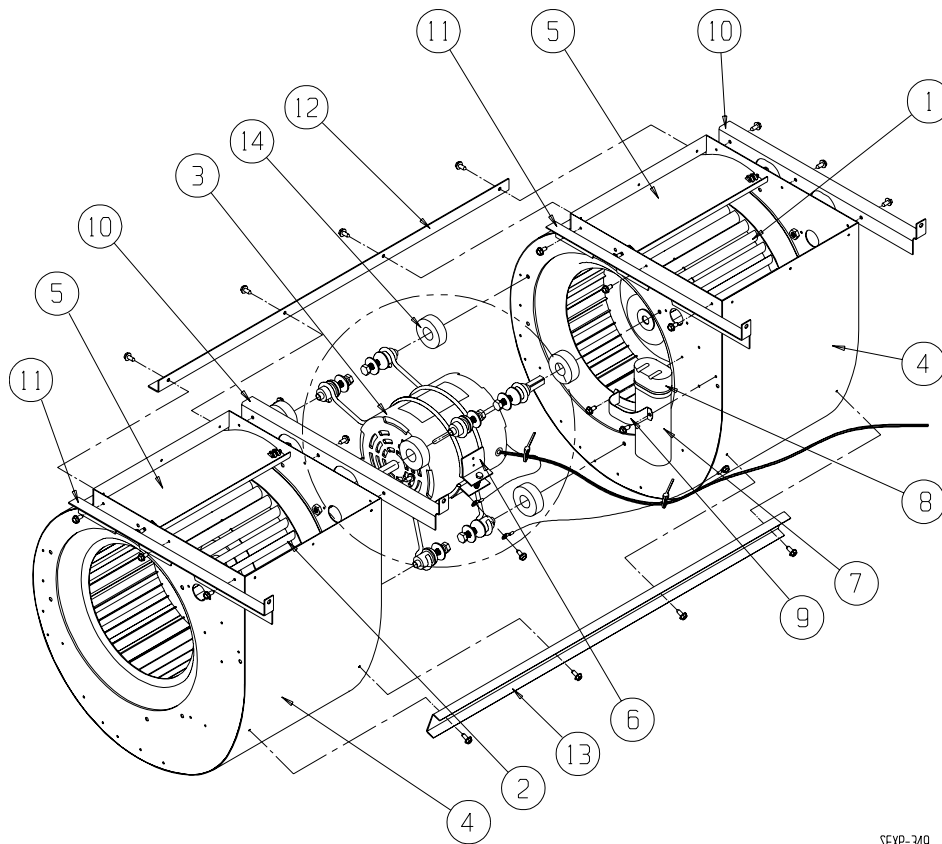


SEXP-500

BURNER & HEAT EXCHANGER COMPONENTS

Drawing No.	Part No.	Description	WF0501-AX & WF0501CAX	WF0501-AN	WF0501-KX & WF0501CKX	WF0501-KN	WF0751-AX & WF0751CAX	WF0751-AN	WF0751-KX & WF0751CKX	WF0751-KN	WF1001-AX & WF1001CAX	WF1001-AN	WF1000-KX & WF1000CKX	WF1000-KN	WF1251-AX & WF1251CAX	WF1251-KX & WF1251CKX
1	S171-277	Heat Exchanger Assembly	X													
1	S171-278	Heat Exchanger Assembly		X												
1	S171-279	Heat Exchanger Assembly			X											
1	S171-280	Heat Exchanger Assembly				X										
1	S171-281	Heat Exchanger Assembly					X									
1	S171-282	Heat Exchanger Assembly						X								
1	S171-283	Heat Exchanger Assembly							X							
1	S171-284	Heat Exchanger Assembly								X						
1	S171-285	Heat Exchanger Assembly									X					
1	S171-286	Heat Exchanger Assembly										X				
1	S171-287	Heat Exchanger Assembly											X			
1	S171-288	Heat Exchanger Assembly												X		
1	S171-289	Heat Exchanger Assembly													X	
1	S171-291	Heat Exchanger Assembly														X
2	9010-083	NOx Screen		2		2		3		3		4		4		
3	1921-044	Gasket Set	X	X	X	X	X	X	X	X	X	X	X	X	X	X
4	168-171	Collector Box	X	X	X	X										
4	168-172	Collector Box					X	X	X	X						
4	168-173	Collector Box									X	X	X	X		
4	168-174	Collector Box													X	X
5	8109-014	Induced Draft Motor w/Transition (230V)	X	X			X	X			X	X			X	
5	8109-016	Induced Draft Motor w/Transition (115V)			X	X			X	X			X	X		X
6	5809-013	3" Cast Inducer Transition	X	X	X	X	X	X	X	X	X	X	X	X	X	X
7	5809-017	Transition	X	X	X	X	X	X	X	X	X	X	X	X	X	X
8	9010-078	In-Shot Burner	2	2	2	2	3	3	3	3	4	4	4	4	5	5
9	163-048	Burner Support	X	X	X	X										
9	163-041	Burner Support					X	X	X	X						
9	163-043	Burner Support									X	X	X	X		
9	163-045	Burner Support													X	X
10	8554-024	DSI Spark Igniter	X	X	X	X	X	X	X	X	X	X	X	X	X	X
11	8554-025	Flame Sensor	X	X	X	X	X	X	X	X	X	X	X	X	X	X
12	5818-053	2-Hole Gas Manifold	X	X	X	X										
12	5818-054	3-Hole Gas Manifold					X	X	X	X						
12	5818-055	4-Hole Gas Manifold									X	X	X	X		
12	5818-056	5-Hole Gas Manifold													X	X
13	113-268	Manifold Bracket	X	X	X	X	X	X	X	X	X	X	X	X	X	X
14	5651-160	Gas Valve	X	X	X	X	X	X	X	X	X	X	X	X	X	X
15	9010-079	2.4MM Orifice	2	2	2	2	3	3	3	3	4	4	4	4	5	5
16	1012-314	"U" Clip Fastener	2	2	2	2	2	2	2	2	2	2	2	2	2	2
17	163-047	Burner Box	X	X	X	X										
17	163-042	Burner Box					X	X	X	X						
17	163-044	Burner Box									X	X	X	X		
17	163-045	Burner Box													X	X
18	141-268	Flame Rollout Support	X	X	X	X	X	X	X	X						
18	141-269	Flame Rollout Support									X	X	X	X		
18	141-270	Flame Rollout Support													X	X
19	8402-124	Limit	X	X	X	X	X	X	X	X	X	X	X	X	X	X
20	8402-161	Limit	X	X	X	X	X	X	X	X						
20	8402-145	Limit									X	X	X	X	X	X

BLOWER ASSEMBLY



SEXP-349

Drawing No.	Part No.	Description	S900-267	S900-292
1	5152-096	Blower Wheel 10-6	X	X
2	5152-072	Blower Wheel 10-6	X	X
3	8105-049	Motor 230/208 V	X	
3	8105-055	Motor 115V		X
4	151-117	Blower Housing	2	2
5	144-167	Diffuser	2	2
6	8200-040	Motor Mount	X	X
7	8552-004	Capacitor 7.5 MFD 370V	X	X
8	8611-002	Capacitor Boot	X	X
9	8550-003	Capacitor Bracket	X	X
10	105X1075	Angle – Right	2	2
11	105Y1075	Angle – Left	2	2
12	105-1109	Angle – Back	X	X
13	165-572	Channel – Front	X	X
14	5451-011	Grommets	3	3