

REPLACEMENT PARTS MANUAL

OIL FIRED FURNACE MODELS OC95D36A, OC125B48A

Manual 2110-903

Revision --

Date 12-21-89

Supersedes

* GENERAL NOTES *

*Revised and/or additional pages may be issued from time to time.
*A complete and current manual consists of pages dated as shown in the following index.

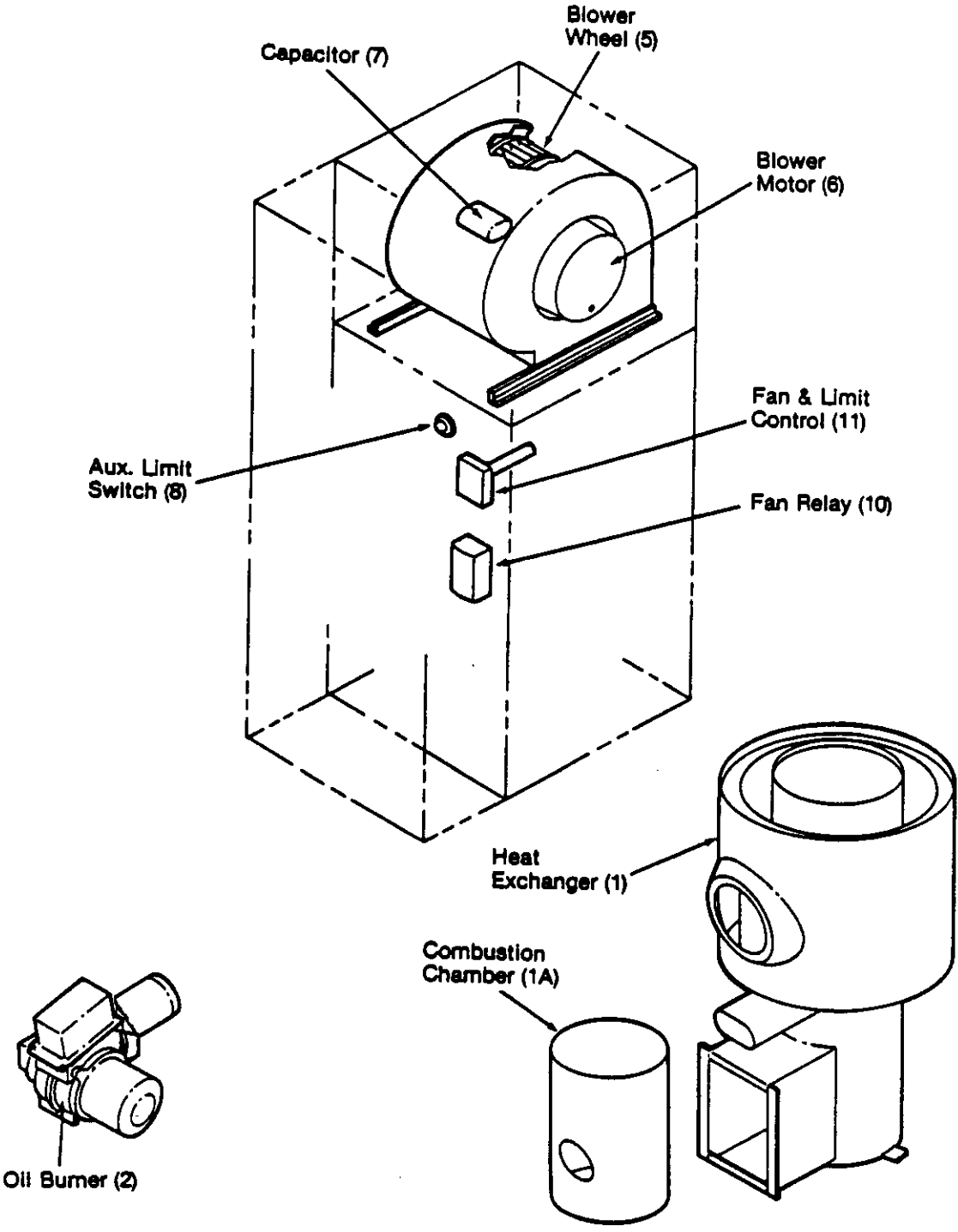
** INDEX **

<u>Page Description</u>	<u>Page</u>	<u>Date</u>	<u>Supersedes</u>
Functional Components--Exploded View	1	12-21-89	
" " --Usage List	2	12-21-89	
Burner Components --Exploded View	3	12-21-89	
" " --Usage List	4	12-21-89	
Cabinet Components --Usage List	5	12-21-89	

*** IMPORTANT ***

Contact the installing and/or local Bard distributor for all parts requirements. Make sure you have the complete model and serial number available from the unit rating plate.

FUNCTIONAL COMPONENTS



Date: 12-21-89
Supersedes:

FUNCTIONAL COMPONENTS

Dwg. No.	Part No.	Description	OC95D36A	OC125D48A
1	9045-009	Heat Exchanger Assembly	x	
1	9045-010	Heat Exchanger Assembly		x
1A	9045-139	Combustion Chamber Wet Pack		x
1A	9045-138	Combustion Chamber Wet Pack	x	
2	9045-018	Oil Burner 1-Stage	x	x
5	5152-013	Blower Wheel 10-8 DD	x	
5	5152-014	Blower Wheel 10-9 DD		x
6	9045-001	Motor 1/3 hp DD 1075 RPM 2-Speed	x	
6	9045-002	Motor 1/2 hp DD 1050 RPM 2-Speed		x
7	8552-001	Capacitor 4MFD 370V	x	
7	8552-002	Capacitor 5MFD 370V		x
8	8402-015	Auxillary Limit Switch	x	x
10	8201-006	40VA Transformer & Relay	x	x
11	8402-007	Fan/Limit Control 8"	x	x
NS	8200-033	DD Motor Mount--Band	x	x
NS	9045-039	DD Motor Mount--Arms	3	3

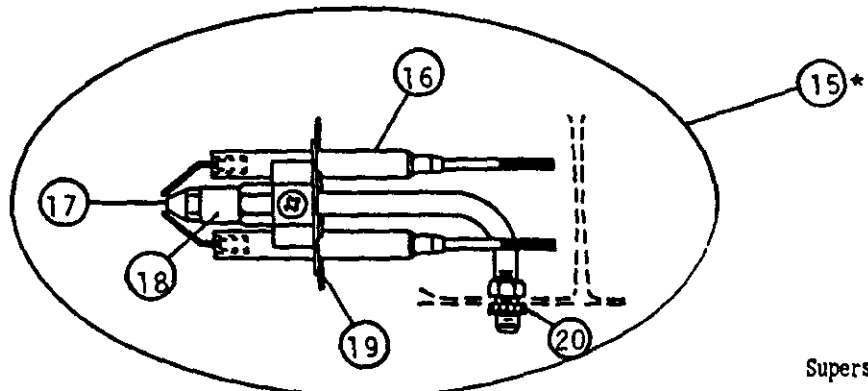
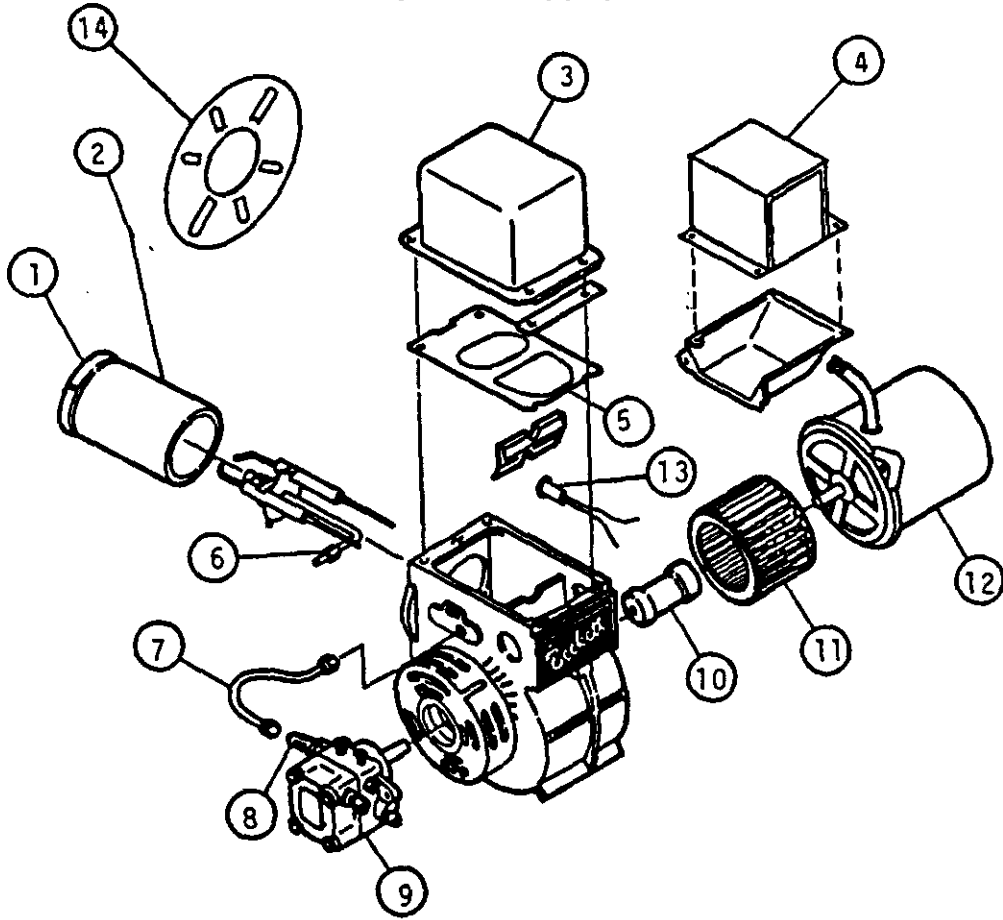
NS - Not shown

Date: 12-21-89
Supersedes:

Beckett

Burner Replacement Parts

Oil Burners



Nozzle Line Electrode Assembly

*Nozzle is not included in assembly.

Date: 12-21-89
Supersedes:

2110-903
Page 3

BURNER COMPONENTS

Dwg. No.	Part No.	Beckett Part No.	Description	O C 9 5 D 3 6 A	O C 1 2 5 D 4 8 A
1	9022-025	R4	Head	X	X
2	9022-027	3294057BK	Air Tube	X	X
3	9022-022	5878U	Transformer w/Gasket AFG	X	X
4	8400-001		Primary Control	X	X
5	9022-006	31405	Transformer Gasket	X	X
6	9022-007	571801	Bulkhead Fitting	X	X
7	9022-008	5636	Connector Tube	X	X
8	9022-009	2256	Pump Outlet Elbow	X	X
9	9022-010	2460U	Pump, Single Stage	X	X
10	9022-011	2454	Coupling	X	X
11	9022-012	2459U	Blower	X	X
12	9022-013	2456U	Motor 1/7 HP 3450 RPM	X	X
13	9022-020	5963001	Cad Cell	X	X
14	9022-021	3811	Mounting Flange Gasket	X	X
15	9022-031	NLS3XZ	Nozzle Line Electrode Assembly	X	X
16	9022-017	5780	Electrode Assenbly (set of 2)	X	X
17	9011-002		Nozzle .85 GPH 80 degree A	X	
17	9011-004		Nozzle 1.10 GPH 80 degree A		X
18	9022-016	213U	Nozzle Adapter, Single	X	X
19	9022-023	3384P	Static Plate 3-3/8"	X	X
20	9022-018	3666	Bulkhead Fitting Locknut	X	X

Date: 12-21-89
Supersedes:

CABINET COMPONENTS

Part No.	Vendor Number	Description	O C 9 5 D 3 6 A	O C 1 2 5 D 4 8 A
9045-074	35989C1	Bottom Louver Door	X	
9045-071	35989C2	Bottom Louver Door		X
*	30359C1	Blower Access Door	X	
*	30359C2	Blower Access Door		X
*	30333D	Base Assembly	X	
9045-143	30334D	Base Assembly		X
9045-129	30358B1	Front Filler Panel	X	
*	30358B2	Front Filler Panel		X
9045-130	30387B1	Rear Panel	X	
*	30387B2	Rear Panel		X
9045-007	30348C1	Right Side Panel	X	
9045-144	30348C3	Right Side Panel		X
9045-128	30348C2	Left Side Panel	X	
*	30348C4	Left Side Panel		X
*	30361C	Blower Deck	X	
*	30362C	Blower Deck		X
*	28955B3	Inner Front Panel	X	
*	28955B4	Inner Front Panel		X
9045-105	30394A	Observation Door	X	X
*	30522B3	Upper Rear Panel		X

*Contact factory for information.

Date: 12-21-89
Supersedes: