

# REPLACEMENT PARTS MANUAL

## OIL FIRED FURNACE MODELS OH95D36A, OH125B48A

Manual 2110-904

Revision --

Date 12-21-89

Supersedes

\*\*\*\*\*  
\* GENERAL NOTES \*  
\*\*\*\*\*

\*Revised and/or additional pages may be issued from time to time.  
\*A complete and current manual consists of pages dated as shown in the following index.

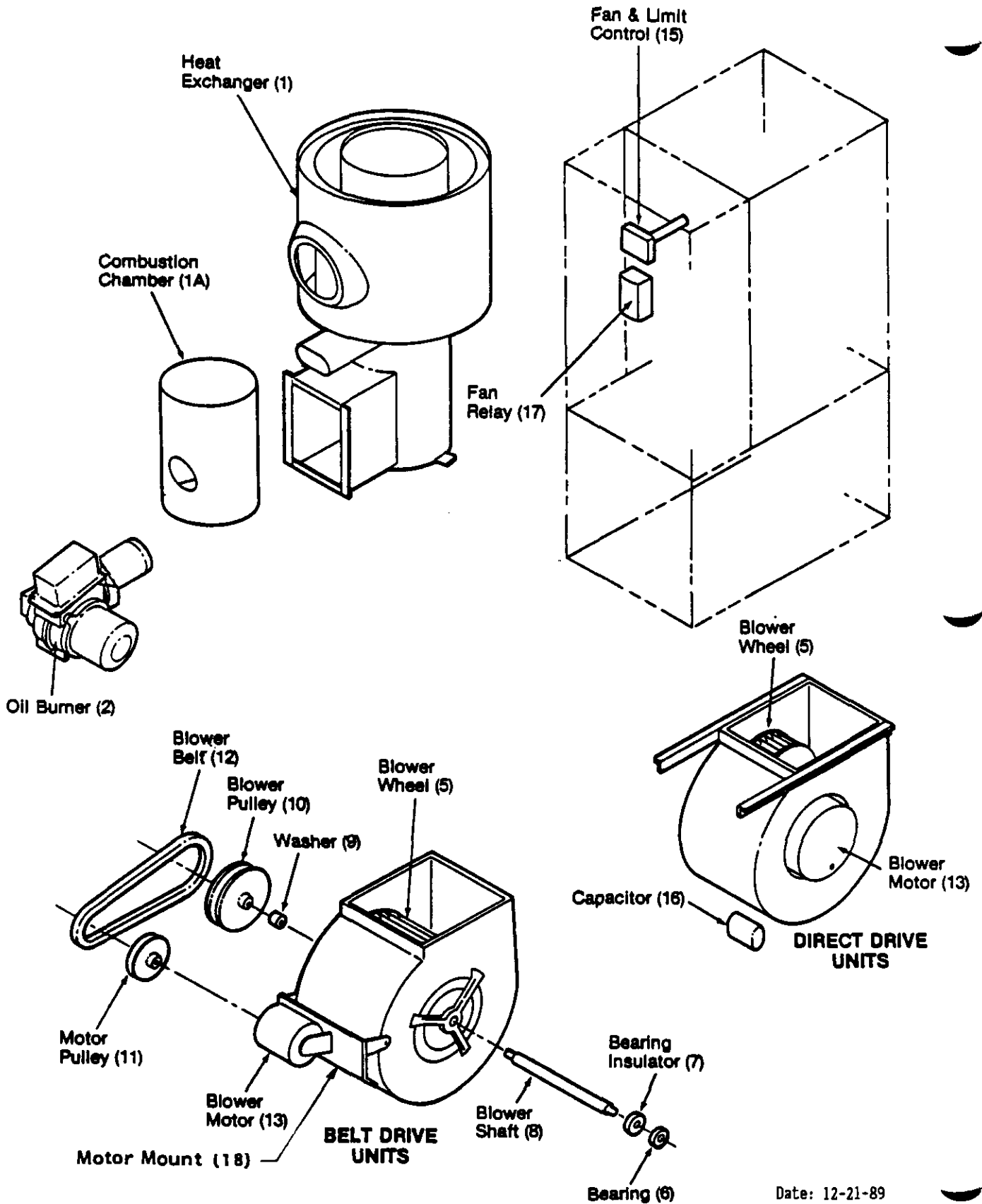
\*\*\*\*\*  
\*\* INDEX \*\*  
\*\*\*\*\*

<u>Page Description</u>	<u>Page</u>	<u>Date</u>	<u>Supersedes</u>
Functional Components--Exploded View	1	12-21-89	
" " --Usage List	2	12-21-89	
Burner Components --Exploded View	3	12-21-89	
" " --Usage List	4	12-21-89	
Cabinet Components --Usage List	5	12-21-89	

\*\*\*\*\*  
\*\*\* IMPORTANT \*\*\*  
\*\*\*\*\*

Contact the installing and/or local Bard distributor for all parts requirements. Make sure you have the complete model and serial number available from the unit rating plate.

FUNCTIONAL COMPONENTS



Date: 12-21-89  
Supersedes:

FUNCTIONAL COMPONENTS

Dwg. No.	Part No.	Description	OH95D36A	OH125B48A
1	9045-009	Heat Exchanger Assembly	x	
1	9045-010	Heat Exchanger Assembly		x
1A	9045-139	Combustion Chamber Wet Pack	x	
1A	9045-138	Combustion Chamber Wet Pack		x
2	9045-018	Oil Burner 1-Stage	x	x
5	5152-013	Blower Wheel 10-8 DD	x	
5	5152-006	Blower Wheel 10-10 BD		x
6	9045-025	Bearing 3/4 inch		2
7	9045-026	Insulator--Bearing		2
8	9045-028	Blower Shaft 15-5/8		x
9	9045-031	Washer--Plastic		2
10	5501-012	Blower Pulley 6 x 3/4		x
11	5501-003	Motor Pulley 4 x 1/2		x (2)
12	5601-004	Belt 39"		x
13	8106-001	Motor 1/2 hp 1725 RPM 1/2"		x (1)
13	9045-001	Motor 1/3 hp DD 1075 RPM 2-Speed	x	
15	8402-007	Fan/Limit Control 8"	x	x
16	8552-001	Capacitor 4MFD 370V	x	
17	8201-006	40VA Transformer & Relay	x	x
18	9045-032	Motor Mount		x
NS	8200-033	DD Motor Mount--Band	x	
NS	9045-039	DD Motor Mount--Arms	3	

(1) Must also use 5501-003 4 x 1/2 pulley.

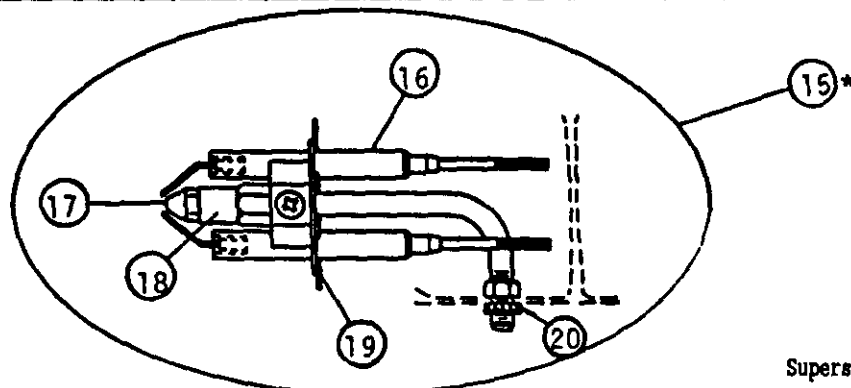
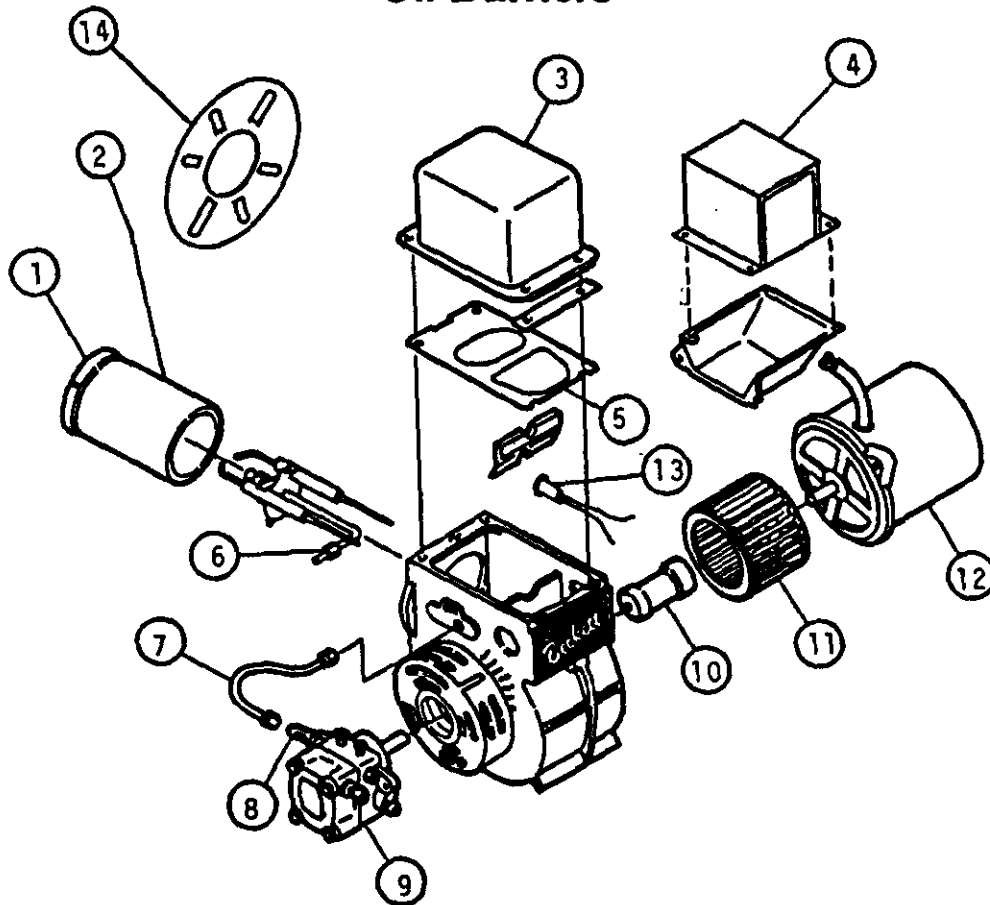
(2) Original factory installed pulley 4 x 5/8. If replacing pulley only, use 5501-016.

NS Not shown

Date: 12-21-89  
Supersedes:

## Burner Replacement Parts

### Oil Burners



**Nozzle Line Electrode Assembly**

\*Nozzle is not included in assembly.

Date: 12-21-89  
Supersedes:

2110-904  
Page 3

BURNER COMPONENTS

Dwg. No.	Part No.	Beckett Part No.	Description	O H 9 5 D 3 6 A	O H 1 2 5 B 4 8 A
1	9022-025	R4	Head	X	X
2	9022-027	3294057BK	Air Tube	X	X
3	9022-022	5878U	Transformer w/Gasket AFG	X	X
4	8400-001		Primary Control	X	X
5	9022-006	31405	Transformer Gasket	X	X
6	9022-007	571801	Bulkhead Fitting	X	X
7	9022-008	5636	Connector Tube	X	X
8	9022-009	2256	Pump Outlet Elbow	X	X
9	9022-010	2460U	Pump, Single Stage	X	X
10	9022-011	2454	Coupling	X	X
11	9022-012	2459U	Blower	X	X
12	9022-013	2456U	Motor 1/7 HP 3450 RPM	X	X
13	9022-020	5963001	Cad Cell	X	X
14	9022-021	3811	Mounting Flange Gasket	X	X
15	9022-031	NL53XZ	Nozzle Line Electrode Assembly	X	X
16	9022-017	5780	Electrode Assembly (set of 2)	X	X
17	9011-002		Nozzle .85 GPH 80 degree A	X	
17	9011-004		Nozzle 1.10 GPH 80 degree A		X
18	9022-016	213U	Nozzle Adapter, Single	X	X
19	9022-023	3384P	Static Plate 3-3/8"	X	X
20	9022-018	3666	Bulkhead Fitting Locknut	X	X

Date: 12-21-89  
Supersedes:

CABINET COMPONENTS

Part No.	Vendor Number	Description	O	O
			H	H
			9	1
			5	2
			D	5
			3	B
			6	4
			A	8
				A
9045-074	35989C1	Top Louver Door	X	
9045-071	35989C2	Top Louver Door		X
9045-135	30298C	Base Assembly	X	
*	30299C	Base Assembly		X
9045-084	30210C1	Front Filler Panel	X	
9045-094	30210C2	Front Filler Panel		X
9045-083	30304C1	Rear Panel	X	
9045-119	30304C3	Rear Panel		X
9045-085	30522B1	Upper Rear Panel	X	
9045-120	30522B2	Upper Rear Panel		X
9045-082	30301B1	Right Side Panel	X	
*	30302B1	Right Side Panel		X
9045-134	30301B2	Left Side Panel	X	
9045-132	30302B2	Left Side Panel		X
9045-075	28340C1	Blower Access Door	X	
9045-133	28340C2	Blower Access Door		X
9045-103	28249B4	Inner Front Panel	X	
9045-122	28249B6	Inner Front Panel		X
9045-105	30394A	Observation Door	X	X

\*Contact factory for information.

Date: 12-21-89  
Supersedes: