

# REPLACEMENT PARTS MANUAL

COMMERCIAL OIL FIRED FURNACE  
MODELS OH225B00A, OH225B96A, OH225B108A, OH225B120A,  
OH275B00A, OH275B108A, OH275B120A,  
OH350B00A, OH350B120A, OH350B144A, OH350B180DA  
OH450B00A, OH450B144A, OH450B180A

Manual 2110-907

Revision --

Date 1-18-90

Supersedes

\*\*\*\*\*  
\* GENERAL NOTES \*  
\*\*\*\*\*

\*Revised and/or additional pages may be issued from time to time.  
\*A complete and current manual consists of pages dated as shown in the following index.

\*\*\*\*\*  
\*\* INDEX \*\*  
\*\*\*\*\*

<u>Page Description</u>	<u>Page</u>	<u>Date</u>	<u>Supersedes</u>
Functional Components--Exploded View	1	1-18-90	
" " --Usage List	2	1-18-90	
Functional Components--Exploded View	3	1-18-90	
" " --Usage List	4	1-18-90	
Beckett Burner Components--Exploded View	5	1-18-90	
" " --Usage List	6	1-18-90	
Cabinet Components --Usage List	7	1-18-90	

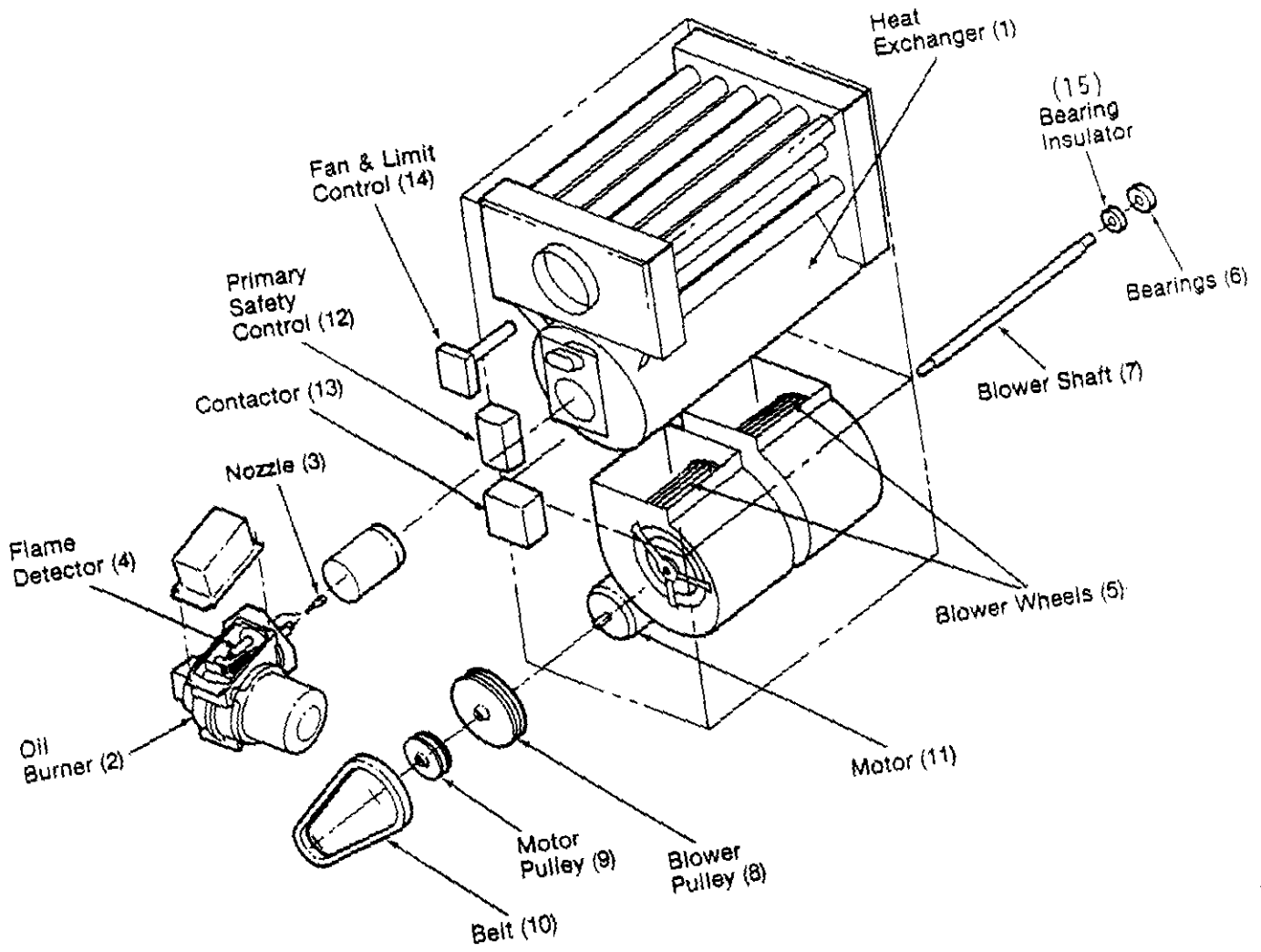
\*\*\*\*\*  
\*\*\* IMPORTANT \*\*\*  
\*\*\*\*\*

Contact the installing and/or local Bard distributor for all parts requirements. Make sure you have the complete model and serial number available from the unit rating plate.

BARD MANUFACTURING COMPANY

BRYAN, OHIO 43506

FUNCTIONAL COMPONENTS



Date: 01-18-90  
Supersedes:

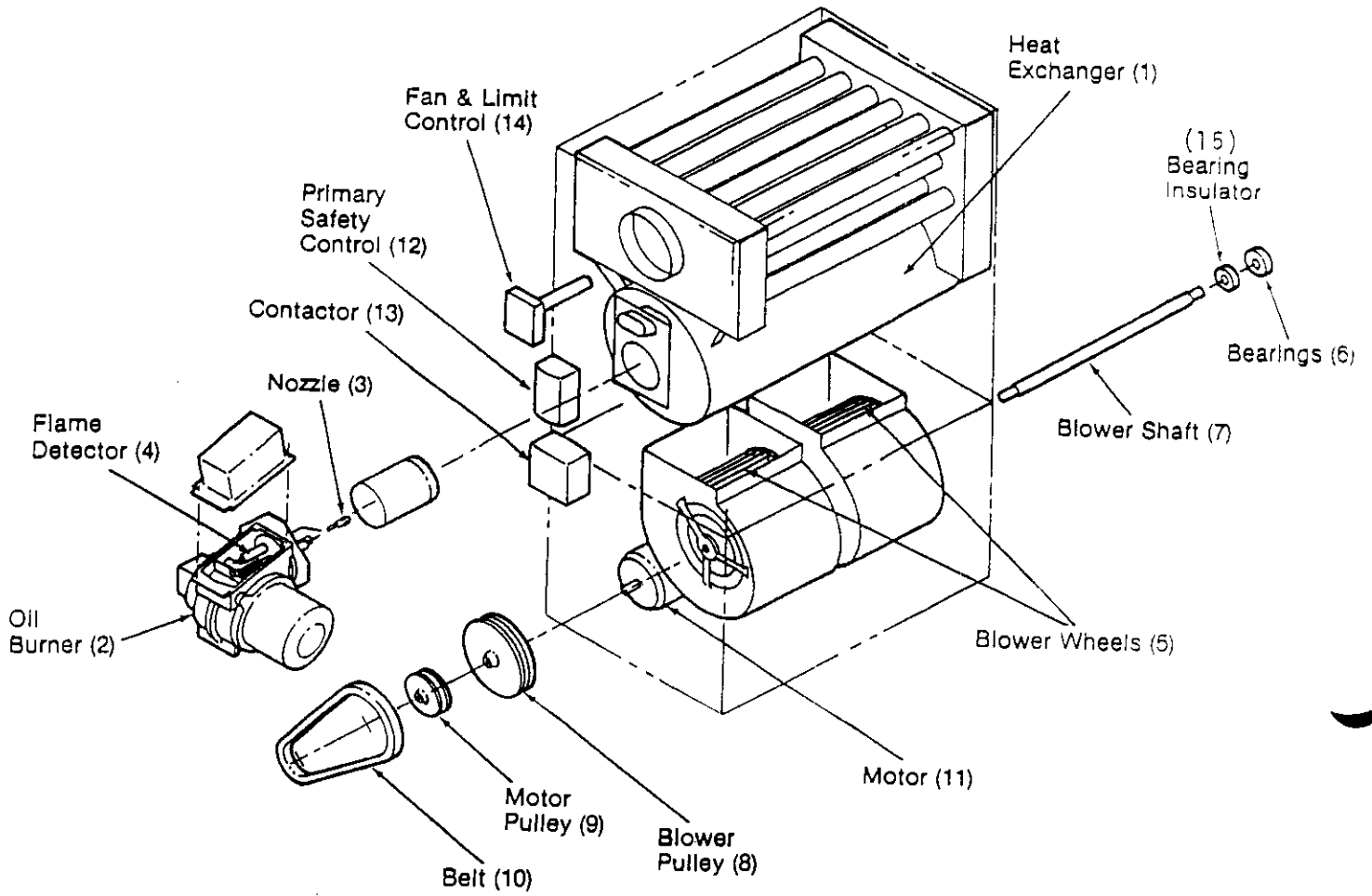
FUNCTIONAL COMPONENTS

Dwg. No.	Part No.	Vendor Number	Description	0 H 2 2 5 B 0 0 A	0 H 2 2 5 B 9 6 A	0 H 2 2 5 B 1 0 8 A	0 H 2 2 5 B 1 2 0 A	0 H 7 7 5 B 0 0 A	0 H 7 7 5 B 1 0 8 A	0 H 7 7 5 B 1 2 0 A
1	9045-086	26670D1	Heat Exchanger	X	X	X	X	X	X	X
2	*	26773C4	Oil Burner	X	X	X	X	X	X	X
3	*	5640B23	Nozzle 2.00 GPH 70 degree S	X	X	X	X			
3	*	5640B24	Nozzle 2.50 GPH 70 degree S					X	X	X
4	*	26966A1	Flame Detector (HW)	X	X	X	X	X	X	X
5	*	1254A4	Blower Wheel	X	X	X	X	X	X	X
6	*	4817B1	Bearing	X	X	X	X	X	X	X
7	*	26717B1	Blower Shaft	X	X	X	X	X	X	X
8	*	1079A3	Pulley--Blower	X						
8	*	1079A2	Pulley--Blower		X	X		X	X	
8	*	6011B15	Pulley--Blower				X			X
9	*	6012B3	Pulley--Motor	X	X			X		
9	*	6012B4	Pulley--Motor			X			X	
9	*	6012B6	Pulley--Motor				X			X
10	*	1081A19	Belt	X		X			X	
10	*	1081A18	Belt		X			X		
10	*	107A32	Belt				X			X
11	*	5834B5	Motor	X						
11	*	5834B6	Motor		X			X		
11	*	26055B3	Motor			X			X	
11	*	4687C3	Motor				X			X
NS	*	1207B2	Draft Control	X	X	X	X	X	X	X
12	*	3298A	Primary Safety Control (HW)	X	X	X	X	X	X	X
13	*	7535C3	Contactora (HW) Motor Start			X	X		X	X
14	*	2379A6	Fan and Limit Control (HW)	X	X	X	X	X	X	X
15	9045-031	9008A3	Washer--Plastic	X	X	X	X	X	X	X
NS	9045-159	33416B1	Heat Exchanger Gasket	2	2	2	2	2	2	2
NS	9045-160	33416B2	Heat Exchanger Gasket	2	2	2	2	2	2	2

\*Contact factory for information.  
NS--Not shown.

Date: 01-18-90  
Supersedes:

FUNCTIONAL COMPONENTS



Date: 01-18-90  
Supersedes:

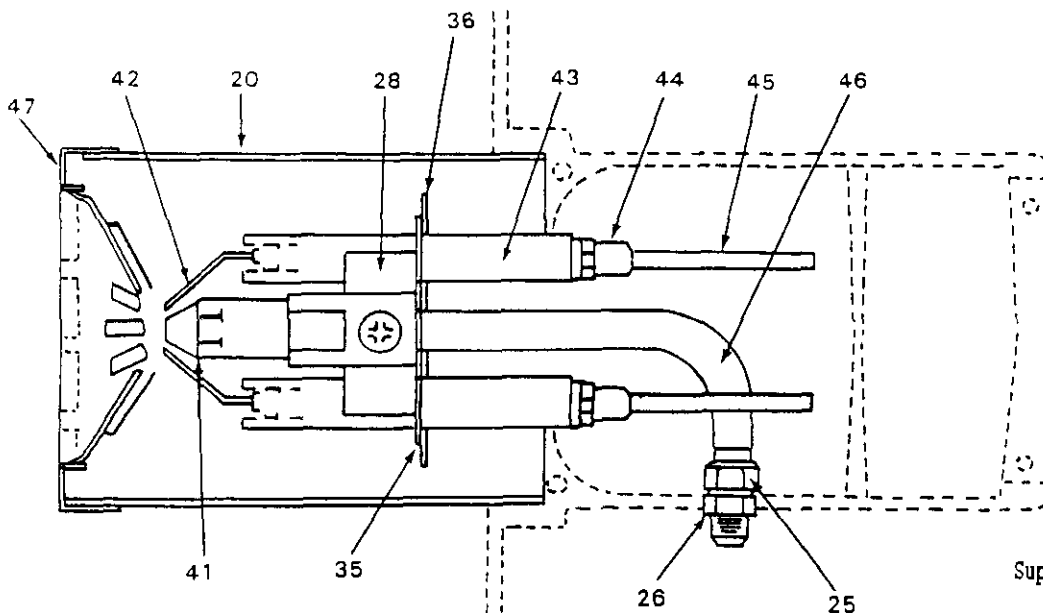
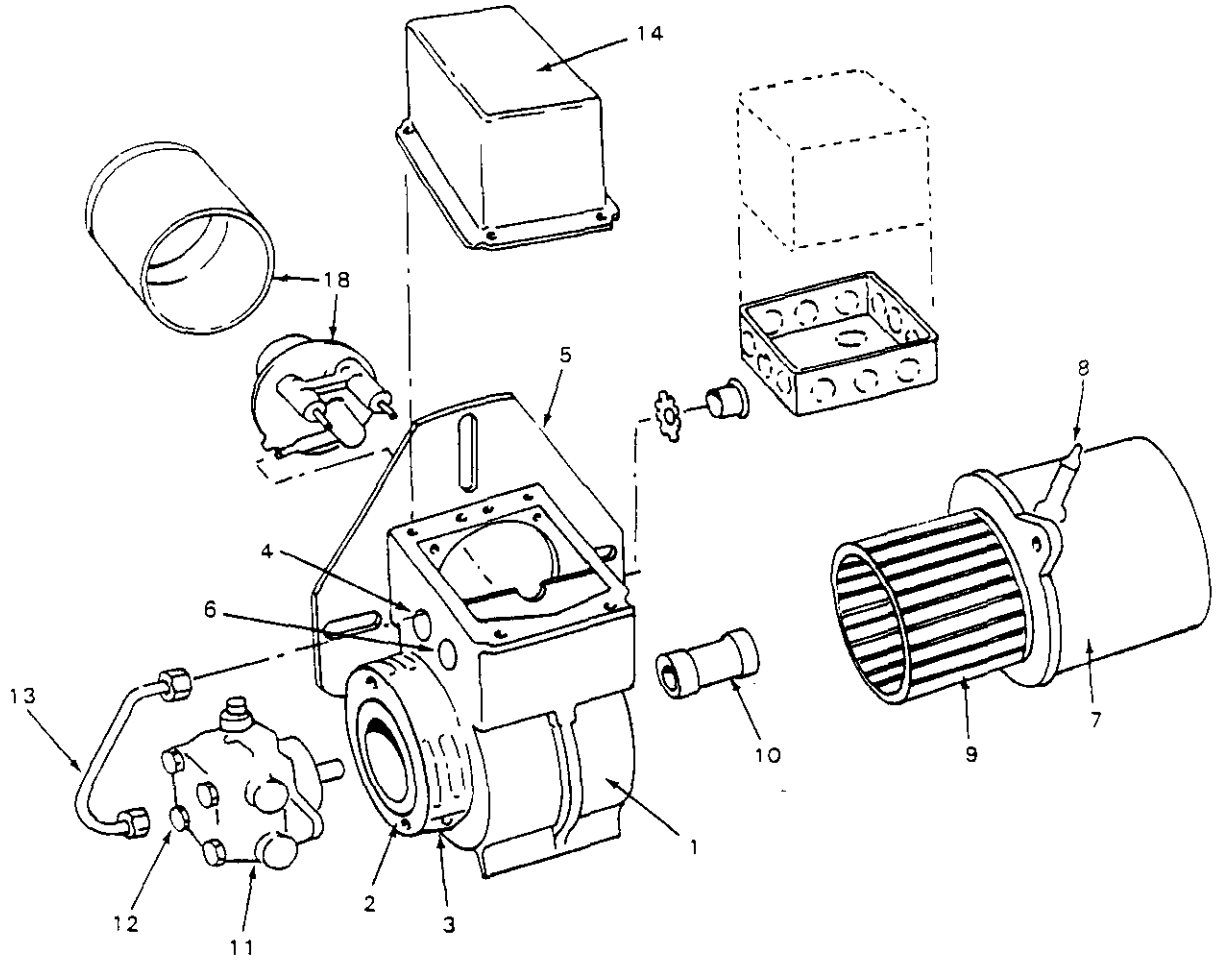
FUNCTIONAL COMPONENTS

Dwg. No.	Part No.	Vendor Number	Description	O H 3 5 0 B 0 0 A	O H 3 5 0 B 0 1 2 0 A	O H 3 5 0 B 1 4 4 A	O H 3 5 0 B 1 1 8 0 A	O H 4 5 0 B 0 4 4 A	O H 4 5 0 B 1 4 4 A	O H 4 5 0 B 1 4 4 A
1	*	26670D2	Heat Exchanger	X	X	X	X	X	X	X
2	*	26773C5	Oil Burner	X	X	X	X	X	X	X
3	*	5640B28	Nozzle 3.00 GPH 70 degree S	X	X	X	X			
3	*	5640B25	Nozzle 4.00 GPH 70 degree S					X	X	X
4	*	2699A1	Flame Detector (HW)	X	X	X	X	X	X	X
5	9045-099	1254A2	Blower Wheel	X	X	X	X	X	X	X
6	*	7070B1	Bearing	X	X	X	X	X	X	X
7	*	26717B2	Blower Shaft	X	X	X	X	X	X	X
8	*	6011B12	Pulley--Blower	X						
8	*	6011B14	Pulley--Blower		X			X		
8	*	6011B16	Pulley--Blower			X			X	
8	*	6011B13	Pulley--Blower				X			X
9	*	6012B6	Pulley--Motor	X	X	X	X	X	X	X
10	*	107A27	Belt	X						
10	*	107A34	Belt		X			X		
10	*	107A35	Belt			X			X	
10	*	107A18	Belt				X			X
11	*	5834B6	Motor	X						
11	*	26055B3	Motor		X			X		
11	*	4687C3	Motor			X			X	
11	*	5834B9	Motor				X			X
NS	*	1207B3	Draft Control	X	X	X	X	X	X	X
12	*	29101B	Primary Safety Control (HW)	X	X	X	X	X	X	X
13	*	7535C3	Contactora (HW) Motor Starter		X	X	X	X	X	X
14	*	2379A6	Fan and Limit Control (HW)	X	X	X	X	X	X	X
NS	9045-159	33416B1	Heat Exchanger Gasket	2	2	2	2	2	2	2
NS	9045-160	33416B2	Heat Exchanger Gasket	2	2	2	2	2	2	2

\*Contact factory for information.  
 NS--Not shown.

Date: 01-18-90  
 Supersedes:

BECKETT SF BURNER COMPONENTS



Date: 01-18-90  
Supersedes:

BECKETT SF BURNER COMPONENTS

Dwg. No.	Part No.	Vendor Number	Description
1	*	5-348S	BURNER HOUSING ASSEMBLY Burner Housing w/Inlet Bell
2	*	3-315	End Air Shutter
3	*	3-217	Bulk Air Band
4	*	3-218	Nozzle Line Escutcheon Plate
5	*	3-230 3-399	Unit Flange or Square Plate Holding Screws (not shown)
6	*	2-139	Hole Plug-Wiring Box (not shown)
7	*	2-364 4-82	DRIVE MOTOR Motor Holding Screws
8	*	3-345	Wire Guard, Motor Lead
9	*	2-288 2-383	BLOWER WHEEL Regular Large (see special note)
10	*	2-290	FLEXIBLE COUPLING
11	*	2-396 2-393 2-591	FUEL UNIT Single-Stage Sundstrand "J" Two-Stage Sundstrand "H" Single-Stage Sundstrand "A"
12	*	2-256 4-82	Pump Outlet Fitting Pump Holding Screws (not shown)
13	*	5-394	Connector Tube Assembly Pump To Nozzle Line
14	*	2-289	Ignition Transformer (10,000V/23 ma.)
15	*	4-217	Hinge Screws
16	*	4-220	Holding Screws
17	*	3-245	Contact Spring Terminal (not shown)
18	*	Note	Air Tube Combination
	*	3-416	Air Tube Gasket (not shown)
20	*	Note	Air Tube
25	*	3-421	Nozzle Line Fitting (Pump End)
26	*	4-98	Lock Nut, Nozzle Line Fitting
27	*	2-13	Nozzle Adapter--Single
28	*	1-49S	Electrode Clamp
33	*	3-241	Contact Springs (as required)
	*	Note	Static Plate and Nozzle Line Support Assembly
35	*	5-503	Centering Spider
36	*	None	Static Plate (see special A.T. Combs)
	*	4-218	Static Plate Holding Screws
38	*	5-432	Adjustable Mounting Flange
39	*	5-685	Pedestal Support
40	*	5-606	Extended Pedestal Kit
41	*		Nozzle
42	*	Note	Electrode Rod and Tip
43	*	Note	Porcelain
44	*		Electrode Rod Extension Adapter (as required)
45	*	Note	Electrode Rod Extension (as required)
46	*	Note	Nozzle Line and Vent Plug
47	*		Burner Head, (one piece head and shield) Type F-300

\*Contact factory for information.

NOTE: Specify burner model number "SF", part description; air tube combination with air tube length (Dimension "A") and firing rate.

Date: 01-18-90  
Supersedes:  
2110-907  
Page 6

CABINET COMPONENTS

Part No.	Vendor Number	Description	O	O	O	O
			R	H	H	H
			2	2	3	4
			2	7	5	5
			5	5	0	0
			B	B	B	B
*	32660B	Upper Front Panel	x	x	x	x
*	32661C	Middle Front Panel	x	x	x	x
9045-049	32659C4	Lower Front Panel	x	x	x	x
9045-055	32662C1	Upper Rear Access	x	x	x	x
9045-049	32659C4	Lower Rear Access	x	x	x	x
*	32662C2	Upper Side Access Panels	2	2		
9045-050	32662C3	Upper Side Access Panels			2	2
9045-051	32659C2	Lower Side Access Panels	2	2		
9045-077	32663C1	Lower Side Access Panels			2	2
9045-052	30999C1	Right Side Corner Posts	2	2	2	2
9045-081	30999C2	Left Side Corner Posts	2	2	2	2
*	26714C1	Blower Deck	x	x		
*	26714C2	Blower Deck			x	x
9045-053	30997C1	Base Assembly	x	x		
9045-080	30997C2	Base Assembly			x	x
*	26694C1	Top Hood Assembly	x	x		
*	26694C2	Top Hood Assembly			x	x
*	26663B1	Smoke Collar	x	x		
*	26663B2	Smoke Collar			x	x

Date: 01-18-90  
Supersedes: