

# REPLACEMENT PARTS MANUAL

## OIL FIRED FURNACE MODELS FLF085D36A, FLF110D48A

Manual 2110-908

Revision D

Date 04-06-92

Supersedes 12-03-91

\*\*\*\*\*  
\* GENERAL NOTES \*  
\*\*\*\*\*

\*Revised and/or additional pages may be issued from time to time.  
\*A complete and current manual consists of pages dated as shown in the following index.

\*\*\*\*\*  
\*\* INDEX \*\*  
\*\*\*\*\*

<u>Page Description</u>	<u>Page</u>	<u>Date</u>	<u>Supersedes</u>
Cabinet Components--Exploded View	1	4-06-92	9-23-91
" " --Usage List	2	4-06-92	9-23-91
Functional Components--Exploded View	3	9-23-91	4-18-90
" " --Usage List	4	4-06-92	4-18-90
Burner Components--Layout	5	12-03-91	4-18-90
" " --Usage List	6	12-03-91	5-18-90

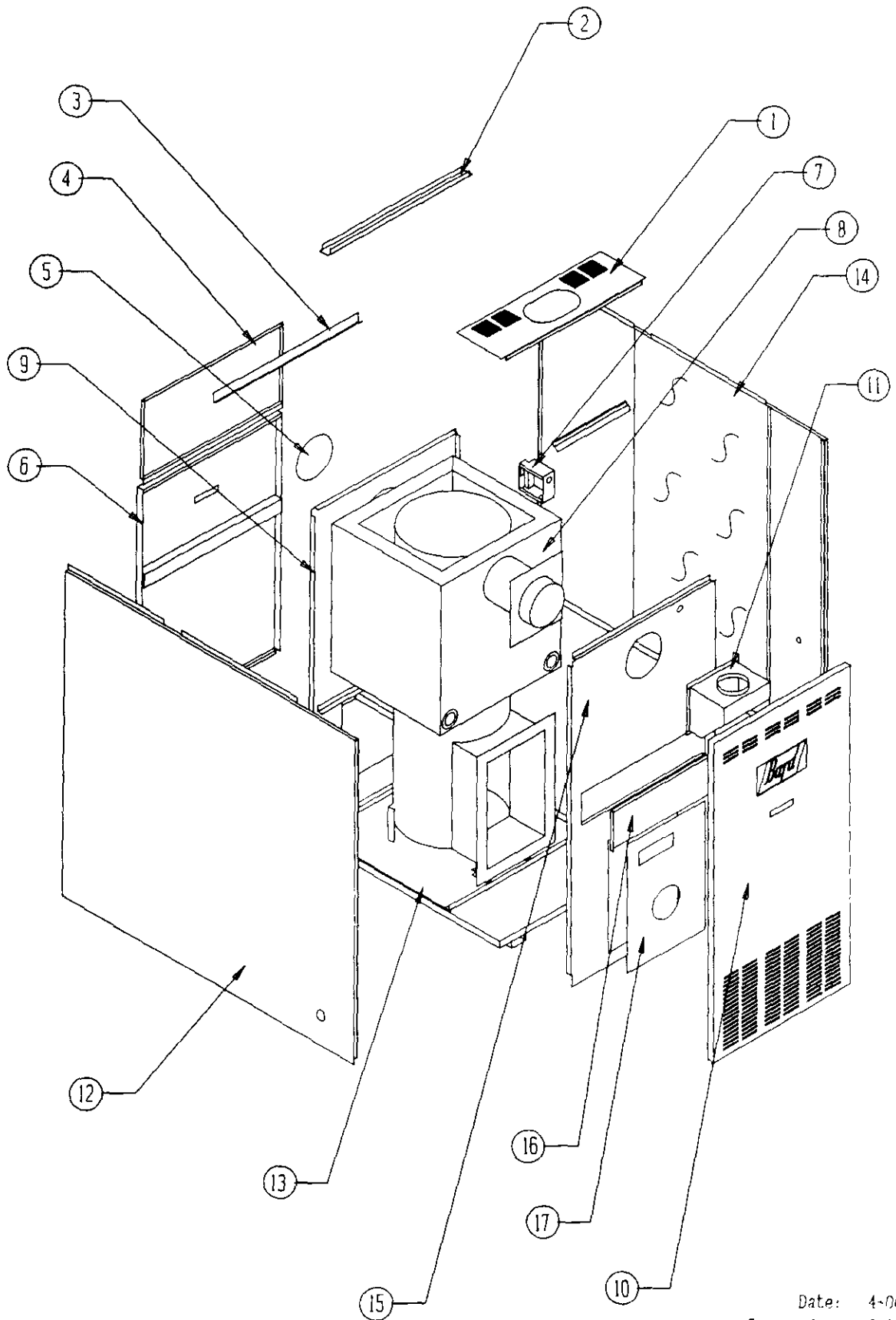
\*\*\*\*\*  
\*\*\* IMPORTANT \*\*\*  
\*\*\*\*\*

Contact the installing and/or local Bard distributor for all parts requirements. Make sure you have the complete model and serial number available from the unit rating plate.

BARD MANUFACTURING COMPANY

BRYAN, OHIO 43506

CABINET COMPONENTS



Date: 4-06-92  
Supersedes: 9-23-91

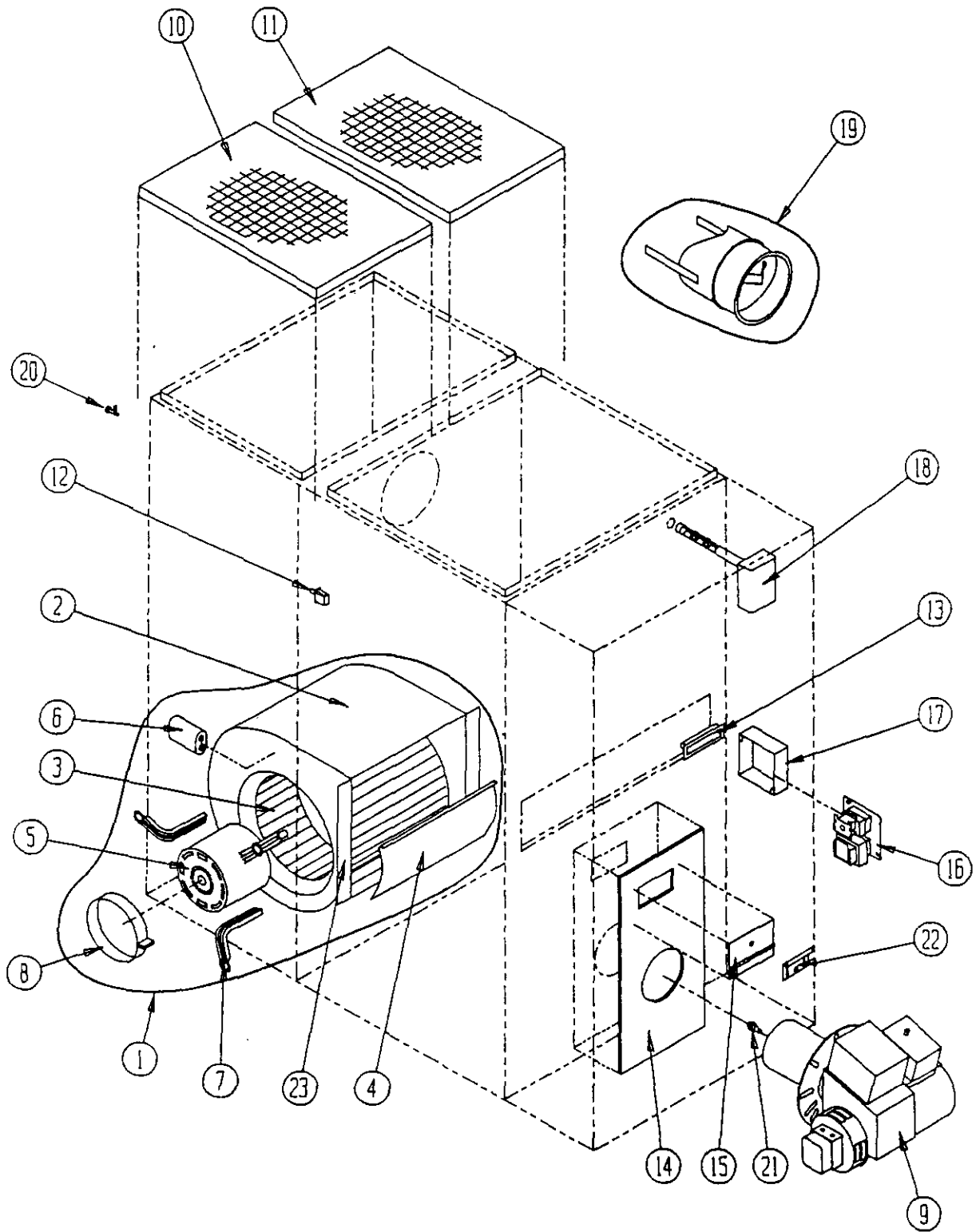
CABINET COMPONENTS

Dwg. No.	Part No.	Description	FLF085D36A	FLF110D48A
1	106-139	Top Fill	X	X
2	164-536	Top Channel	X	X
3	540-189	Filter Support	X	X
4	108-080	Upper Back	X	
4	108-081	Upper Back		X
5	142-029	Flue Cover	X	X
6	552-219	Blower Door	X	X
7	116-084	Rear Junction Box	X	X
8	171-167	Heat Exchanger Assembly (Includes combustion chamber part No. 7090-005) (1)	X	
8	171-168	Heat Exchanger Assembly (Includes combustion chamber part No. 7090-005) (1)		X
9	521-208	Blower Partition	X	
9	521-210	Blower Partition		X
10	152-184	Burner Door	X	
10	152-185	Burner Door		X
11	913-0065	Flue Box Assembly	X	X
12	501-247	Left Side	X	
12	501-249	Left Side		X
13	127-175	Base	X	X
14	501-246	Right Side	X	
14	501-248	Right Side		X
15	520-207	Burner Partition	X	
15	520-209	Burner Partition		X
16	542-037	Cleanout Cover Plate	X	X
17	161-027	Front Plate	X	X

(1) Combustion chamber part No. 7090-005 may be ordered separately.

Date: 4-06-92  
Supersedes: 9-23-91

FUNCTIONAL COMPONENTS



Date: 9-23-91  
Supersedes: 4-18-90

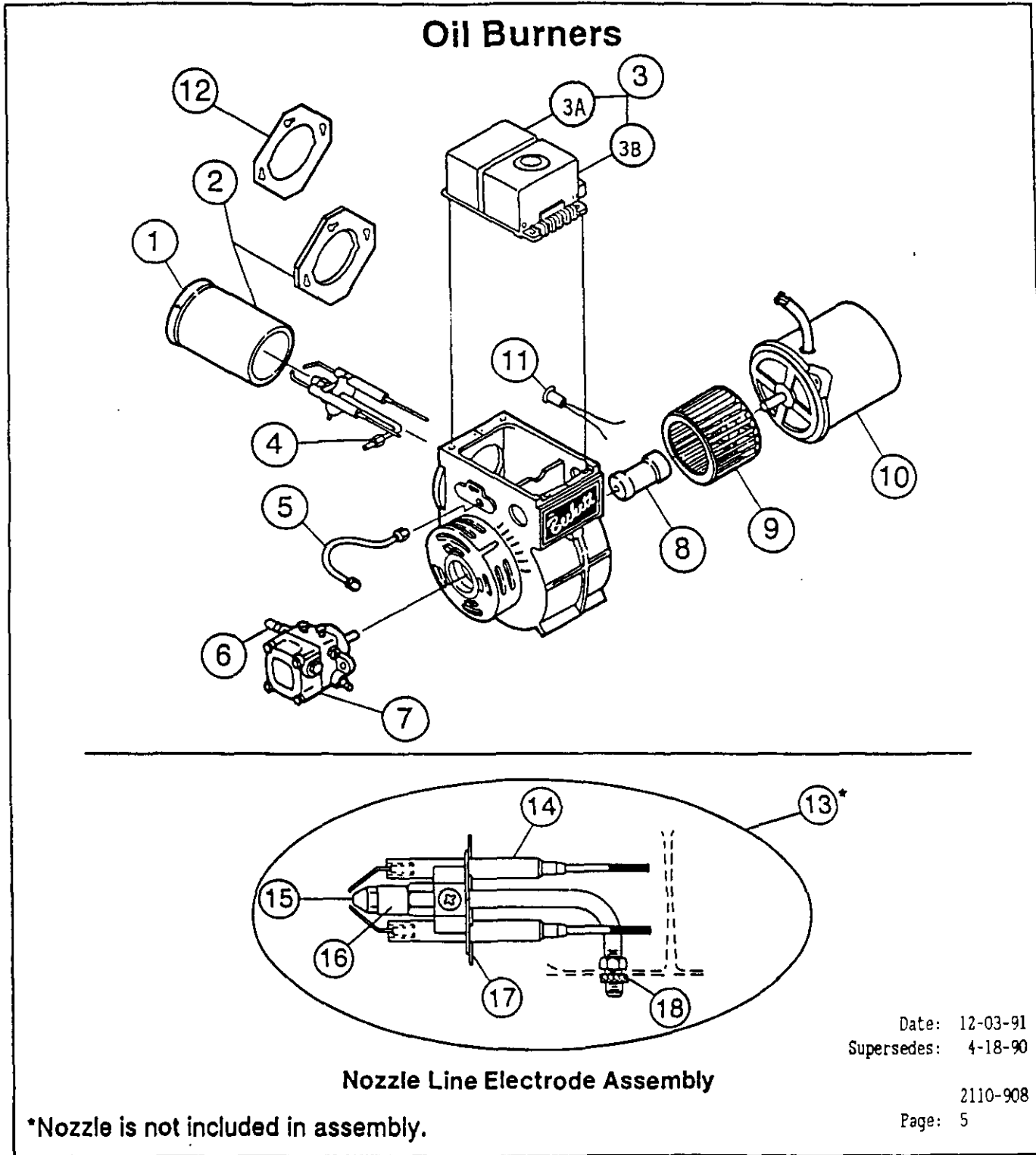
FUNCTIONAL COMPONENTS

Dwg. No.	Part No.	Description	FLF085D36A	FLF110D48A
1	900-157	Blower Assembly	X	
1	900-158	Blower Assenbly		X
2	151-073	Blower Housing Assembly	X	
2	151-082	Blower Housing Assembly		X
3	5152-014	Blower Wheel	X	
3	5152-059	Blower Wheel		X
4	144-128	Diffuser	X	
4	144-129	Diffuser		X
5	8105-036	Motor 1/3 hp ccw	X	
5	8106-018	Motor 1/2 hp cw		X
6	8552-002	Capacitor 5/370	X	
6	8552-004	Capacitor 7.5/370		X
7	8200-034	Motor Mount Arm	3	3
8	8200-033	Motor Mount Band	X	X
9	9020-017	Burner Assembly	X	X
10	7003-020	Permanent Filter 11.5 x 17 x 1	X	
10	7003-021	Permanent Filter 10 x 20 x 1		X
11	7003-020	Permanent Filter 11.5 x 17 x 1	X	
11	7003-016	Permanent Filter 13 x 20 x 1		X
12	8406-013	Door Switch	X	
12	8406-047	Door Switch		X
13	1171-025	Door Pull	2	2
14	1921-021	Front Plate Gasket	X	X
15	142-027	Inspection Door Hinge	X	X
16	8201-006	Fan Center	X	X
17	8614-039	Front Junction Box	X	X
18	8402-043	Fan/Limit Control	X	X
19	8601-031	Barometric Damper	X	X
20	1171-012	Slotted Cabinet Latch	X	X
21	9011-001	Nozzle .75 GPH 80 Degree	X	
21	9011-003	Nozzle 1.00 GPH 80 Degree		X
22	142-026	Inspection Door Cover	X	X
23	104-783	Blower Angles	2	2

Date: 4-06-92  
Supersedes: 4-18-90

2110-908

### Burner Replacement Parts



BURNER COMPONENTS

Dwg. No.	Bard Part No.	Supplier Part No.	Description	FLF085D36A	FLF110D48A
1	9022-003	F3	Head	X	X
2	9022-004	51236007BK	Air Tube and Flange Assembly 7-5/8" Insertion	X	X
3	9022-036	40100-02-BK	Primary Control and Ignitor Assembly*	X	X
3A	9022-037	14280-SO-S	Interrupted Duty Ignitor Only	X	X
3B	9022-038	14290-02-AOS	Primary Control Only	X	X
4	9022-007	571801	Bulkhead Fitting	X	X
5	9022-008	5636	Connector Tube	X	X
6	9022-009	2256	Pump Outlet Elbow	X	X
7	9022-010	2460U	Pump, Single Stage	X	X
18	9022-011	2454	Coupling	X	X
19	9022-012	2459U	Blower	X	X
10	9022-013	2456U	Motor 1/7 HP 3450 RPM	X	X
11	9022-039	40153-SO-E	Cad Cell Assembly**	X	X
	9022-040	14407S	Cad Cell Eye Only	X	X
12	9022-021	3811	Mounting Flange Gasket	X	X
13	9022-014	NL90YH	Nozzle Line Electrode Assembly	X	X
14	9022-017	5780	Electrode Insulator Assembly	X	X
15	9011-001		Nozzle .75 GPH 80 degree A	X	
15	9011-003		Nozzle 1.00 GPH 80 degree A		X
16	9022-016	213U	Nozzle Adapter, Single	X	X
17	9022-023	3384P	Static Plate 3-3/8"	X	X
18	9022-018	3666	Bulkhead Fitting Locknut	X	X

\* Includes 9022-037 interrupted duty ignitor, 9022-038 primary control, and 9022-039 cad cell assembly.  
 \*\* Includes 9022-040 cad cell eye.

Date: 12-03-91  
 Supersedes: 5-18-90

