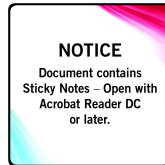


# REPLACEMENT PARTS MANUAL



## OIL FIRED FURNACE MODELS FLR085D36A, FLR110D48A, FLR140D60A

Manual 2110-909

Revision F

Date 01-15-93

Supersedes 04-06-92

\*\*\*\*\*  
\* GENERAL NOTES \*  
\*\*\*\*\*

\*Revised and/or additional pages may be issued from time to time.  
\*A complete and current manual consists of pages dated as shown in the following index.

\*\*\*\*\*  
\*\* INDEX \*\*  
\*\*\*\*\*

<u>Page Description</u>	<u>Page</u>	<u>Date</u>	<u>Supersedes</u>
Cabinet Components--Exploded View	1	1-15-93	9-23-91
" " --Usage List	2	1-15-93	4-06-92
Functional Components--Exploded View	3	1-15-93	9-23-91
" " --Usage List	4	4-06-92	1-03-91
Burner Components--Layout	5	12-03-91	4-18-90
" " --Usage List	6	12-03-91	1-03-91

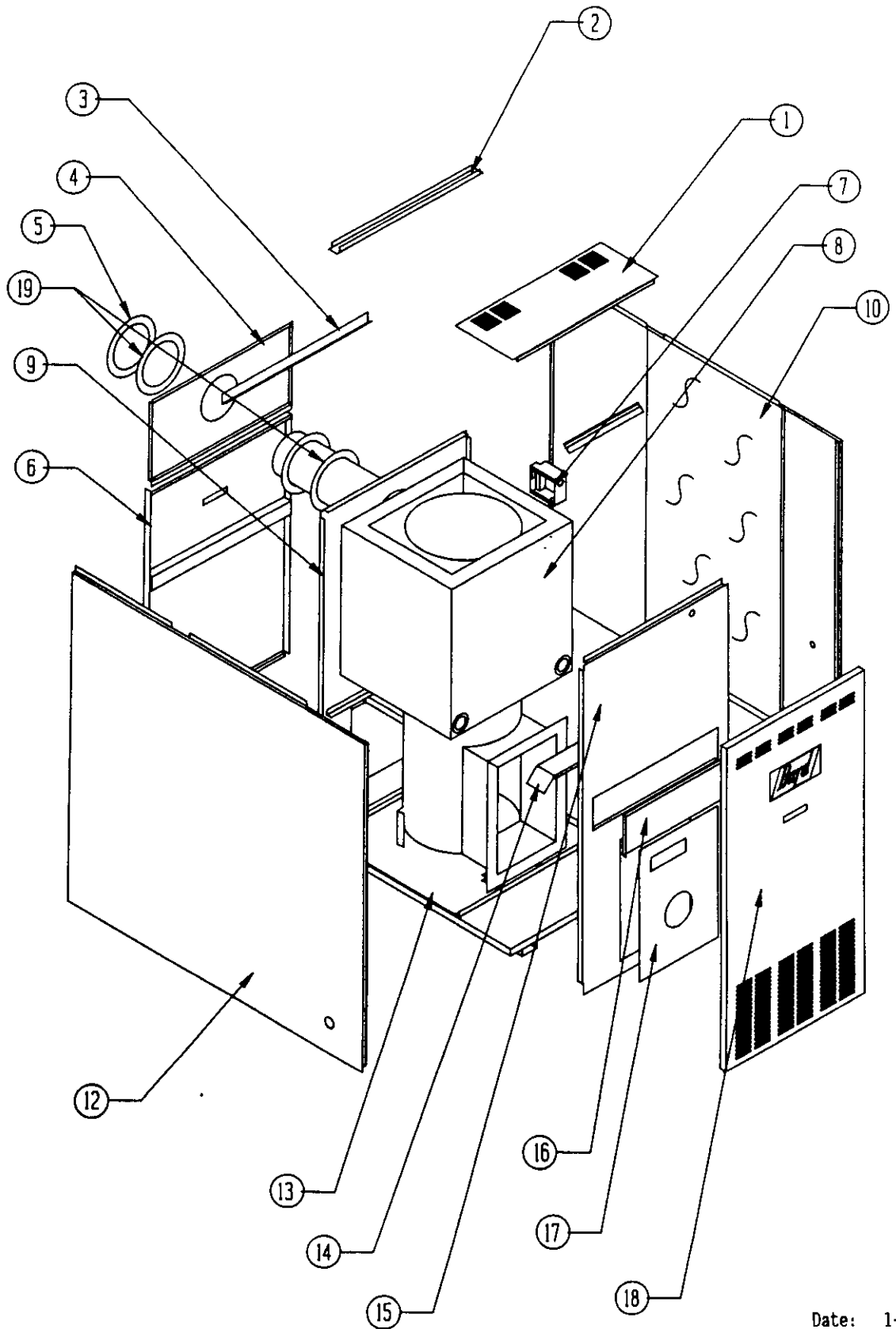
\*\*\*\*\*  
\*\*\* IMPORTANT \*\*\*  
\*\*\*\*\*

Contact the installing and/or local Bard distributor for all parts requirements. Make sure you have the complete model and serial number available from the unit rating plate.

BARD MANUFACTURING COMPANY

BRYAN, OHIO 43506

CABINET COMPONENTS



Date: 1-15-93  
Supersedes: 9-23-91

2110-909  
Page: 1

CABINET COMPONENTS

Dwg. No.	Part No.	Description	FLR085D36A	FLR110D48A	FLR140D60A
1	106-126	Top Fill	X	X	
1	106-128	Top Fill			X
2	164-536	Top Channel	X	X	
2	164-537	Top Channel			X
3	140-189	Filter Support 140-189	X	X	
3	140-175	Filter Support 140-175			X
4	108-082	Upper Back	X		
4	108-083	Upper Back		X	
4	108-085	Upper Back			X
5	166-007	Smoke Pipe Collar 6"	2	2	2
6	552-219	Blower Door	X	X	
6	552-197	Blower Door			X
7	116-084	Rear Junction Box	X	X	X
8	171-182	Heat Exchanger Assembly (Includes combustion chamber part No. 7090-005) (1)	X		
8	171-184	Heat Exchanger Assembly (Includes combustion chamber part No. 7090-005) (1)		X	
8	171-177	Heat Exchanger Assembly (Includes combustion chamber part No. 7090-003) (1)			X
9	521-208	Blower Partition	X		
9	521-210	Blower Partition		X	
9	521-171	Blower Partition			X
10	501-246	Right Side	X		
10	501-248	Right Side		X	
10	501-222	Right Side			X
12	501-247	Left Side	X		
12	501-249	Left Side		X	
12	501-223	Left Side			X
13	127-175	Base	X	X	
13	127-180	Base			X
14	168-048	Air Baffle	X		X
14	168-076	Air Baffle		X	
15	520-219	Burner Partition	X		
15	520-218	Burner Partition		X	
15	520-197	Burner Partition			X
16	542-037	Clean Out Cover Plate	X	X	
16	542-038	Clean Out Cover Plate			X
17	161-027	Front Plate Assembly	X	X	
17	161-029	Front Plate Assembly			X
18	152-184	Burner Door	X		
18	152-185	Burner Door		X	
18	152-198	Burner Door			X
19	1921-006	Smoke Pipe Gasket 6"	2	2	2

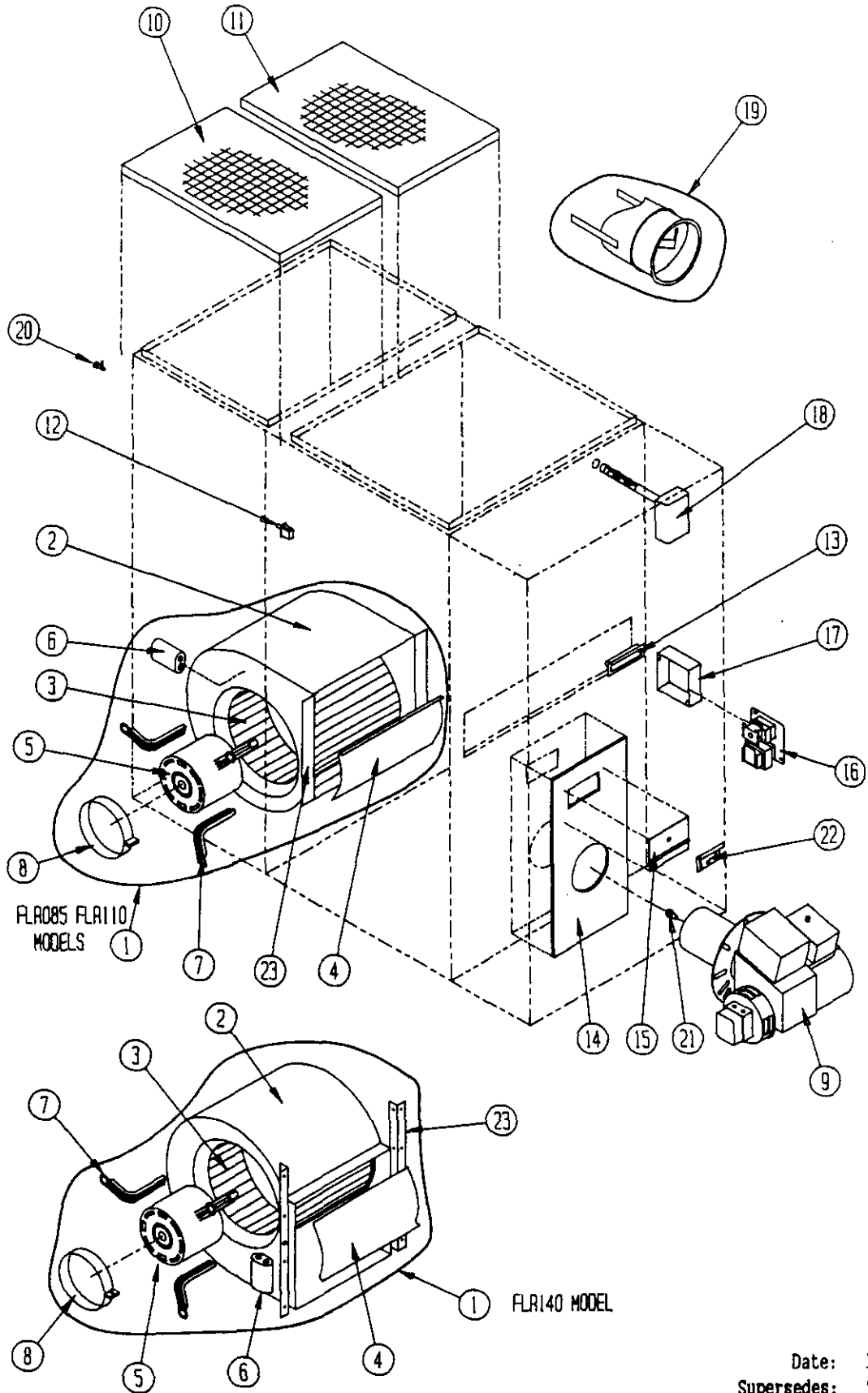
(1) Combustion chamber part No. 7090-005 and 7090-003 may be ordered separately.

Date: 1-15-93  
Supersedes: 4-06-92

2110-909

Page: 2

FUNCTIONAL COMPONENTS



Date: 1-15-93  
 Supersedes: 9-23-91

FUNCTIONAL COMPONENTS

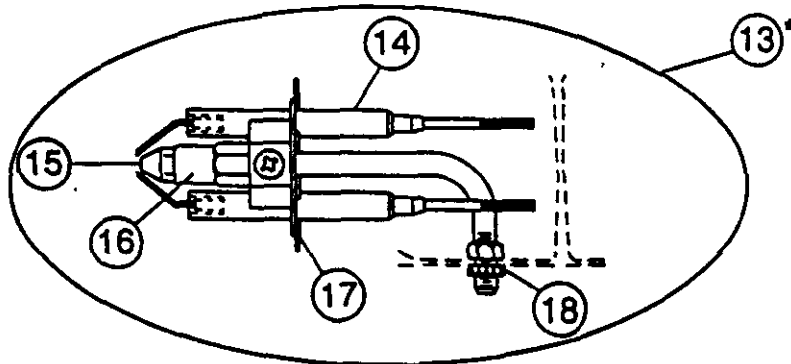
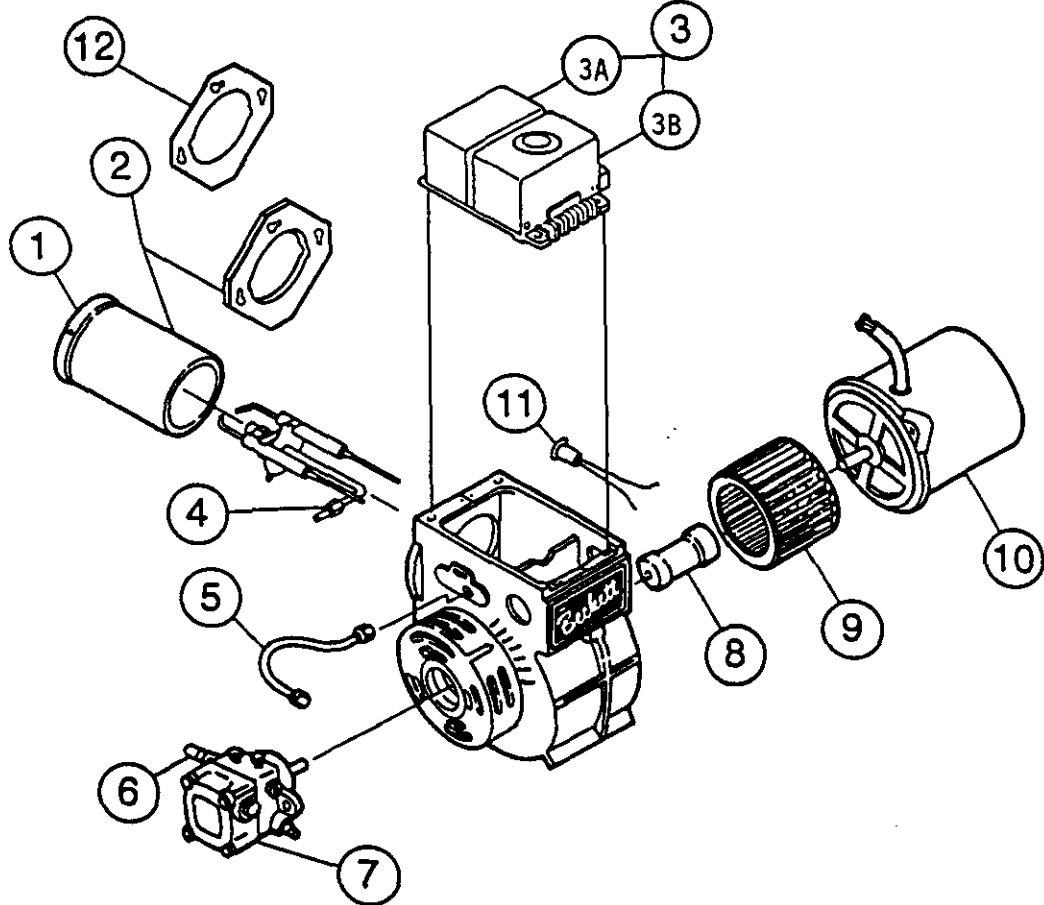
Dwg. No.	Part No.	Description	FLR085D36A	FLR110D48A	FLR140D60A
1	900-054	Blower Assembly			X
1	900-157	Blower Assembly	X		
1	900-158	Blower Assembly		X	
2	151-073	Blower Housing Assembly	X		
2	151-082	Blower Housing Assembly		X	
2	5152-050	Blower Housing Assembly (1)			X
3	5152-014	Blower Wheel	X		
3	5152-053	Blower Wheel			X
3	5152-059	Blower Wheel		X	
4	144-128	Diffuser	X		
4	144-129	Diffuser		X	
4	NA	Diffuser (1)			X
5	8105-036	Motor 1/3 hp ccw	X		
5	8106-018	Motor 1/2 hp cw		X	
5	8107-004	Motor 3/4 hp 115C ccw PSC			X
6	8552-002	Capacitor 5/370	X		
6	8552-004	Capacitor 7.5/370		X	
6	8552-026	Capacitor 15/370			X
7	8200-034	Motor Mount Arm	3	3	
7	8200-035	Motor Mount Arm			3
8	8200-033	Motor Mount Band	X	X	X
9	9020-018	Oil Burner	X	X	
9	9020-019	Oil Burner			X
10	7003-020	Permanent Filter 11.5 x 17 x 1	1		
10	7003-021	Permanent Filter 10 x 20 x 1		1	
10		Not used on 140 model			
11	7003-016	Permanent Filter 13 x 20 x 1		1	2
11	7003-020	Permanent Filter 11.5 x 17 x 1	1		
12	8406-013	Door Switch	X		
12	8406-047	Door Switch		X	X
13	1171-025	Door Pull	2	2	2
14	1921-021	Front Plate Gasket	X	X	
14	1921-022	Front Plate Gasket			X
15	142-027	Inspection Door Hinge	X	X	X
16	8201-006	Fan Center (2 speed relay)	X	X	X
17	8614-039	Front Junction Box	X	X	X
18	8402-042	Fan/Limit Control	X	X	X
19	8601-031	Barometric Damper	X	X	X
20	1171-012	Flush Cabinet Latch	X	X	X
21	9011-001	Nozzle .75 GPH 80 Degree	X		
21	9011-003	Nozzle 1.00 GPH 80 Degree		X	
21	9011-006	Nozzle 1.25 GPH 80 Degree			X
22	142-026	Inspection Door Cover	X	X	X
23	104-783	Blower Angles	2	2	
23	104-794	Blower Angles			2

(1) Balloon No. 2 part No. 5152-050 includes housing, diffuser, and blower wheel part No. 5152-053.

Date: 4-06-92  
Supersedes: 1-03-91

## Burner Replacement Parts

### Oil Burners



Nozzle Line Electrode Assembly

\*Nozzle is not included in assembly.

Date: 12-03-91  
Supersedes: 4-18-90

2110-909  
Page: 5

BURNER COMPONENTS

Dwg. No.	Bard Part No.	Supplier Part No.	Description	FLR085D36A	FLR110D48A	FLR140D60A
1	9022-003	F3	Head	X	X	
1	9022-034	F4	Head			X
2	9022-019	51236009BK	Air Tube and Flange Assy. 5-1/2" Insertion	X	X	X
3	9022-037	40100-02-BK	Primary Control and Ignitor Assembly *	X	X	X
3A	9022-037	14280-SO-S	Interrupted Duty Ignitor Only	X	X	X
3B	9022-038	14290-02-AOS	Primary Control Only	X	X	X
4	9022-007	571801	Bulkhead Fitting	X	X	X
5	9022-008	5636	Connector Tube	X	X	X
6	9022-009	2256	Pump Outlet Elbow	X	X	X
7	9022-010	2460U	Pump, Single Stage	X	X	X
8	9022-011	2454	Coupling	X	X	X
9	9022-012	2459U	Blower	X	X	X
10	9022-013	2456U	Motor 1/7 HP 3450 RPM	X	X	X
11	9022-039	40153-SO-B	Cad Cell Assembly**	X	X	X
	9022-040	14407S	Cad Cell Eye Only	X	X	X
12	9022-024	3616	Mounting Flange Gasket	X	X	X
13	9022-015	NL72YH	Nozzle Line Electrode Assembly	X	X	X
14	9022-017	5780	Electrode Insulator Assembly	X	X	X
15	9011-001		Nozzle .75 GPH 80 degree A	X		
15	9011-003		Nozzle 1.00 GPH 80 degree A		X	
15	9011-006		Nozzle 1.25 GPH 80 degree A			X
16	9022-016	213U	Nozzle Adapter, Single	X	X	X
17	9022-023	3384P	Static Plate 3-3/8"	X	X	
17	9022-035	3383P	Static Plate 2-3/4"			X
18	9022-018	3666	Bulkhead Fitting Locknut	X	X	X

\* Includes 9022-037 interrupted duty ignitor, 9022-038 primary control, and 9022-039 cad cell assembly.

\*\* Includes 9022-040 cad cell eye.

Date: 12-03-91  
Supersedes: 1-03-91