

REPLACEMENT PARTS MANUAL

OIL FIRED FURNACE MODELS FLR085D36A, FLR110D48A

Manual 2110-909 Revision Date 4-18-90 Supersedes

* GENERAL NOTES *

*Revised and/or additional pages may be issued from time to time.
*A complete and current manual consists of pages dated as shown in the following index.

** INDEX **

<u>Page Description</u>	<u>Page</u>	<u>Date</u>	<u>Supersedes</u>
Cabinet Components--Exploded View	1	4-18-90	
" " --Usage List	2	4-18-90	
Functional Components--Exploded View	3	4-18-90	
" " --Usage List	4	4-18-90	
Burner Components--Layout	5	4-18-90	
" " --Usage List	6	4-18-90	

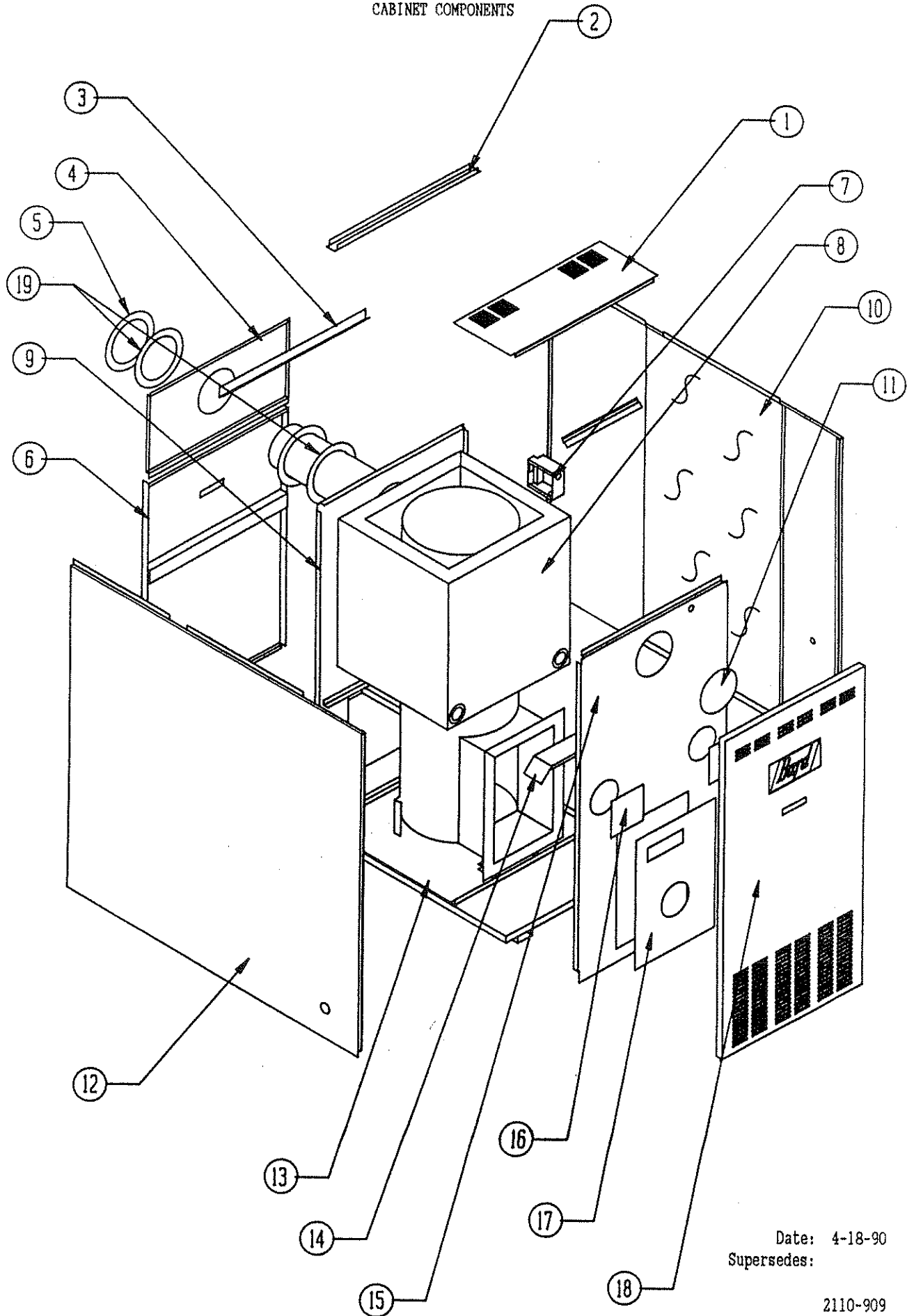
*** IMPORTANT ***

Contact the installing and/or local Bard distributor for all parts requirements. Make sure you have the complete model and serial number available from the unit rating plate.

BARD MANUFACTURING COMPANY

BRYAN, OHIO 43506

CABINET COMPONENTS



Date: 4-18-90
Supersedes:

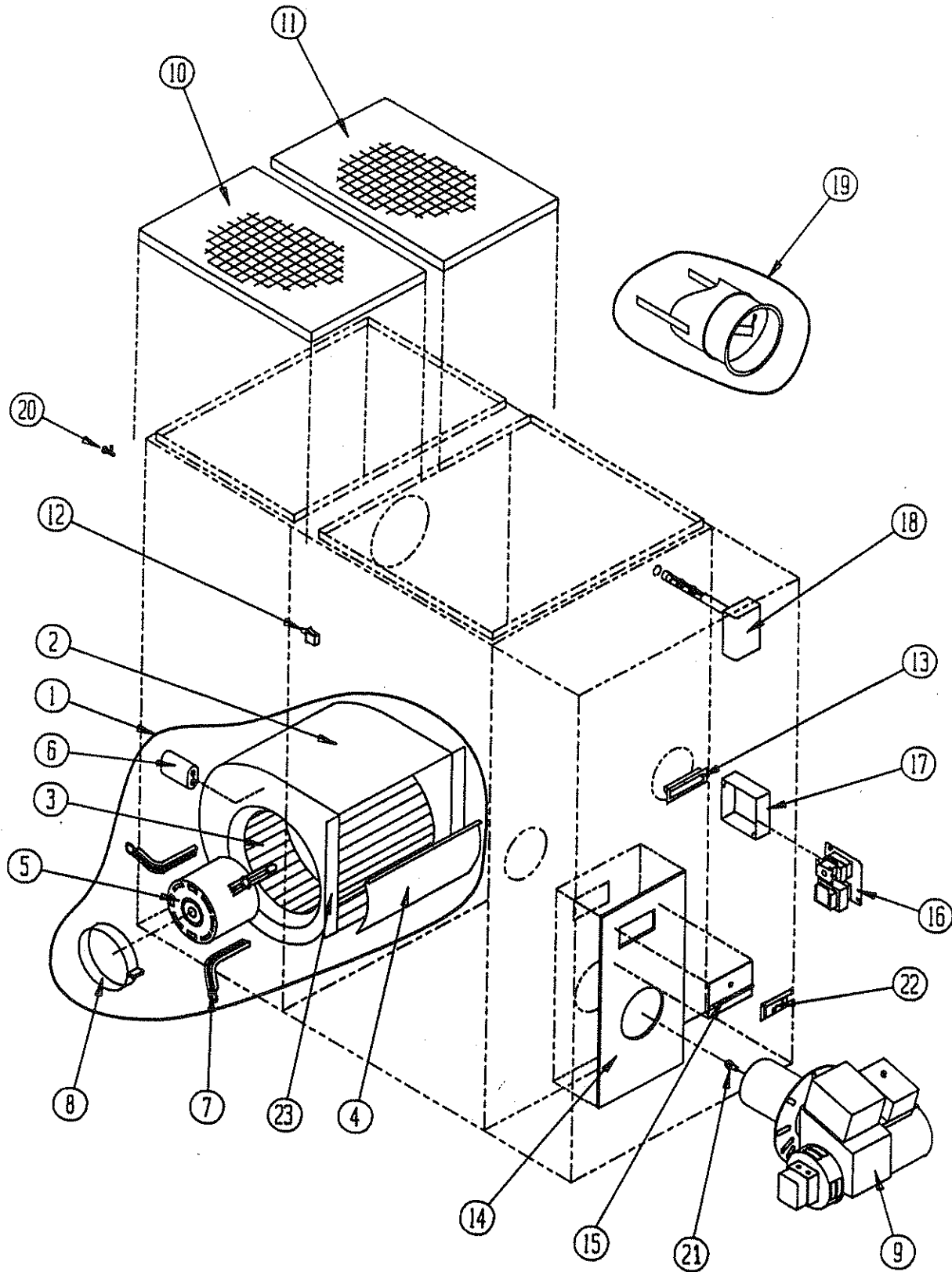
CABINET COMPONENTS

Dwg. No.	Part No.	Description	FLR085D36A	FLR110D48A
1	106-126	Top Fill	X	X
2	164-536	Top Channel	X	X
3	104-432	Filter Seal	X	X
4	108-082	Upper Back	X	
4	108-083	Upper Back		X
5	166-007	Smoke Pipe Collar 6"	2	2
6	552-183	Blower Door	X	X
7	116-084	Rear Junction Box	X	X
8	171-169	Heat Exchanger Assembly (Includes combustion chamber part No. 7090-005) (1)	X	
8	171-170	Heat Exchanger Assembly (Includes combustion chamber part No. 7090-005) (1)		X
9	521-154	Blower Partition	X	
9	521-156	Blower Partition		X
10	501-207	Right Side	X	
10	501-209	Right Side		X
11	142-029	Flue Cover	X	X
12	501-208	Left Side	X	
12	501-210	Left Side		X
13	127-175	Base	X	X
14	168-048	Air Baffle	X	
14	168-049	Air Baffle		X
15	520-153	Burner Partition	X	
15	520-155	Burner Partition		X
16	542-024	Clean Out Cover Plate	2	2
17	161-027	Front Plate Assembly	X	X
18	152-184	Burner Door	X	
18	152-185	Burner Door		X
19	1921-006	Smoke Pipe Gasket 6"	2	2

(1) Combustion chamber part No. 7090-005 may be ordered separately.

Date: 4-18-90
Supersedes:

FUNCTIONAL COMPONENTS



Date: 4-18-90
Supersedes:

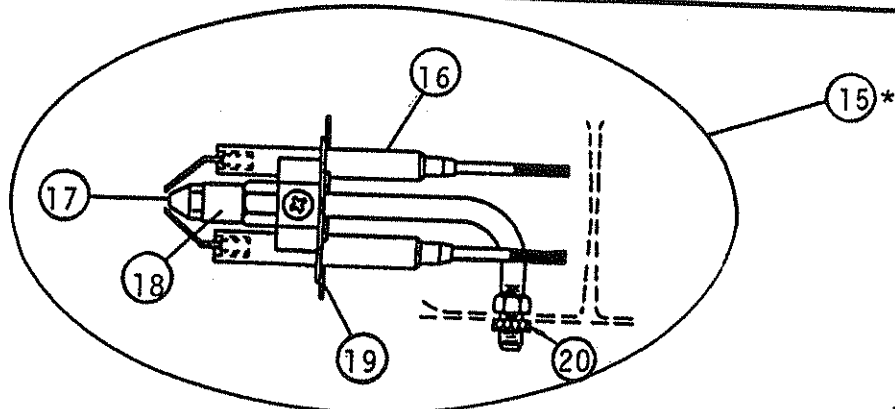
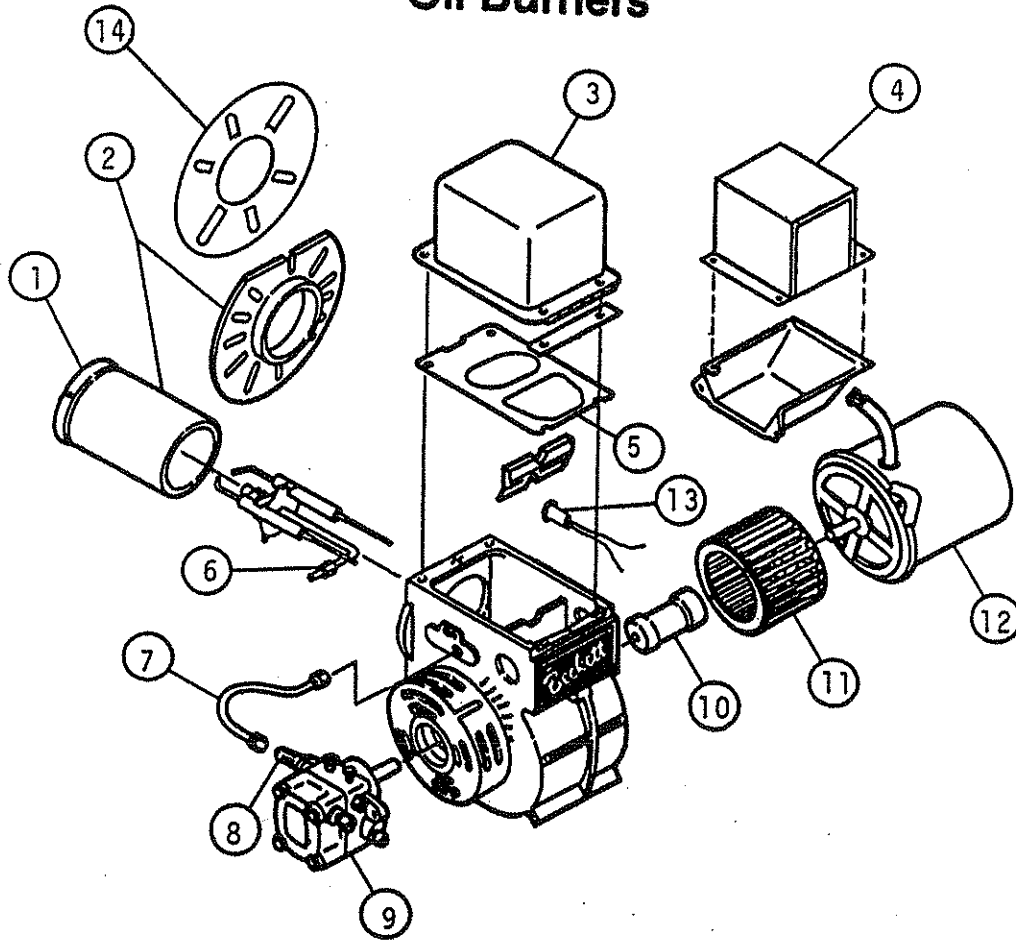
FUNCTIONAL COMPONENTS

Dwg. No.	Part No.	Description	ELR085D36A	ELR110D48A
1	900-157	Blower Assenbly	X	
1	900-158	Blower Assenbly		X
2	151-073	Blower Housing Assenbly	X	
2	151-082	Blower Housing Assenbly		X
3	5152-014	Blower Wheel	X	
3	5152-059	Blower Wheel		X
4	144-128	Diffuser	X	
4	144-129	Diffuser		X
5	8105-036	Motor 1/3 hp ccw	X	
5	8106-018	Motor 1/2 hp cw		X
6	8552-002	Capacitor 5/370	X	
6	8552-004	Capacitor 7.5/370		X
7	8200-034	Motor Mount Arn	3	3
8	8200-033	Motor Mount Band	X	X
9	9020-018	Oil Burner	X	X
10	7003-020	Permanent Filter 11.5 x 17 x 1	1	
10	7003-021	Permanent Filter 10 x 20 x 1		1
11	7003-016	Permanent Filter 13 x 20 x 1		1
11	7003-020	Permanent Filter 11.5 x 17 x 1	1	
12	8406-013	Door Switch	X	
12	8406-047	Door Switch		X
13	1171-025	Door Pull	2	2
14	1921-021	Front Plate Gasket	X	X
15	142-027	Inspection Door Hinge	X	X
16	8201-006	Fan Center (2 speed relay)	X	X
17	8614-001	Front Junction Box	X	X
18	8402-042	Fan/Limit Control	X	X
19	8601-031	Barometric Damper	X	X
20	1171-012	Flush Cabinet Latch	X	X
21	9011-001	Nozzle .75 GPH 80 Degree	X	
21	9011-003	Nozzle 1.00 GPH 80 Degree		1
22	142-026	Inspection Door Cover	X	X
23	104-783	Blower Angles	2	2

Date: 4-18-90
Supersedes:

Burner Replacement Parts

Oil Burners



Nozzle Line Electrode Assembly

*Nozzle is not included in assembly.

Date: 4-18-90
Supersedes:

BURNER COMPONENTS

Dwg. No.	Part No.	Beckett Part No.	Description	FLR085D36A	FLR110D48A
1	9022-003	F3	Head	X	X
2	9022-019	581196BK	Air Tube and Flange Assembly 7-1/4"	X	X
3	9022-022	5878U	Transformer w/Gasket AFG	X	X
4	9022-005	7296U	Primary Control	X	X
5	9022-006	31405	Transformer Gasket	X	X
6	9022-007	571801	Bulkhead Fitting	X	X
7	9022-008	5636	Connector Tube	X	X
8	9022-009	2256	Pump Outlet Elbow	X	X
9	9022-010	2460U	Pump, Single Stage	X	X
10	9022-011	2454	Coupling	X	X
11	9022-012	2459U	Blower	X	X
12	9022-013	2456U	Motor 1/7 HP 3450 RPM	X	X
13	9022-020	5963001	Cad Cell	X	X
14	9022-024	3616	Mounting Flange Gasket	X	X
15	9022-015	NL72YH	Nozzle Line Electrode Assembly	X	X
16	9022-017	5780	Electrode Insulator Assembly	X	X
17	9011-001		Nozzle .75 GPH 80 degree A	X	
17	9011-003		Nozzle 1.00 GPH 80 degree A		X
18	9022-016	213U	Nozzle Adapter, Single	X	X
19	9022-023	3384P	Static Plate 3-3/8"	X	X
20	9022-018	3666	Bulkhead Fitting Locknut	X	X

Date: 4-18-90
Supersedes: