

# REPLACEMENT PARTS MANUAL

## OIL FIRED FURNACE MODELS FC085D36A

Manual 2110-910

Revision B

Date 12-03-91

Supersedes 9-23-91

\*\*\*\*\*  
\* GENERAL NOTES \*  
\*\*\*\*\*

\*Revised and/or additional pages may be issued from time to time.  
\*A complete and current manual consists of pages dated as shown in the following index.

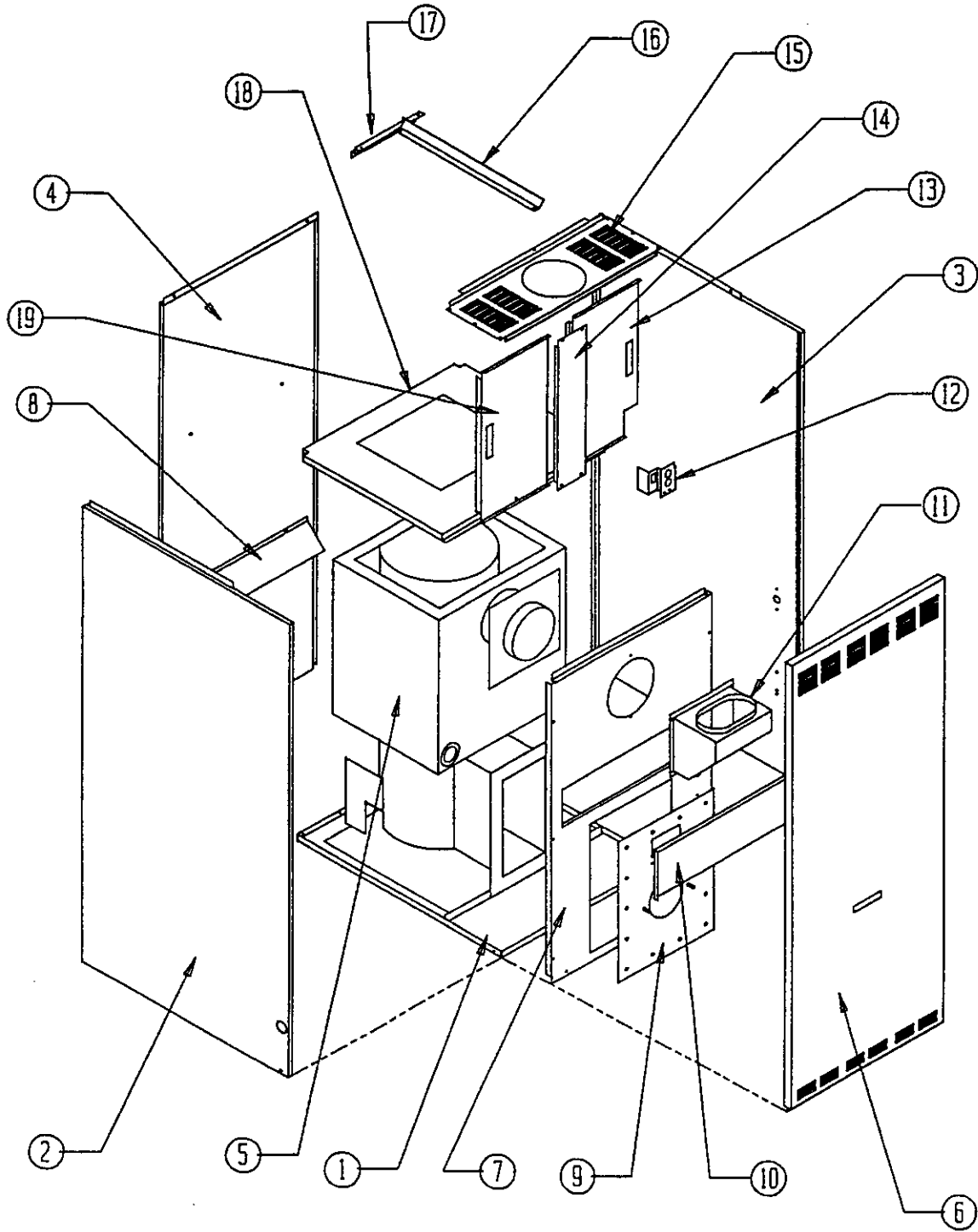
\*\*\*\*\*  
\*\* INDEX \*\*  
\*\*\*\*\*

<u>Page Description</u>	<u>Page</u>	<u>Date</u>	<u>Supersedes</u>
Cabinet Components--Exploded View	1	9-23-91	1-03-91
" " --Usage List	2	9-23-91	1-03-91
Functional Components--Exploded View	3	9-23-91	1-03-91
" " --Usage List	4	1-03-91	
Burner Components--Layout	5	12-03-91	1-03-91
" " --Usage List	6	12-03-91	1-03-91

\*\*\*\*\*  
\*\*\* IMPORTANT \*\*\*  
\*\*\*\*\*

Contact the installing and/or local Bard distributor for all parts requirements. Make sure you have the complete model and serial number available from the unit rating plate.

CABINET COMPONENTS



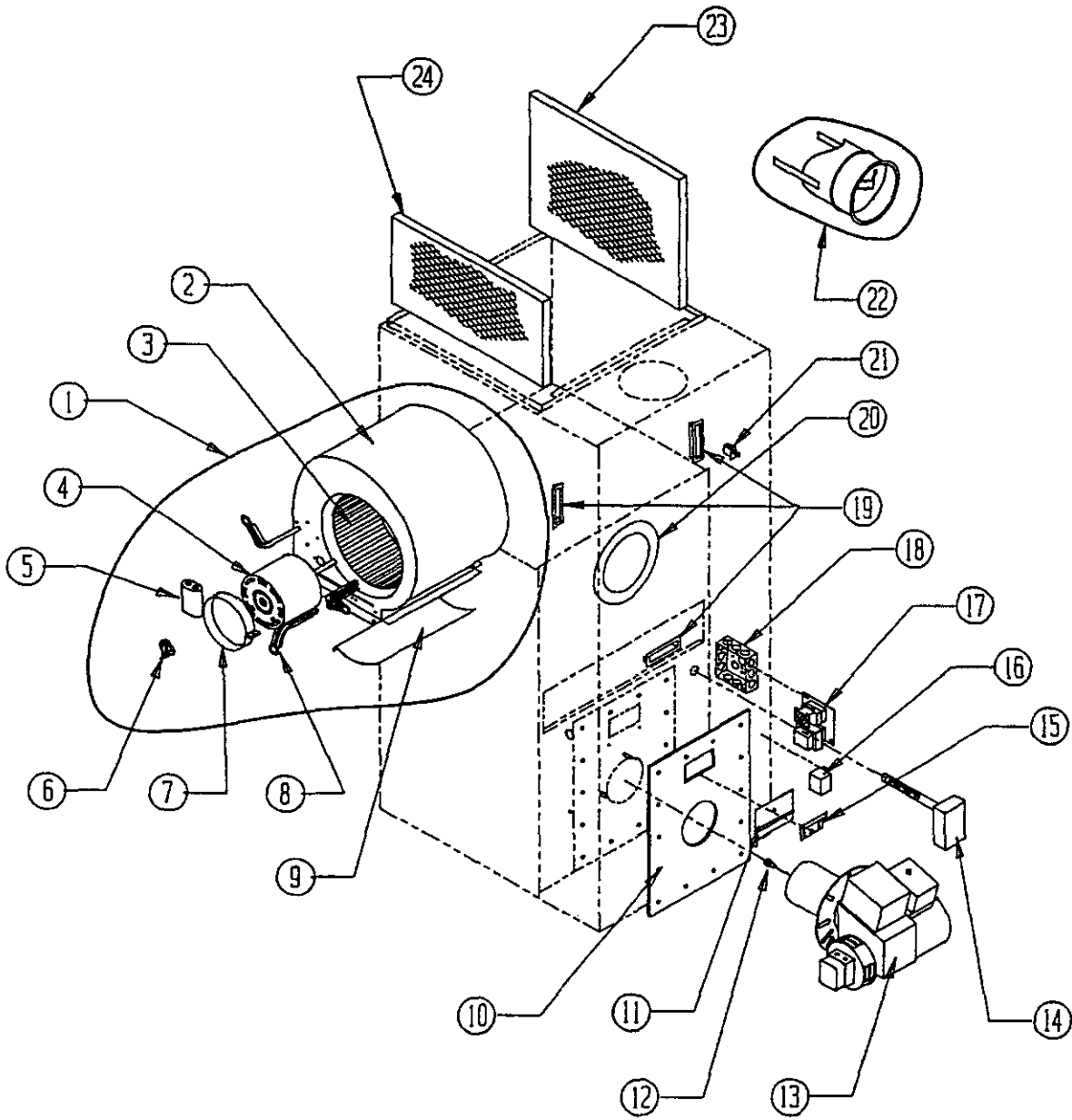
Date: 9-23-91  
Supersedes: 1-03-91

CABINET COMPONENTS

Dwg. No.	Part No.	Description	FC085D36A
1	127-177	Lower Base Assembly	X
2	501-219	Left Side Assembly	X
3	501-218	Right Side Assembly	X
4	508-084	Back Assembly	X
5	171-176	Heat Exchanger Assembly	X
6	152-193	Burner Door Assembly	X
7	520-196	Partition Assembly	X
8	134-111	Rear Air Deflector	X
9	161-027	Front Plate Weld Assembly	X
10	542-037	Clean Out Cover Assembly	X
11	913-0057	Flue Box Assembly	X
12	112Y028	Door Switch Bracket	X
13	152-194	Right Filter Door	X
14	152-196	Center Filter Access	X
15	107-127	Top Fill	X
16	130-023	Filter Support	X
17	130-062	Rear Filter Support	X
18	126-178	Blower Base	X
19	152-195	Left Filter Door	X

Date: 9-23-91  
 Supersedes: 1-03-91

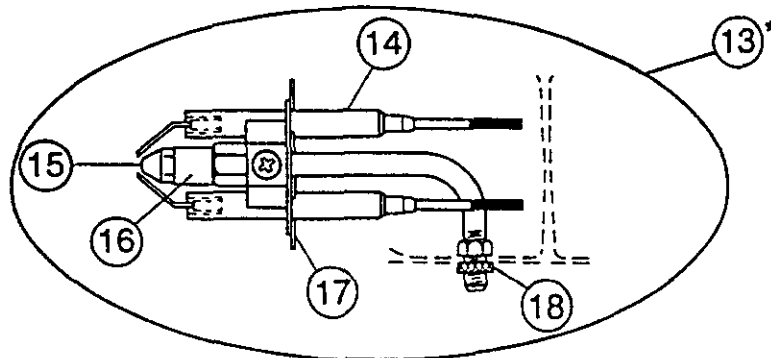
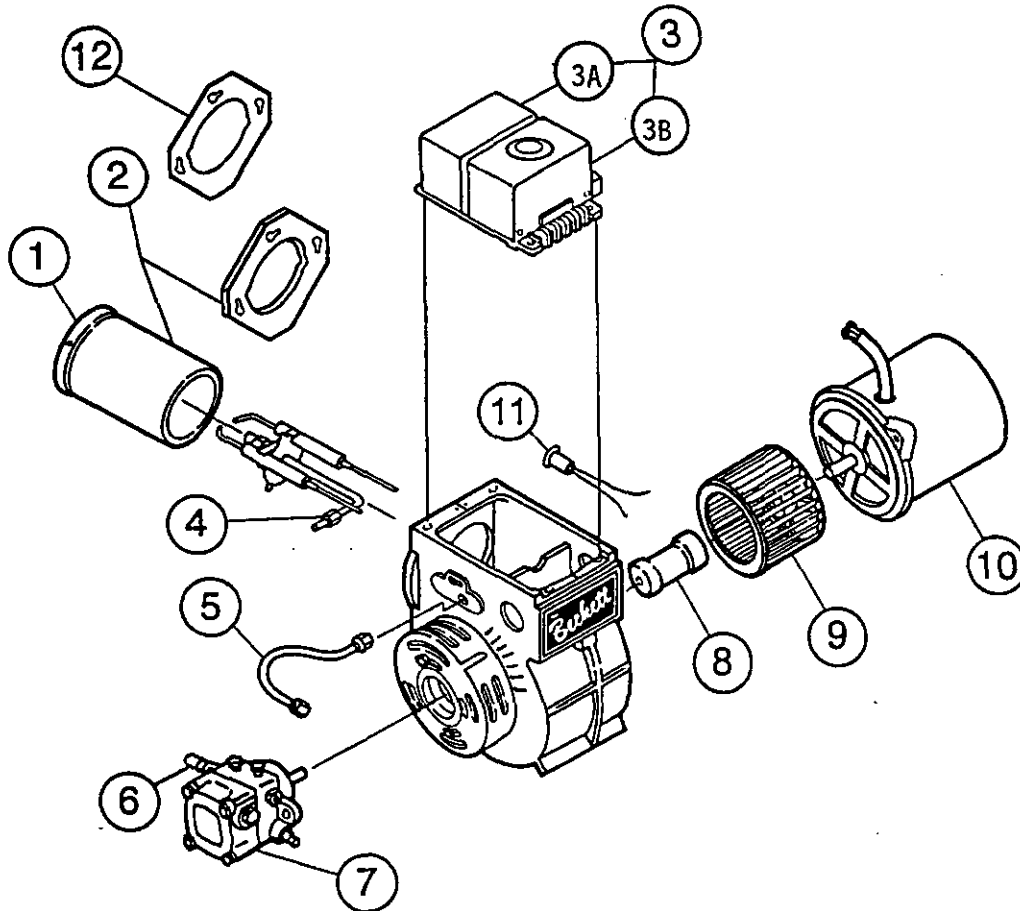
FUNCTIONAL COMPONENTS



Date: 9-23-91  
Supersedes: 1-03-91

### Burner Replacement Parts

#### Oil Burners



Nozzle Line Electrode Assembly

\*Nozzle is not included in assembly.

Date: 12-03-91  
Supersedes: 1-03-91

2110-910  
Page: 5

BURNER COMPONENTS

Dwg. No.	Bard Part No.	Supplier Part No.	Description	FC085D36A
1	9022-003	F3	Head	X
2	9022-004	51236007BK	Air Tube and Flange Assy. 7-5/8" Insertion	X
3	9022-036	40100-02-BK	Primary Control and Ignitor Assembly*	X
3A	9022-037	14280-SO-S	Interrupted Duty Ignitor Only	X
3B	9022-038	14290-02-AOS	Primary Control Only	X
4	9022-007	571801	Bulkhead Fitting	X
5	9022-008	5636	Connector Tube	X
6	9022-009	2256	Pump Outlet Elbow	X
7	9022-010	2460U	Pump, Single Stage	X
8	9022-011	2454	Coupling	X
9	9022-012	2459U	Blower	X
10	9022-013	2456U	Motor 1/7 HP 3450 RPM	X
11	9022-039	40153-SO-E	Cad Cell Assembly**	X
	9022-040	14407S	Cad Cell Eye Only	X
12	9022-021	3811	Mounting Flange Gasket	X
13	9022-014	NL90YH	Nozzle Line Electrode Assembly	X
14	9022-017	5780	Electrode Insulator Assembly	X
15	9011-001		Nozzle .75 GPH 80 degree A	X
16	9022-016	213U	Nozzle Adapter, Single	X
17	9022-023	3384P	Static Plate 3-3/8"	X
18	9022-018	3666	Bulkhead Fitting Locknut	X

\* Includes 9022-037 interrupted ignitor, 9022-038 primary control, and 9022-039 cad cell assembly.

\*\* Includes 9022-040 cad cell eye.

Date: 12-03-91  
Supersedes: 1-03-91

2110-910  
Page: 6