

# REPLACEMENT PARTS MANUAL

## OIL FIRED FURNACE MODELS FC085D36A

Manual 2110-910

Revision D

Date 01-15-93

Supersedes 04-06-92

\*\*\*\*\*  
\* GENERAL NOTES \*  
\*\*\*\*\*

\*Revised and/or additional pages may be issued from time to time.  
\*A complete and current manual consists of pages dated as shown in the following index.

\*\*\*\*\*  
\*\* INDEX \*\*  
\*\*\*\*\*

<u>Page Description</u>	<u>Page</u>	<u>Date</u>	<u>Supersedes</u>
Cabinet Components--Exploded View	1	4-06-92	9-23-91
" " --Usage List	2	1-15-93	4-06-92
Functional Components--Exploded View	3	4-06-92	9-23-91
" " --Usage List	4	4-06-92	1-03-91
Burner Components--Layout	5	12-03-91	1-03-91
" " --Usage List	6	12-03-91	1-03-91

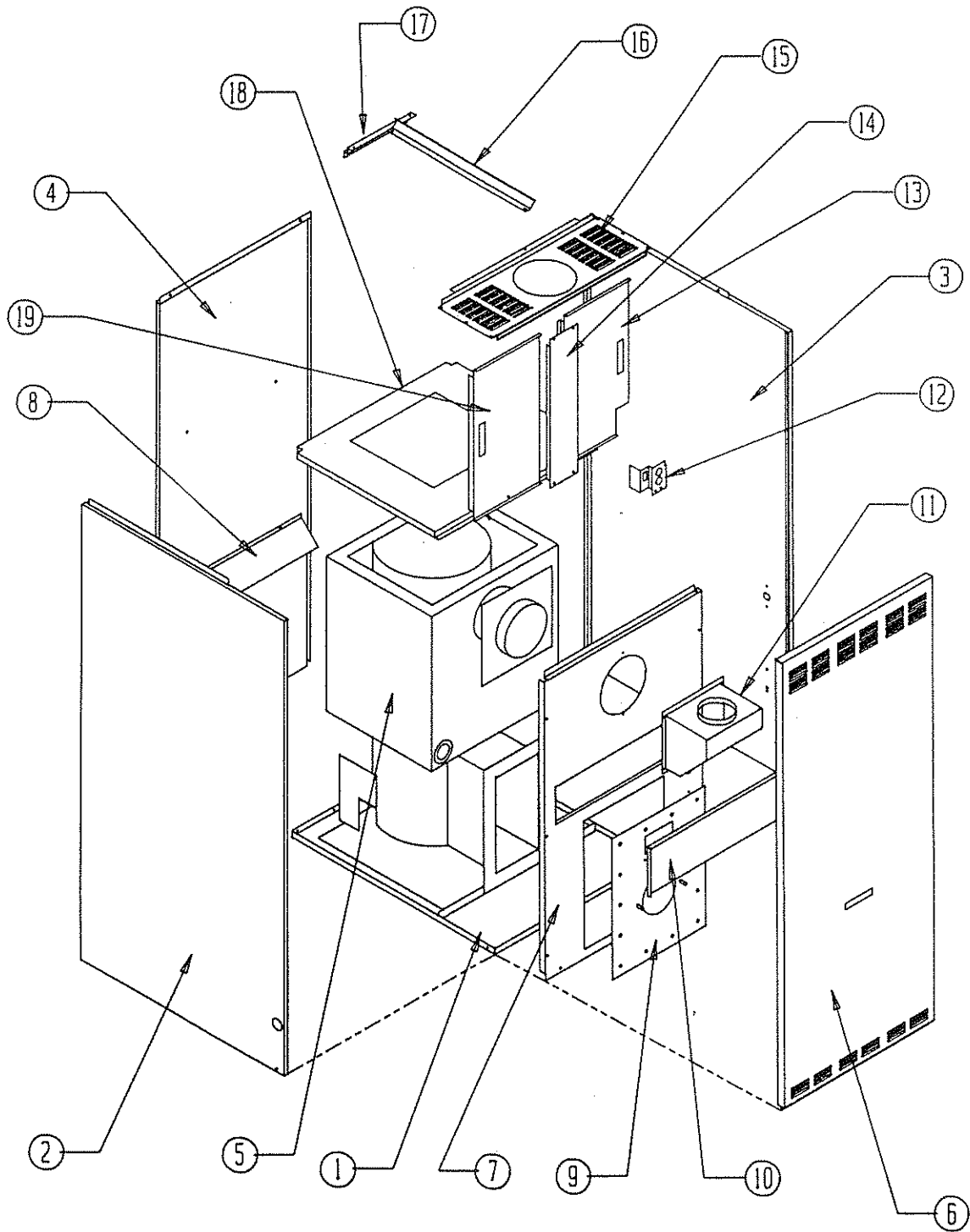
\*\*\*\*\*  
\*\*\* IMPORTANT \*\*\*  
\*\*\*\*\*

Contact the installing and/or local Bard distributor for all parts requirements. Make sure you have the complete model and serial number available from the unit rating plate.

BARD MANUFACTURING COMPANY

BRYAN, OHIO 43506

CABINET COMPONENTS



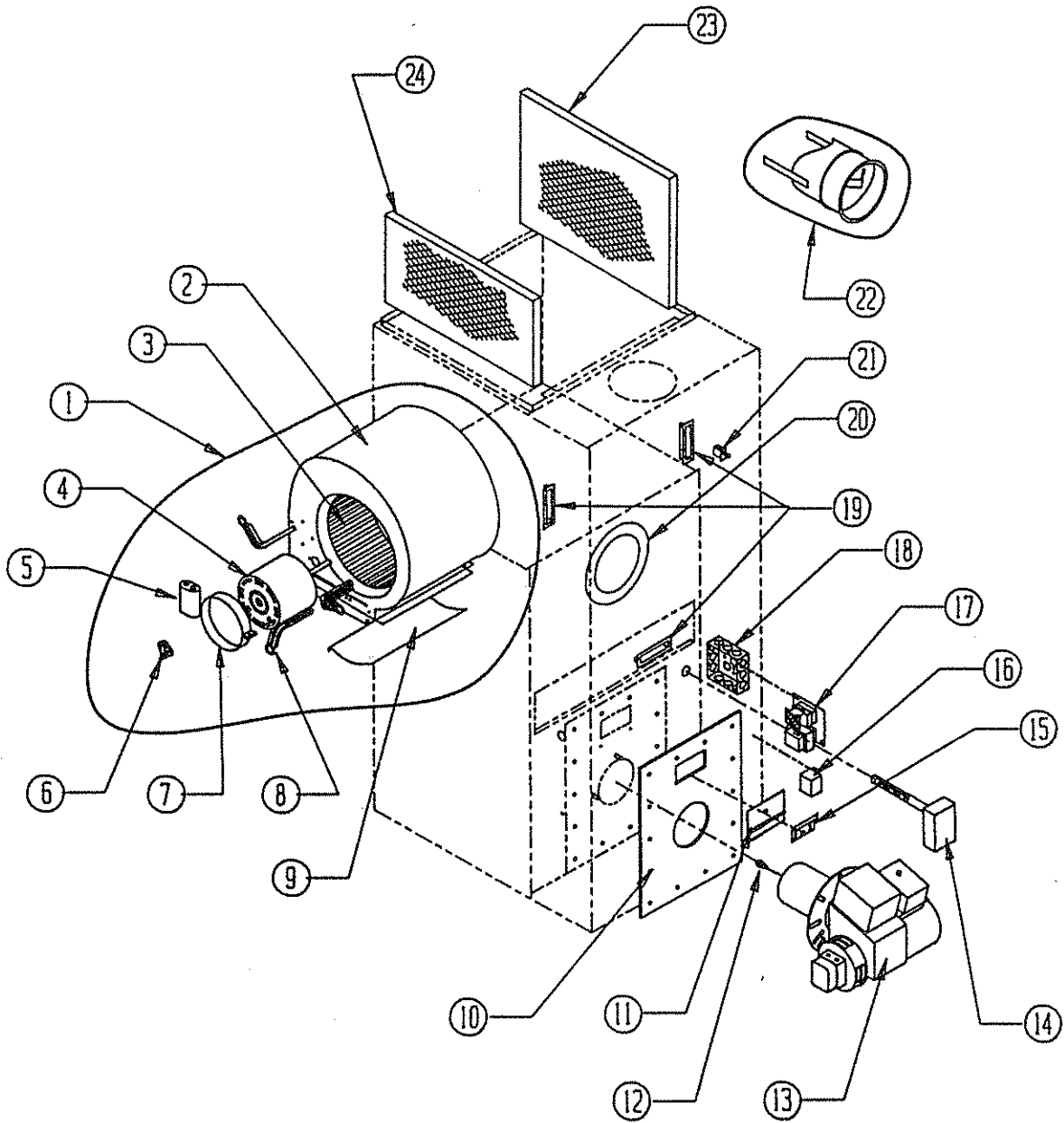
Date: 4-06-92  
Supersedes: 9-23-91

CABINET COMPONENTS

Dwg. No.	Part No.	Description	FC085D36A
1	127-177	Lower Base Assembly	X
2	501-219	Left Side Assembly	X
3	501-218	Right Side Assembly	X
4	508-084	Back Assembly	X
5	171-176	Heat Exchanger Assembly	X
6	152-193	Burner Door Assembly	X
7	520-226	Partition Assembly	X
8	134-111	Rear Air Deflector	X
9	161-027	Front Plate Weld Assembly	X
10	542-037	Clean Out Cover Assembly	X
11	913-0069	Flue Box Assembly	X
12	112Y028	Door Switch Bracket	X
13	152-194	Right Filter Door	X
14	152-196	Center Filter Access	X
15	107-127	Top Fill	X
16	130-023	Filter Support	X
17	130-062	Rear Filter Support	X
18	126-178	Blower Base	X
19	152-195	Left Filter Door	X

Date: 1-15-93  
 Supersedes: 4-06-92

FUNCTIONAL COMPONENTS



Date: 9-23-91  
Supersedes: 1-03-91

FUNCTIONAL COMPONENTS

Dwg. No.	Part No.	Description	FC085D36A
1	900-161	Blower Assembly	X
2	151-095	Blower Housing Spotweld Assembly	X
3	5152-014	Blower Wheel 10-9	X
4	8105-036	Motor 1/3 HP 115V CCW 1050 RPM	X
5	8552-002	Capacitor 5/370	X
6	8402-020	Limit Switch 135-120	X
7	8200-033	Motor Mount Band	X
8	8200-034	Motor Mount Arm	3
9	144-128	Diffuser	X
10	1921-021	Front Plate Ceramic Fiber Blanket	X
11	142-027	Inspection Door Hinge	X
12	9011-001	Nozzle .75 GPH 80 Degree Hollow	X
13	9020-017	AF Burner Assembly	X
14	912-0041	Fan and Limit Assembly	X
15	142-026	Inspection Door Cover Plate	X
16	8201-066	Heating Relay	X
17	8201-006	Fan Center (Two Speed Relay)	X
18	8614-039	4x4 Junction Box	X
19	1171-025	Flush Mount Door Pull	X
20	1921-006	Fiberfrax Gasket	X
21	8406-013	Panel Mount Door Switch	X
22	8601-031	RC6 Barometric Damper	X
23	7003-022	15x20x1 Permanent Filter	X
24	7003-021	10x20x1 Permanent Filter	X
25	8402-020	Upper Limit	X

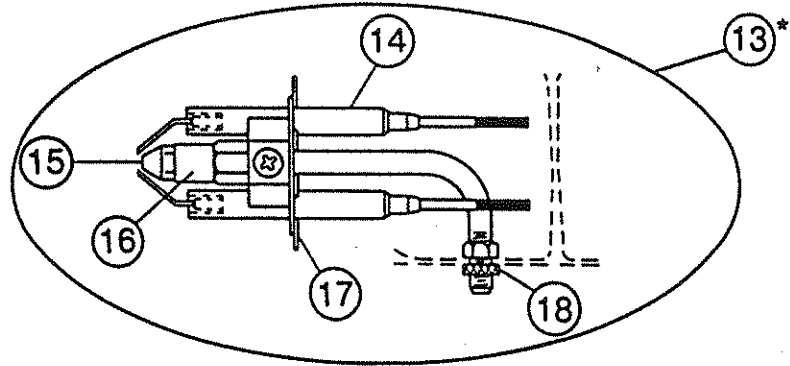
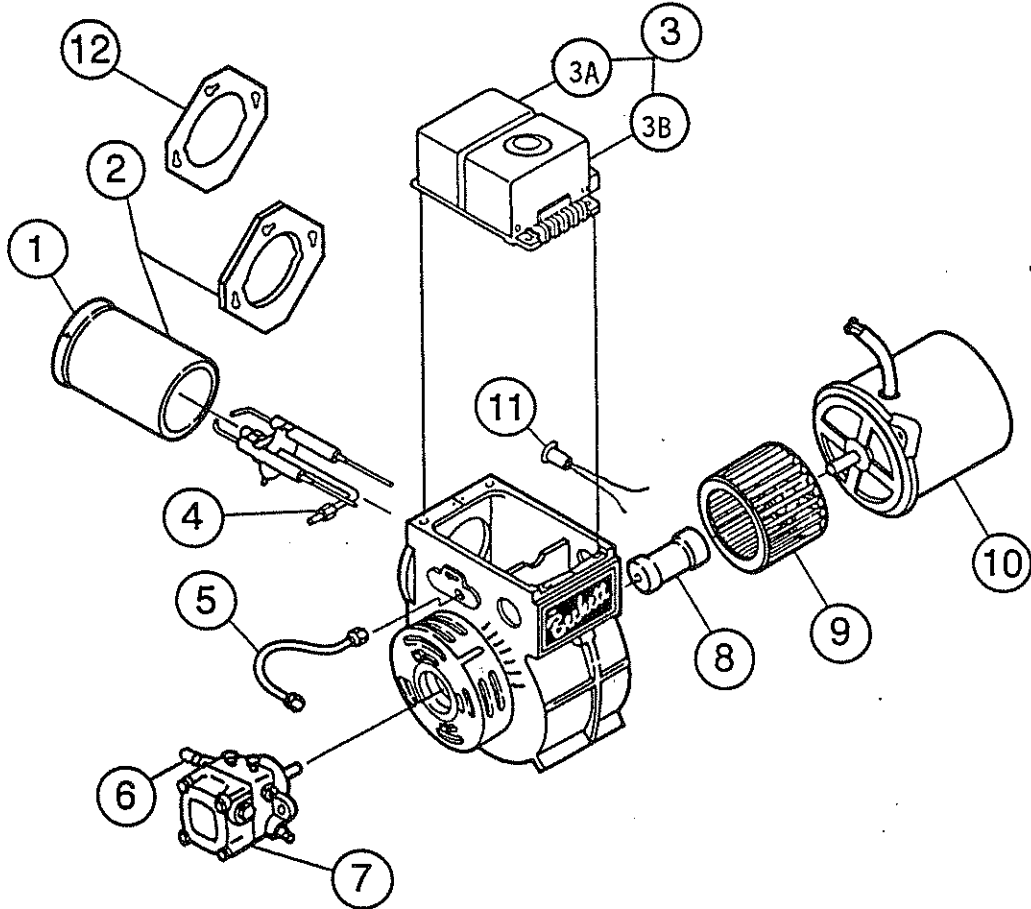
Date: 4-06-92  
Supersedes: 1-03-91

2110-910

Page: 4

## Burner Replacement Parts

### Oil Burners



Nozzle Line Electrode Assembly

\*Nozzle is not included in assembly.

Date: 12-03-91  
Supersedes: 1-03-91

2110-910

Page: 5

BURNER COMPONENTS

Dwg. No.	Bard Part No.	Supplier Part No.	Description	FC085D36A
1	9022-003	F3	Head	X
2	9022-004	51236007BK	Air Tube and Flange Assy. 7-5/8" Insertion	X
3	9022-036	40100-02-BK	Primary Control and Ignitor Assembly*	X
3A	9022-037	14280-SO-S	Interrupted Duty Ignitor Only	X
3B	9022-038	14290-02-AOS	Primary Control Only	X
4	9022-007	571801	Bulkhead Fitting	X
5	9022-008	5636	Connector Tube	X
6	9022-009	2256	Pump Outlet Elbow	X
7	9022-010	2460U	Pump, Single Stage	X
8	9022-011	2454	Coupling	X
9	9022-012	2459U	Blower	X
10	9022-013	2456U	Motor 1/7 HP 3450 RPM	X
11	9022-039	40153-SO-E	Cad Cell Assembly**	X
	9022-040	14407S	Cad Cell Eye Only	X
12	9022-021	3811	Mounting Flange Gasket	X
13	9022-014	NL90YH	Nozzle Line Electrode Assembly	X
14	9022-017	5780	Electrode Insulator Assembly	X
15	9011-001		Nozzle .75 GPH 80 degree A	X
16	9022-016	213U	Nozzle Adapter, Single	X
17	9022-023	3384P	Static Plate 3-3/8"	X
18	9022-018	3666	Bulkhead Fitting Locknut	X

\* Includes 9022-037 interrupted ignitor, 9022-038 primary control, and 9022-039 cad cell assembly.

\*\* Includes 9022-040 cad cell eye.

Date: 12-03-91  
Supersedes: 1-03-91

2110-910

Page: 6















