
REPLACEMENT PARTS MANUAL

OIL FIRED FURNACE

Model: **FC085D36C**

General Notes

- Revised and/or additional pages may be issued from time to time.
- A complete and current manual consists of pages shown in the following contents section.

Important

- Contact the installing and/or local Bard distributor for all parts requirements. Make sure you have the complete model and serial number available from the unit rating plate.

Contents

Description	Page
Cabinet Components	
♦ Exploded View	1
♦ Usage List	2
Functional Components	
♦ Exploded View	3
♦ Usage List	4
Burner Components	
♦ Layout View	5
♦ Usage List	6
Burner / Combustion Chamber Mounting System	
♦ Layout View	7
♦ Usage List	8

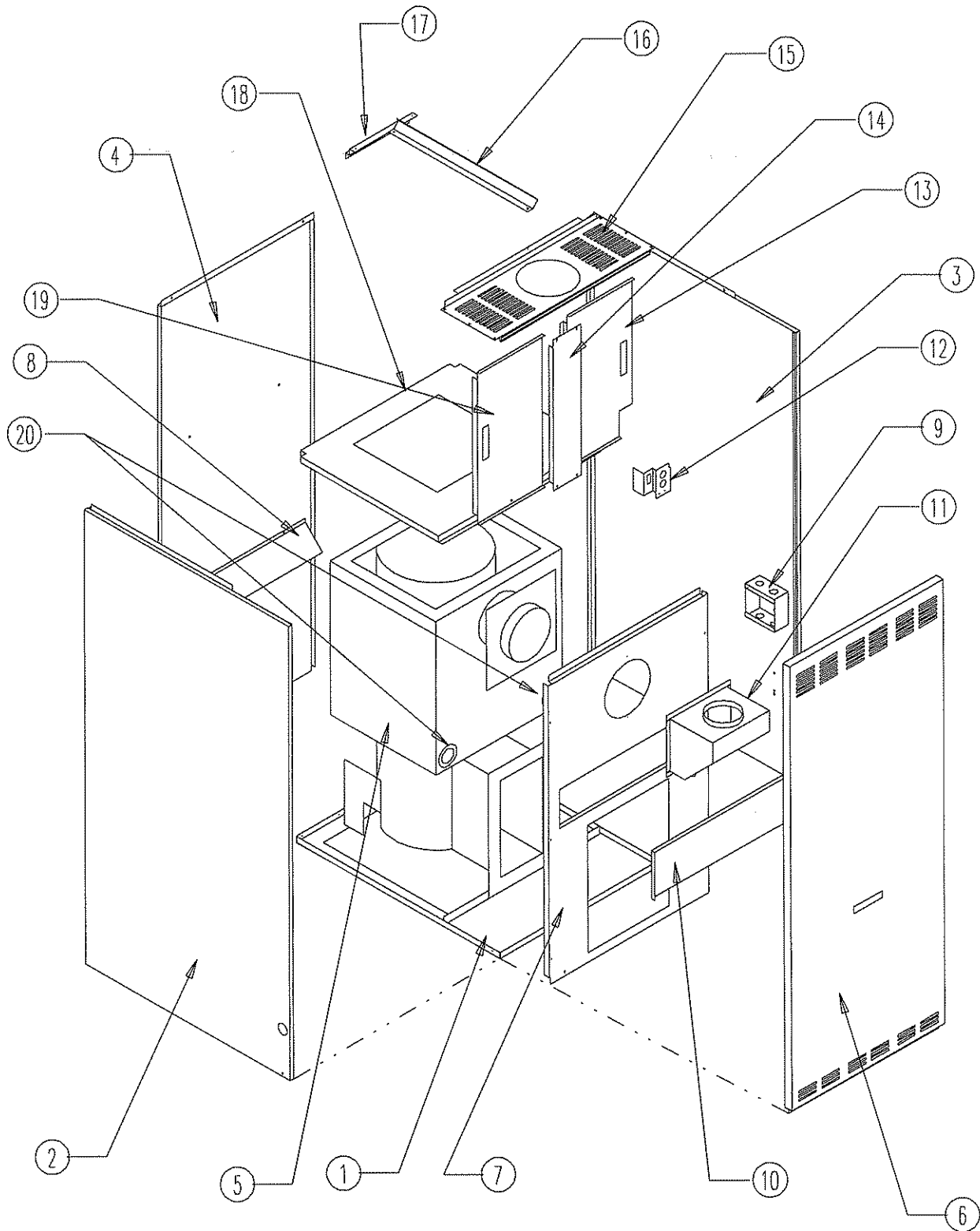


BARD MANUFACTURING COMPANY
Bryan, Ohio 43506

Since 1914...Moving ahead, just as planned.

Manual: 2110-913D
Supersedes: Rev. C
File:
Date: 12-11-98

CABINET COMPONENTS

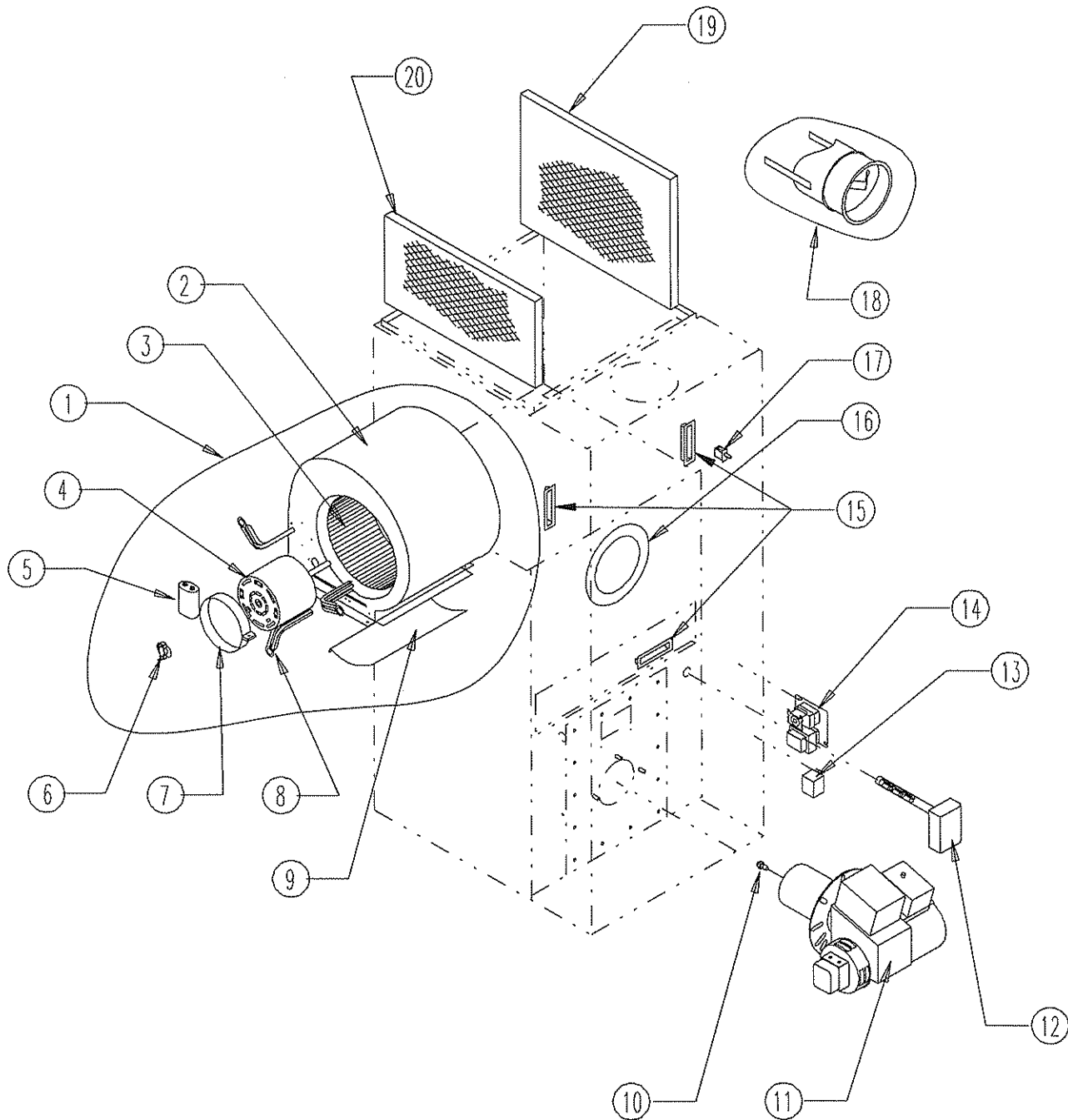


SEXP-133

CABINET COMPONENTS

Dwg. No.	Part No.	Description	FC085D36C
1	127-177	Lower Base Assembly	X
2	S501-219	Left Side Assembly (Furnace serial number required)	X
3	S501-218	Right Side Assembly (Furnace serial number required)	X
4	508-084	Back Assembly	X
5	S171-210	Heat Exchanger Assembly	X
6	S152-193	Burner Door Assembly	X
7	S520-226	Partition Assembly	X
8	134-111	Rear Air Deflector	X
9	116-157	Junction Box	X
10	542-037	Clean Out Cover Assembly	X
11	913-0069	Flue box Assembly	X
12	112-172	Door Switch Bracket	X
13	S152-230	Right Filter Door	X
14	152-196	Center Filter Access	X
15	107-127	Top Fill	X
16	130-023	Filter Support	X
17	130-062	Rear Filter Support	X
18	126-178	Blower Base	X
19	152-195	Left Filter Door	X
20	8620-007	Clear Out Plug and Gasket	2
20	1921-038	Clear Out Gasket Only	2

FUNCTIONAL COMPONENTS



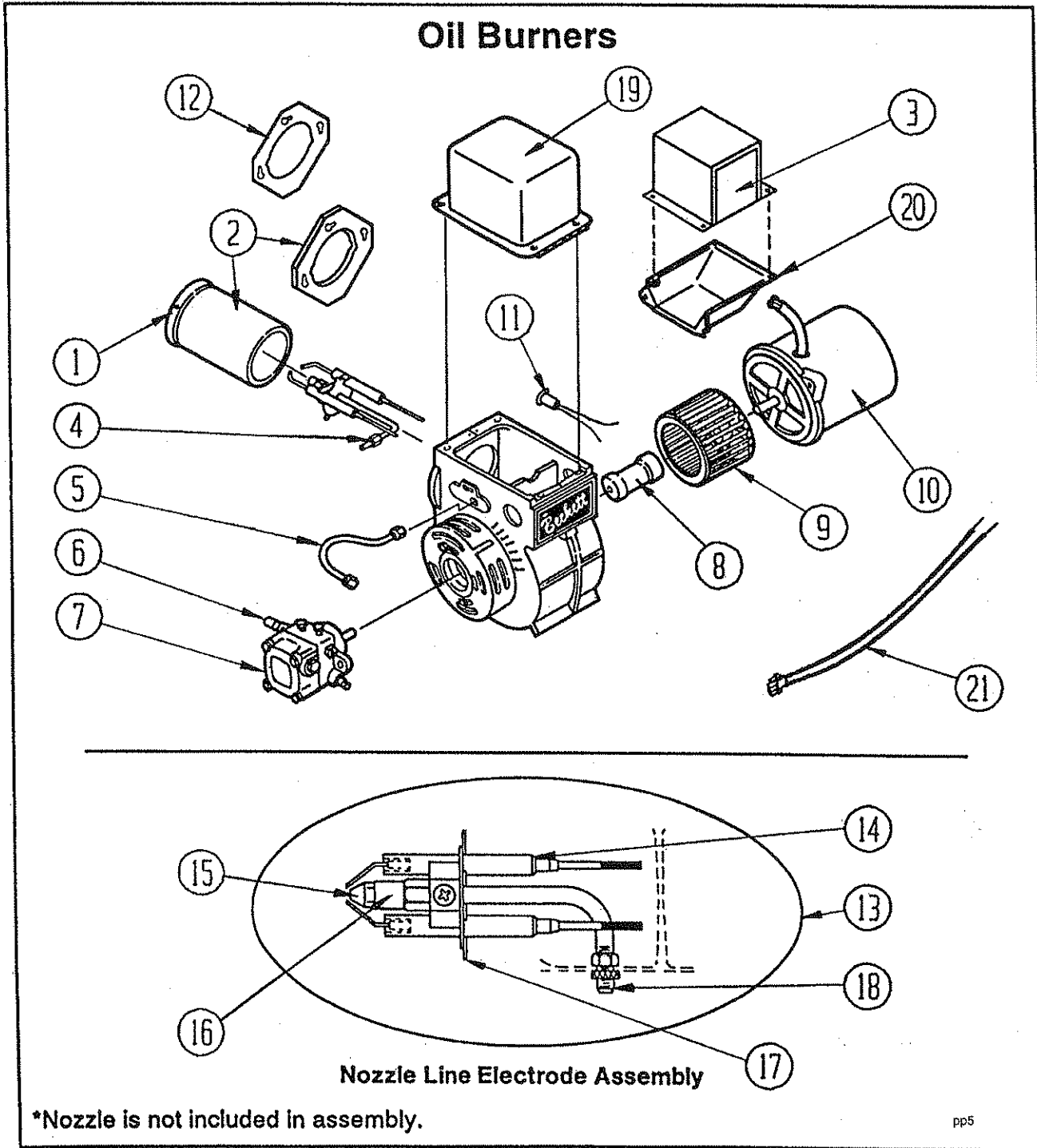
SEXP-134

FUNCTIONAL COMPONENTS

Dwg. No.	Part No.	Description	FC085D36C
1	900-196	Blower Assembly	X
2	151-095	Blower Housing Spotweld Assembly	X
3	5152-014	Blower wheel 10-9	X
4	8105-040	Motor 1/3 HP 115V CCW 1050 RPM	X
5	8552-002	Capacitor 5/370	X
6	8402-020	Limit Switch 135-120	X
7	8200-033	Motor Mount Band	X
8	8200-034	Motor Mount Arm	3
9	144-128	Diffuser	X
10	9011-001	Nozzle .75 GPH 80 degree Hollow	X
11	901-0106	AF Burner Assembly (includes nozzle part no. 9011-001)	X
12	8620-082	Fan and Limit Assembly	X
13	8201-066	Heating Relay	X
14	8201-006	Fan Center (Two Speed Relay)	X
15	1171-025	Flush Mount Door Pull	X
16	1921-037	Fiberfrax Gasket	X
17	8406-047	Panel Mount Door Switch	X
18	8601-031	RC6 Barometric Damper	X
19	7003-022	15 x 20 x 1 Washable Filter	X
20	7003-021	10 x 20 x 1 Washable Filter	X
NS	4047-113	Wire Diagram	X

NS Not Shown

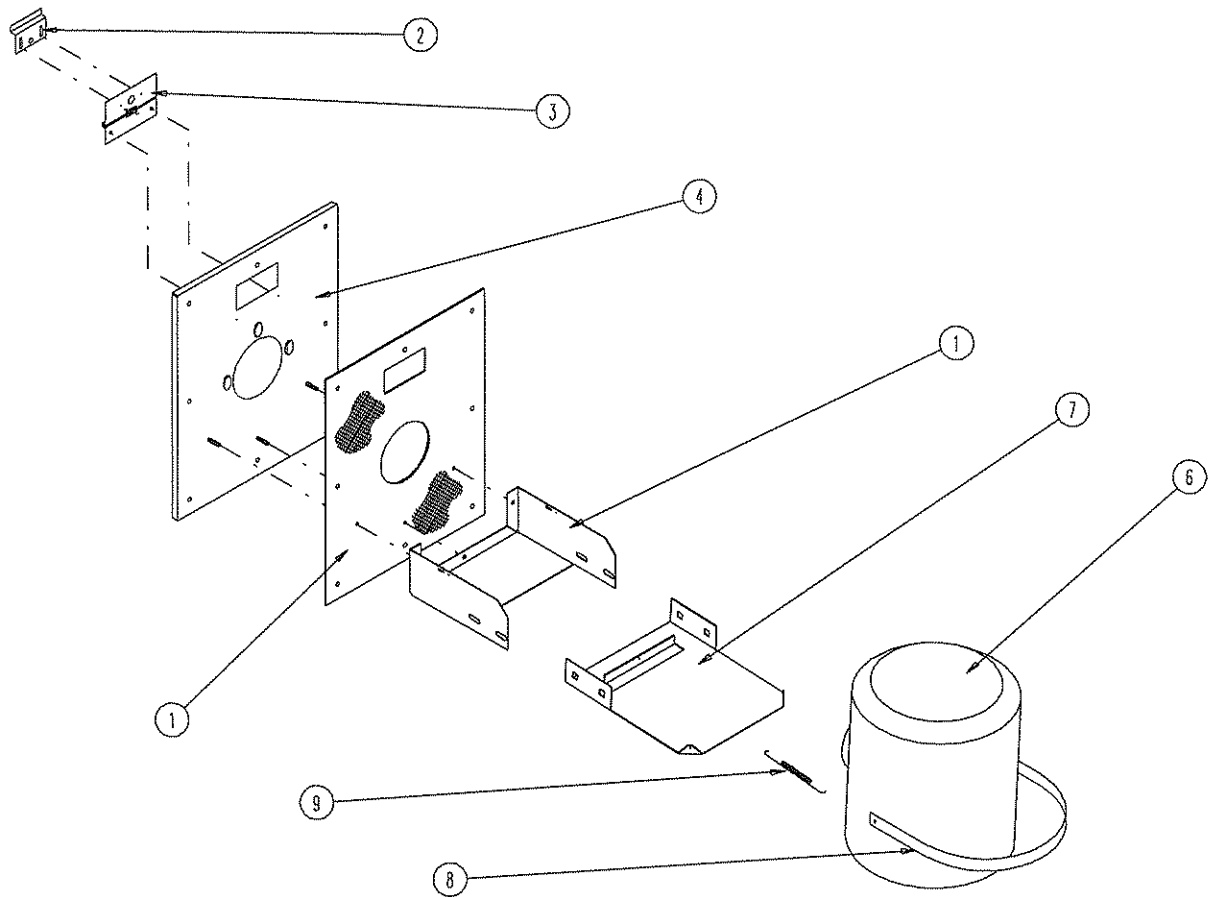
Burner Replacement Parts



BURNER COMPONENTS

Drawing No.	Bard Part No.	Supplier Part No.	Description	FC085D36C
1	9022-003	F3	Head	X
2	9022-004	51236007BK 7-5/8" Insertion	Air Tube and Flange Assembly	X
3	9022-056	7022U	Primary Control	X
4	9022-007	571801	Bulkhead Fitting	X
5	9022-008	5636	Connector Tube	X
6	9022-009	2256	Pump Outlet Elbow	X
7	9022-010	2460U	Pump, Single Stage	X
8	9022-011	2454	Coupling	X
9	9022-012	2459U	Blower	X
10	9022-013	2456U	Motor 1/7 HP 3450 RPM	X
11	9022-054	7006U	Cad Cell	X
12	9022-021	3811	Mounting Flange Gasket	X
13	9022-014	NL90YH	Nozzle Line Electrode Assembly	X
14	9022-017	5780	Electrode Insulator Assembly	X
15	9011-001		Nozzle .75 GPH 80 degree A	X
16	9022-016	213U	Nozzle Adapter Single	X
17	9022-023	3384P	Static Plate 3-3/8"	X
18	9022-018	3666	Bulkhead Fitting Locknut	X
19	9022-057	2442U	Ignition Transformer	X
20	9022-058	5770	Electrical Box Kit	X
21	9022-055	31838	Power Cord	X

BURNER/COMBUSTION CHAMBER MOUNTING SYSTEM



SEXP-197

BURNER/COMBUSTION CHAMBER MOUNTING SYSTEM

Dwg. No.	Part No.	Description	FC085D36C
1	112-159	Combustion Chamber Bracket	X
2	142-026	Inspection Door Cover Plate	X
3	142-027	Inspection Door Hinge	X
4	161-033	Front Plate Assembly	X
5	1921-026	Front Plate Gasket	X
6	7090-005	Combustion Chamber	X
7	S112-160	Bracket Extension	X
8	140-198	Combustion Chamber Support	X
9	5401-004	Stainless Steel Spring	X
	S173-076	Complete Assembly of All Parts	X