

# REPLACEMENT PARTS MANUAL

## OIL FIRED FURNACE MODELS: FC085D36C

Manual 2110-913      Revision      Date 07-15-93      Supersedes

\*\*\*\*\*  
\* GENERAL NOTES \*  
\*\*\*\*\*

\*Revised and/or additional pages may be issued from time to time.  
\*A complete and current manual consists of pages dated as shown in the following index.

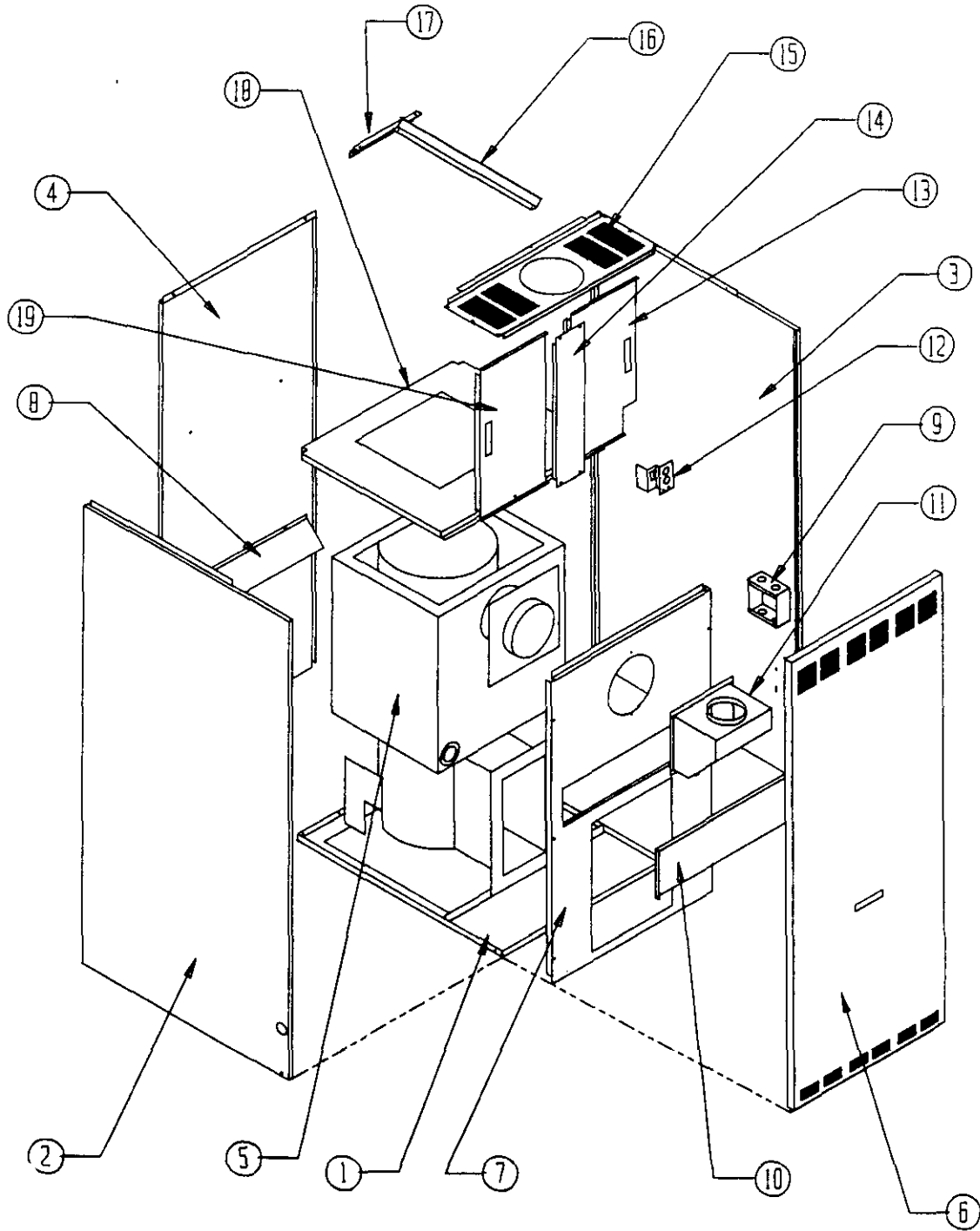
\*\*\*\*\*  
\*\* INDEX \*\*  
\*\*\*\*\*

<u>Page Description</u>	<u>Page</u>	<u>Date</u>	<u>Supersedes</u>
Cabinet Components--Layout	1	7-15-93	
"          "      --Usage List	2	7-15-93	
Functional Components--Layout	3	7-15-93	
"          "      --Usage List	4	7-15-93	
Burner Components--Layout	5	7-15-93	
"          "      --Usage List	6	7-15-93	
Burner/Combustion Chamber Mounting System--Layout	7	7-15-93	
"          "          "          "          "      --Usage	8	7-15-93	

\*\*\*\*\*  
\*\*\* IMPORTANT \*\*\*  
\*\*\*\*\*

Contact the installing and/or local Bard distributor for all parts requirements. Make sure you have the complete model and serial number available from the unit rating plate.

CABINET COMPONENTS



Date: 7-15-93  
Supersedes:

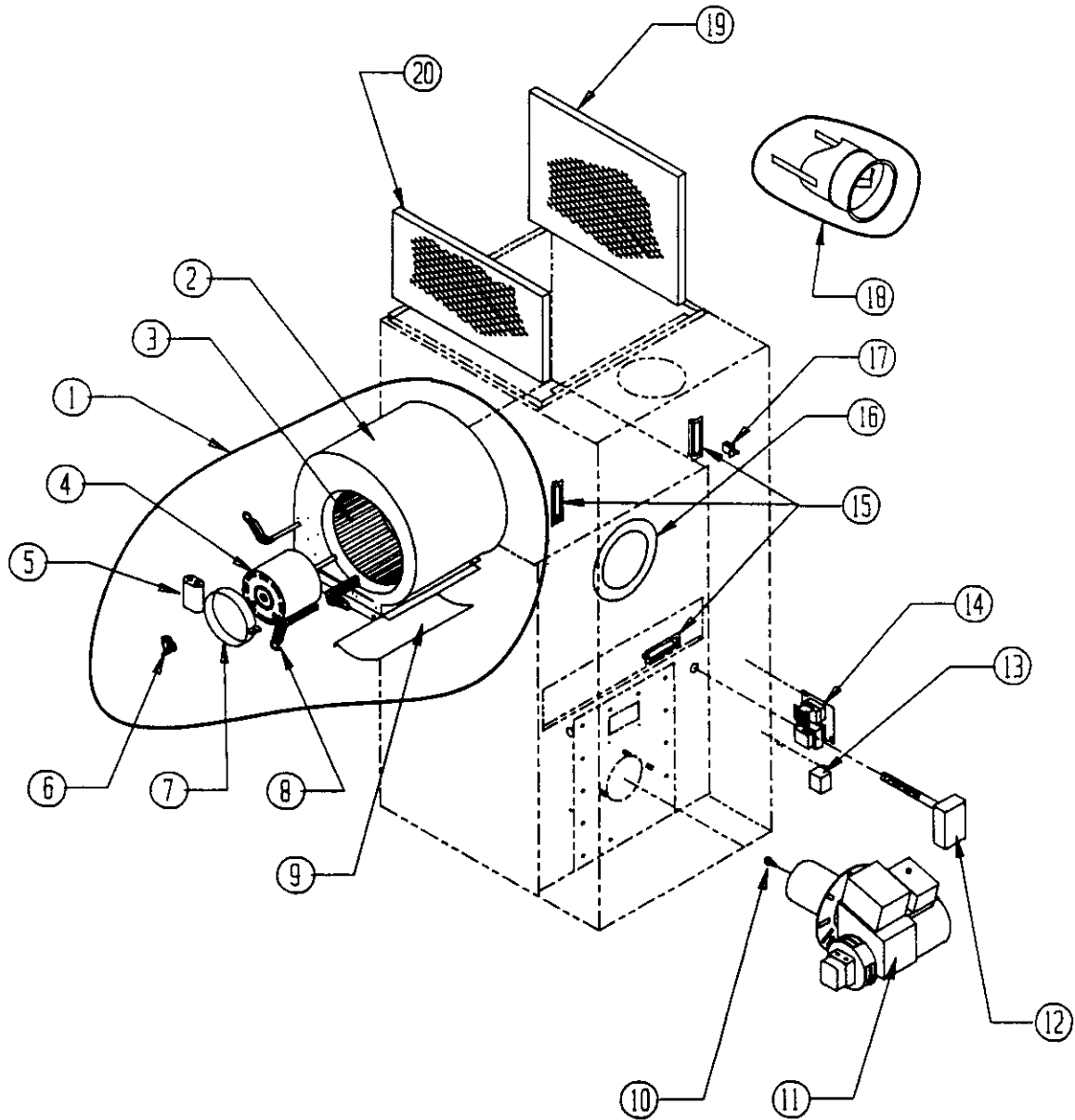
CABINET COMPONENTS

Dwg. No.	Part No.	Description	FC085D36C
1	127-177	Lower Base Assembly	X
2	S501-219	Left Side Assembly (Furnace serial number required)	X
3	S501-218	Right Side Assembly (Furnace serial number required)	X
4	508-084	Back Assembly	X
5	171-210	Heat Exchanger Assembly	X
6	S152-193	Burner Door Assembly	X
7	S520-226	Partition Assembly	X
8	134-111	Rear Air Deflector	X
9	116-157	Junction Box	X
10	542-037	Clean Out Cover Assembly	X
11	913-0069	Flue Box Assembly	X
12	112-172	Door Switch Bracket	X
13	S152-230	Right Filter Door	X
14	152-196	Center Filter Access	X
15	107-127	Top Fill	X
16	130-023	Filter Support	X
17	130-062	Rear Filter Support	X
18	126-178	Blower Base	X
19	152-195	Left Filter Door	X

Date: 7-15-93  
 Supersedes:

2110-913

FUNCTIONAL COMPONENTS



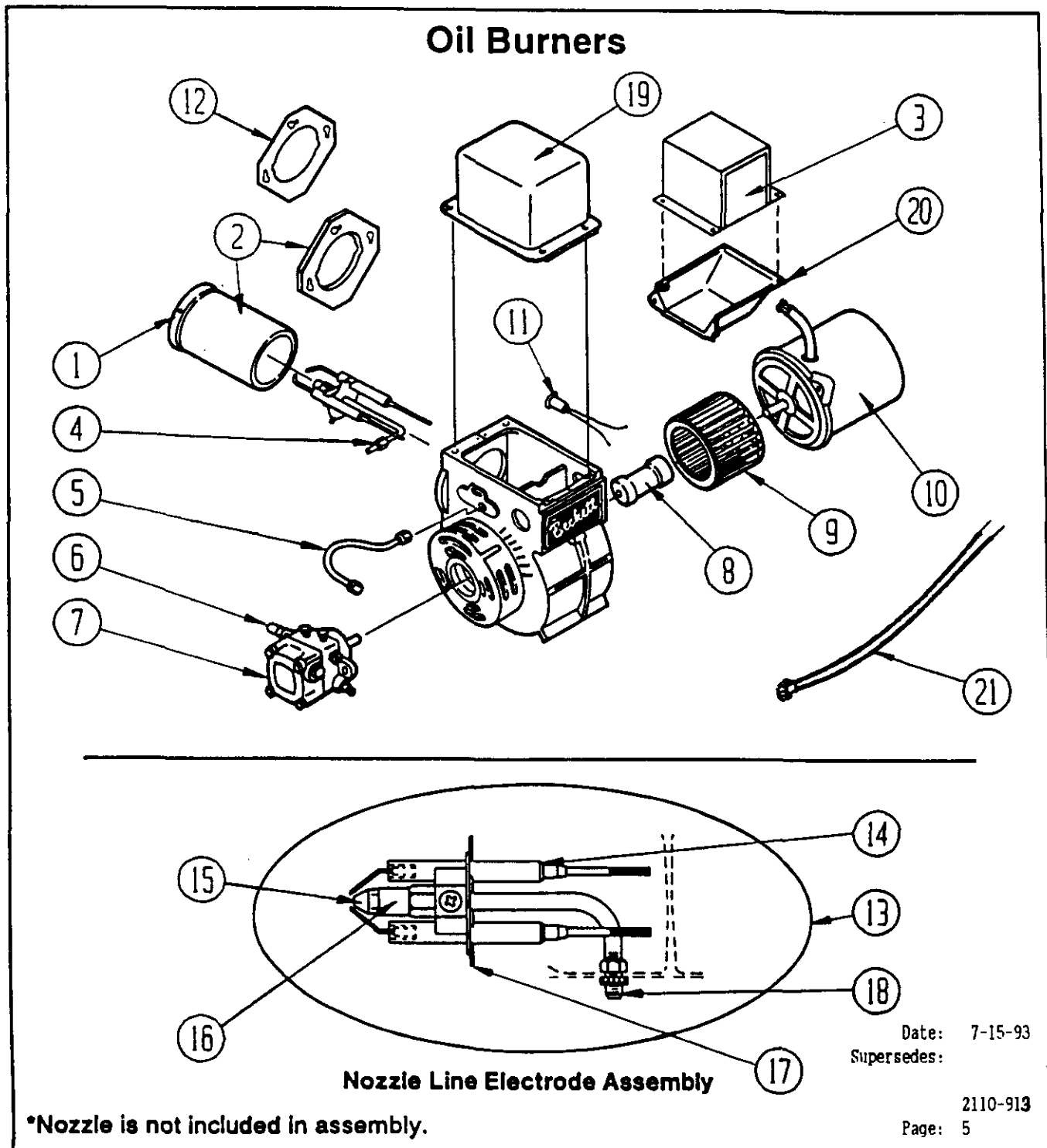
Date: 7-15-93  
Supersedes:

FUNCTIONAL COMPONENTS

Dwg. No.	Part No.	Description	FC085036C
1	900-196	Blower Assembly	X
2	151-095	Blower Housing Spotweld Assembly	X
3	5152-014	Blower Wheel 10-9	X
4	8105-040	Motor 1/3 HP 115V CCW 1050 RPM	X
5	8552-002	Capacitor 5/370	X
6	8402-020	Limit Switch 135-120	X
7	8200-033	Motor Mount Band	X
8	8200-034	Motor Mount Arm	3
9	144-128	Diffuser	X
10	9011-001	Nozzle .75 GPH 80 Degree Hollow	X
11	901-0106	AF Burner Assembly (Includes nozzle part No. 9011-001)	X
12	S912-0049	Fan and Limit Assembly	X
13	8201-066	Heating Relay	X
14	8201-006	Fan Center (Two Speed Relay)	X
15	1171-025	Flush Mount Door Pull	X
16	1921-006	Fiberfrax Gasket	X
17	8406-047	Panel Mount Door Switch	X
18	8601-031	RC6 Barometric Damper	X
19	7003-022	15x20x1 Permanent Filter	X
20	7003-021	10x20x1 Permanent Filter	X
	4047-113	Wire Diagram	X

Date: 7-15-93  
Supersedes:

## Burner Replacement Parts

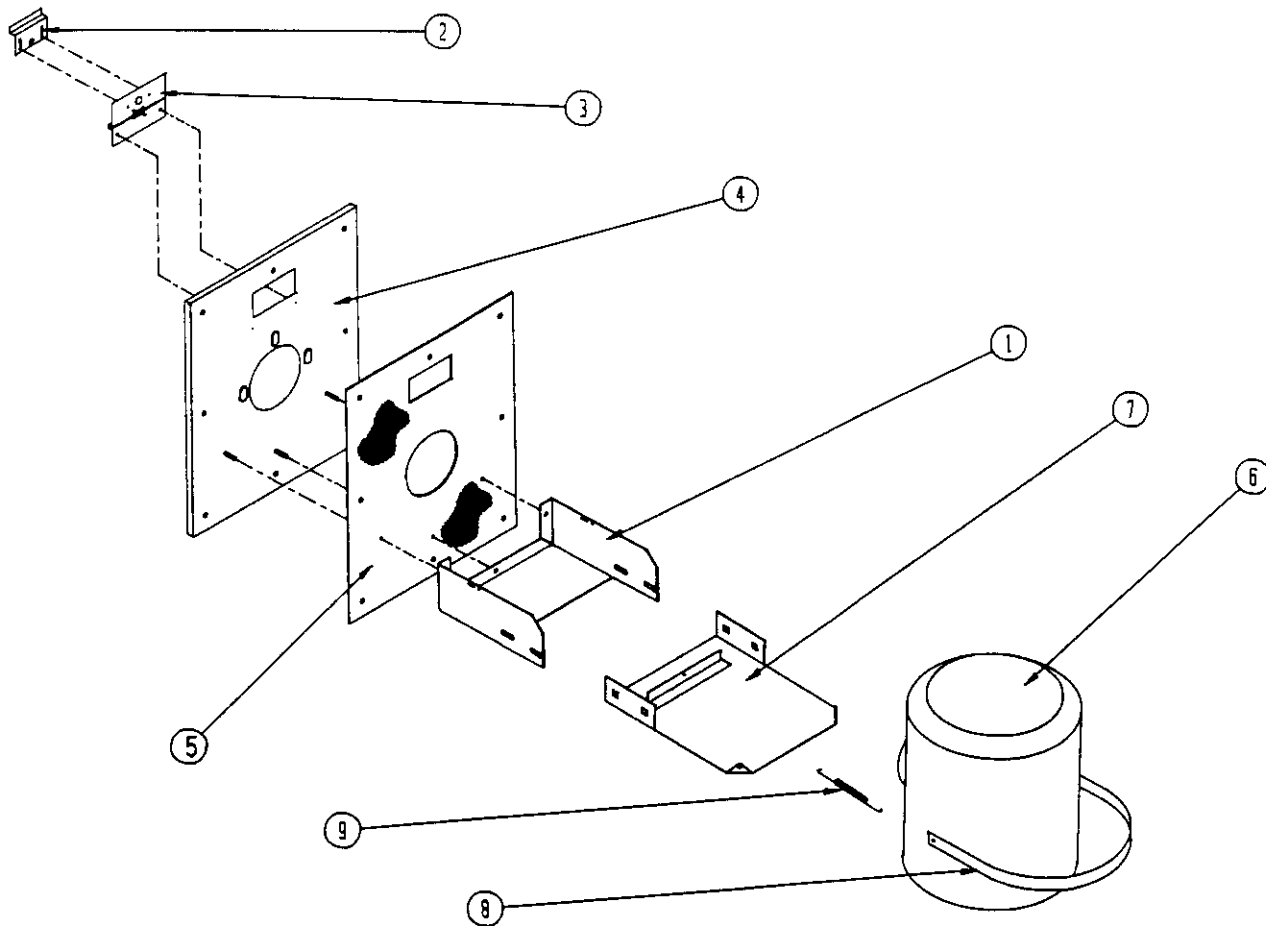


BURNER COMPONENTS

Dwg. No.	Bard Part No.	Supplier Part No.	Description	EC085D36C
1	9022-003	F3	Head	X
2	9022-004	51236007BK	Air Tube and Flange Assy. 7-5/8" Insertion	X
3	9022-056	7022U	Primary Control	X
4	9022-007	571801	Bulkhead Fitting	X
5	9022-008	5636	Connector Tube	X
6	9022-009	2256	Pump Outlet Elbow	X
7	9022-010	2460U	Pump, Single Stage	X
8	9022-011	2454	Coupling	X
9	9022-012	2459U	Blower	X
10	9022-013	2456U	Motor 1/7 HP 3450 RPM	X
11	9022-054	7006U	Cad Cell	X
12	9022-021	3811	Mounting Flange Gasket	X
13	9022-014	NL90YE	Nozzle Line Electrode Assembly	X
14	9022-017	5780	Electrode Insulator Assembly	X
15	9011-001		Nozzle .75 GPH 80 degree A	X
16	9022-016	213U	Nozzle Adapter, Single	X
17	9022-023	3384P	Static Plate 3-3/8"	X
18	9022-018	3666	Bulkhead Fitting Locknut	X
19	9022-057	2442U	Iron Core Transformer	X
20	9022-058	5770	Electrical Box Kit	X
21	9022-055	31838	Power Cord	X

Date: 7-15-93  
Supersedes:

BURNER/COMBUSTION CHAMBER MOUNTING SYSTEM



Date: 7-15-93  
Supersedes:



BURNER/COMBUSTION CHAMBER MOUNTING SYSTEM

Dwg. No.	Bard Part No.	Description	FC085D36C
1	S112-159	Combustion Chamber Bracket	x
2	142-026	Inspection Door Cover Plate	x
3	142-027	Inspection Door Hinge	x
4	161-033	Front Plate Assembly	x
5	1921-026	Front Plate Gasket	x
6	7090-005	Combustion Chamber	x
7	112-160	Bracket Extension	x
8	140-198	Combustion Chamber Support	x
9	5401-004	Stainless Steel Spring	x

Date: 7-15-93  
Supersedes:

