

# REPLACEMENT PARTS MANUAL

## OIL FIRED FURNACE

MODELS: FLF085D36C, FLF110D48C

Manual 2110-914

Revision

Date 7-15-93

Supersedes

\*\*\*\*\*  
\* GENERAL NOTES \*  
\*\*\*\*\*

\*Revised and/or additional pages may be issued from time to time.  
\*A complete and current manual consists of pages dated as shown in the following index.

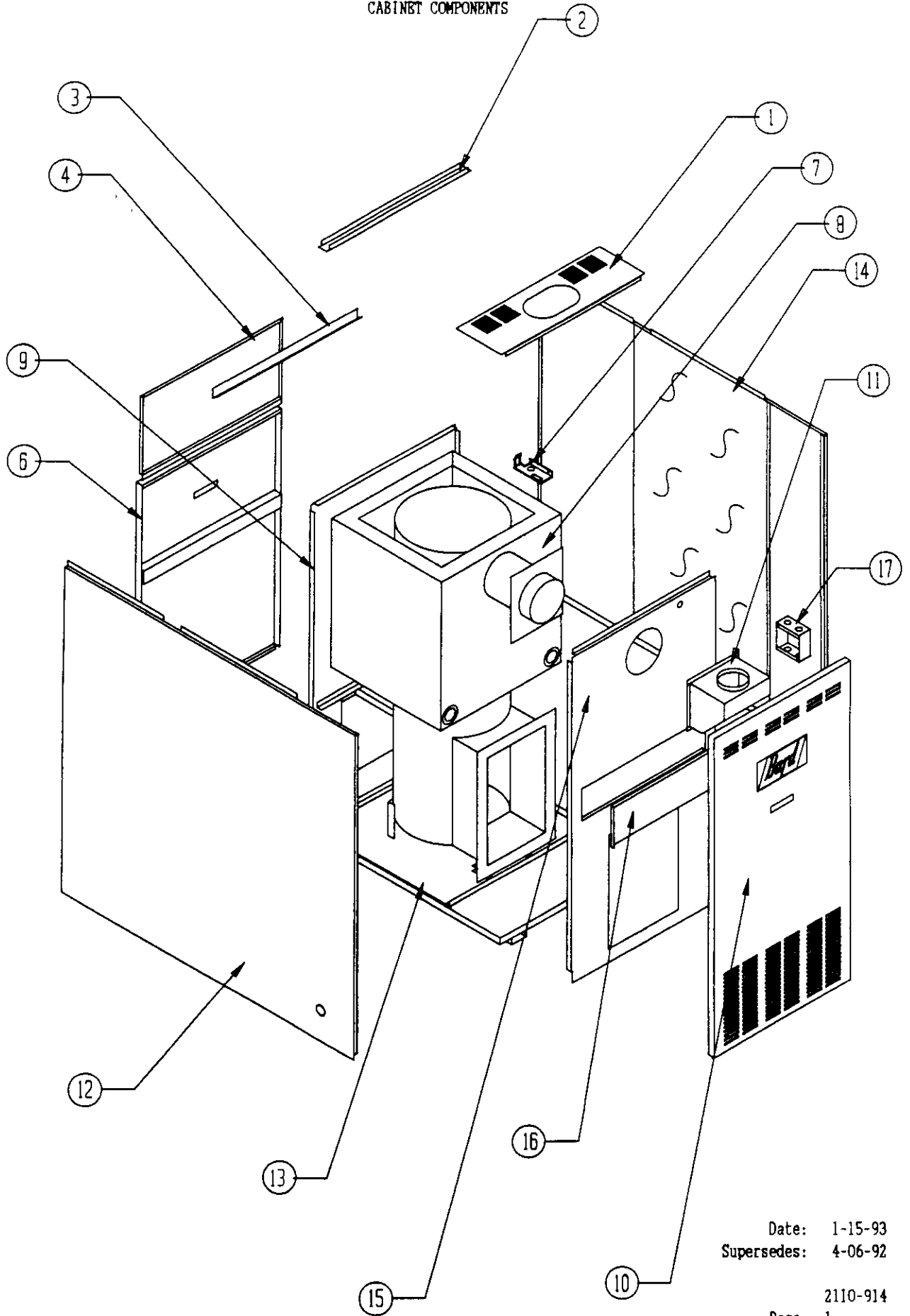
\*\*\*\*\*  
\*\* INDEX \*\*  
\*\*\*\*\*

<u>Page Description</u>	<u>Page</u>	<u>Date</u>	<u>Supersedes</u>
Cabinet Components--Exploded View	1	7-15-93	
" " --Usage List	2	7-15-93	
Functional Components--Exploded View	3	7-15-93	
" " --Usage List	4	7-15-93	
Burner Components--Layout	5	7-15-93	
" " --Usage List	6	7-15-93	
Burner/Combustion Chamber Mounting System--Layout	7	7-15-93	
" " " " " --Usage	8	7-15-93	

\*\*\*\*\*  
\*\*\* IMPORTANT \*\*\*  
\*\*\*\*\*

Contact the installing and/or local Bard distributor for all parts requirements. Make sure you have the complete model and serial number available from the unit rating plate.

CABINET COMPONENTS



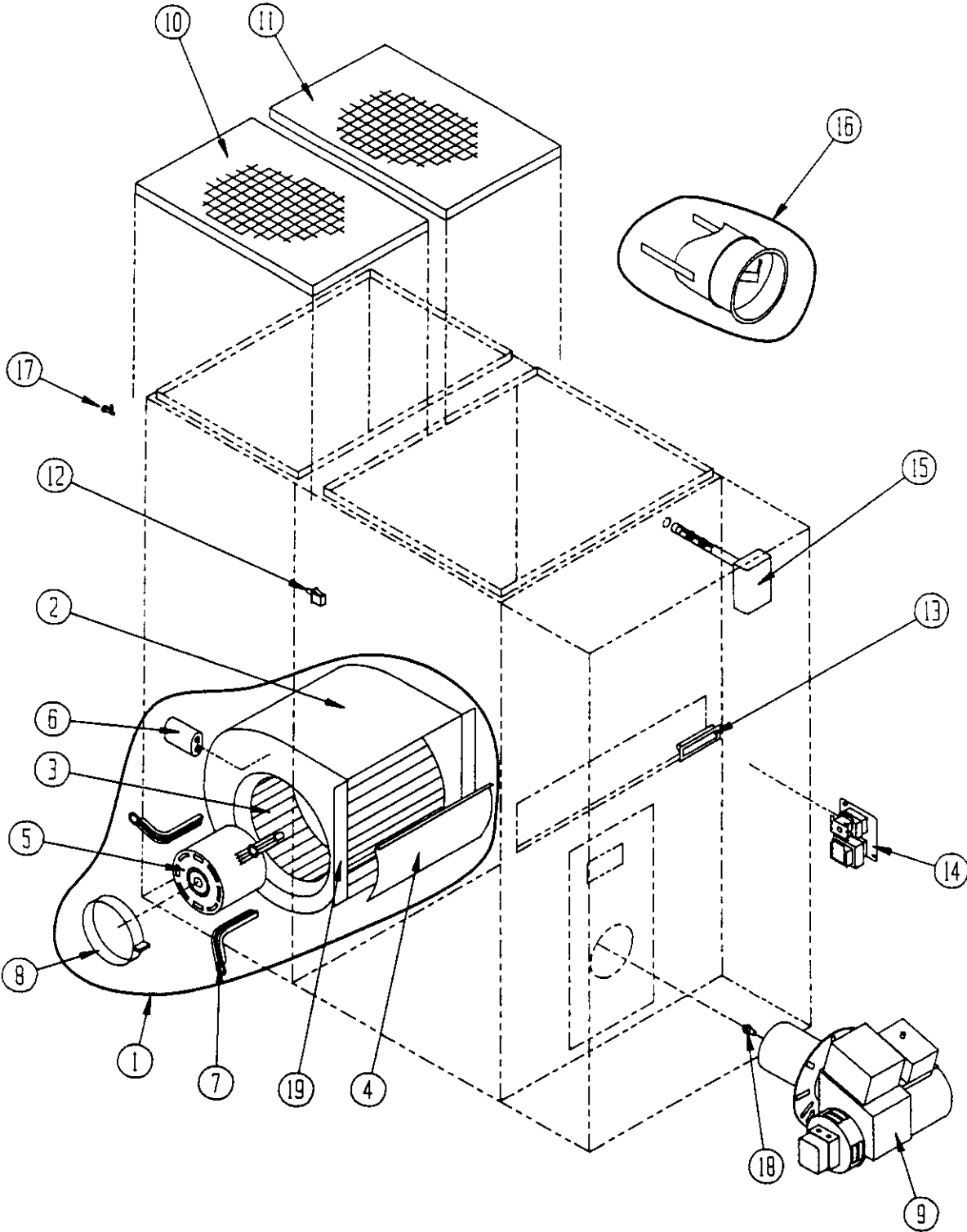
Date: 1-15-93  
Supersedes: 4-06-92

CABINET COMPONENTS

Dwg. No.	Part No.	Description	ELF085D36C	ELF110D48C
1	106-139	Top Fill	X	X
2	164-536	Top Channel	X	X
3	540-189	Filter Support	X	X
4	108-080	Upper Back	X	
4	108-081	Upper Back		X
6	S552-219	Blower Door	X	X
7	116-173	Door Switch Bracket	X	X
8	171-211	Heat Exchanger Assembly	X	
8	171-213	Heat Exchanger Assembly		X
9	521-221	Blower Partition	X	
9	521-223	Blower Partition		X
10	S152-184	Burner Door	X	
10	S152-185	Burner Door		X
11	913-0069	Flue Box Assembly	X	X
12	S501-247	Left Side (Furnace serial number required)	X	
12	S501-249	Left Side (Furnace serial number required)		X
13	127-175	Base	X	X
14	S501-246	Right Side	X	
14	S501-248	Right Side		X
15	S520-220	Burner Partition	X	
15	S520-222	Burner Partition		X
16	542-037	Cleanout Cover Plate	X	X
17	116-157	Junction Box	X	X

Date: 7-15-93  
Supersedes:

FUNCTIONAL COMPONENTS



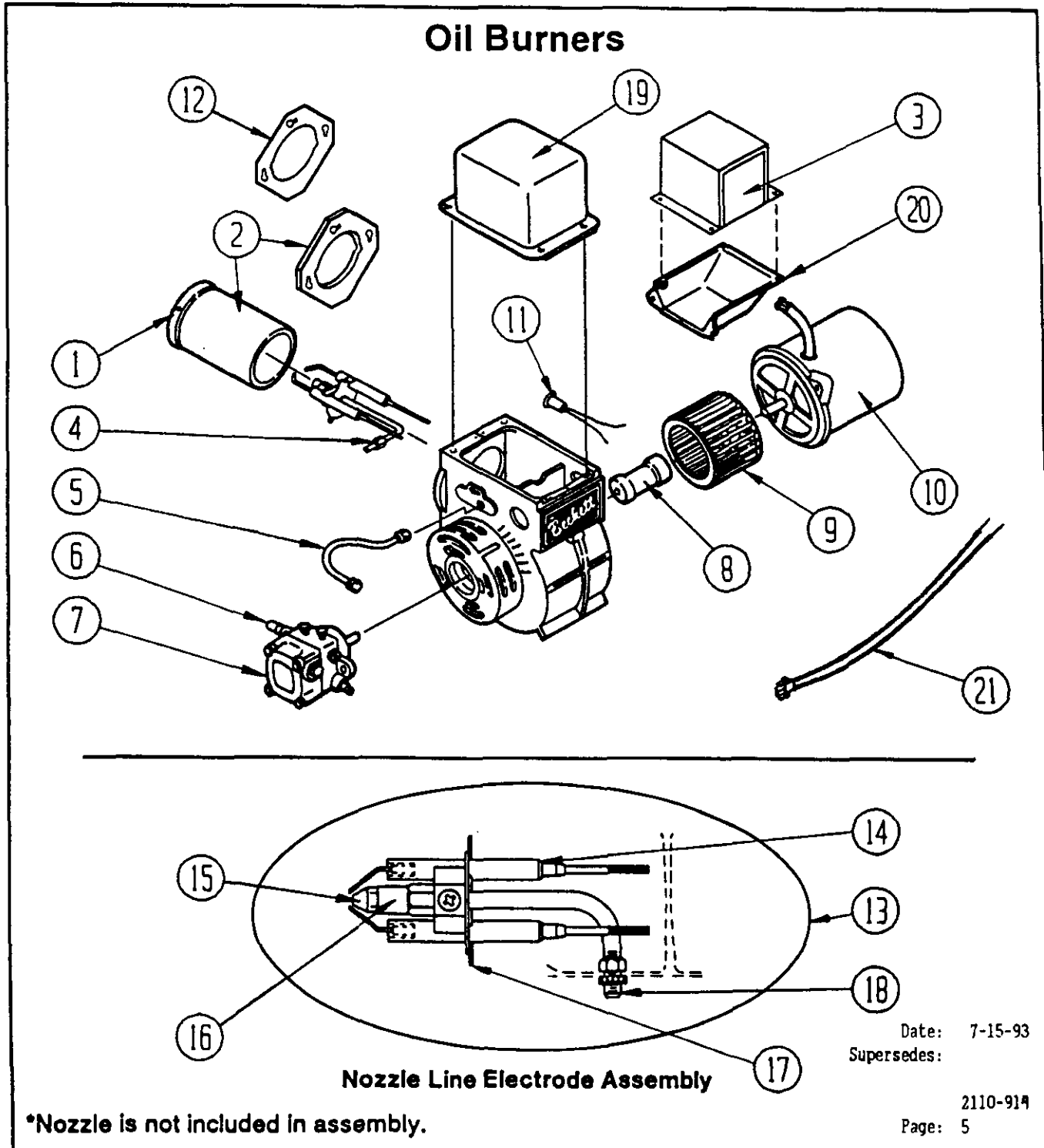
Date: 7-15-93  
Supersedes:

FUNCTIONAL COMPONENTS

Dwg. No.	Part No.	Description	FLF085D36C	FLF110D48C
1	900-197	Blower Assembly	X	
1	900-198	Blower Assembly		X
2	151-073	Blower Housing Assembly	X	
2	151-082	Blower Housing Assembly		X
3	5152-014	Blower Wheel	X	
3	5152-059	Blower Wheel		X
4	144-128	Diffuser	X	
4	144-129	Diffuser		X
5	8105-040	Motor 1/3 hp ccw	X	
5	8106-033	Motor 1/2 hp cw		X
6	8552-002	Capacitor 5/370	X	
6	8552-004	Capacitor 7.5/370		X
7	8200-034	Motor Mount Arm	3	3
8	8200-033	Motor Mount Band	X	X
9	901-0106	Burner Assembly (Includes nozzle part No. 9011-001)	X	
9	901-0107	Burner Assembly (Includes nozzle part No. 9011-003)		X
10	7003-020	Permanent Filter 11.5 x 17 x 1	X -	
10	7003-021	Permanent Filter 10 x 20 x 1		X
11	7003-020	Permanent Filter 11.5 x 17 x 1	X	
11	7003-016	Permanent Filter 13 x 20 x 1		X
12	8406-047	Door Switch		X
13	1171-025	Door Pull	2	2
14	8201-006	Fan Center	X	X
15	S912-0045	Fan/Limit Control	X	X
16	8601-031	Barometric Damper	X	X
17	1171-012	Slotted Cabinet Latch	X	X
18	9011-001	Nozzle .75 GPH 80 Degree	X	
18	9011-003	Nozzle 1.00 GPH 80 Degree		X
19	104-794	Blower Angles	2	2
	4047-114	Wire Diagram	X	X

Date: 7-15-93  
Supersedes:

## Burner Replacement Parts

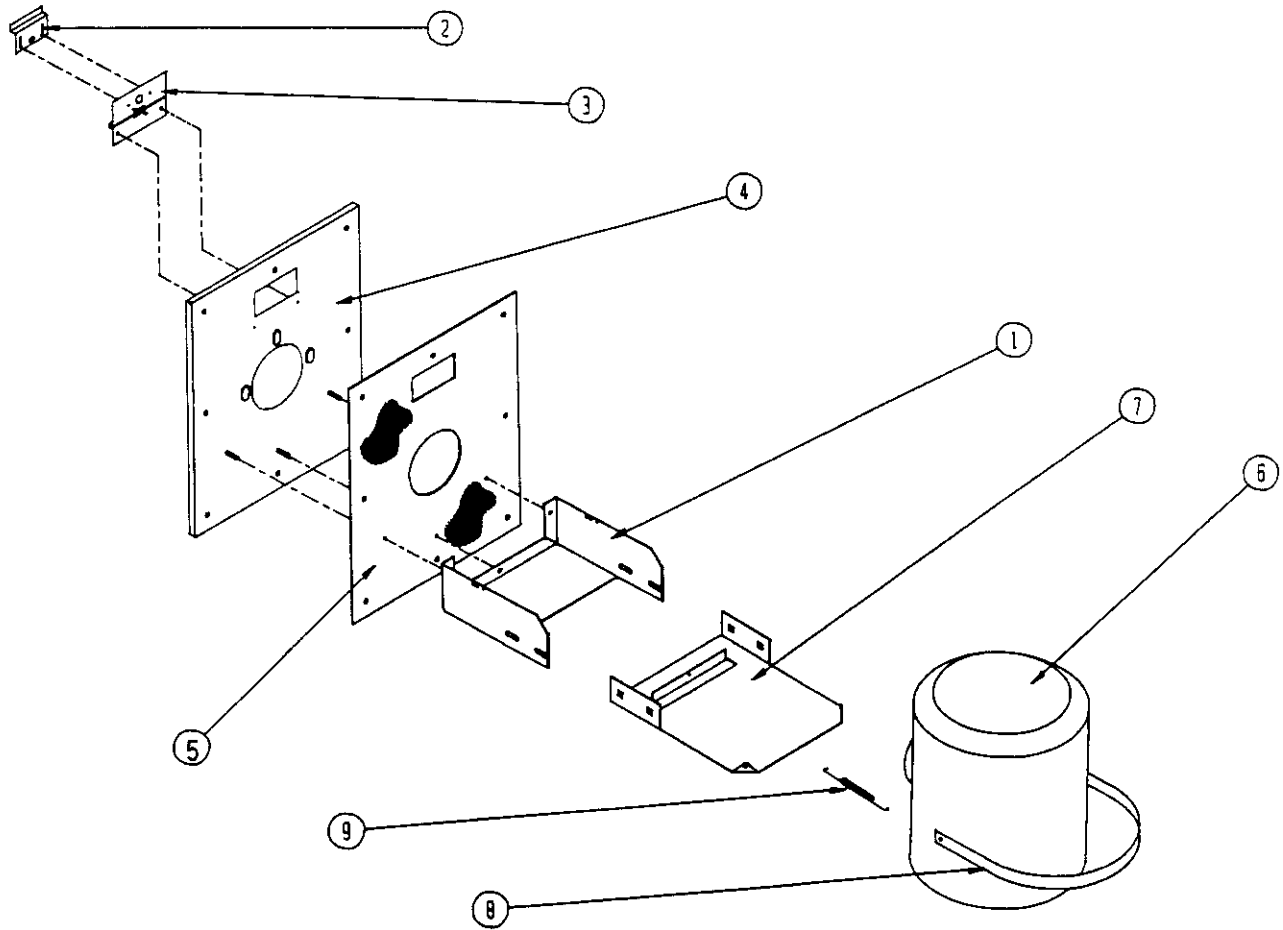


BURNER COMPONENTS

Dwg. No.	Bard Part No.	Supplier Part No.	Description	ELF085D36C	ELF110D48C
1	9022-003	F3	Head	X	X
2	9022-004	51236007BK	Air Tube and Flange Assembly 7-5/8" Insertion	X	X
3	9022-056	7022U	Primary Control	X	X
4	9022-007	571801	Bulkhead Fitting	X	X
5	9022-008	5636	Connector Tube	X	X
6	9022-009	2256	Pump Outlet Elbow	X	X
7	9022-010	2460U	Pump, Single Stage	X	X
8	9022-011	2454	Coupling	X	X
9	9022-012	2459U	Blower	X	X
10	9022-013	2456U	Motor 1/7 HP 3450 RPM	X	X
11	9022-054	7006U	Cad Cell	X	X
12	9022-021	3811	Mounting Flange Gasket	X	X
13	9022-014	NL90YH	Nozzle Line Electrode Assembly	X	X
14	9022-017	5780	Electrode Insulator Assembly	X	X
15	9011-001		Nozzle .75 GPH 80 degree A	X	
15	9011-003		Nozzle 1.00 GPH 80 degree A		X
16	9022-016	213U	Nozzle Adapter, Single	X	X
17	9022-023	3384P	Static Plate 3-3/8"	X	X
18	9022-018	3666	Bulkhead Fitting Locknut	X	X
19	9022-057	2442U	Ignition Transformer	X	X
20	9022-058	5770	Electric Box Kit	X	X
21	9022-055	31838	Power Cord	X	X

Date: 7-15-93  
Supersedes:

BURNER/COMBUSTION CHAMBER MOUNTING SYSTEM



Date: 7-15-93  
Supersedes:



BURNER/COMBUSTION CHAMBER MOUNTING SYSTEM

Dwg. No.	Bard Part No.	Description	ELF085D36C	ELF110D48C
1	S112-159	Combustion Chamber Bracket	X	X
2	142-026	Inspection Door Cover Plate		
3	142-027	Inspection Door Hinge	X	X
4	161-033	Front Plate Assembly	X	X
5	1921-026	Front Plate Gasket	X	X
6	7090-005	Combustion Chamber	X	X
7	112-160	Bracket Extension	X	X
8	140-198	Combustion Chamber Support	X	X
9	5401-004	Stainless Steel Spring	X	X

Date: 7-15-93  
Supersedes:

