
REPLACEMENT PARTS MANUAL

OIL FIRED FURNACE

Models: **FLR085D36C**
FLR110D48C
FLR140D60C

General Notes

- Revised and/or additional pages may be issued from time to time.
- A complete and current manual consists of pages shown in the following contents section.

Important

- Contact the installing and/or local Bard distributor for all parts requirements. Make sure you have the complete model and serial number available from the unit rating plate.

Contents

Description	Page
Cabinet Components	
• Exploded View	1
• Usage List	2
Functional Components	
• Exploded View	3
• Usage List	4
Burner Components	
• Layout View	5
• Usage List	6
Burner / Combustion Chamber Mounting System	
• Layout View	7
• Usage List	8

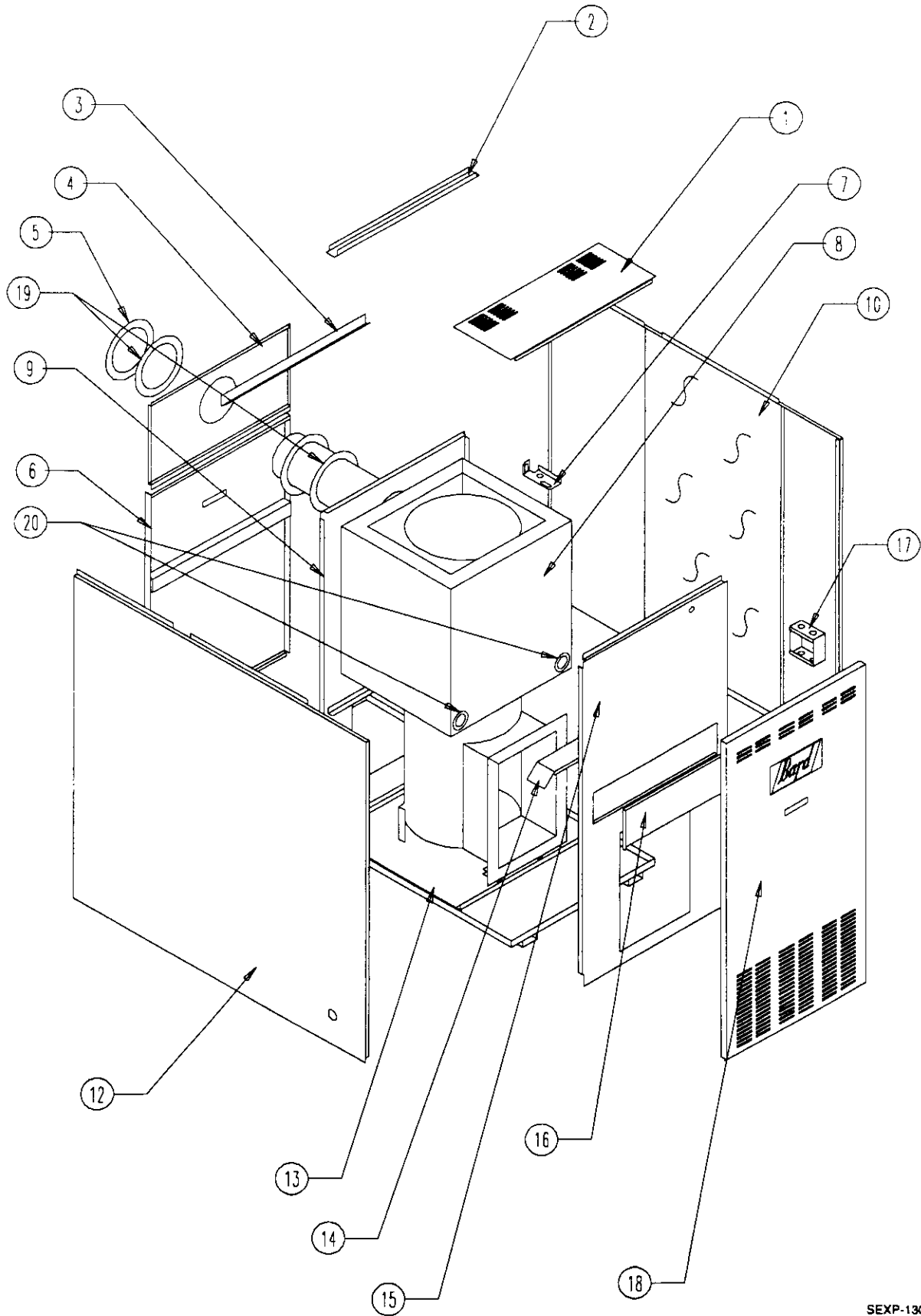


BARD MANUFACTURING COMPANY
Bryan, Ohio 43506

Since 1914...Moving ahead, just as planned.

Manual: 2110-915D
Supersedes: Rev. C
File:
Date: 12-11-98

CABINET COMPONENTS

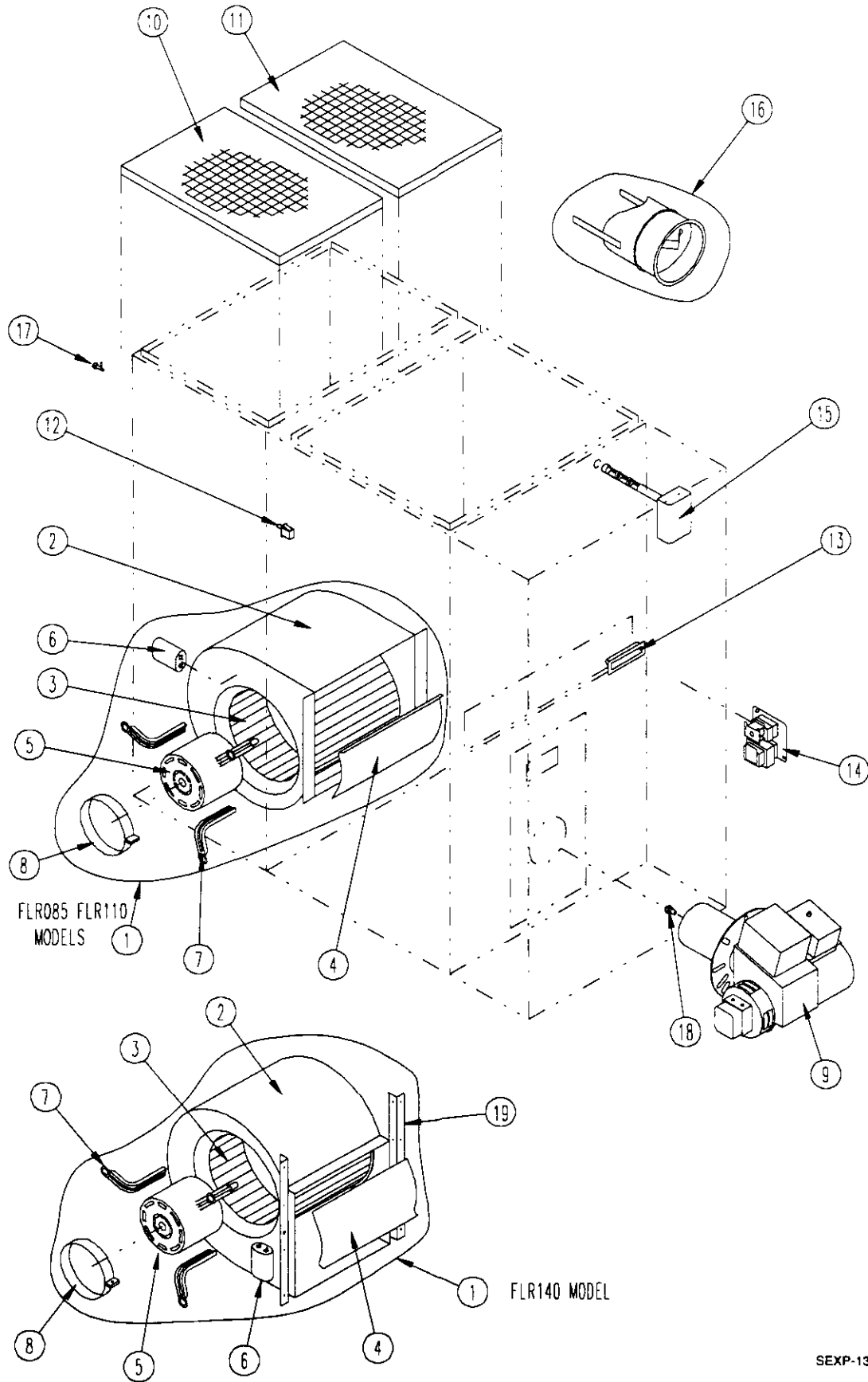


SEXP-130

CABINET COMPONENTS

Dwg. No.	Part No.	Description	FLR085D36C	FLR110D48C	FLR140D60C
1	106-126	Top Fill	X	X	
1	106-128	Top Fill			X
2	164-536	Top Channel	X	X	
2	164-537	Top Channel			X
3	540-189	Filter Support	X	X	
3	540-175	Filter Support			X
4	108-082	Upper Back	X		
4	108-083	Upper Back		X	
4	108-085	Upper Back			X
5	S166-019	Smoke Pipe Clamp Ring Assembly	2	2	2
6	S552-219	Blower Door	X	X	
6	S552-197	Blower Door			X
7	112-173	Door Switch Bracket	X	X	X
8	S171-212	Heat Exchanger Assembly	X		
8	S171-214	Heat Exchanger Assembly		X	
8	S171-215	Heat Exchanger Assembly			X
9	521-208	Blower Partition	X		
9	521-210	Blower Partition		X	
9	521-171	Blower Partition			X
10	S501-246	Right Side	X		
10	S501-248	Right Side		X	
10	S501-222	Right Side			X
12	S501-247	Left Side (Furnace serial number required)	X		
12	S501-249	Left Side (Furnace serial number required)		X	
12	S501-223	Left Side (Furnace serial number required)			X
13	127-175	Base	X	X	
13	127-180	Base			X
14	168-048	Air Baffle	X		X
14	168-076	Air Baffle		X	
15	S520-219	Burner Partition	X		
15	S520-218	Burner Partition		X	
15	S520-197	Burner Partition			X
16	542-037	Cleanout Cover Plate	X	X	
16	542-038	Cleanout Cover Plate			X
17	116-157	Junction Box	X	X	X
18	S152-184	Burner Door	X		
18	S152-185	Burner Door		X	
18	S152-198	Burner Door			X
19	1921-037	Smoke Pipe Gasket 6"	2	2	2
20	8620-007	Cleanout Plug and Gasket	2	2	2
20	1921-038	Cleanout Gasket Only	2	2	2

FUNCTIONAL COMPONENTS



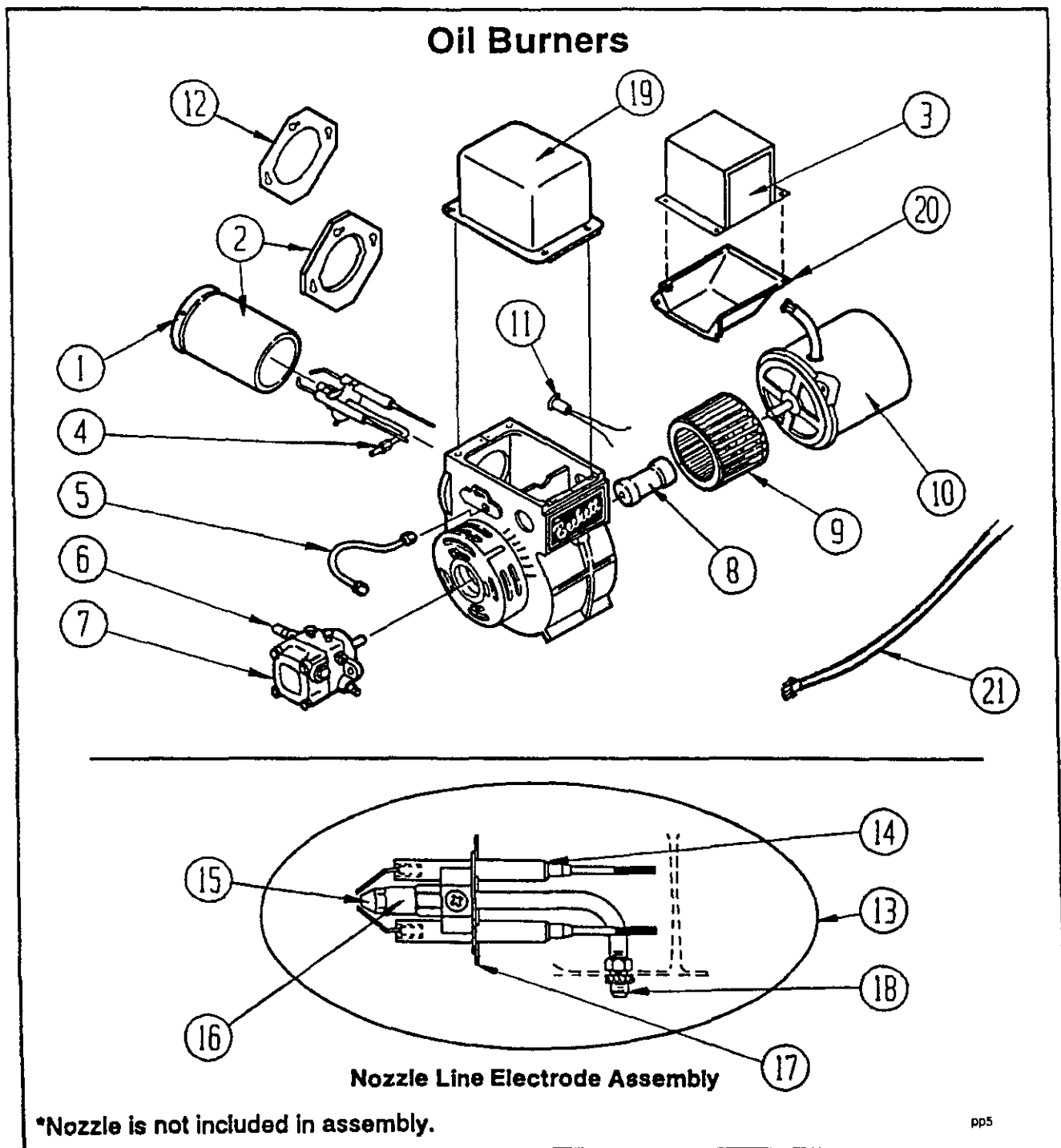
FUNCTIONAL COMPONENTS

Dwg. No.	Part No.	Description	FLR085D36C	FLR110D48C	FLR140D60C
1	900-199	Blower Assembly			X
1	900-197	Blower Assembly	X		
1	900-198	Blower Assembly		X	
2	151-073	Blower Housing Assembly	X		
2	151-082	Blower Housing Assembly		X	
2	5152-050 ①	Blower Housing Assembly			X
3	5152-014	Blower Wheel	X		
3	5152-053	Blower Wheel			X
3	5152-059	Blower Wheel		X	
4	144-128	Diffuser	X		
4	144-129	Diffuser		X	
4	N/A ①	Diffuser			X
5	8105-040	Motor 1/3 HP 115V CCW	X		
5	8106-033	Motor 1/2 HP 115V CW		X	
5	8107-007	Motor 3/4 HP 115V CCW			X
6	8552-002	Capacitor 5/370 MFD	X		
6	8552-004	Capacitor 7.5 /370 MFD		X	
6	8552-026	Capacitor 15/370 MFD			X
7	8200-034	Motor Mount Arm	3	3	
7	8200-035	Motor Mount Arm			3
8	8200-033	Motor Mount Band	X	X	X
9	901-0108	Oil Burner (Includes nozzle part no. 9011-001)	X		
9	901-0109	Oil Burner (Includes nozzle part no. 9011-003)		X	
9	901-0110	Oil Burner (Includes nozzle part no. 9011-006)			X
10	7003-002	Washable Filter 11.5 x 17 x 1	1		
10	7003-021	Washable Filter 10 x 20 x 1		1	
10		Not Used on 140 Model			
11	7003-016	Washable Filter 13 x 20 x 1		1	2
11	7003-020	Washable Filter 11.5 x 17 x 1	1		
12	8406-047	Door Switch	X	X	X
13	1171-025	Door Pull	2	2	2
14	8201-006	Fan Center (2 Speed Relay)	X	X	X
15	8620-080	Fan / Limit Control	X	X	X
16	8601-031	Barometric Damper	X	X	X
17	1171-012	Flush Cabinet Latch	X	X	X
18	9011-001	Nozzle .75 GPH 80 degree	X		
18	9011-003	Nozzle 1.00 GPH 80 degree		X	
18	9011-006	Nozzle 1.25 GPH 80 degree			X
19	104-794	Blower Angle			2
NS	4047-114	Wire Diagram	X	X	X

① Drawing no. 2 part no. 5152-050 includes housing, diffuser, and blower wheel part no. 5152-053

NS Not Shown

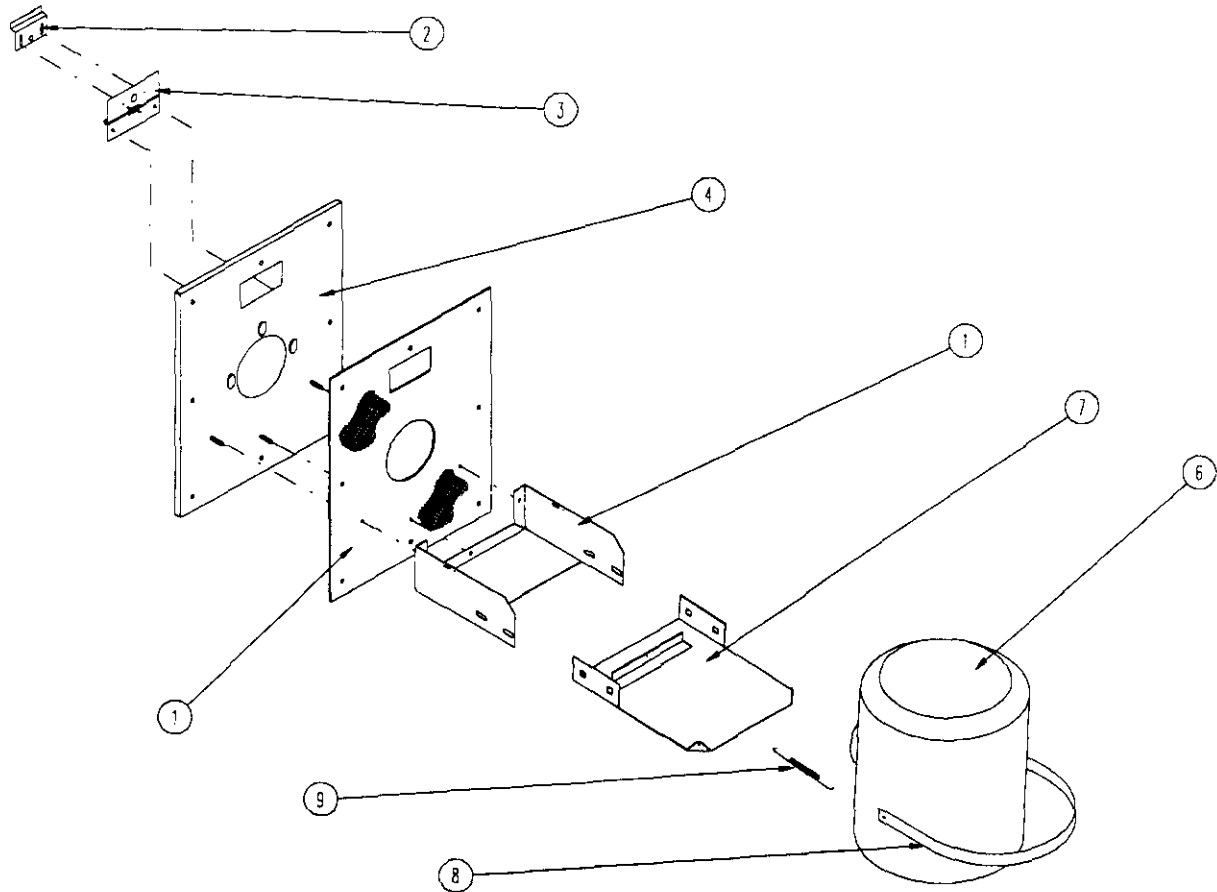
Burner Replacement Parts



BURNER COMPONENTS

Drawing No.	Bard Part No.	Supplier Part No.	Description	FLR085D36C	FLR110D48C	FLR140D60C
1	9022-003	F3	Head	X	X	
1	9022-034	F4	Head			X
2	9022-019	51236009BK	Air Tube and Flange Assembly 5-1/2" Insertion	X	X	X
3	9022-056	7022U	Primary Control	X	X	X
4	9022-007	571801	Bulkhead Fitting	X	X	X
5	9022-008	5636	Connector Tube	X	X	X
6	9022-009	2256	Pump Outlet Elbow	X	X	X
7	9022-010	2460U	Pump, Single Stage	X	X	X
8	9022-011	2454	Coupling	X	X	X
9	9022-012	2459U	Blower	X	X	X
10	9022-013	2456U	Motor 1/7 HP 3450 RPM	X	X	X
11	9022-054	7006U	Cad Cell	X	X	X
12	9022-024	3616	Mounting Flange Gasket	X	X	X
13	9022-015	NL72YH	Nozzle Line Electrode Assembly	X	X	X
14	9022-017	5780	Electrode Insulator Assembly	X	X	X
15	9011-001		Nozzle .75 GPH 80 degree A	X		
15	9011-003		Nozzle 1.00 GPH 80 degree A		X	
15	9011-006		Nozzle 1.25 GPH 80 degree A			X
16	9022-016	213U	Nozzle Adapter Single	X	X	X
17	9022-023	3384P	Static Plate 3-3/8"	X	X	
17	9022-035	3383P	Static Plate 2-3/4"			X
18	9022-018	3666	Bulkhead Fitting Locknut	X	X	X
19	9022-057	2442U	Ignition Transformer	X	X	X
20	9022-058	5770	Electrical Box Kit	X	X	X
21	9022-055	31838	Power Cord	X	X	X

BURNER/COMBUSTION CHAMBER MOUNTING SYSTEM



SEXP-197

BURNER/COMBUSTION CHAMBER MOUNTING SYSTEM

Dwg. No.	Part No.	Description	FLR085D36C	FLR110D48C	FLR140D60C
1	112-170	Combustion Chamber Bracket	X	X	
1	112-168	Combustion Chamber Bracket			X
2	142-026	Inspection Door Cover Plate	X	X	X
3	142-027	Inspection Door Hinge	X	X	X
4	161-033	Front Plate Assembly	X	X	
4	161-034	Front Plate Assembly			X
5	1921-026	Front Plate Gasket	X	X	
5	1921-027	Front Plate Gasket			X
6	7090-005	Combustion Chamber	X	X	
6	7090-003	Combustion Chamber			X
7	S112-160	Bracket Extension	X	X	
7	S112-167	Bracket Extension			X
8	140-198	Combustion Chamber Support	X	X	
8	140-199	Combustion Chamber Support			X
9	5401-004	Stainless Steel Spring	X	X	X
	S173-077	Complete Assembly of All Parts <i>w/inst. Form</i>	X	X	
	S173-079	Complete Assembly of All Parts			X