

# REPLACEMENT PARTS MANUAL

## OIL FIRED FURNACE

MODELS: FLR085D36C, FLR110D48C, FLR140D60C

Manual 2110-915      Revision      Date 7-15-93      Supersedes

\*\*\*\*\*  
\* GENERAL NOTES \*  
\*\*\*\*\*

\*Revised and/or additional pages may be issued from time to time.  
\*A complete and current manual consists of pages dated as shown in the following index.

\*\*\*\*\*  
\*\* INDEX \*\*  
\*\*\*\*\*

| <u>Page Description</u>                           | <u>Page</u> | <u>Date</u> | <u>Supersedes</u> |
|---|-------------|-------------|-------------------|
| Cabinet Components--Exploded View                 | 1           | 7-15-93     |                   |
| " " --Usage List                                  | 2           | 7-15-93     |                   |
| Functional Components--Exploded View              | 3           | 7-15-93     |                   |
| " " --Usage List                                  | 4           | 7-15-93     |                   |
| Burner Components--Layout                         | 5           | 7-15-93     |                   |
| " " --Usage List                                  | 6           | 7-15-93     |                   |
| Burner/Combustion Chamber Mounting System--Layout | 7           | 7-15-93     |                   |
| " " " " " --Usage                                 | 8           | 7-15-93     |                   |

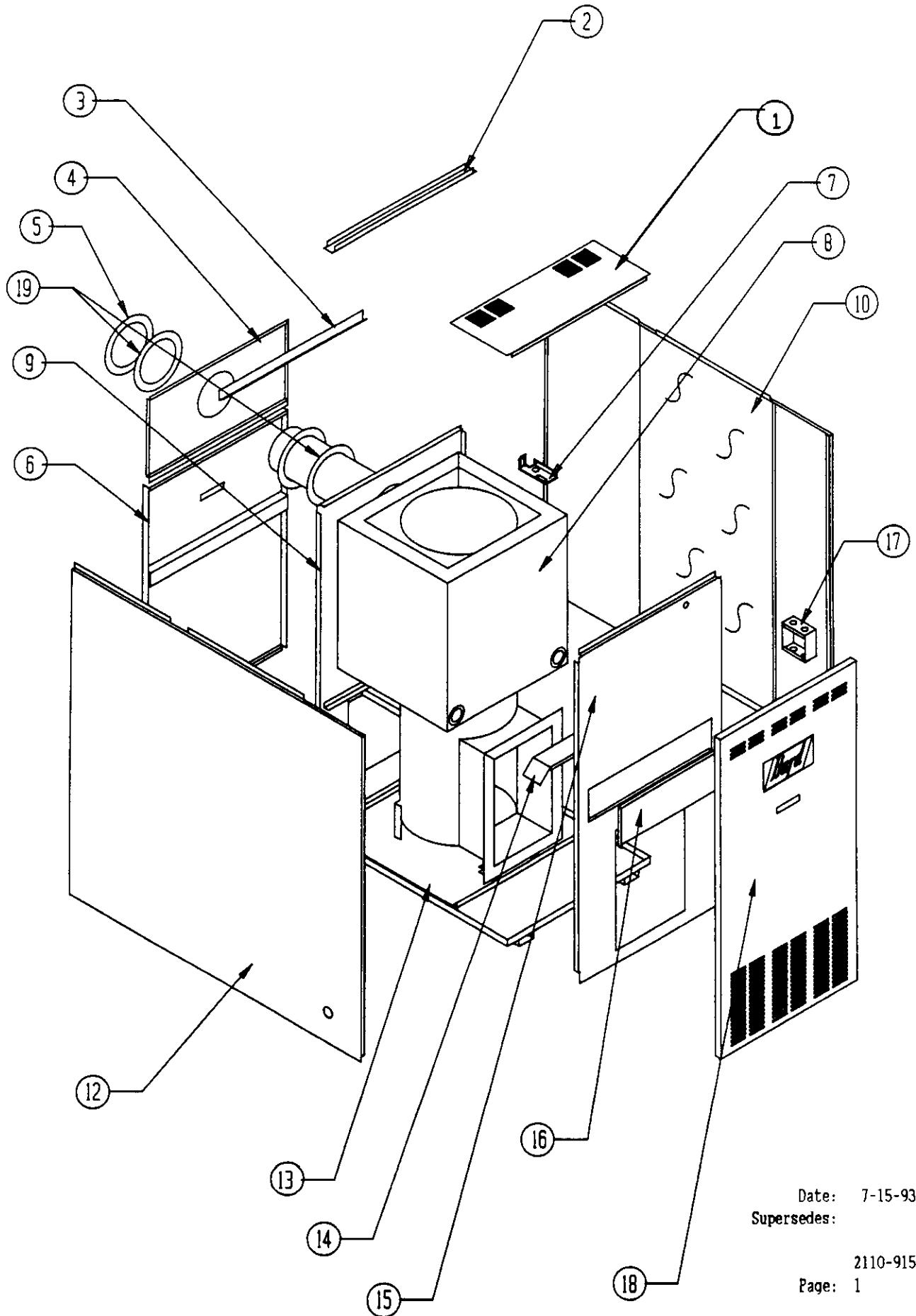
\*\*\*\*\*  
\*\*\* IMPORTANT \*\*\*  
\*\*\*\*\*

Contact the installing and/or local Bard distributor for all parts requirements. Make sure you have the complete model and serial number available from the unit rating plate.

BARD MANUFACTURING COMPANY

BRYAN, OHIO 43506

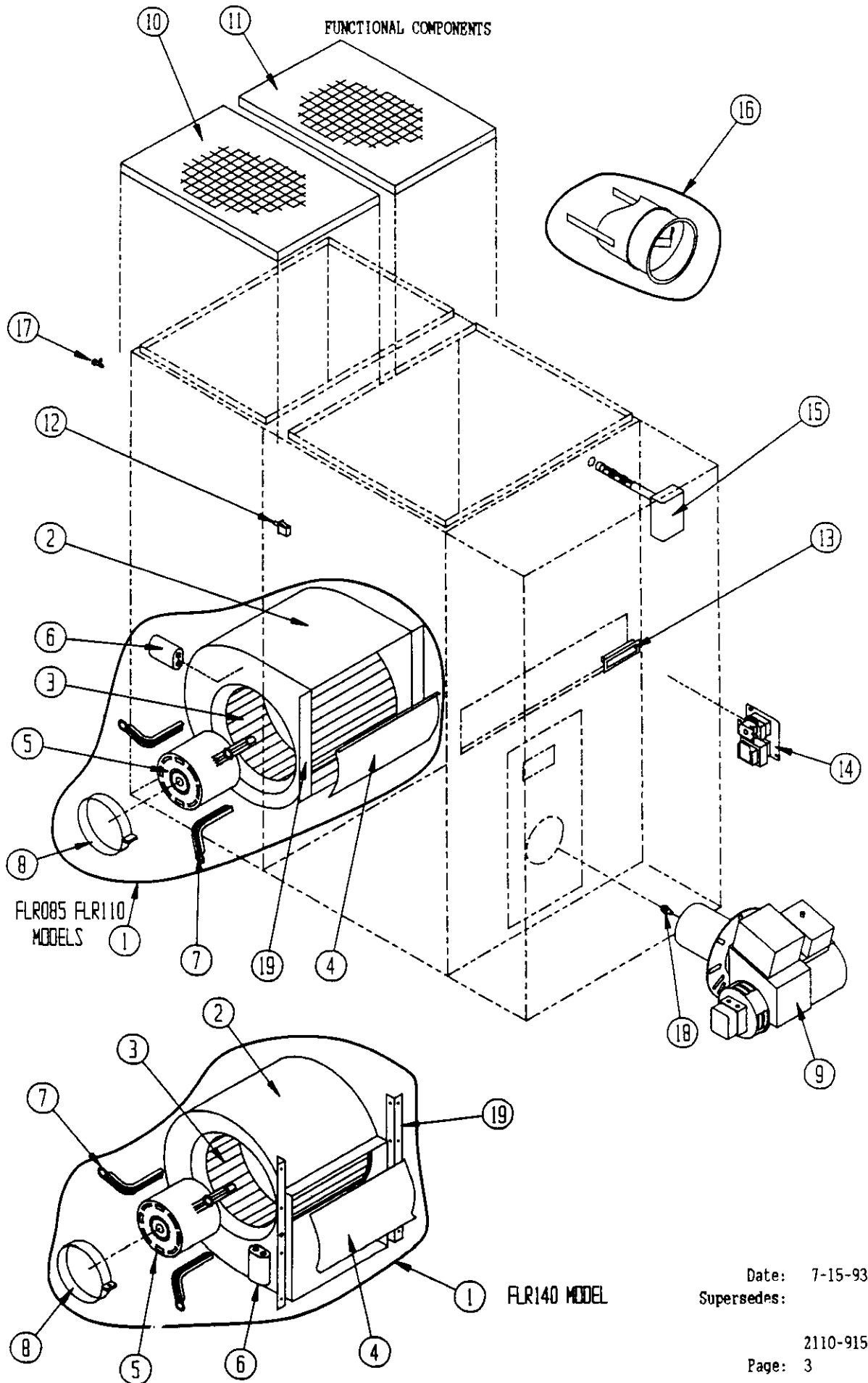
CABINET COMPONENTS



CABINET COMPONENTS

| Dwg. No. | Part No. | Description                                | FLR085D36C | FLR110D48C | FLR140D60C |
|----------|----------|--|------------|------------|------------|
| 1        | 106-126  | Top Fill                                   | X          | X          |            |
| 1        | 106-128  | Top Fill                                   |            |            | X          |
| 2        | 164-536  | Top Channel                                | X          | X          |            |
| 2        | 164-537  | Top Channel                                |            |            | X          |
| 3        | 540-189  | Filter Support                             | X          | X          |            |
| 3        | 540-175  | Filter Support                             |            |            | X          |
| 4        | 108-082  | Upper Back                                 | X          |            |            |
| 4        | 108-083  | Upper Back                                 |            | X          |            |
| 4        | 108-085  | Upper Back                                 |            |            | X          |
| 5        | 166-007  | Smoke Pipe Collar 6"                       | 2          | 2          | 2          |
| 6        | S552-219 | Blower Door                                | X          | X          |            |
| 6        | S552-197 | Blower Door                                |            |            | X          |
| 7        | 112-173  | Door Switch Bracket                        | X          | X          | X          |
| 8        | 171-212  | Heat Exchanger Assembly                    | X          |            |            |
| 8        | 171-214  | Heat Exchanger Assembly                    |            | X          |            |
| 8        | 171-215  | Heat Exchanger Assembly                    |            |            | X          |
| 9        | 521-208  | Blower Partition                           | X          |            |            |
| 9        | 521-210  | Blower Partition                           |            | X          |            |
| 9        | 521-171  | Blower Partition                           |            |            | X          |
| 10       | S501-246 | Right Side                                 | X          |            |            |
| 10       | S501-248 | Right Side                                 |            | X          |            |
| 10       | S501-222 | Right Side                                 |            |            | X          |
| 12       | S501-247 | Left Side (Furnace serial number required) | X          |            |            |
| 12       | S501-249 | Left Side (Furnace serial number required) |            | X          |            |
| 12       | S501-223 | Left Side (Furnace serial number required) |            |            | X          |
| 13       | 127-175  | Base                                       | X          | X          |            |
| 13       | 127-180  | Base                                       |            |            | X          |
| 14       | 168-048  | Air Baffle                                 | X          |            | X          |
| 14       | 168-076  | Air Baffle                                 |            | X          |            |
| 15       | S520-219 | Burner Partition                           | X          |            |            |
| 15       | S520-218 | Burner Partition                           |            | X          |            |
| 15       | S520-197 | Burner Partition                           |            |            | X          |
| 16       | 542-037  | Clean Out Cover Plate                      | X          | X          |            |
| 16       | 542-038  | Clean Out Cover Plate                      |            |            | X          |
| 17       | 116-157  | Junction Box                               | X          | X          | X          |
| 18       | S152-184 | Burner Door                                | X          |            |            |
| 18       | S152-185 | Burner Door                                |            | X          |            |
| 18       | S152-198 | Burner Door                                |            |            | X          |
| 19       | 1921-006 | Smoke Pipe Gasket 6"                       | 2          | 2          | 2          |

Date: 7-15-93  
Supersedes:



FLR085 FLR110  
MODELS

FLR140 MODEL

Date: 7-15-93  
Supersedes:

2110-915  
Page: 3

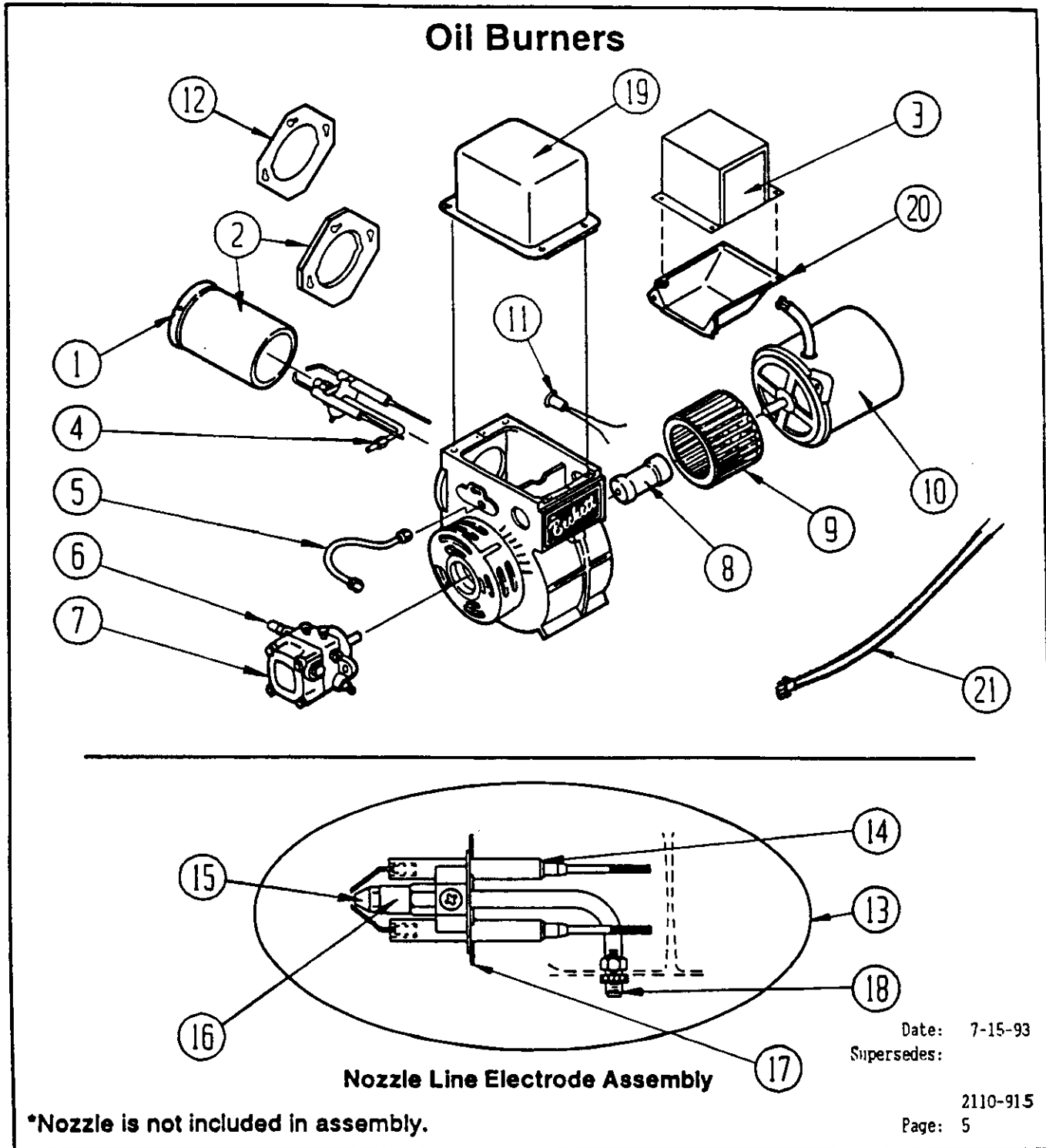
FUNCTIONAL COMPONENTS

| Dwg. No. | Part No.  | Description                                    | FLR085D36C | FLR110D48C | FLR140D60C |
|----------|-----------|--|------------|------------|------------|
| 1        | 900-199   | Blower Assembly                                |            |            | X          |
| 1        | 900-197   | Blower Assembly                                | X          |            |            |
| 1        | 900-198   | Blower Assembly                                |            | X          |            |
| 2        | 151-073   | Blower Housing Assembly                        | X          |            |            |
| 2        | 151-082   | Blower Housing Assembly                        |            | X          |            |
| 2        | 5152-050  | Blower Housing Assembly (1)                    |            |            | X          |
| 3        | 5152-014  | Blower Wheel                                   | X          |            |            |
| 3        | 5152-053  | Blower Wheel                                   |            |            | X          |
| 3        | 5152-059  | Blower Wheel                                   |            | X          |            |
| 4        | 144-128   | Diffuser                                       | X          |            |            |
| 4        | 144-129   | Diffuser                                       |            | X          |            |
| 4        | NA        | Diffuser (1)                                   |            |            | X          |
| 5        | 8105-040  | Motor 1/3 hp ccw                               | X          |            |            |
| 5        | 8106-033  | Motor 1/2 hp cw                                |            | X          |            |
| 5        | 8107-007  | Motor 3/4 hp 115C ccw PSC                      |            |            | X          |
| 6        | 8552-002  | Capacitor 5/370                                | X          |            |            |
| 6        | 8552-004  | Capacitor 7.5/370                              |            | X          |            |
| 6        | 8552-026  | Capacitor 15/370                               |            |            | X          |
| 7        | 8200-034  | Motor Mount Arm                                | 3          | 3          |            |
| 7        | 8200-035  | Motor Mount Arm                                |            |            | 3          |
| 8        | 8200-033  | Motor Mount Band                               | X          | X          | X          |
| 9        | 901-0108  | Oil Burner (Includes nozzle part No. 9011-001) | X          |            |            |
| 9        | 901-0109  | Oil Burner (Includes nozzle part No. 9011-003) |            | X          |            |
| 9        | 901-0110  | Oil Burner (Includes nozzle part No. 9011-006) |            |            | X          |
| 10       | 7003-020  | Permanent Filter 11.5 x 17 x 1                 | 1          |            |            |
| 10       | 7003-021  | Permanent Filter 10 x 20 x 1                   |            | 1          |            |
| 10       |           | Not used on 140 model                          |            |            |            |
| 11       | 7003-016  | Permanent Filter 13 x 20 x 1                   |            | 1          | 2          |
| 11       | 7003-020  | Permanent Filter 11.5 x 17 x 1                 | 1          |            |            |
| 12       | 8406-047  | Door Switch                                    | X          | X          | X          |
| 13       | 1171-025  | Door Pull                                      | 2          | 2          | 2          |
| 14       | 8201-006  | Fan Center (2 speed relay)                     | X          | X          | X          |
| 15       | S912-0046 | Fan/Limit Control                              | X          |            |            |
| 15       | S912-0047 | Fan/Limit Control                              |            | X          |            |
| 15       | S912-0048 | Fan/Limit Control                              |            |            | X          |
| 16       | 8601-031  | Barometric Damper                              | X          | X          | X          |
| 17       | 1171-012  | Flush Cabinet Latch                            | X          | X          | X          |
| 18       | 9011-001  | Nozzle .75 GPH 80 Degree                       | X          |            |            |
| 18       | 9011-003  | Nozzle 1.00 GPH 80 Degree                      |            | X          |            |
| 18       | 9011-006  | Nozzle 1.25 GPH 80 Degree                      |            |            | X          |
| 19       | 104-783   | Blower Angles                                  | 2          | 2          |            |
| 19       | 104-794   | Blower Angles                                  |            |            | 2          |
|          | 4047-114  | Wire Diagram                                   | X          | X          | X          |

(1) Balloon No. 2 part No. 5152-050 includes housing, diffuser, and blower wheel part No. 5152-053.

Date: 7-15-93  
Supersedes:

## Burner Replacement Parts

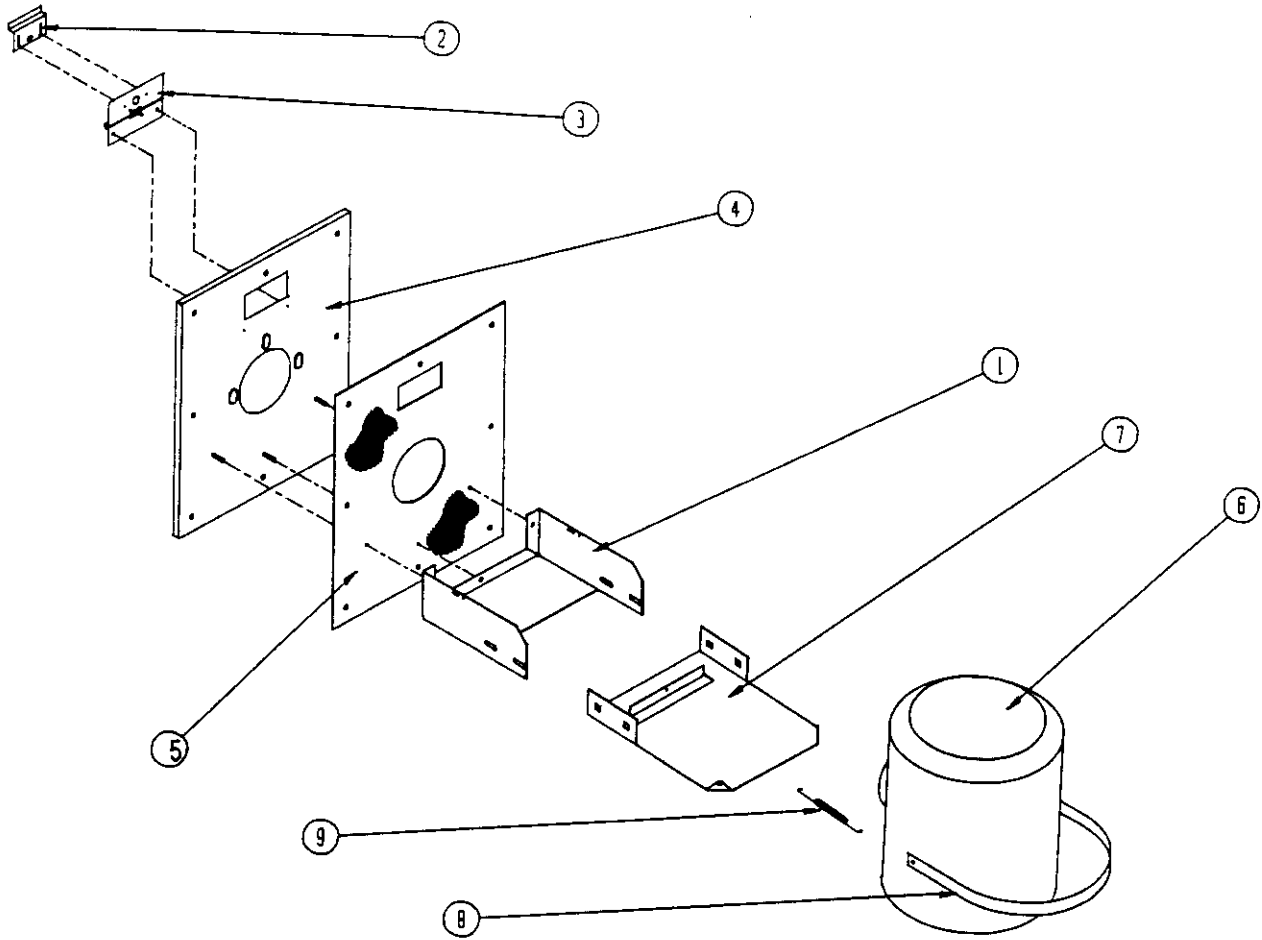


BURNER COMPONENTS

| Dwg. No. | Bard Part No. | Supplier Part No. | Description                                   | ELR085D36C | FLR110D48C | FLR140D60C |
|----------|---------------|-------------------|---|------------|------------|------------|
| 1        | 9022-003      | F3                | Head  | X          | X          |            |
| 1        | 9022-034      | F4                | Head  |            |            | X          |
| 2        | 9022-019      | 51236009BK        | Air Tube and Flange Assy.<br>5-1/2" Insertion | X          | X          | X          |
| 3        | 9022-056      | 7022U             | Primary Control                               | X          | X          | X          |
| 4        | 9022-007      | 571801            | Bulkhead Fitting                              | X          | X          | X          |
| 5        | 9022-008      | 5636              | Connector Tube                                | X          | X          | X          |
| 6        | 9022-009      | 2256              | Pump Outlet Elbow                             | X          | X          | X          |
| 7        | 9022-010      | 2460U             | Pump, Single Stage                            | X          | X          | X          |
| 8        | 9022-011      | 2454              | Coupling                                      | X          | X          | X          |
| 9        | 9022-012      | 2459U             | Blower  | X          | X          | X          |
| 10       | 9022-013      | 2456U             | Motor 1/7 HP 3450 RPM                         | X          | X          | X          |
| 11       | 9022-054      | 7006U             | Cad Cell                                      | X          | X          | X          |
| 12       | 9022-024      | 3616              | Mounting Flange Gasket                        | X          | X          | X          |
| 13       | 9022-015      | NL72YH            | Nozzle Line Electrode Assembly                | X          | X          | X          |
| 14       | 9022-017      | 5780              | Electrode Insulator Assembly                  | X          | X          | X          |
| 15       | 9011-001      |                   | Nozzle .75 GPH 80 degree A                    | X          |            |            |
| 15       | 9011-003      |                   | Nozzle 1.00 GPH 80 degree A                   |            | X          |            |
| 15       | 9011-006      |                   | Nozzle 1.25 GPH 80 degree A                   |            |            | X          |
| 16       | 9022-016      | 213U              | Nozzle Adapter, Single                        | X          | X          | X          |
| 17       | 9022-023      | 3384P             | Static Plate 3-3/8"                           | X          | X          |            |
| 17       | 9022-035      | 3383P             | Static Plate 2-3/4"                           |            |            | X          |
| 18       | 9022-018      | 3666              | Bulkhead Fitting Locknut                      | X          | X          | X          |
| 19       | 9022-057      | 2442U             | Ignition Transformer                          | X          | X          | X          |
| 20       | 9022-058      | 5770              | Electrical Box Kit                            | X          | X          | X          |
| 21       | 9022-055      | 31838             | Power Cord                                    | X          | X          | X          |

Date: 7-15-93  
Supersedes:

BURNER/COMBUSTION CHAMBER MOUNTING SYSTEM



Date: 7-15-93  
Supersedes:

2110-915  
Page: 7



BURNER/COMBUSTION CHAMBER MOUNTING SYSTEM

| Dwg. No. | Part No. | Description                 | FLR085D36C | FLR110D48C | FLR140D60C |
|----------|----------|-----------------------------|------------|------------|------------|
| 1        | S112-170 | Combustion Chamber Bracket  | X          | X          |            |
| 1        | S112-168 | Combustion Chamber Bracket  |            |            | X          |
| 2        | 142-026  | Inspection Door Cover Plate | X          | X          | X          |
| 3        | 142-027  | Inspection Door Hinge       | X          | X          | X          |
| 4        | 161-033  | Front Plate Assembly        | X          | X          |            |
| 4        | 161-034  | Front Plate Assembly        |            |            | X          |
| 5        | 1921-026 | Front Plate Gasket          | X          | X          |            |
| 5        | 1921-027 | Front Plate Gasket          |            |            | X          |
| 6        | 7090-005 | Combustion Chamber          | X          | X          |            |
| 6        | 7090-003 | Combustion Chamber          |            |            | X          |
| 7        | 112-160  | Bracket Extension           | X          | X          |            |
| 7        | 112-167  | Bracket Extension           |            |            | X          |
| 8        | 140-198  | Combustion Chamber Support  | X          | X          |            |
| 8        | 140-199  | Combustion Chamber Support  |            |            | X          |
| 9        | 5401-004 | Stainless Steel Spring      | X          | X          | X          |

Date: 7-15-93  
Supersedes:

